

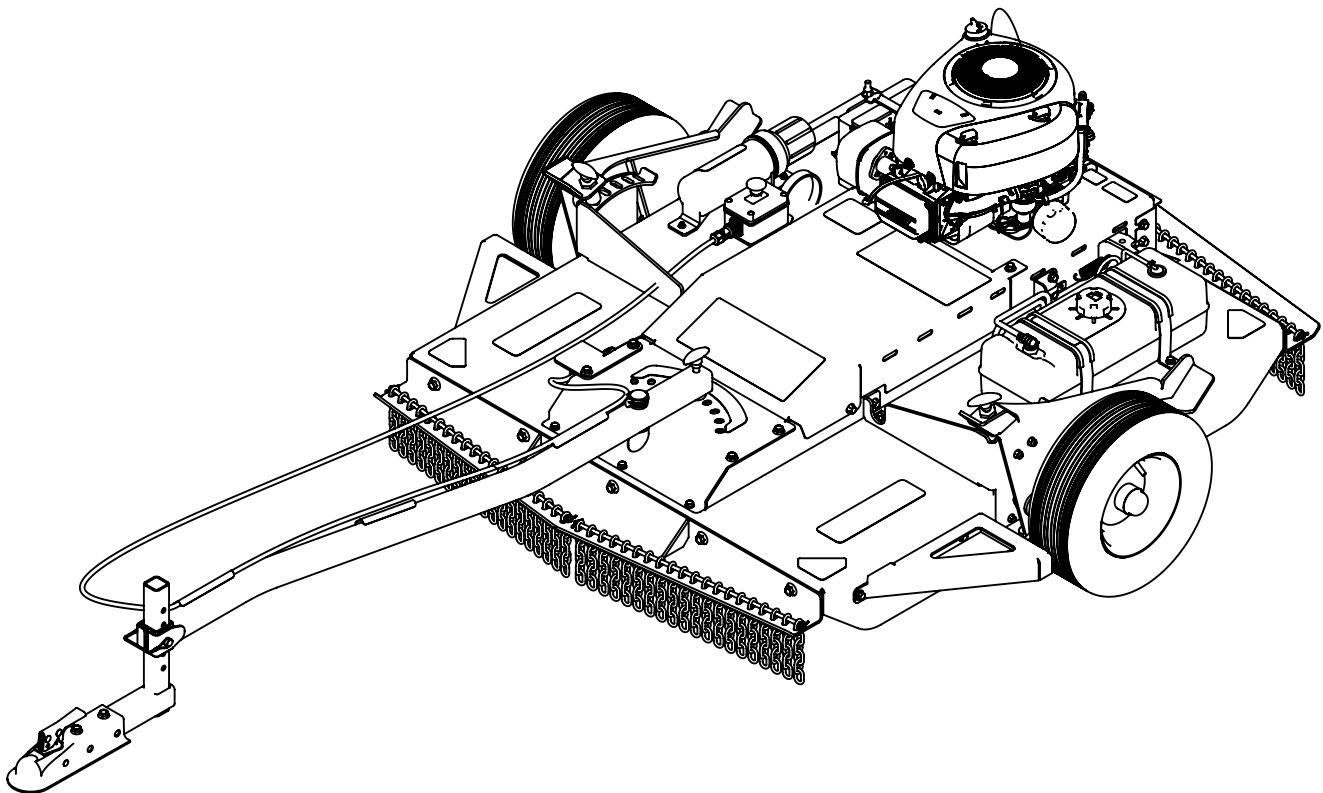
Groundbreaking Power Equipment

Illustrated Parts Breakdown
Illustration des pièces détachées

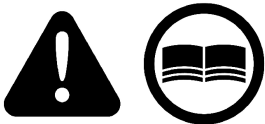
**Model Number,
Numéros de modèle :**
44751

ENGLISH
FRANÇAIS

S/N



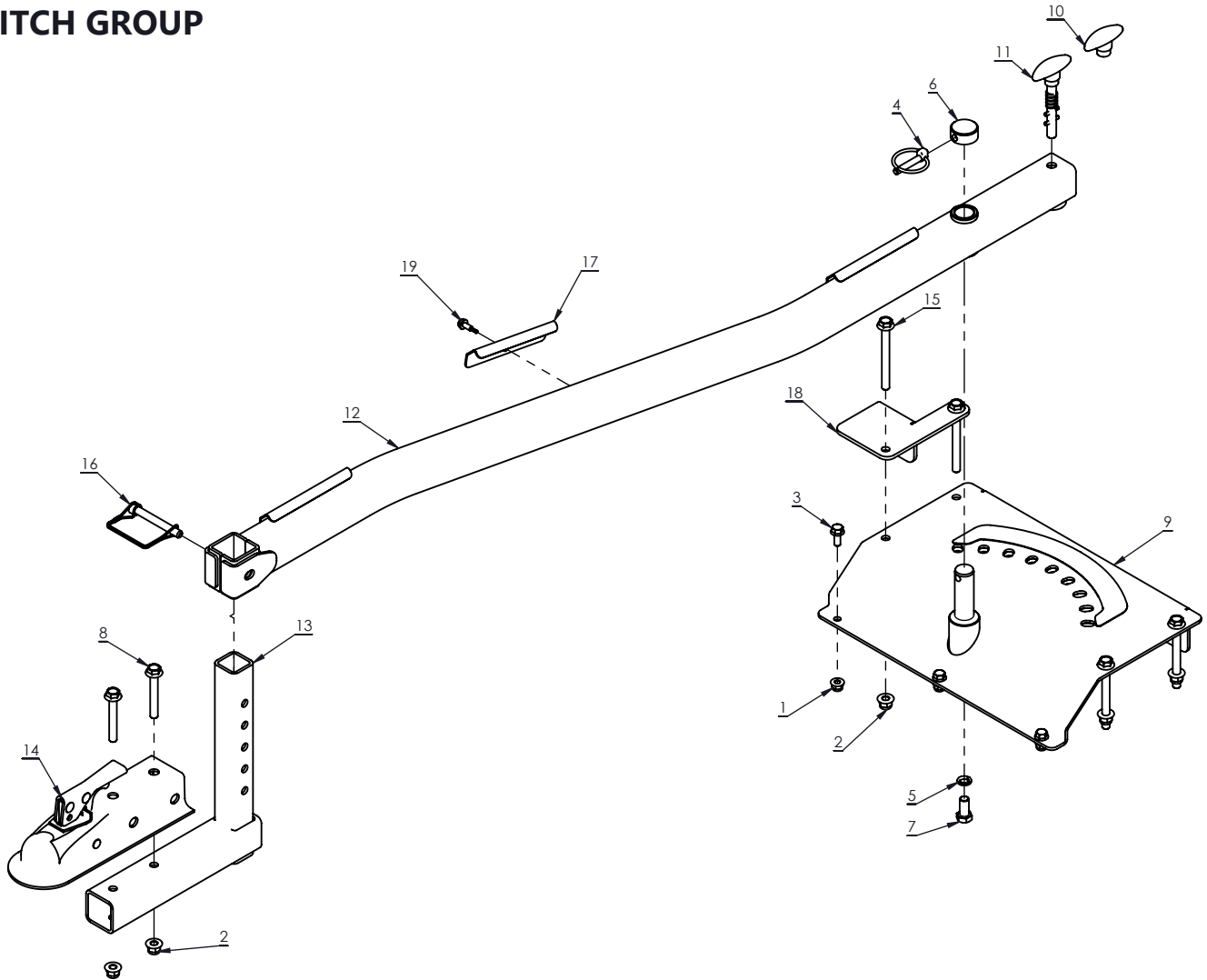
© 2025 Ardisam, Inc.
All Rights Reserved
Tous droits réservés
P/N: 49538
SVC: 05852
ECN:14320 14320
REV 2: 2025-10-07



www.getearthquake.com - (800) 345-6007

! THIS INSTRUCTION BOOKLET CONTAINS IMPORTANT SAFETY INFORMATION. PLEASE READ AND KEEP FOR FUTURE REFERENCE.
CE LIVRET D'INSTRUCTIONS CONTIENT DES INFORMATIONS IMPORTANTES SUR LA SÉCURITÉ. VEUILLEZ LE LIRE ET LE CONSERVER POUR TOUTE CONSULTATION EXTÉRIEURE.

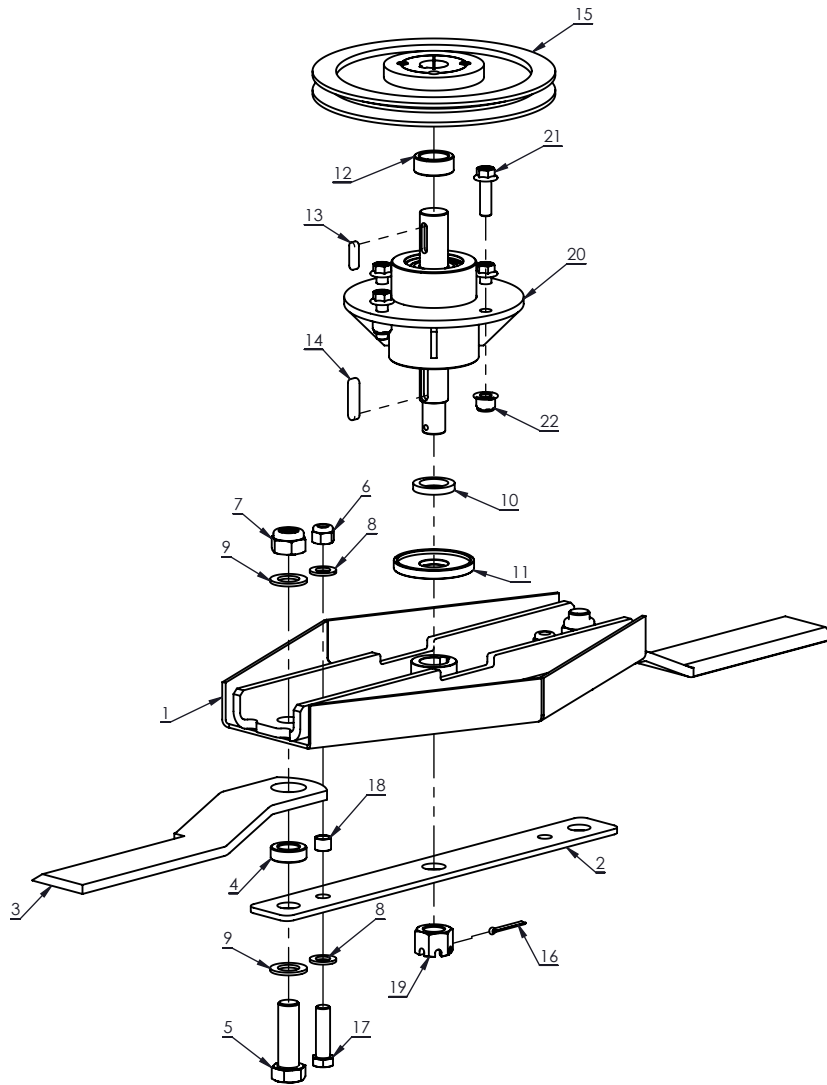
HITCH GROUP



| REF./REP. | PART NO./° RÉF. | DESCRIPTION | QTY./QTÉ |
|-----------|-----------------|---------------|----------|
| 1 | 16400 | NUT M8 | 3 |
| 2 | 16903 | NUT M10 | 6 |
| 3 | 18106 | BOLT M8 X 20 | 3 |
| 4 | 18847 | LINCH PIN | 1 |
| 5 | 21615 | WASHER M12 | 1 |
| 6 | 21647 | CAP | 1 |
| 7 | 21648 | BOLT M12 X 25 | 1 |
| 8 | 27517 | BOLT M10 X 70 | 2 |
| 9 | 29238 | TONGUE MOUNT | 1 |

| REF./REP. | PART NO./° RÉF. | DESCRIPTION | QTY./QTÉ |
|-----------|-----------------|-----------------------|----------|
| 10 | 29311 | HANDLE | 1 |
| 11 | 29314 | LATCH PIN WITH HANDLE | 1 |
| 12 | 41357 | TONGUE | 1 |
| 13 | 41364 | HITCH MOUNT | 1 |
| 14 | 41394 | BALL COUPLER HITCH | 1 |
| 15 | 41399 | BOLT M10 X 100 | 4 |
| 16 | 42894 | CLEVIS PIN | 1 |
| 17 | 49307 | CABLE HOLD DOWN | 3 |
| 18 | 49309 | HARNES MOUNT | 1 |
| 19 | 49311 | SCREW M6.3 X 25 | 3 |

BLADE GROUP

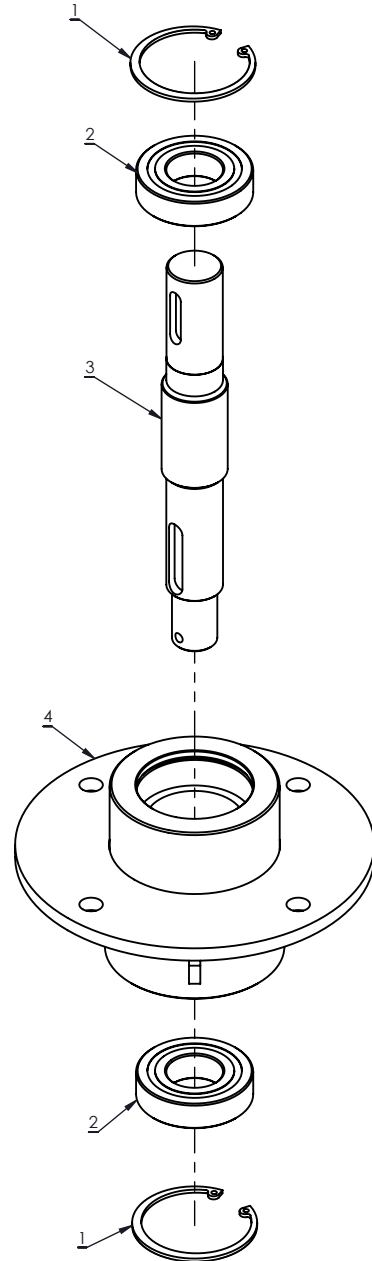


| REF./REP. | PART NO./° REF. | DESCRIPTION | QTY./QTE |
|-----------|-----------------|---------------|----------|
| 1 | 21664 | BLADE MOUNT | 1 |
| 2 | 21665 | BLADE STRAP | 1 |
| 3 | 21666 | BLADE | 2 |
| 4 | 21667 | BUSHING | 2 |
| 5 | 21669 | BOLT M22 X 70 | 2 |
| 6 | 21670 | NUT M14 | 2 |
| 7 | 21671 | NUT M22 | 2 |
| 8 | 21673 | WASHER M14 | 4 |
| 9 | 21674 | WASHER M22 | 4 |
| 10 | 21685 | SPACER | 1 |
| 11 | 21686 | CAP | 1 |

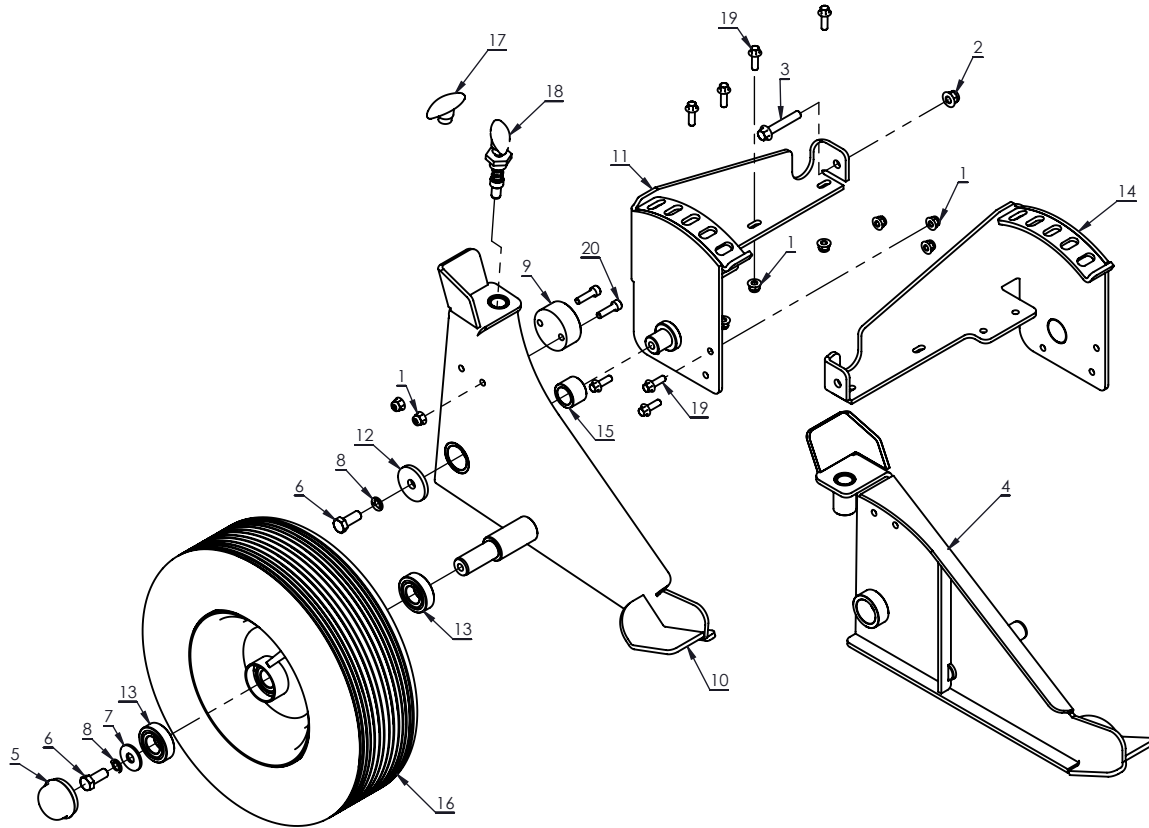
| REF./REP. | PART NO./° REF. | DESCRIPTION | QTY./QTE |
|-----------|-----------------|---------------------------------|----------|
| 12 | 21687 | SPACER | 1 |
| 13 | 21691 | KEY | 1 |
| 14 | 21692 | KEY | 1 |
| 15 | 21693 | PULLEY | 1 |
| 16 | 21715 | COTTER PIN | 1 |
| 17 | 33957 | BOLT M14 X 55 | 2 |
| 18 | 38243 | SPACER | 2 |
| 19 | 38244 | NUT M24 | 1 |
| 20 | 49549 | COMPLETE BLADE SPINDLE ASSEMBLY | 1 |
| 21 | 49600 | BOLT M12 X 40 | 4 |
| 22 | 49601 | NUT M12 | 4 |

SPINDLE GROUP

| REF./ REP. | PART NO. /° RÉF. | DESCRIPTION | QTY. /QTÉ |
|---------------|---------------------|-----------------------|--------------|
| 1 | 21684 | SNAP RING | 2 |
| 2 | 34973 | BEARING | 2 |
| 3 | 35869 | SPINDLE SHAFT | 1 |
| 4 | 49547 | BLADE BEARING HOUSING | 1 |



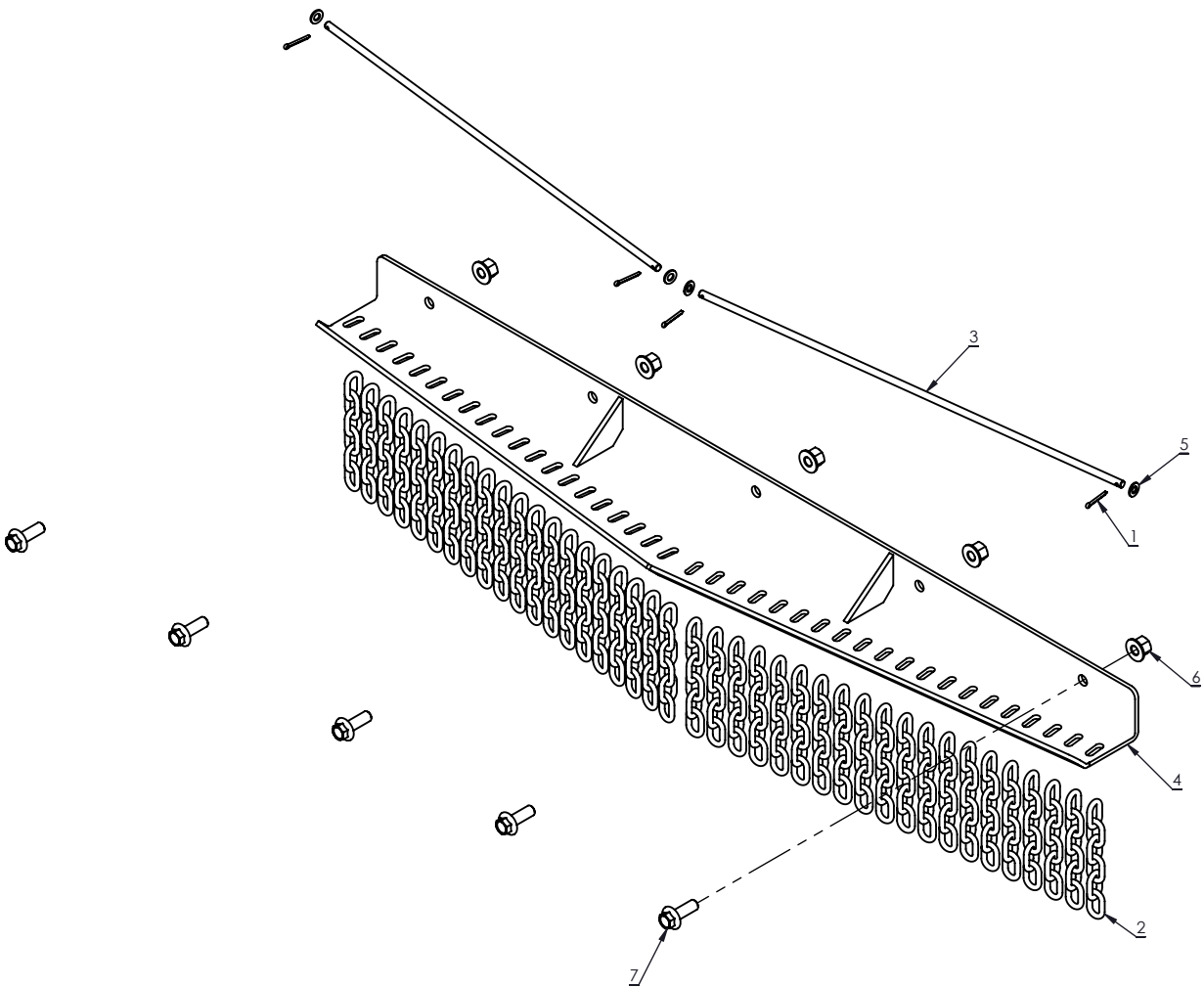
WHEEL GROUP



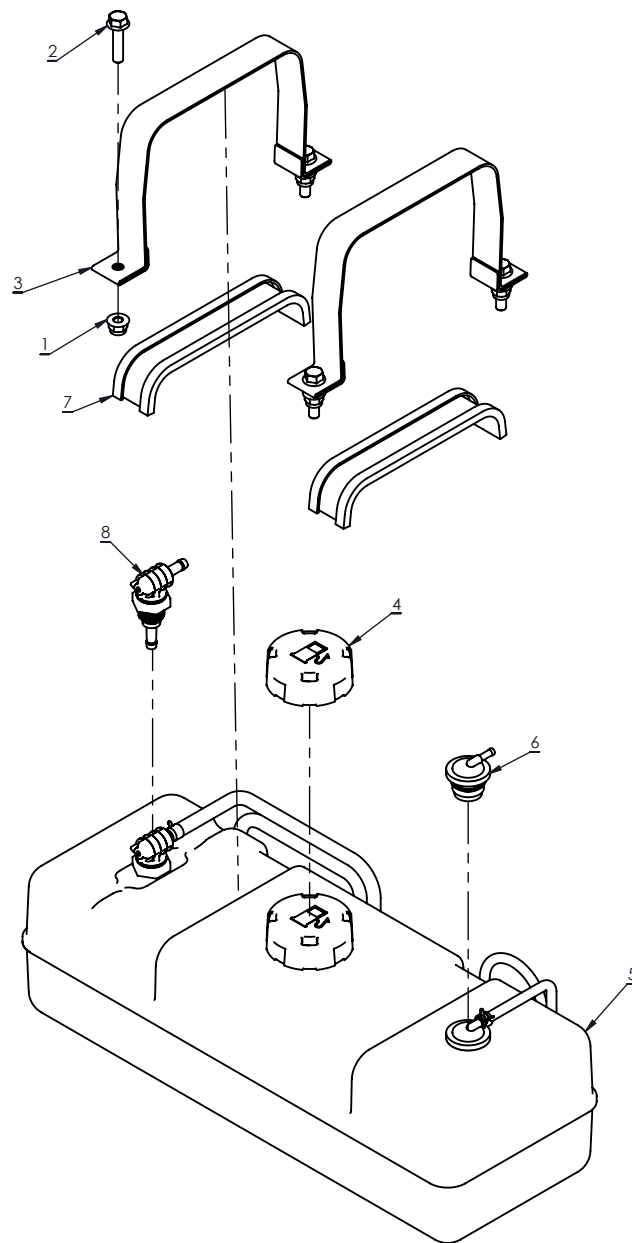
| REF./REP. | PART NO./° RÉF. | DESCRIPTION | QTY./QTÉ |
|-----------|-----------------|------------------|----------|
| 1 | 16400 | NUT M8 | 9 |
| 2 | 16903 | NUT M10 | 1 |
| 3 | 19927 | BOLT M10 X 60 | 1 |
| 4 | 21602 | WHEEL SPINDLE RH | 1 |
| 5 | 21611 | CAP | 1 |
| 6 | 21613 | BOLT M12 X 30 | 2 |
| 7 | 21614 | WASHER M12 | 1 |
| 8 | 21615 | WASHER M12 | 2 |
| 9 | 21616 | SPACER PUCK | 1 |
| 10 | 21623 | WHEEL SPINDLE LH | 1 |

| REF./REP. | PART NO./° RÉF. | DESCRIPTION | QTY./QTÉ |
|-----------|-----------------|---------------------|----------|
| 11 | 21635 | SPINDLE MOUNT LH | 1 |
| 12 | 21641 | WASHER M12 | 1 |
| 13 | 22043 | BEARING | 2 |
| 14 | 23493 | SPINDLE MOUNT RH | 1 |
| 15 | 25457 | BUSHING | 1 |
| 16 | 29262 | WHEEL WITH BEARINGS | 1 |
| 17 | 29311 | HANDLE | 1 |
| 18 | 29313 | LATCH WITH HANDLE | 1 |
| 19 | 35893 | BOLT M8 X 25 | 7 |
| 20 | 40527 | BOLT M8 X 30 | 2 |

BRUSH GUARD GROUP

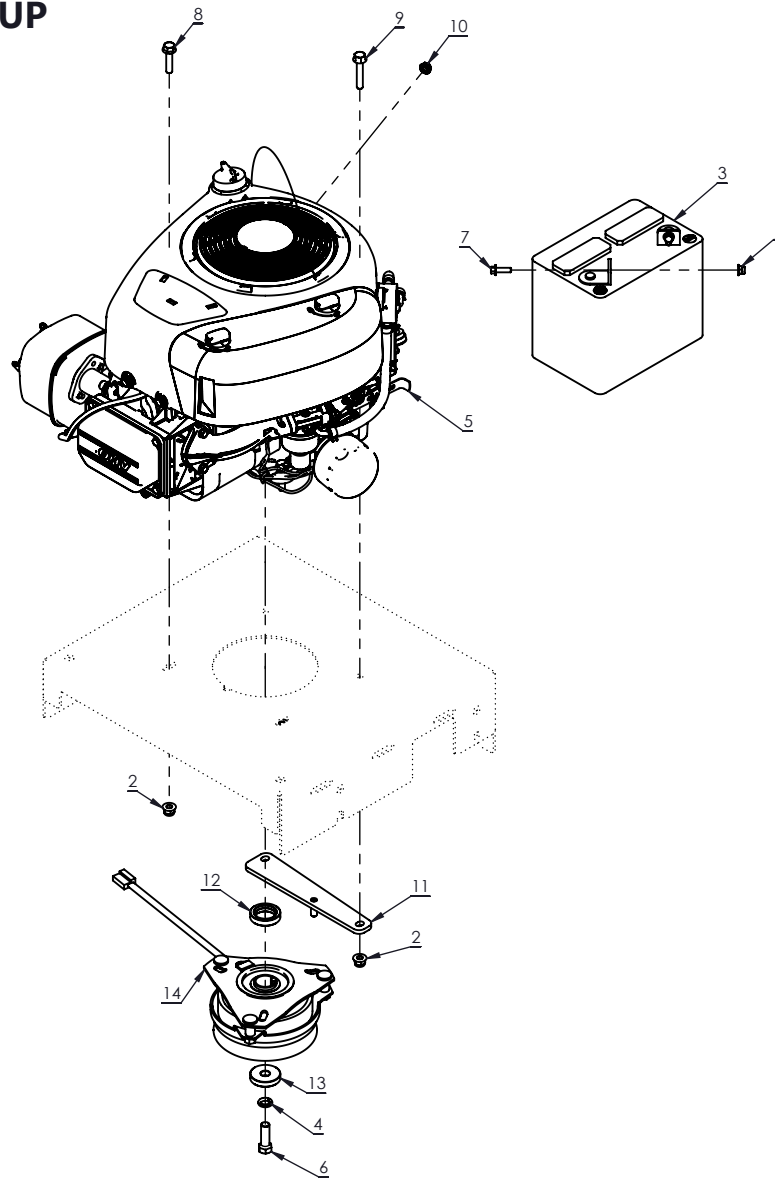


| REF./ REP. | PART NO. /° RÉF. | DESCRIPTION | QTY. /QTÉ |
|---------------|---------------------|------------------------|--------------|
| 1 | 21304 | COTTER PIN | 4 |
| 2 | 21354 | CHAIN | 40 |
| 3 | 21374 | ROD | 2 |
| 4 | 29254 | BRUSH GUARD FRONT/REAR | 1 |
| 5 | 400024 | WASHER M8 | 4 |
| 6 | 41340 | NUT M12 | 5 |
| 7 | 41341 | BOLT M12 X 35 | 5 |

FUEL TANK GROUP


| REF./ REP. | PART NO. /° RÉF. | DESCRIPTION | QTY. /QTÉ |
|---------------|---------------------|--|--------------|
| 1 | 16400 | NUT M8 | 4 |
| 2 | 34902 | BOLT M8 X 35 | 4 |
| 3 | 49218 | FUEL TANK STRAP | 2 |
| 4 | 49353 | FUEL CAP | 1 |
| 5 | 49354 | COMPLETE FUEL TANK ASSEMBLY WITH CAP AND FITTINGS | 1 |
| 6 | 49355 | ROLLOVER VALVE | 1 |
| 7 | 49356 | STRAP CUSHION | 2 |
| 8 | 51259 | FUEL OUTLET ASSEMBLY | 1 |

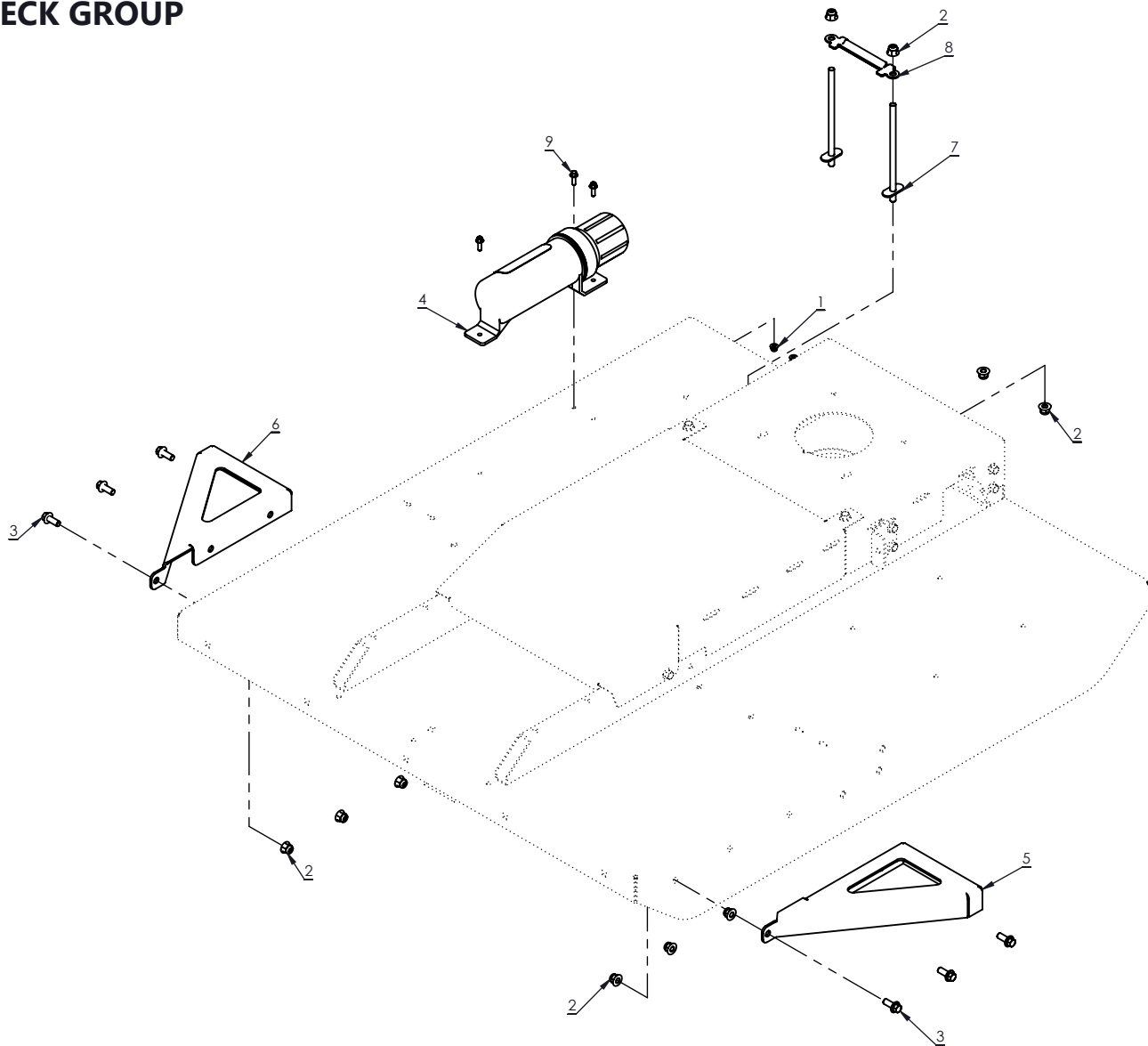
ENGINE DRIVE GROUP



| REF./REP. | PART NO./° RÉF. | DESCRIPTION | QTY./QTÉ |
|-----------|-----------------|-------------------|----------|
| 1 | 13599 | NUT M6 | 2 |
| 2 | 16400 | NUT M8 | 4 |
| 3 | 21574 | BATTERY | 1 |
| 4 | 21615 | WASHER M12 | 1 |
| 5 | 24569 | ENGINE | 1 |
| 6 | 34299 | BOLT 7/16 X 1-3/8 | 1 |
| 7 | 34551 | BOLT M6 X 20 | 2 |

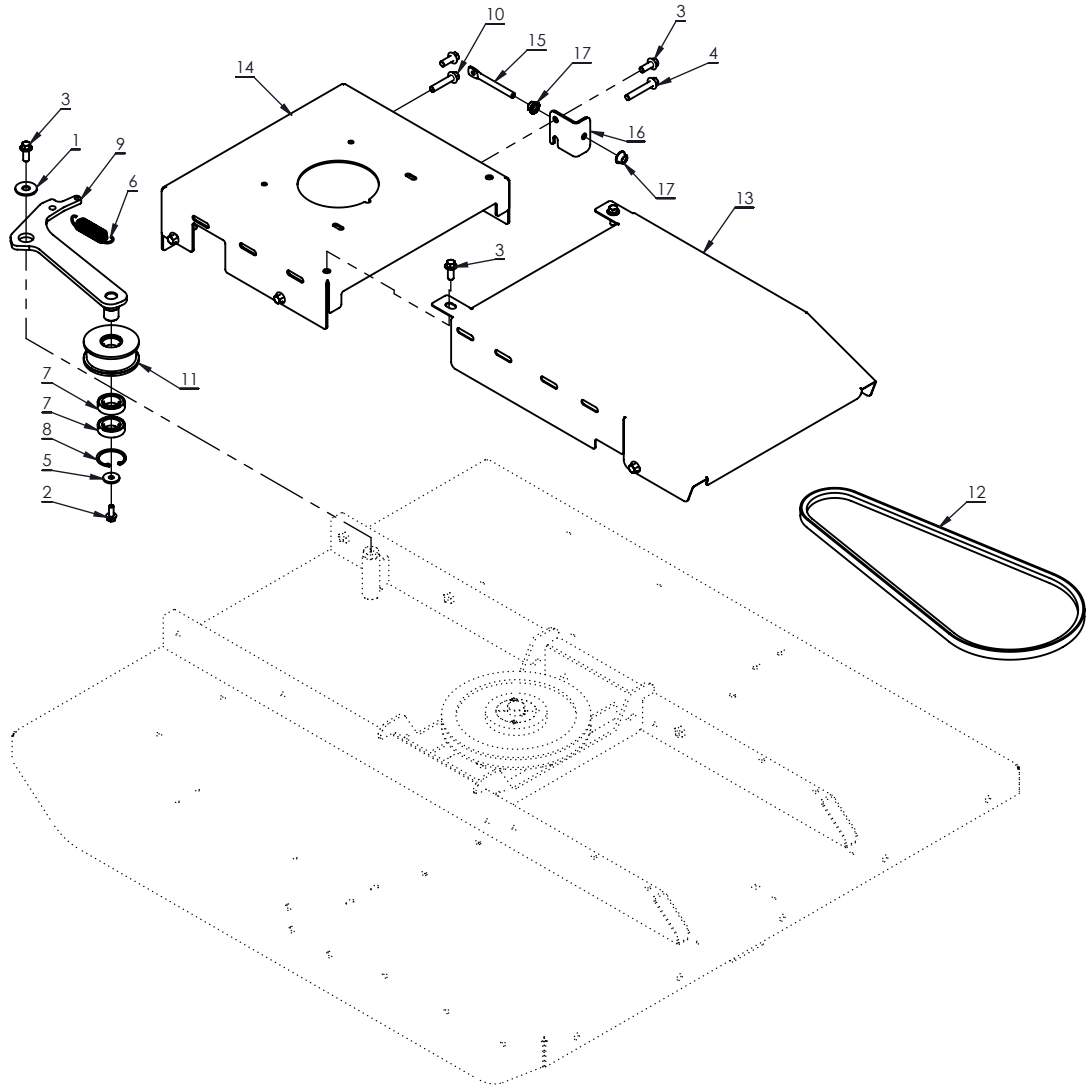
| REF./REP. | PART NO./° RÉF. | DESCRIPTION | QTY./QTÉ |
|-----------|-----------------|--------------------------|----------|
| 8 | 34902 | BOLT M8 X 35 | 2 |
| 9 | 35226 | BOLT M8 X 45 | 2 |
| 10 | 43908 | NUT 1/4 | 1 |
| 11 | 44880 | CLUTCH TORQUE STOP PLATE | 1 |
| 12 | 47758 | CLUTCH SPACER UPPER | 1 |
| 13 | 47759 | CLUTCH WASHER LOWER | 1 |
| 14 | 49325 | CLUTCH | 1 |

DECK GROUP



| REF./ REP. | PART NO. /° RÉF. | DESCRIPTION | QTY. /QTÉ |
|---------------|---------------------|----------------|--------------|
| 1 | 13599 | NUT M6 | 3 |
| 2 | 16903 | NUT M10 | 10 |
| 3 | 19124 | BOLT M10 X 25 | 6 |
| 4 | 21655 | CANISTER | 1 |
| 5 | 29221 | WHEEL GUARD LH | 1 |
| 6 | 29222 | WHEEL GUARD RH | 1 |
| 7 | 29420 | BATTERY POST | 2 |
| 8 | 34294 | BATTERY STRAP | 1 |
| 9 | 34551 | BOLT M6 X 20 | 3 |

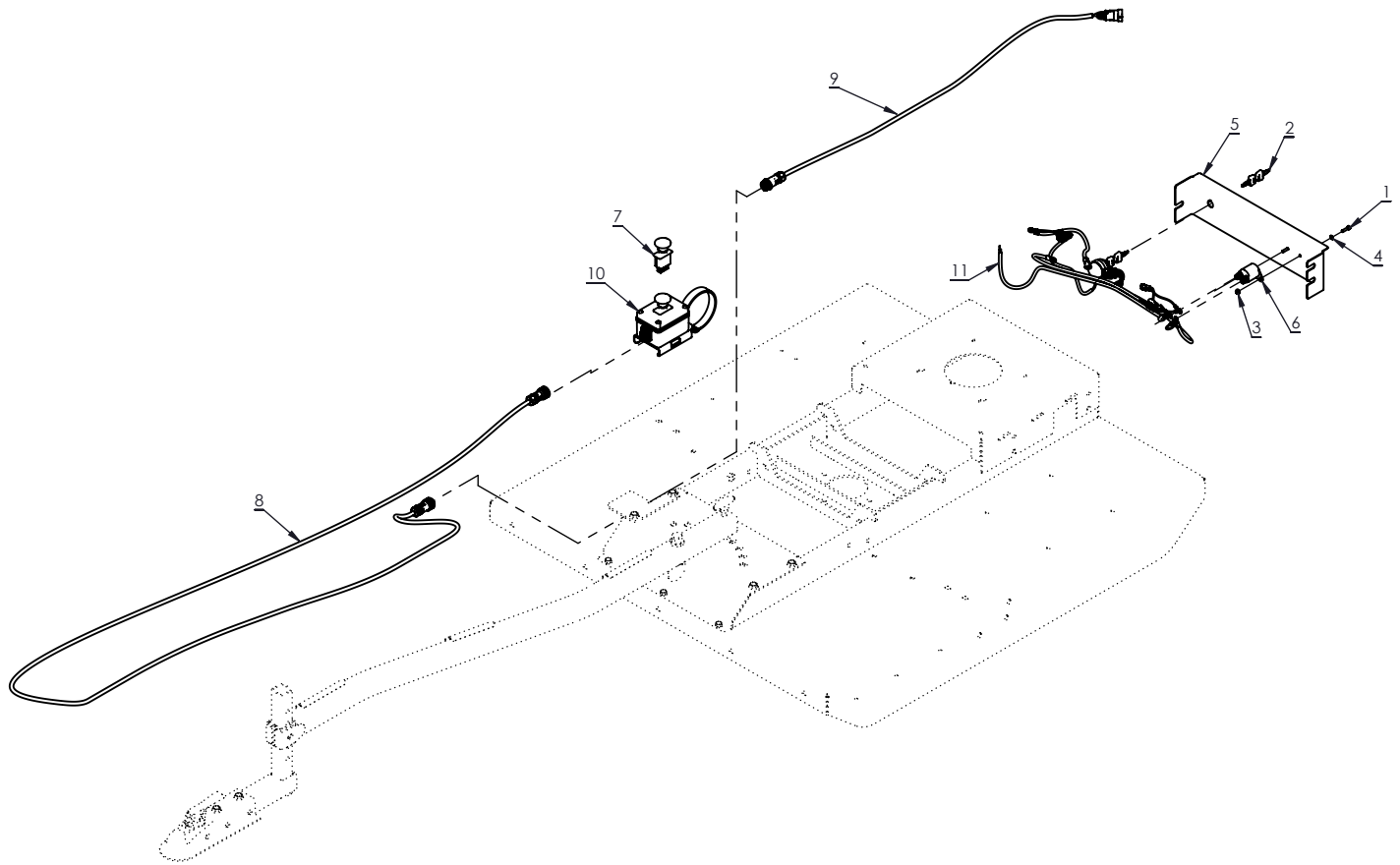
BELT GROUP



| REF./REP. | PART NO./° RÉF. | DESCRIPTION | QTY./QTÉ |
|-----------|-----------------|---------------|----------|
| 1 | 10811 | WASHER M12 | 1 |
| 2 | 18106 | BOLT M8 X 20 | 1 |
| 3 | 19124 | BOLT M10 X 25 | 5 |
| 4 | 19927 | BOLT M10 X 60 | 1 |
| 5 | 21595 | WASHER M9 | 1 |
| 6 | 21660 | SPRING | 1 |
| 7 | 21702 | BEARING | 2 |
| 8 | 33985 | SNAP RING | 1 |

| REF./REP. | PART NO./° RÉF. | DESCRIPTION | QTY./QTÉ |
|-----------|-----------------|----------------------|----------|
| 9 | 41318 | TENSIONER ARM | 1 |
| 10 | 41338 | BOLT M10 X 50 | 5 |
| 11 | 41849 | PULLEY WITH BEARINGS | 1 |
| 12 | 42942 | V-BELT | 1 |
| 13 | 45670 | BELT COVER | 1 |
| 14 | 45672 | ENGINE MOUNT | 1 |
| 15 | 45673 | TENSIONER BOLT | 1 |
| 16 | 49370 | SPRING BRACKET | 1 |
| 17 | 49425 | NUT M10X1.5 HSF | 2 |

ELECTRICAL GROUP



| REF./ REP. | PART NO. /° RÉF. | DESCRIPTION | QTY. /QTÉ |
|---------------|---------------------|----------------------------------|--------------|
| 1 | 22183 | BOLT M5 X 20 | 2 |
| 2 | 28958 | KEYS | 1 |
| 3 | 3248 | NUT M5 | 2 |
| 4 | 3308 | WASHER M5 | 2 |
| 5 | 41851 | SWITCH PANEL | 1 |
| 6 | 4660 | SOLENOID | 1 |
| 7 | 49324 | CLUTCH SWITCH | 1 |
| 8 | 51183 | HARNES FROM MOWER TO CONTROL BOX | 1 |
| 9 | 51185 | MOWER DECK HARNES | 1 |
| 10 | 51186 | CONTROL BOX COMPLETE ASSEMBLY | 1 |
| 11 | 51658 | KEY SWITCH AND CABLES | 1 |