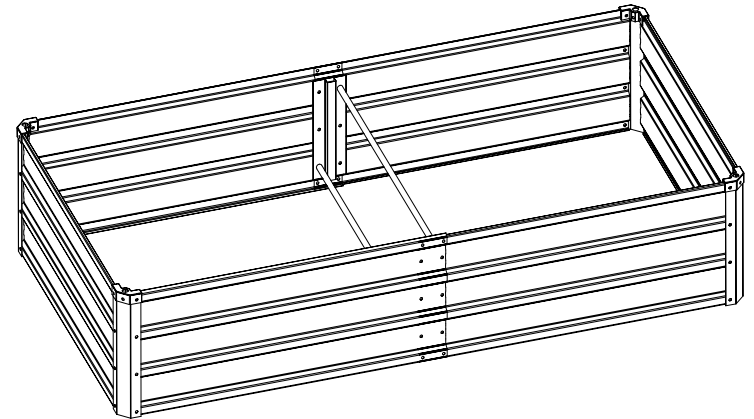




INSTRUCTION MANUAL



OUTERPRO CORP.

201 E Center st ste 112 #3500,
Anaheim CA 92805

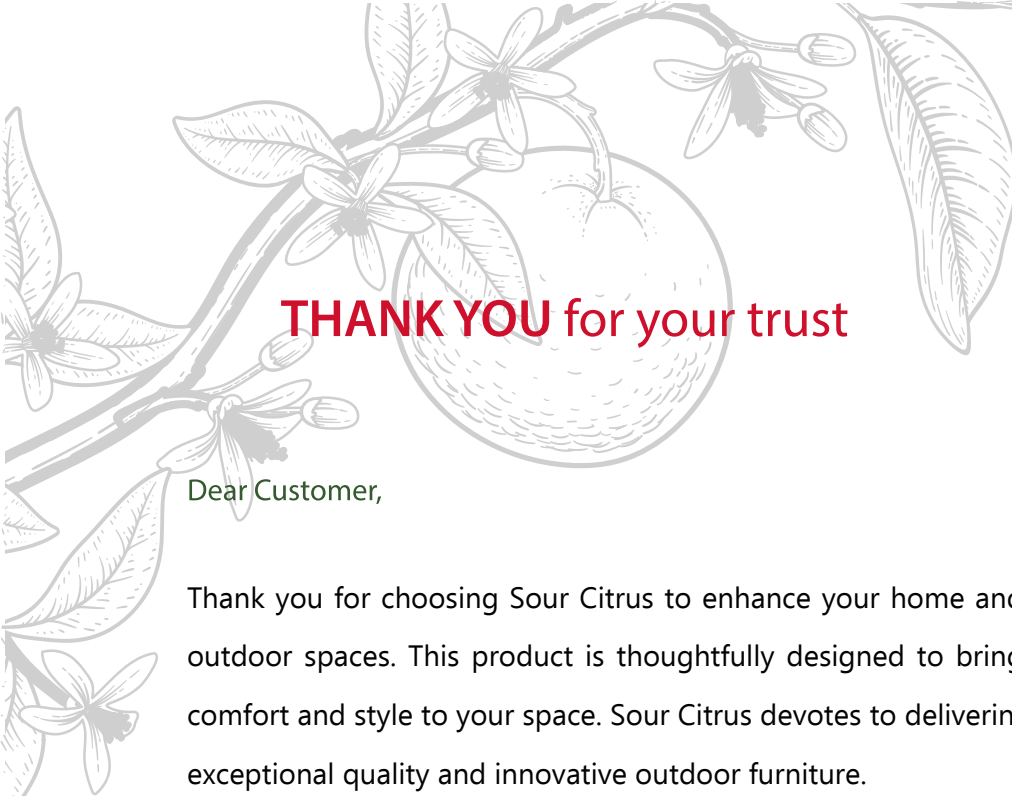
www.sourcitrusliving.com

If you have any questions, please contact us:

 Service@outerprocorp.com

Outdoor Plant Bed

Model: HC61-1



THANK YOU for your trust




Dear Customer,


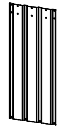








Thank you for choosing Sour Citrus to enhance your home and outdoor spaces. This product is thoughtfully designed to bring comfort and style to your space. Sour Citrus devotes to delivering exceptional quality and innovative outdoor furniture.

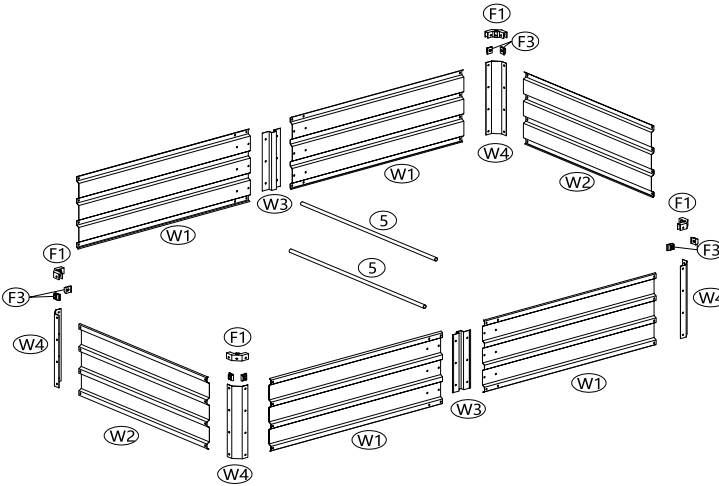
Before assembling or using this product, please inspect it for any damages and ensure that all parts and hardware are included. If you notice any issues, please refrain from using the item and contact our customer service at service@outerprocorp.com. Should any parts be missing, kindly reach out to us, and we will promptly provide the necessary items.

This furniture is suitable for both indoor and outdoor settings. Please read and follow the assembly instructions carefully, and use the product as intended in this manual. Sour Citrus is not responsible for any damage resulting from improper use.

INSTALLATION STEPS

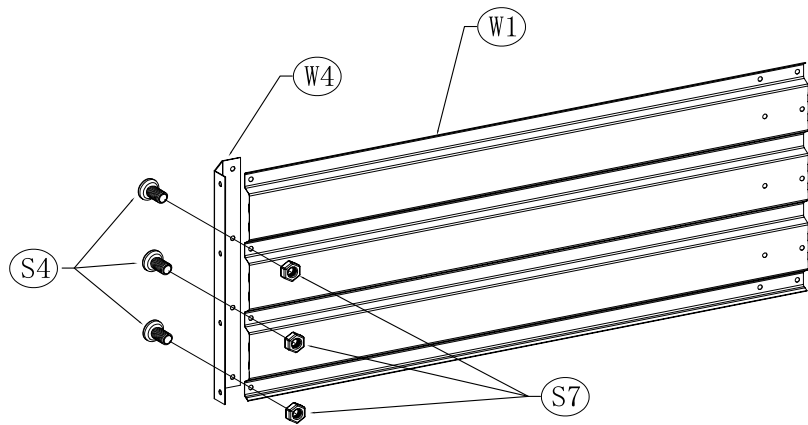
Tool used:   

NO.	PART.	Qty.
5		2
W1		4
W2		2
W3		2
W4		4
S4		44
S6		8
S7		48
F1		4
F2		8



ASSEMBLY INSTRUCTIONS

We need: 1 long side panel (W1)
1 corner bracket (W4)
3 bolts (S4)
3 nuts (S7)

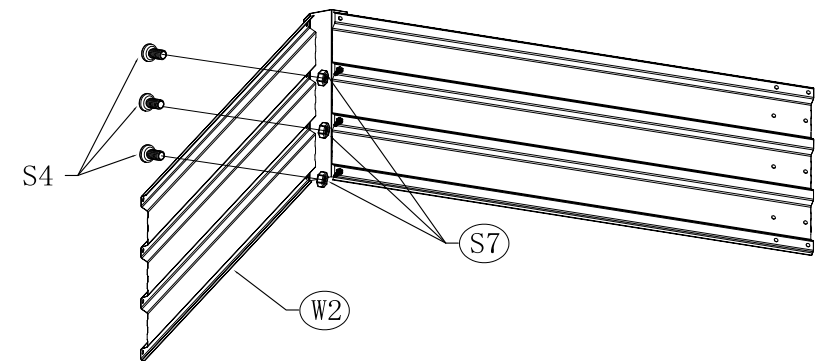


STEP 1

Attach the long side panel (W1) to the corner bracket (W4) with 3 bolts (S4) and 3 nuts (S7).
Fije el panel lateral largo (W1) al soporte de esquina (W4) con 3 pernos (S4) y 3 tuercas (S7).

ASSEMBLY INSTRUCTIONS

We need: 1 short side panel (W2)
3 bolts (S4)
3 nuts (S7)

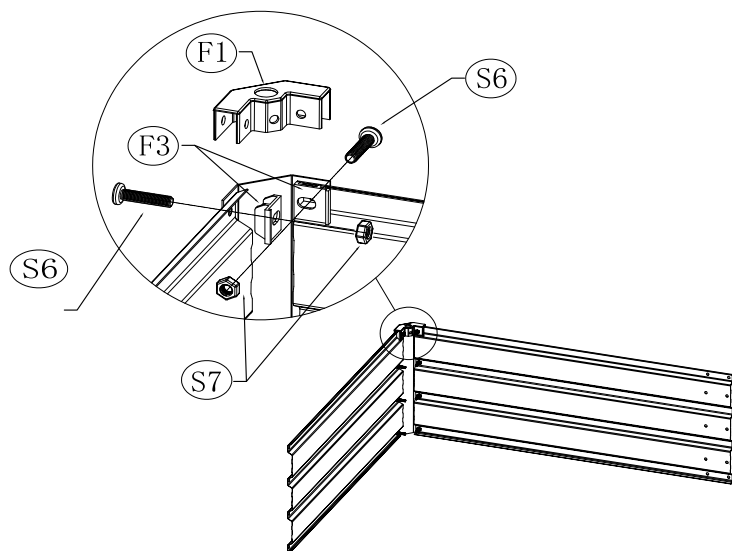


STEP 2

Attach the short side panel (W2) to the corner bracket (W4) using 3 bolts (S4) and 3 nuts (S7).
Fije el panel lateral corto (W2) al soporte de esquina (W4) utilizando 3 pernos (S4) y 3 tuercas (S7).

ASSEMBLY INSTRUCTIONS

We need: 1 corner connector (F1)
2 connectors (F3)
2 bolts (S6)
2 nuts (S7)



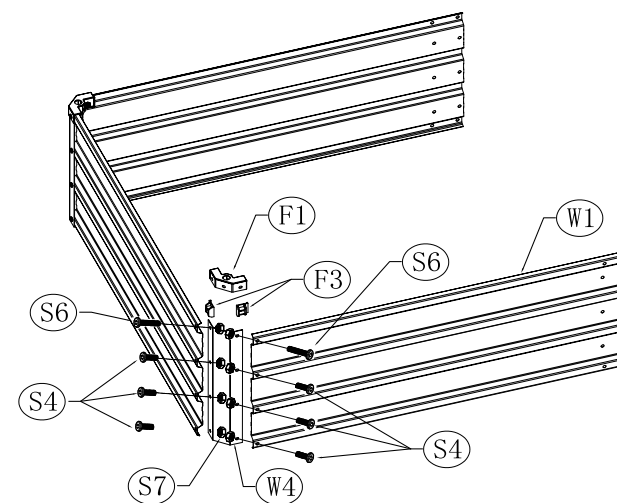
STEP 3

Fix the corner bracket (W4) and two side panels (W1 & W2) with 1 corner connector (F1), 2 connectors (F3), 2 bolts (S6), and 2 nuts (S7).

Fije el soporte de esquina (W4) y los dos paneles laterales (W1 y W2) con 1 conector de esquina (F1), 2 conectores (F3), 2 pernos (S6) y 2 tuercas (S7).

ASSEMBLY INSTRUCTIONS

We need: 1 long side panel (W1)
1 corner bracket (W4)
1 corner connector (F1)
2 connectors (F3)
6 bolts (S4)
8 nuts (S7)
2 bolts (S6)



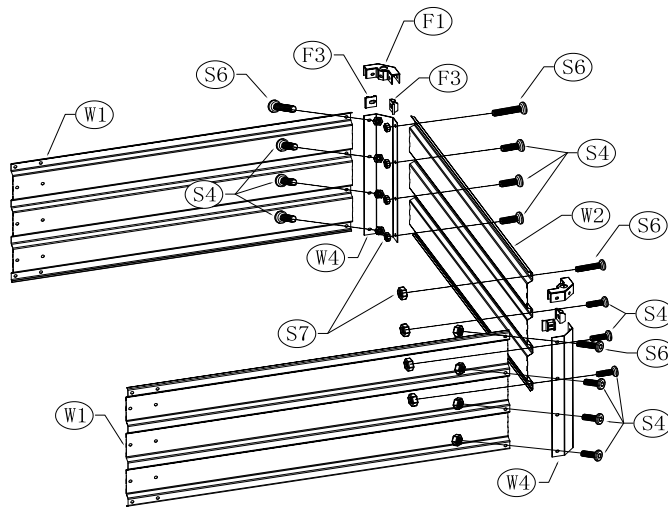
STEP 4

Attach the long side panel (W1) to the corner bracket (W4) with 6 bolts (S4) and 6 nuts (S7).
Fix the corner bracket (W4) and two side panels (W1&W2) with 1 corner connector (F1), 2 connectors (F3), 2 bolts (S6), and 2 nuts (S7).

Fije el panel lateral largo (W1) al soporte de esquina (W4) con 6 pernos (S4) y 6 tuercas (S7).
Fije el soporte de esquina (W4) y los dos paneles laterales (W1 y W2) con 1 conector de esquina (F1), 2 conectores (F3), 2 pernos (S6) y 2 tuercas (S7).

ASSEMBLY INSTRUCTIONS

We need: 2 long side panels (W1)
1 short side panel (W2)
2 corner brackets (W4)
2 corner connectors (F1)
4 connectors (F3)
12 bolts (S4)
4 bolts (S6)
16 nuts (S7)



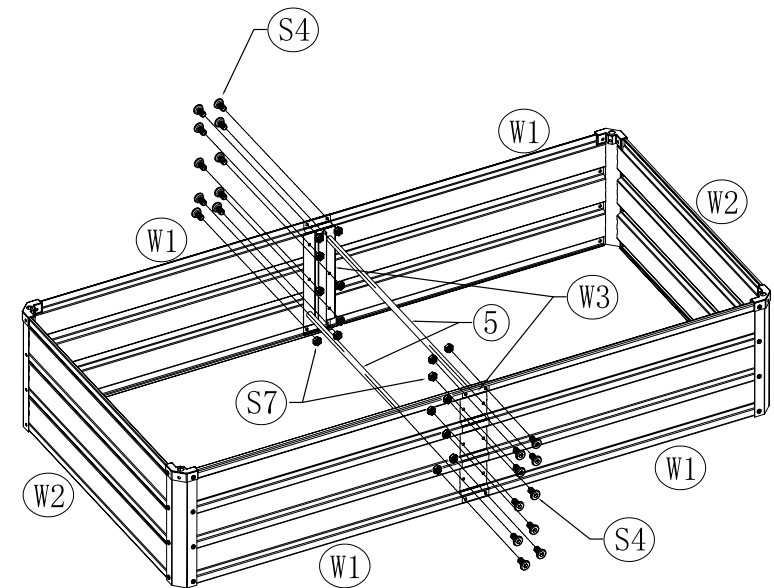
STEP 5

Attach 2 corner brackets (W4) and 3 side panels (W1&W2) with 12 bolts (S4) and 12 nuts (S7).
Fix 2 corner brackets (W4) and 3 side panels (W1&W2) with 2 corner connectors (F1), 4 connectors (F3), 4 bolts (S6), and 4 nuts (S7).

Fije 2 escuadras de esquina (W4) y 3 paneles laterales (W1 y W2) con 12 pernos (S4) y 12 tuercas (S7).
Asegure 2 escuadras de esquina (W4) y 3 paneles laterales (W1 y W2) con 2 conectores de esquina (F1), 4 conectores (F3), 4 pernos (S6) y 4 tuercas (S7).

ASSEMBLY INSTRUCTIONS

We need: 2 intermediate brackets (W3)
2 support rods (5)
20 bolts (S4)
16 nuts (S7)



STEP 6

Connect the 4 long panels (W1) with 2 intermediate brackets (W3) using 16 bolts (S4) and 16 nuts (S7).
Attach the 2 support rods (5) to the intermediate brackets (W3) with 4 bolts (S4).
Conecte los 4 paneles largos (W1) con 2 soportes intermedios (W3) utilizando 16 pernos (S4) y 16 tuercas (S7).
Fije las 2 varillas de soporte (5) a los soportes intermedios (W3) con 4 pernos (S4).

CARE AND MAINTENANCE

Follow the instructions for the product's material to ensure it stays in the best shape as long as possible. The information below is a general guideline. Don't hesitate to get in touch with us to learn more.

- Only rinse it thoroughly with clean water to wash away dirt and grime. Never use abrasive cleansers on the furniture since they can attack the surface and leave behind scratch marks.
- For stubborn grime and stains, use a soft sponge and mild soapy water. Then dry it with a cloth or paper towel.
- Check the stability of the screws, nuts, and nut caps before each use. Then, tighten them up after one to two months' use whenever required.
- Avoid improper use, and be careful not to scratch or damage the surface with sharp objects.
- When you move your furniture, lift it rather than pulling or pushing it to avoid damaging the floor, legs, and mounting.

CUSTOMER SERVICE

Thanks for purchasing Sour Citrus furniture. We are here to help you maximize your enjoyment and appreciation of it.

Please do not hesitate to contact our customer service if you have any questions regarding assembly or accessories.

Address: 201 E CENTER ST STE 112 #3500, ANAHEIM CA 92805.

E-mail: service@outerprocorp.com

