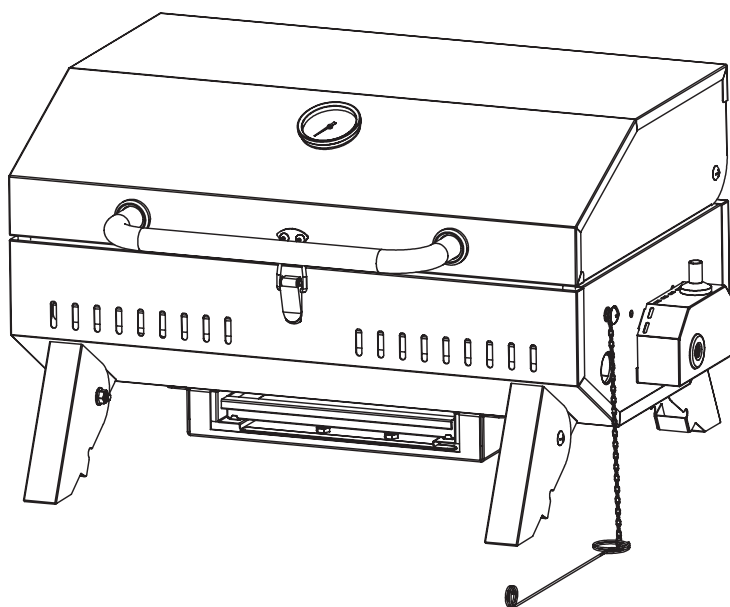




# INSTRUCTION MANUAL

## TABLE TOP PROPANE GRILL MODEL NO. GPT-1800S



**PLEASE RETAIN THIS INSTRUCTION MANUAL FOR FUTURE REFERENCE.**



Price Zone dba  
**International**

COMMERCE, CA 90040  
SUPPORT@GASONE.COM  
TOLL FREE: 1.800.698.5070  
CUSTOMER SERVICE HOURS:  
M-F: 9 AM-5 PM PST

**FOR CALIFORNIA CONSUMERS ONLY:**



**WARNING**

CANCER AND REPRODUCTIVE HARM.  
GO TO [WWW.P65WARNINGS.CA.GOV](http://WWW.P65WARNINGS.CA.GOV)



# TABLE OF CONTENTS

WARRANTY INFORMATION	2
SAFETY INFORMATION AND WARNINGS	3
INFORMATION ABOUT LP	4
MAINTENANCE AND CARE	6
OPERATION	8
PARTS LIST	9
ASSEMBLY	11

# WARRANTY INFORMATION

## LIMITED WARRANTY

GASONE warrants that for the period of one year this product will be free from defects in material and workmanship. GASONE, at its option, will repair or replace this product or any component of the product found to be defective during the warranty period. Replacement will be made with a new or remanufactured product of component. If the product is no longer available, replacement will be made with a similar product of equal or greater value. This is your exclusive warranty. This warranty is valid for the original retail purchaser from the date of initial retail purchase and is not transferable. Keep the original sales receipt. Proof of purchase is required to obtain warranty performance. GASONE dealers, service centers, or retail stores selling GASONE products do not have the right to alter, modify or in any way change the terms and conditions of this warranty.

This warranty does not cover normal wear of parts or damage resulting from any of the following: negligent use or misuse of the product, use contrary to the operating instructions, disassembly, repair or alteration by anyone other than GASONE or an authorized service center. Further, the warranty does not cover acts of God, such as fire, flood, hurricanes and tornados.

GASONE shall not be liable for any incident or consequential damages caused by the breach of any express or implied warranty or conditions. Except to the extent prohibited by applicable law, any implied warranty of merchantability or fitness for a particular purpose is limited in duration to the duration of the above warranty or conditions. Some states, provinces or jurisdictions do not allow the exclusion or limitation of incidental or consequential damages or limitations on how long an implied warranty lasts, so the above limitations or exclusion may not apply to you. This warranty gives you specific legal rights, and you may also have other rights that vary from state to state or province to province. How to obtain warranty service: do not return this product to the store. Call 1(800) 698-5070 or write us at GASONE, 6211 Randolph St. Commerce, CA 90040. Be prepared to give your name, address, model number, description of the problem, phone number, and proof of retail purchase (sales slip).

## DISCLAIMERS

Apart from the warranty and disclaimers as described in this warranty statement. There are explicitly no further warranty or voluntary declarations of liability given here which go beyond the statutory liability applying to us.

The present warranty statement also does not limit or exclude situations or claims. Where we have mandatory liability as prescribed by statute.

You assume the risk and liability for loss, damage, or injury to you and your property and/or to others and their property arising out of the misuse or abuse of the product or failure to follow instruction in the accompanying owner's manual.

This warranty applies to private single family home or apartment use only and does not apply to appliances used in commercial, communal, or multi-unit settings such as restaurants, hotels, resorts, or rental properties.

We may from time to time change the design of its products. Nothing contained in this warranty shall be construed as obligating to incorporate such design changes into previously manufactured products. Nor shall such changes be construed as an admission that previous designs were defective. This product is intended FOR OUTDOOR USE ONLY. DO NOT use indoors.

- **WARNING: ALWAYS** keep children and pets away from the product when in use.
- **NEVER** leave a burning fire unattended.
- **DANGER** of carbon monoxide poisoning - **NEVER** light this product or let it smoulder or cool down in confined spaces.
- **DO NOT** use this product in a tent, caravan, car, cellar, loft or on a boat.

# SAFETY INFORMATION AND WARNINGS

Statements are used throughout this Owner's Manual to emphasize critical and important information. Read and follow these statements to help ensure safety and prevent property damage.

**DANGER:** If you smell gas:

- Shut off gas to the appliance.
- Extinguish any open flame.
- If odor continues, keep away from the appliance and immediately call your gas supplier or your fire department.

1. This is an **ATTENDED** appliance. Do not leave this appliance unattended while the grill is lit or while heating oil, grease, water, or cooking food.
2. Keep children, pets and unauthorized persons away from the appliance at all times.
3. The use of alcohol, prescription or non-prescription drugs may impair your ability to properly assemble or safely operate this appliance. **DO NOT** assemble or operate this appliance if using alcohol, prescription or non-prescription drugs.
4. This appliance is for **OUTDOOR** use only. Do not use in a building, garage, tent, or any other enclosed area. **DO NOT** use in or on a recreational vehicle or boat. Never use this appliance as a heater.
5. **DO NOT** place this appliance under **ANY** overhead construction. Keep a minimum clearance of 10 ft (3.05 m) from the sides, front and back of appliance to **ANY** construction. Keep the area clear of combustible material. **DO NOT** use on or under apartment or condo balcony or deck.
6. When cooking, the appliance must be on a level, stable, noncombustible surface, such as brick, concrete, or dirt. Not suitable surfaces are wood, asphalt, or plastic as they may burn, blister, or melt.
7. Check all appliance fittings for leaks before each use. Keep the fuel supply hose away from any heated surfaces. Only the LP hose/regulator assembly specified by GasOne should be used with this appliance.
8. **DO NOT** place an empty cooking vessel on the appliance while in operation. Use caution when placing anything in the cooking vessel while the appliance is in operation. Never use a cooking vessel larger than the capacity and diameter specified in this manual.
9. In the event of rain, snow, hail, sleet or other forms of precipitation while cooking with oil/grease, cover the cooking vessel immediately and turn off the appliance burners and gas supply. Do not attempt to move the appliance or cooking vessel.
10. **DO NOT** move the appliance when in use. Allow the cooking vessel to completely cool to touch before moving or storing.
11. Use GasOne appliances only in accordance with state and local ordinances, or in the absence of local codes, with the National Fuel Gas Code, ANSIZ223.1/NFPA 54, Storage and Handling of Liquefied Petroleum Gases, ANSI/NFPA 58 or CSA B149.1, Natural Gas and Propane Installation Code.
12. **Any modification of the appliance may be dangerous.** Do not attempt any unauthorized interference of the main controls of this appliance. (i.e. gas taps, valves, etc).

**FAILURE TO FOLLOW THESE INSTRUCTIONS MAY RESULT IN FIRE, EXPLOSION, BURN HAZARD OR CARBON MONOXIDE POISONING WHICH COULD CAUSE PROPERTY DAMAGE, PERSONAL INJURY OR DEATH.**

# INFORMATION REGARDING LP GAS

## WHAT IS LP GAS?

Liquified petroleum gas, also called LP, LP gas, liquid propane, or simply propane, is the flammable, petroleum-based product used to fuel your appliance. It is a gas at moderate temperatures and pressure when it is not contained. But at moderate pressure inside a container, such as a tank. LP is a liquid. As pressure is released from the tank, the liquid readily vaporizes and becomes gas.

## SAFE HANDLING TIPS FOR LP TANKS

- Your grill is designed to operate with one 16.4 oz disposable propane cylinder (Dot 39 Cylinder) that is 7 3/8" high (not included). Do not attempt to refill any 16.4 oz disposable fuel cylinders.
- A dented or rusty liquid propane tank may be hazardous and should be checked by your liquid propane supplier. Do not use a liquid propane tank with a damaged valve.
- Although your liquid propane tank may appear to be empty, gas may still be present and the tank should be transported and stored accordingly.
- The LP tank must be installed, transported, and stored in an upright secure position. LP tanks should not be dropped or handled roughly.
- Never store or transport the LP tank where temperatures can reach 125° F (51.7° C) (the tank will become too hot to hold by hand).

# INFORMATION REGARDING LP GAS (CONT.)

## WHAT IS A LEAK CHECK?

Once the LP tank is properly installed, it is necessary to perform a leak check. A leak check is a reliable way to verify that gas is not escaping after you connect the tank. The fuel system in your grill features factory made connections that have been thoroughly checked for gas leaks and the burners have been flame-tested. We recommend performing a thorough leak check after assembly, as well as annually.

## CHECKING FOR GAS LEAKS

1. Apply a soap-and-water solution to the fittings using a spray bottle, brush, or cloth. You can make your own solution by mixing 20% liquid soap with 80% water, or use a commercially available leak detection solution from the plumbing section of a hardware store.
2. Apply the soapy solution to the connection point between the cylinder and the regulator or valve.
3. If bubbles begin to form and grow, a leak is present. Tighten the connection and repeat steps 1 and 2 until no bubbles appear.

If you cannot stop a leak, remove cylinder from regulator and check for damaged threads, dirt, and debris on regulator and cylinder. If threads are damaged on either regulator or cylinder, replace. Check to see if anything is obstructing the flow of gas at regulator and cylinder openings. Remove any obstruction that may be found and repeat leak test.

**NOTE:** Since some leak test solutions including soap and water, may be slightly corrosive; all connections should be rinsed with water after checking for leaks.

**DANGER:** Do not use a flame to check for gas leaks. Be sure there are no sparks or open flames in the area while you check for leaks.

**DANGER:** Leaking gas may cause a fire or explosion.

**DANGER:** Do not operate the appliance if there is a gas leak present.

**DANGER:** If you see, smell, or hear the hiss of gas escaping from the liquid propane tank:

- 1) Move away from liquid propane tank.
- 2) Do not attempt to correct the problem yourself.
- 3) Call your fire department.

**DANGER:** Always close the tank valve before disconnecting the regulator. Do not attempt to dis-

# MAINTENANCE AND CARE

## GENERAL TIPS

1. The area where the grill will be used must be kept clear and free from combustible materials, gasoline and other flammable vapors and liquids. Before each use of the appliance, inspect and remove any combustible items.
2. The flow of combustion and ventilation of air must not be obstructed. The appliance must be set in an open area with 10 ft. (3.05m) of space on all sides and no roof or overhang overhead. Check the location and placement of the appliance before each use.
3. Always use the LP Hose/Regulator assembly supplied with the appliance. Before each use of the appliance check the LP Hose for evidence of abrasion, wear, cuts or leaks. If there is any damage to the pipe, the pipe/regulator assembly must be replaced prior to using the appliance. Visit [www.gasone.com](http://www.gasone.com) for information regarding a replacement hose assembly. Only the LP pipe/Regulator assembly specified by GasOne should be used with the appliance.
4. For parts that may have become damaged, please reach out to GasOne's care team to support.

## CLEANING TIPS

Maintenance is recommended that every 90 days for your gas grill, but it is absolutely necessary to perform maintenance at least once a year. By doing so you will extend the life of your gas grill. Your gas grill is easy to clean with minimum effort, just follow these helpful hints for cleaning convenience.

### CLEANING COOKING GRIDS

We suggest you wash your cooking grids in a mild soap and warm water solution. You can use a wash cloth or soft brush to clean your cooking grids.

### CLEANING HEAT DIFFUSER

Periodically you should wash the heat diffusers in a soap and warm water solution. Use a soft brush to remove stubborn burnt-on cooking residue. The heat diffusers should be dry before you reinstall them.

### CLEANING GREASE TRAY

The grease tray should be emptied and wiped down periodically and washed in a mild detergent and warm water solution. A small amount of sand or cat litter may be placed in bottom of grease tray to absorb the grease. Check the grease tray frequently, don't allow excess grease to accumulate and overflow out of the grease tray.

# OPERATION

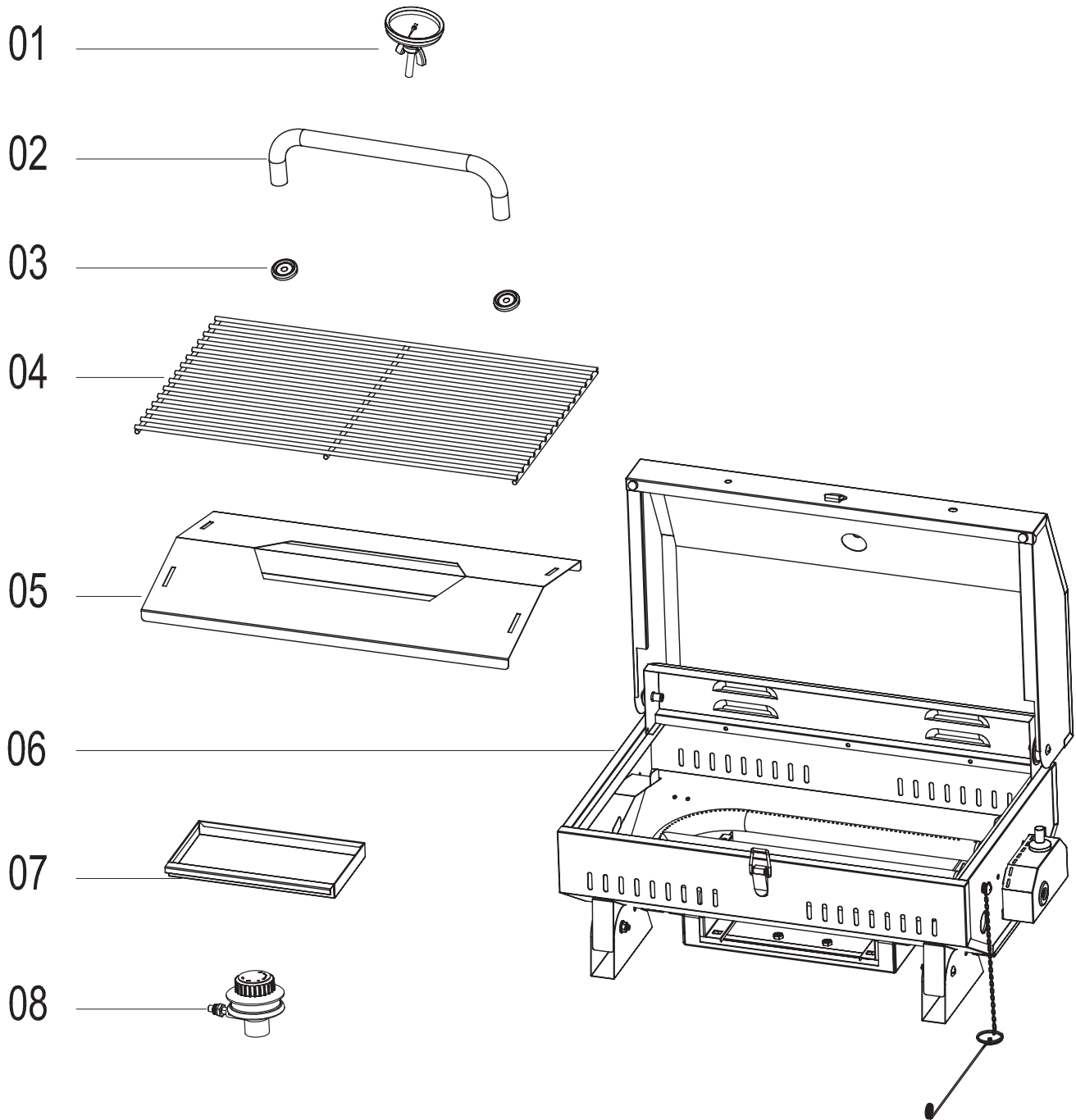
**WARNING: NEVER PUT HANDS OR FACE DIRECTLY OVER BURNER WHILE LIGHTING OR WHILE THE APPLIANCE IS LIT. REMOVE OR RAISE LID TO OPEN POSITION. ATTEMPTING TO LIGHT BURNER WITH LID CLOSED MAY CAUSE AN EXPLOSION. DO NOT EXPOSE ANY PART OF YOUR BODY OR CLOTHING DIRECTLY ABOVE COOKING AREA WHEN LIGHTING.**

## **LIGHTING INSTRUCTIONS**

1. Open the lid before lighting the grill.
2. Ensure the control knob is in the OFF position and connect the propane tank securely.
3. Turn the control knob slowly to the "IGNITE" position to release gas.
4. Immediately press the push-start ignition button to light the burner; you should hear a clicking sound and see the flame ignite.
5. If the burner does not ignite within 5 seconds, turn the knob to OFF, wait at least 5 minutes to allow gas to clear, then repeat the process.
6. Once lit, adjust the flame by turning the control knob to the desired heat level.

**FAILURE TO FOLLOW THESE INSTRUCTIONS MAY RESULT IN FIRE, EXPLOSION, BURN HAZARD OR CARBON MONOXIDE POISONING WHICH COULD CAUSE PROPERTY DAMAGE, PERSONAL INJURY OR DEATH.**


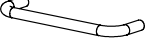

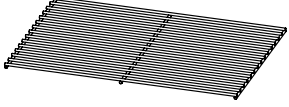
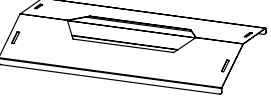
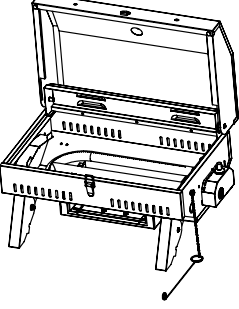



# PARTS LIST



## CAUTION

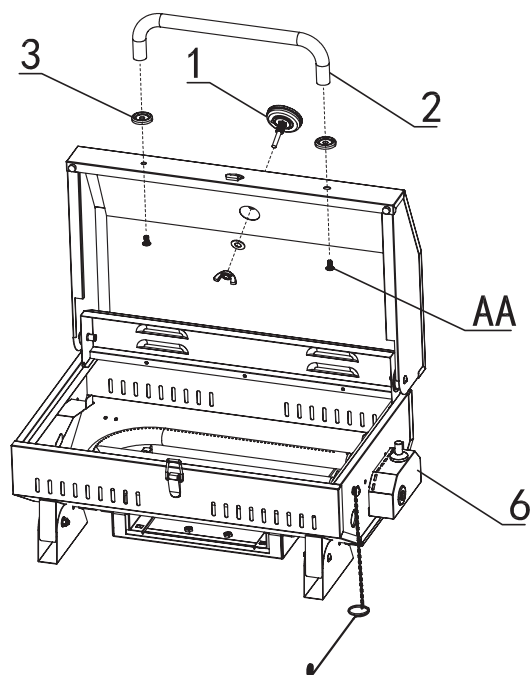
Although we take every effort to ensure that the assembly process is as easy as possible, it is inherent with fabricated steel parts that corners and edges can cause cuts if improperly handled during assembly procedures. Be careful while handling any parts during assembly. It is strongly recommended that you protect hands with a pair of work gloves.

# PARTS LIST

No.	Parts Name	Parts Diagram	Qty.
1	Thermometer		1
2	Lid handle		1
3	Handle bezel		2
4	Cooking Grate		1
5	Heat tent		1
6	Lid and Firebox Assembly		1
7	Grease tray		1
8	One Pound Propane tank regulator		1
Hardware Contents			
AA	M6x12 Screw		2

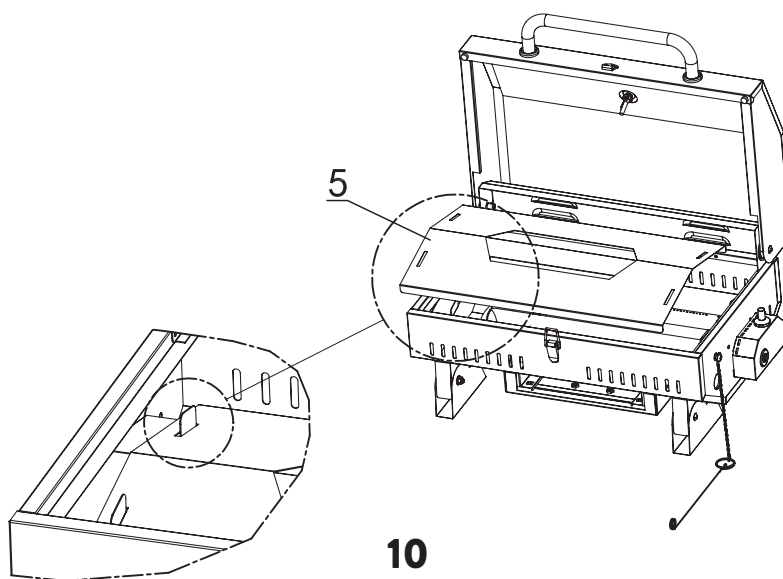
# ASSEMBLY

**STEP 1:** Attach the handle (2) to the lid of the grill using x2 M6 x 12 (AA). Attach the thermometer (1) using one butterfly screw and one washer.



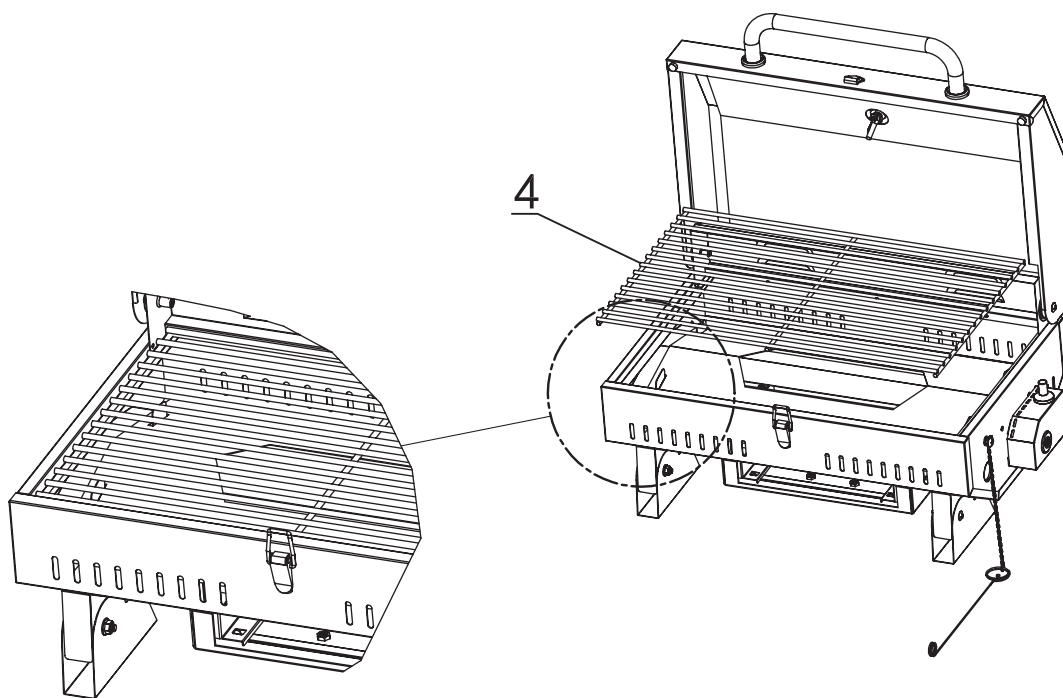
AA M6X12  2X

**STEP 2:** Insert the rear tabs of the heat tent (5) into the back slots of the grill body, then lower the front edge to rest securely on the interior support ledges.

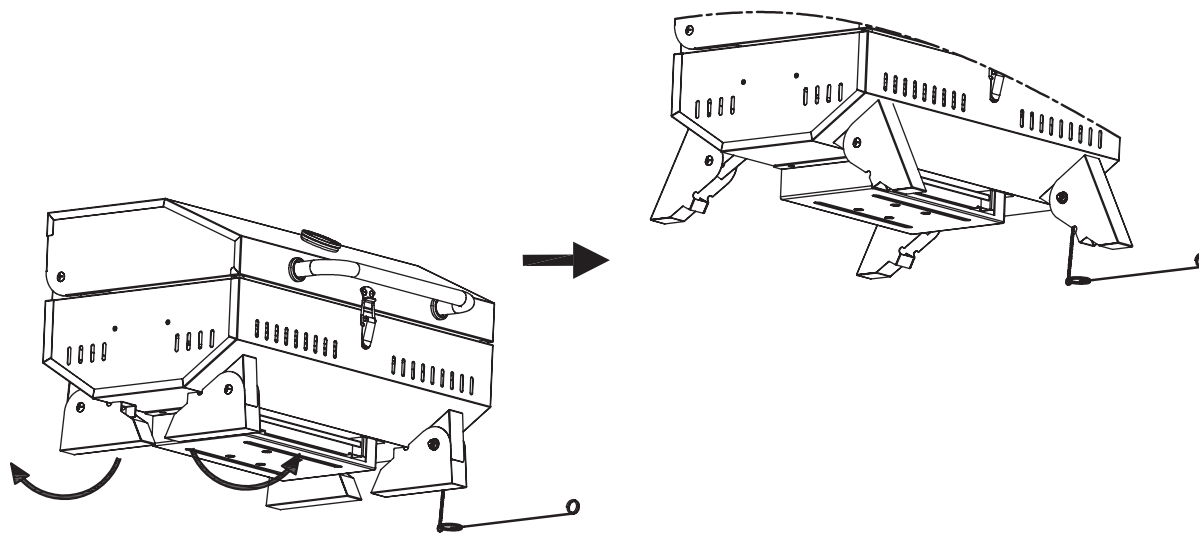


## ASSEMBLY (CONT.)

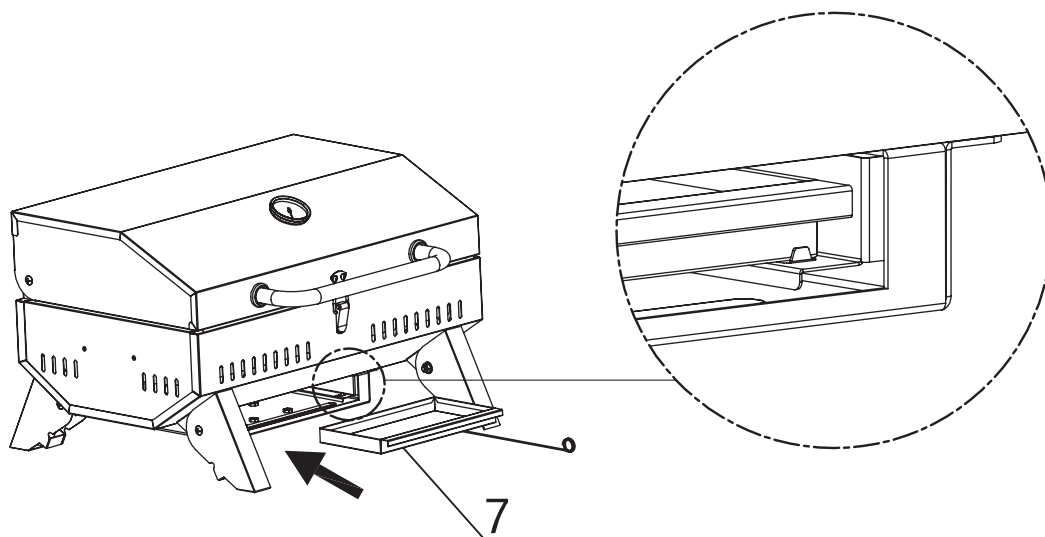
**STEP 3:** Place the cooking grate (4) on top of the grill body, ensuring it rests securely on the support ledges



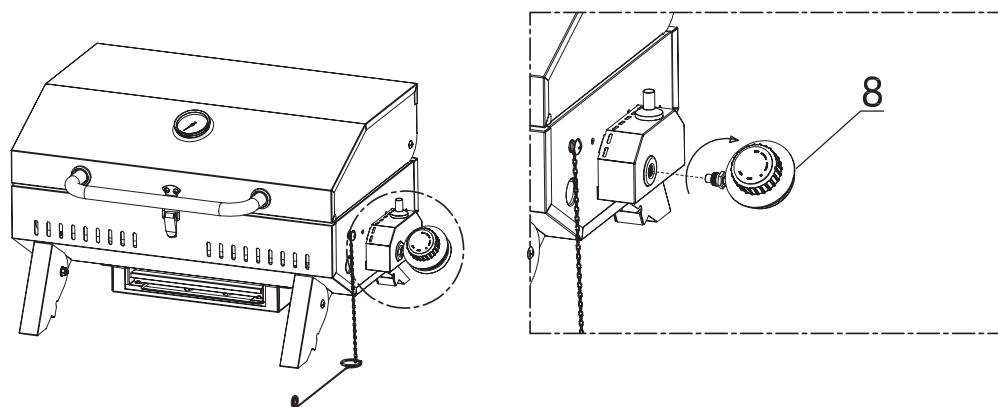
**STEP 4:** Fold out the side legs to set the grill upright and stable on a flat surface.



**STEP 5:** Insert the grease tray (7) into the slot beneath the grill body, ensuring it slides in fully and rests securely in place.



**STEP 6:** Secure the regulator connection with a wrench to ensure a tight seal.



**STEP 7:** Attach a 1 lb propane tank (not included) to the regulator by turning it clockwise until snug. Hand tighten it only.

