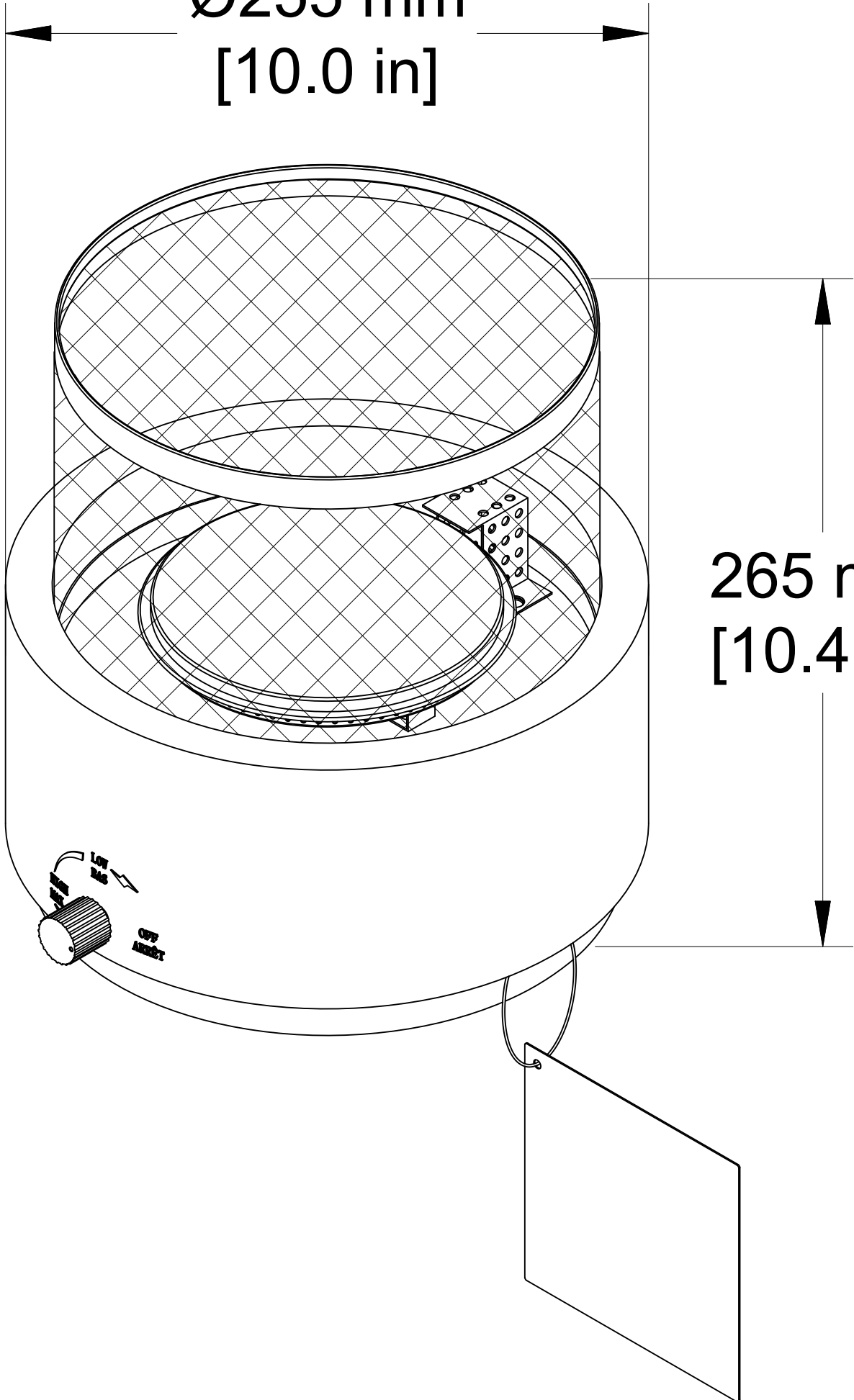


Ø255 mm
[10.0 in]



265 mm
[10.4 in]

