

WARNING & NOTICE

- Do not look directly at the LED light, or it may damage your eyes.
- Do not attempt to disassemble or remodel the product. Any changes can be dangerous and will void the warranty.
- Please keep the product away from flammable items, or explosion or casual injuries may occur.
- Please switch OFF the product when it is not in use for a long period of time.

Solar Motion Sensing Wall Light

USER MANUAL

PRODUCT SPECIFICATIONS

Material	Aluminum / PC	Solar Panel	7.0 x 3.2 inches / 2.1W
Battery	Li-ion battery 18650 2200 mAh	Waterproof Performance	IP44
Size	7.4 x 5.0 x 3.2 inches	Accessories	1 *Lighting section 2*Screws / 2*Anchors 1*User manual

This product has a limited warranty. For further information, please visit our website at www.techkogroup.com

☎ 1-888-883-2456

✉ support@techkogroup.com

TECHKO®

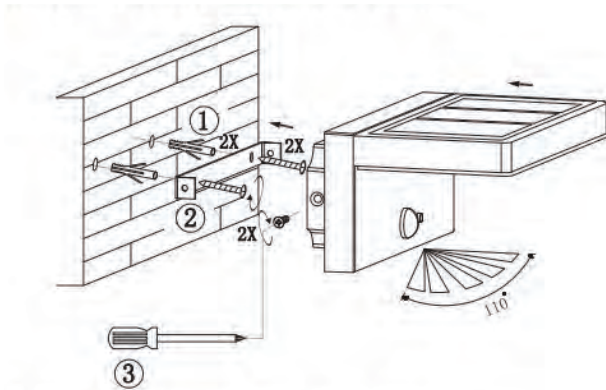
Model: SML-3203

- ◆ Please carefully read this manual before using the product.
- ◆ Keep the manual with you for reference as needed.

PLEASE FULLY CHARGE THE PRODUCT BEFORE USING

- Please charge for about 4 hours before using this product for the first time.
- Charging time may be very depending on the weather, temperature, and seasons.
- Do not charge the product indoors or any place where direct sunlight can't reach. Otherwise, the product will not charge properly.
- Please keep the solar panel clean to make sure the product can be properly charged.
Frequently clean the solar panel as needed. Avoid scratching on the panel or it may lower charging efficiency.

INSTALLATION INSTRUCTIONS



1. Create holes and insert anchors

Mark the mounting points, drill the holes, and insert the wall anchors securely.

2. Fix the support frame to the wall

Align the support frame with the anchors and use the supplied screws to fasten it firmly to the wall.

3. Attach the unit to the support frame

Position the unit onto the support frame and use the supplied screws to secure it in place.

Switch & Function

Push the Function Button to set the Mode.

Mode 1 (Constant Light): Light stays at LOW brightness when daylight sensor detects dusk or when the surroundings turn dark.

Mode 2 (Motion Sensor): HIGH brightness when motion is sensed, and LOW brightness after 25 seconds of stillness.

Mode 3 (Motion Sensor): HIGH brightness when motion is sensed, and light turns off when no motion is detected for 25 seconds.



FUNCTIONS

When motion is detected, the light will shine bright. After 25 seconds of no motion detected, the light enters into the power-saving mode.

In ideal weather, the unit recharges within 7-8 hours.

The delay time for a bright light is 25 seconds when someone is nearby.

