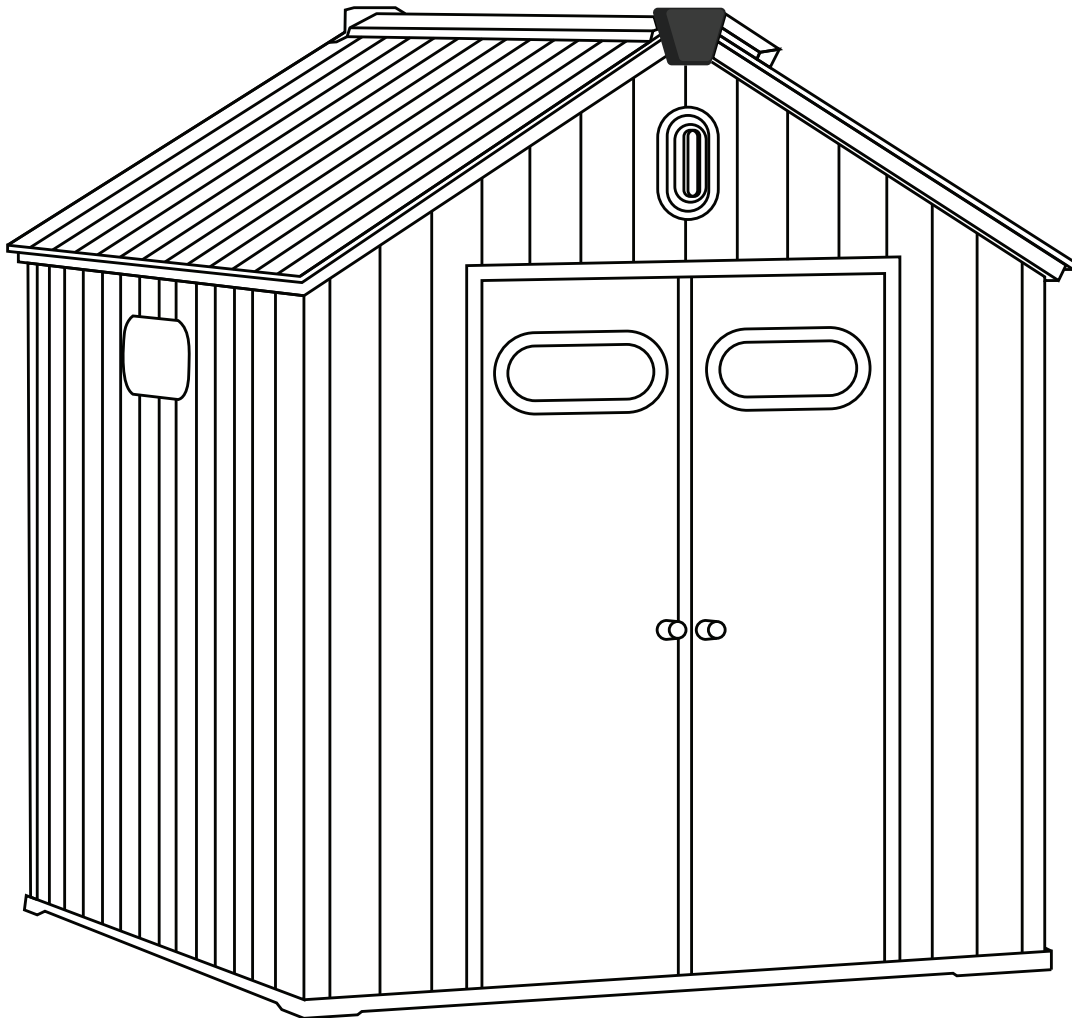


PLEXALIFE™

USER MANUAL

8X12 OUTDOOR SHED

Size: 8x12ft



ITEM #s

- PLS-SH-812LG-BX5
- PLS-SH-812TB-BX5



SCAN HERE to Activate
your extended warranty

WARRANTY

PLEXALIFE™

Exclusively Distributed by
Pharo Deals NY Inc.

support@pharodeals.com
www.pharodeals.com

CONTENTS

List of Contents	01
Precautions and Product Specifications	02-03
Parts List	04-05
STEP 1 Floor Installation	06-09
STEP 2 Wall Installation	10-17
STEP 3 Roof Installation	18-34
STEP 4 Door Installation	35-42
STEP 5 Final Installation (Anchors)	43-44

CARE AND SAFETY GUIDELINES

- The shed is intended for storage purposes only. It is not designed for habitation.
- It is strongly recommended to secure the shed to an immovable object or anchor to the ground by drilling holes in the shed floor (at the pre-marked locations) and inserting proper screws into the ground.
- Do not attempt assembly on windy or cold days.
- Periodically check the shed to ensure that it is stable and that the site is level.
- Be careful when handling parts with steel edges.
- When assembling or handling the shed, use only those tools listed in the user manual.
- Always wear work gloves, safety goggles and long sleeves when assembling or performing any maintenance on your shed.
- Avoid using a lawnmower or mechanical scythe near the shed.
- Wear safety goggles and always follow the manufacturer's instructions when using power tools.
- Wash the shed with a garden hose or a mild detergent solution. Do not use a metal brush or abrasive cleaners, including degreasers and oil- or acetone-based cleaning materials, as these may stain or damage the shed.
Do not store hot items, such as recently used grills and blowtorches, and volatile chemicals in the shed.
- Avoid placing heavy items against the walls, as this may cause distortion.
- Keep the roof clear of accumulated snow and leaves. Large amounts of snow on the roof can damage the shed, making it unsafe to enter.
- Wind direction is an important factor to consider when determining the location of the shed.
- Do not store hot items, such as recently used grills and blowtorches, and volatile chemicals in the shed. Avoid placing heavy items against the walls, as this may cause distortion.
- Keep the roof clear of accumulated snow and leaves. Large amounts of snow on the roof can damage the shed, making it unsafe to enter.
- Wind direction is an important factor to consider when determining the location of the shed.
- Reduce exposure to the wind, in general, and of the door side in particular. Keep doors closed and locked when the shed is not in use to prevent wind damage.
- Do not stand on the roof.
- Consult your local authorities to check if permits are required to erect the shed.

INSTALLATION PRECAUTIONS

1. Site preparation

Leveling the ground.

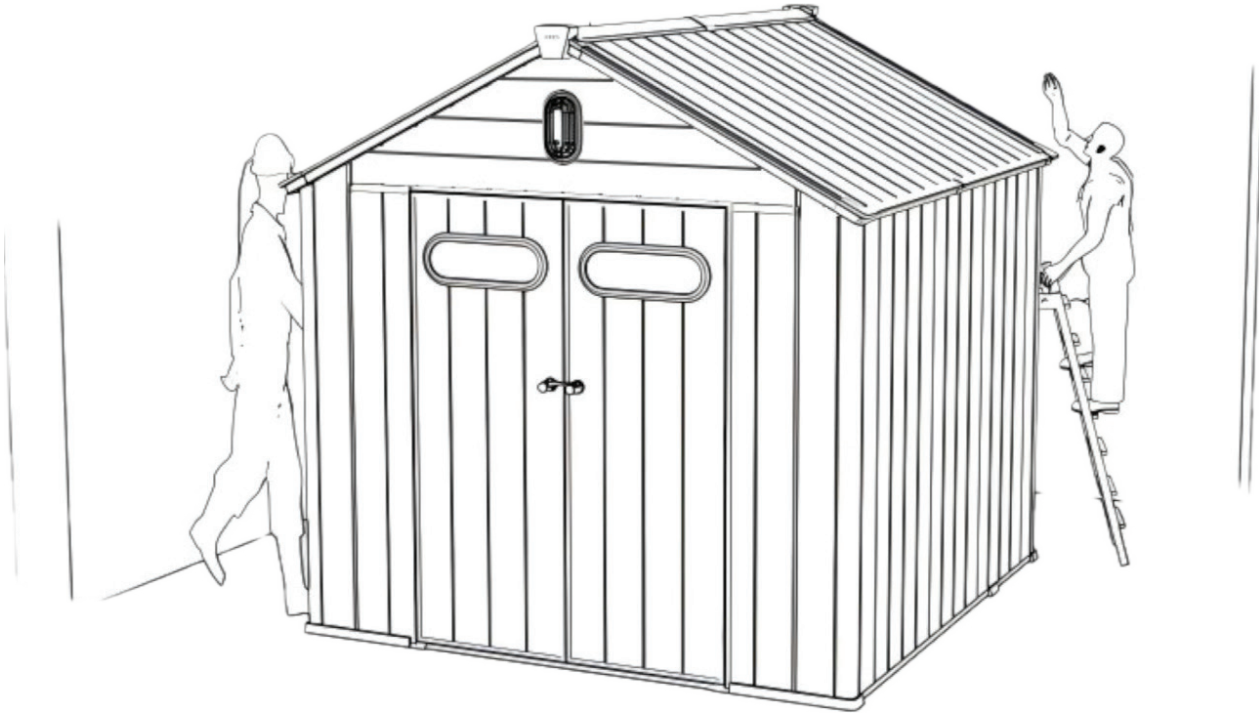


2. Set up the base

It is recommended to build a wooden base or concrete base.

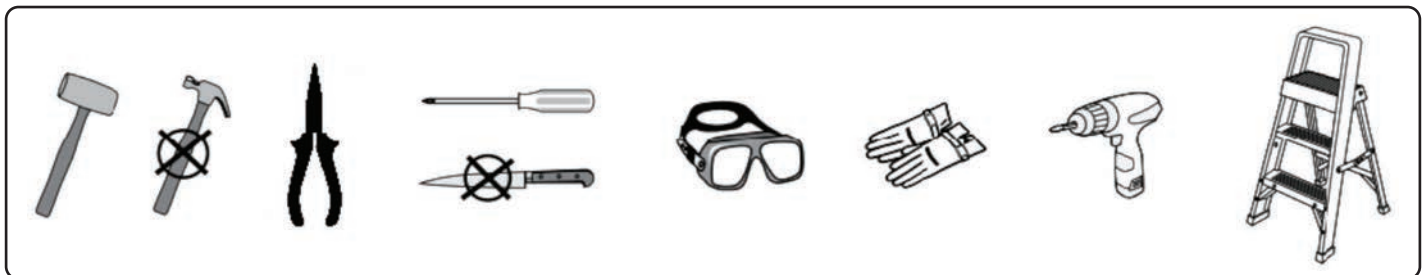
3. Leave enough space

Operating space shall be reserved for external installation work.

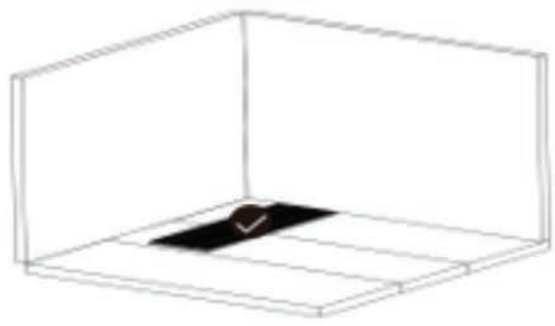
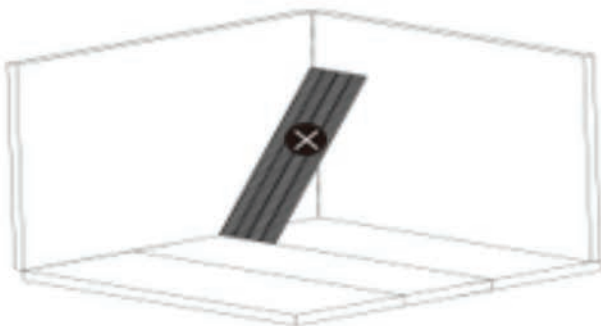


4. Tools required for installation

(Note: Installation requires two people to work together.)



5. Lay the panels flat on the floor in order to prevent deformation.



6. Put the unfolded packing case on the floor to protect the floor from being crushed by the ladder.



























ACCESSORY & PARTS

FLOOR		
Item No.	Reference Image	Qty.
F.1(kc)		X1
F.2L(kc)		X1
F.3(kf)		X2
KCFBC		X3
KCFRC		X4
F.6(kf812)		X4
F.7(kf)		X2
F.2R(kc)		X1
F.8(kf812)		X9
F.9(kf812)		X9
F.10(kf812)		X1
F.11(kf)		X4
F.12(kf)		X1
F.13(kf)		X1
F.14(kf812)		X2
F.15(kf812)		X2
F.17(kf)		X1
F.18(kf)		X1

WALL		
Item No.	Reference Image	Qty.
W.1(kf)		X2
W.2(kf)		X14
W.3(kf)		X2
W.4(kf)		X2
WIR2.OUT		X4
WIR2.IN		X4
W.5(kf)		X2
W.6(kf)		X1
W.7(kf)		X9
W.8(kf)		X9
W.9(kf)		X1
W.10(kc)		X4
HD.1(kc)		X1
W.11L(kf)		X1
W.11R(kf)		X1
W.12(kf)		X1
W.13(kf)		X2
W.14(kf)		X2
W.15(kf)		X2
W.16(kf)		X2
VNR2.OUT		X2
VNR2.IN		X2
FlatRubber sealing stripe 12mm*2mm		X2
FlatRubber sealing stripe 5mm*2mm		X2









ROOF		
Item No.	Reference Image	Qty.
R.1(kf)		X2
R.2B(kf812)		X14
KCRBLC		X2
FR.1(kf8)		X2
FR.2(kc816)		X4
FR.3(kc816)		X4
FR.4(kf)		X2
FR.5(kc)		X1
FR.6(kc)		X9
FR.7(kf812)		X9
FR.8(kf812)		X1
R.8(kf812)		X4
FlatRubber sealing stripe 20mm*2mm		X1
KCRRC		X1
R.4(kf812)		X1
R.5(kf)		X1
R.6(kf)		X2
HD.2(kc)		X2
HD.3(kc)		X2
HD.4(kc)		X2
HD.5(kc)		X2
R.7(kf)		X2
R.2A(kf812)		X2
KCRRH		X2

ROOF		
Item No.	Reference Image	Qty.
KCRBC.L		X2
KCRBC.R		X2
FR.1A(kc8)		X2
FR.9(kf)		X1
FR.10L(kc)		X1
FR.10R(kc)		X1
FR.12L(kc)		X1
FR.13R(kc)		X1
FR.14(kc)		X6
HD.6(kc)		X2

DOOR		
Item No.	Reference Image	Qty.
D.1L(kf)		X1
D.2L(kf)		X1
D.1R(kf)		X1
D.2R(kf)		X1
D.2(kf)		X1
D.3(kf)		X2
D.3A(kf)		X1
D.4(kc)		X4
HD.7(kc)		X4
HD.8(kc)		X2
HD.9(kc)		X1
HD.10(kc)		X1
DH		X1
DH.5		X2

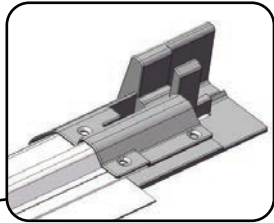
ACCESSORY		
Item No.	Reference Image	Qty.
FT.1 5x14		X240
FT.2 3.9x12		X280
FT.3 3.9x30		X150
FT.5 2.9x20		X48
FT.6 4x14		X78
FT.7 6x40		X48
FT.7A M6		X52
FT.8 6x16		X4
FT.9 M10		X3
FT.10 M10		X3
FT.10A M10		X3
FT.11 3x6		X2
FT.12 8x80		X8
OT.1		X4
Guide Piece		X2

STEP 1 - FLOOR INSTALLATION

							
F.3(kf) 2pcs	F.2R(kc) 1pcs	F.2L(kc) 1pcs	F.1(kc) 1pcs	FT.3 4pcs	(kcFRC) 2pcs	F.6(kf812) 2pcs	FT.3 6pcs

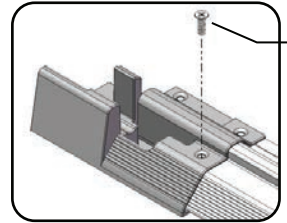
STEP 1.A

Attach the F.2L(kc) with F.1(kc) and F.2R(kc) with F.1(kc)



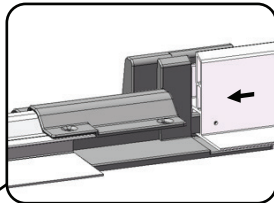
STEP 1.B

Screw the bolts. FT.6



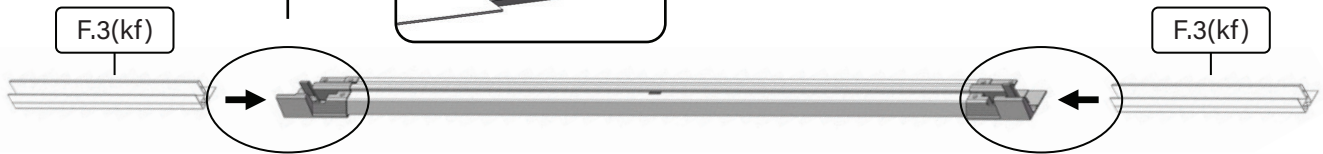
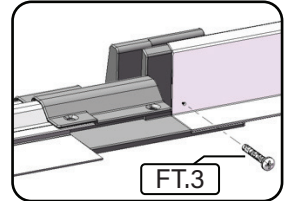
STEP 2.A

Attach the F.3(kf) with F.2L(kc) and F.3(kf) with F.2R(kc)



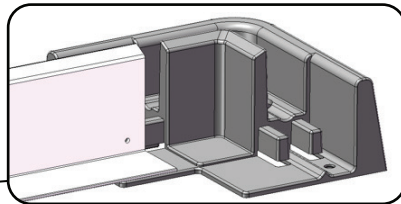
STEP 2.B

Screw the bolts. FT.3



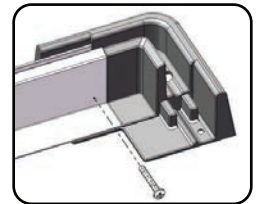
STEP 3.A

Attach the KCFRC with F.3(kf) on both sides.



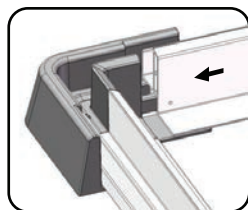
STEP 3.B

Screw the bolts. FT.3



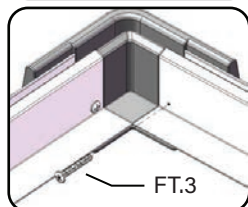
STEP 4.A







Attach the F.6(kf812) on both sides with KCFRC



STEP 4.B

Screw the bolts. FT.3



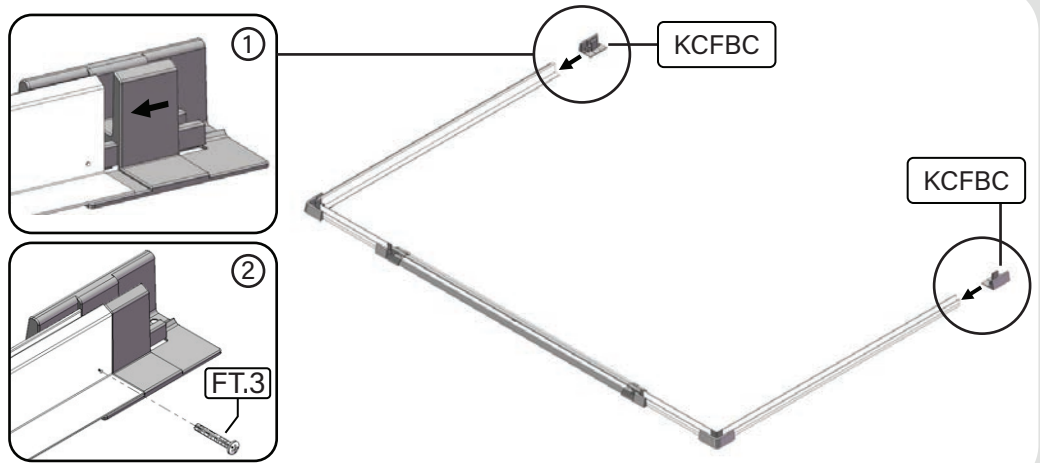
 (kcFBC) 2pcs	 F.6(kf812) 2pcs	 FT.3 10pcs	 KCFRC 2pcs	 F.7(kf) 2pcs	 KCFBC 1pcs
--	--	---	--	--	--

STEP 5.A

Attach the KCFBC with F.6(kf812) on both sides.

STEP 5.B

Screw the bolts.
FT.6

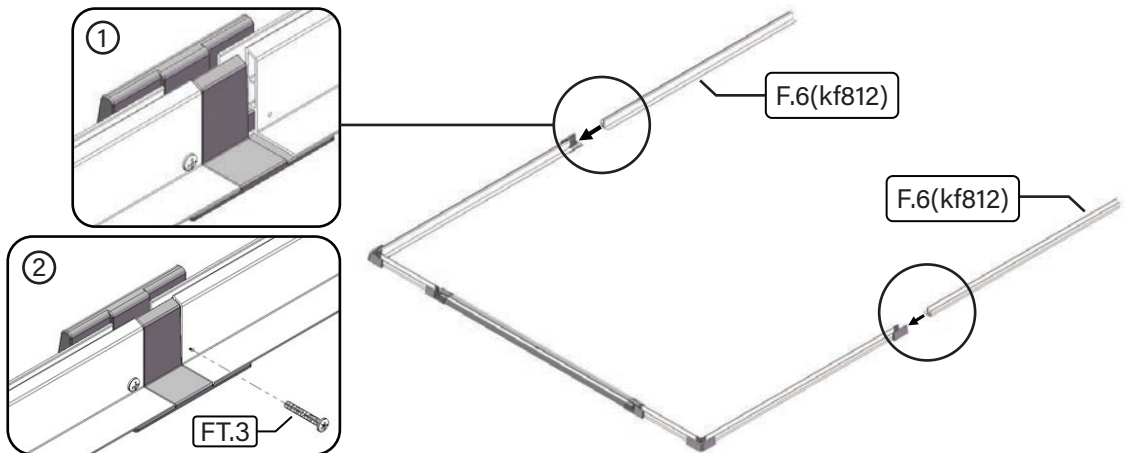


STEP 6.A

Attach the F.6(kf812) with KCFBC

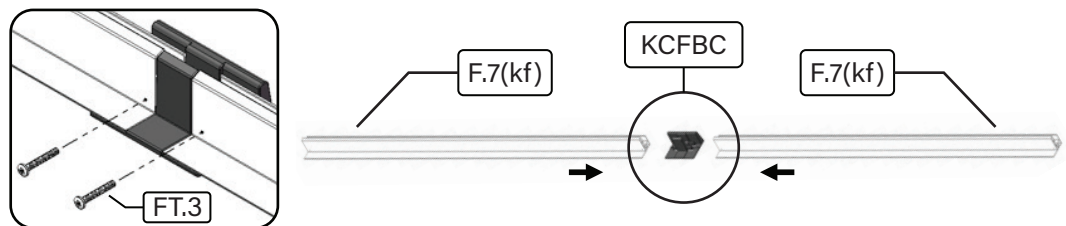
STEP 6.B

Screw the bolts.
FT.3



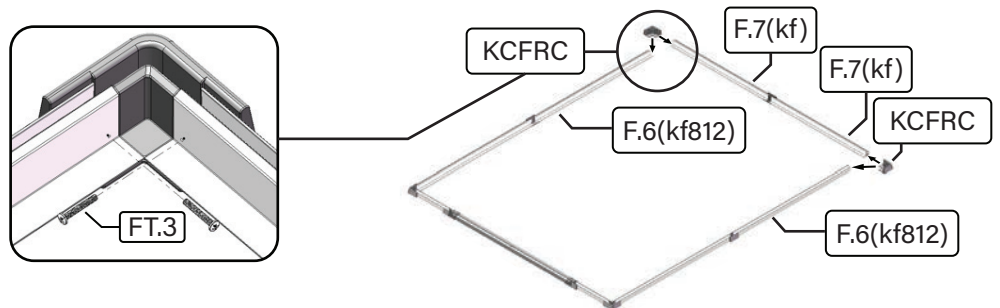
STEP 7





Attach the F.7(kf) with KCFBC using FT.3 screws



STEP 8

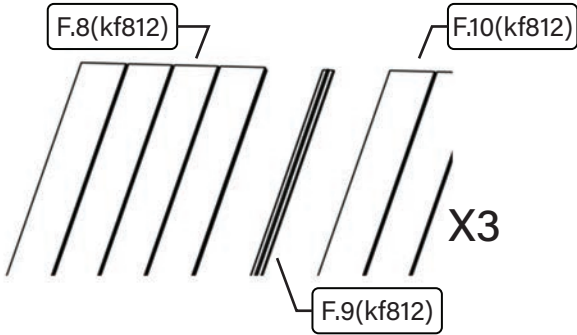
Attach the F.7(kf) & F.6(kf812) with KCFRC using FT.3 screws



						
F.8(kf812) 9pcs	F.9(kf812) 9pcs	F.10(kf812) 3pcs	FT.1 98pcs	F.14(kf812) 2pcs	F.15(kf812) 2pcs	F.11(kf) 4pcs

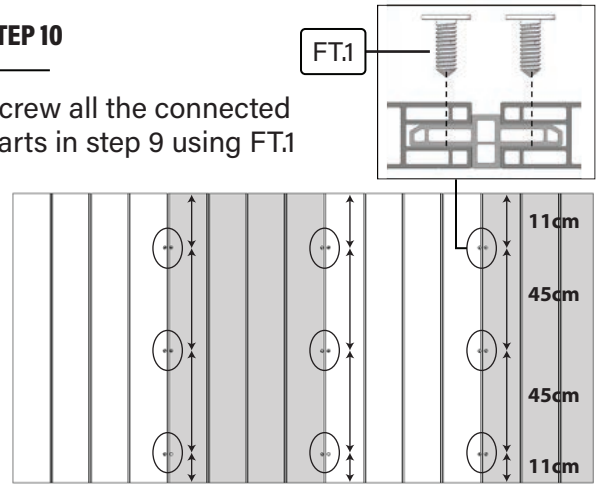
STEP 9

Attach the F.8(kf812) and F.10(kf812) with F.9(kf812).



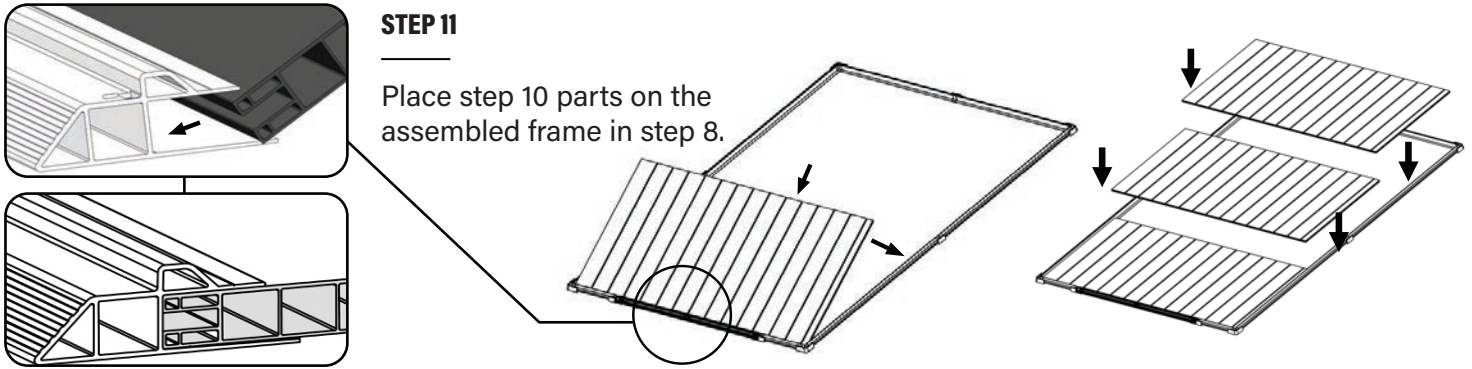
STEP 10

Screw all the connected parts in step 9 using FT.1



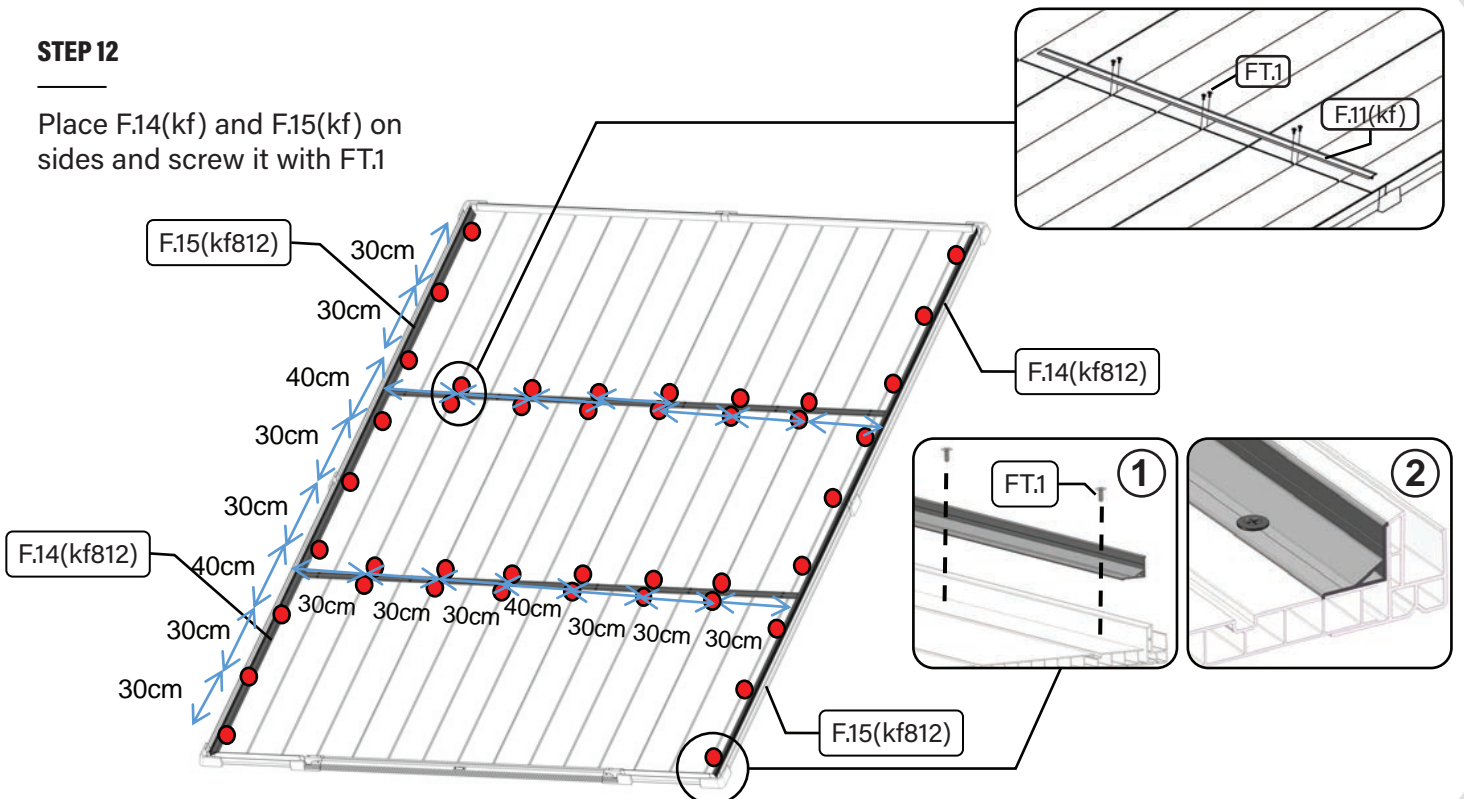
STEP 11

Place step 10 parts on the assembled frame in step 8.



STEP 12

Place F.14(kf) and F.15(kf) on sides and screw it with FT.1

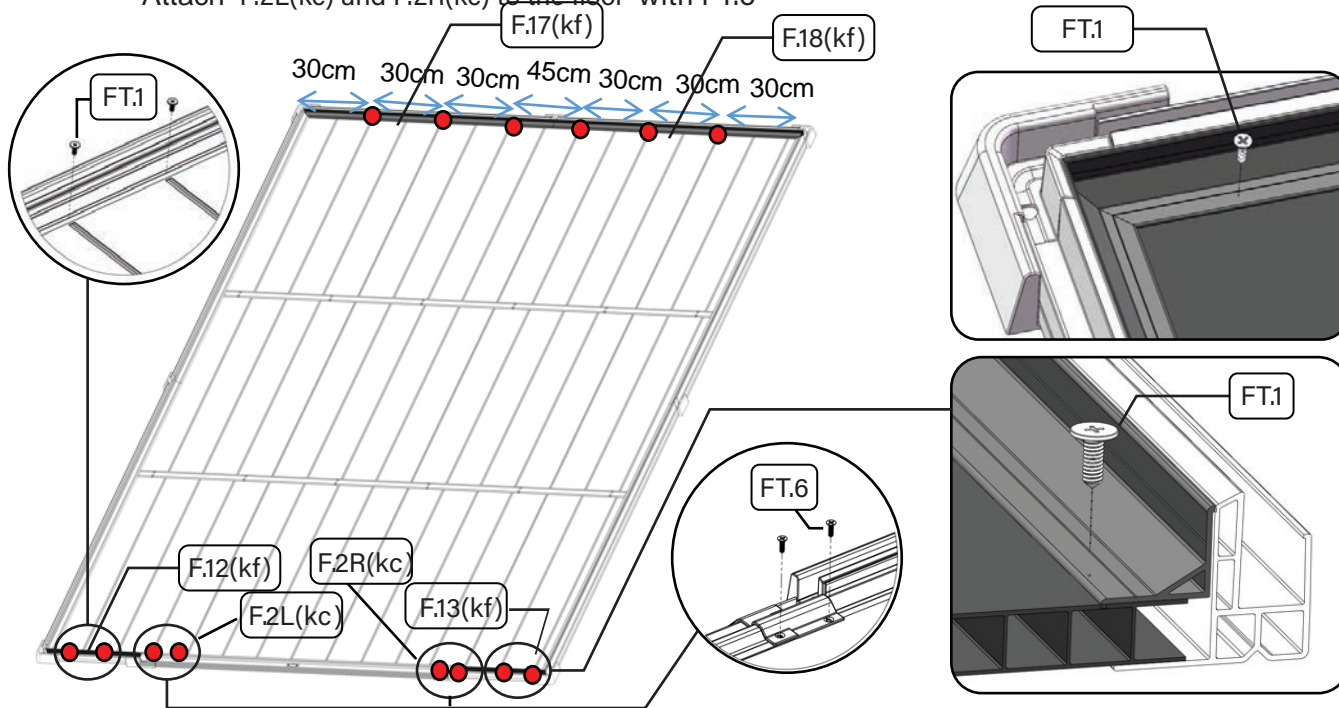


F.12(kf) 1pcs	F.13(kf) 1pcs	F.17(kf) 1pcs	F.18(kf) 1pcs	FT.1 10pcs	FT.6 4pcs

STEP 13

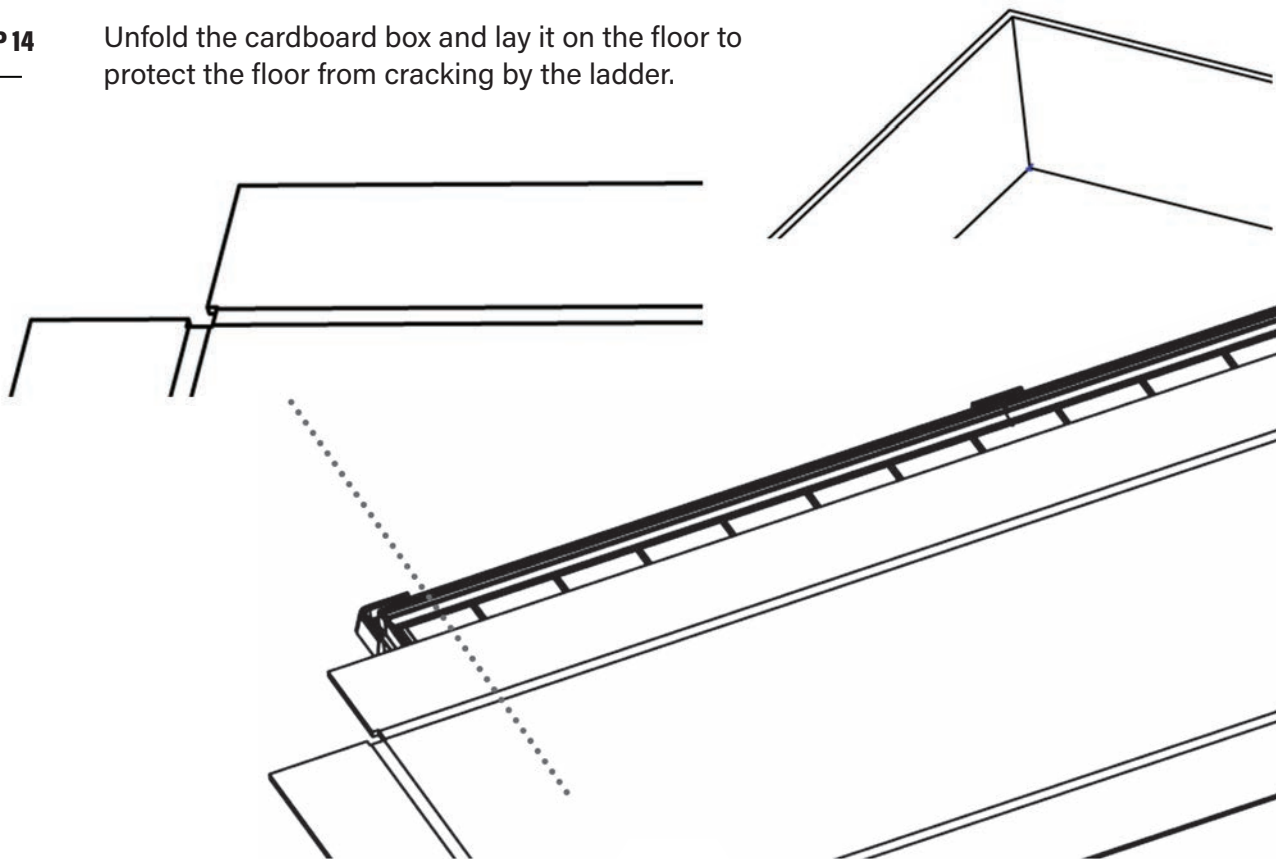
Place F.17(kf) and F.18(kf) on top and screw it with FT.1 and the F.12(kf) & F.13(kf) on bottom and screw it with FT.1.

Attach F.2L(kc) and F.2R(kc) to the floor with FT.6

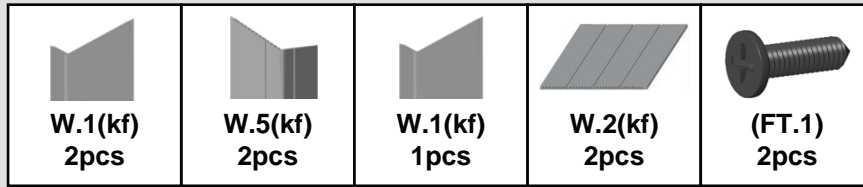


STEP 14

Unfold the cardboard box and lay it on the floor to protect the floor from cracking by the ladder.

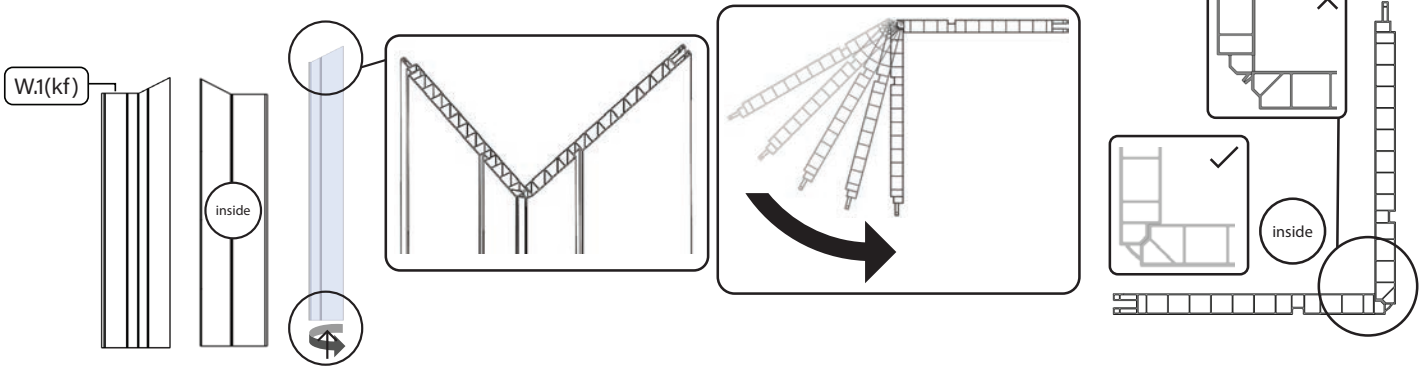


STEP 2 - WALL INSTALLATION



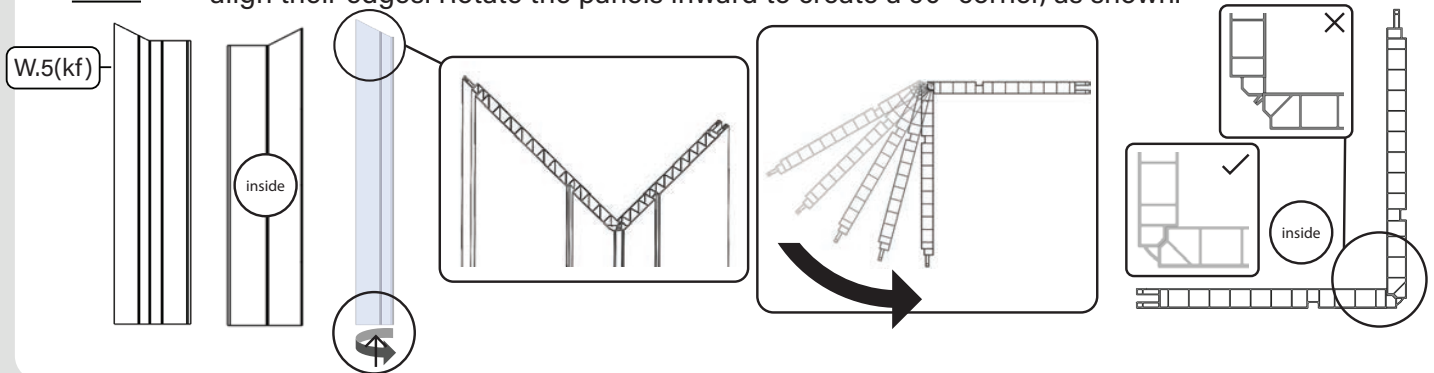
STEP 1

Find the two wall panels labeled W.1(kf). Place both panels vertically at a base corner and align their edges. Rotate the panels inward to create a 90° corner, as shown.



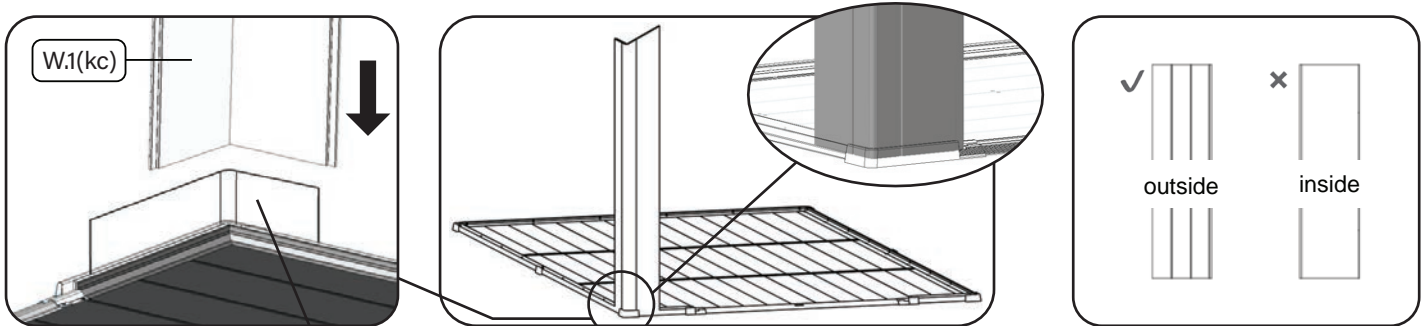
STEP 2

Find the two wall panels labeled W.5(kf). Place both panels vertically at a base corner and align their edges. Rotate the panels inward to create a 90° corner, as shown.



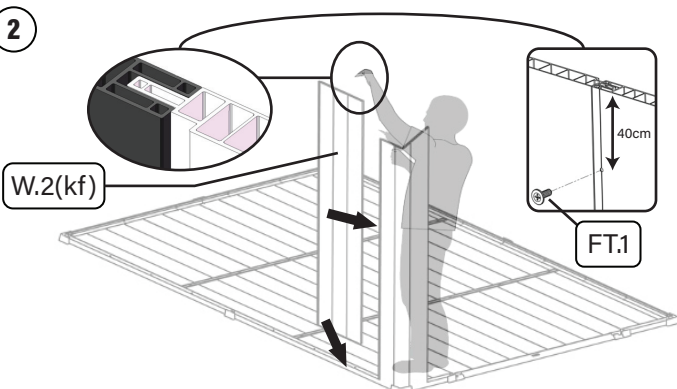
STEP 3

Align W.1(kf) with the front edge of the base frame and seat it in the guide groove. Insert the W.2(kf) panels into the slots of W.1(kf). Secure the panels using FT.1 screws

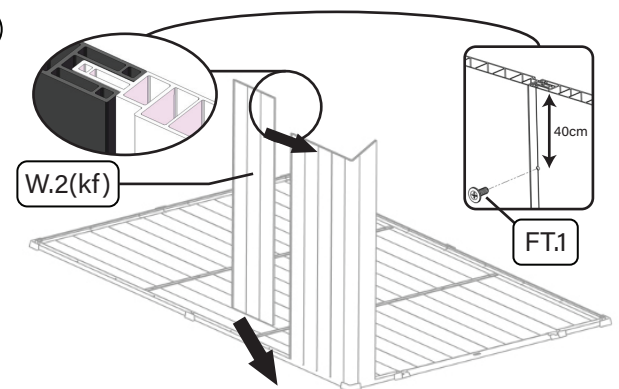







Install with the guide piece to make insert smooth

2



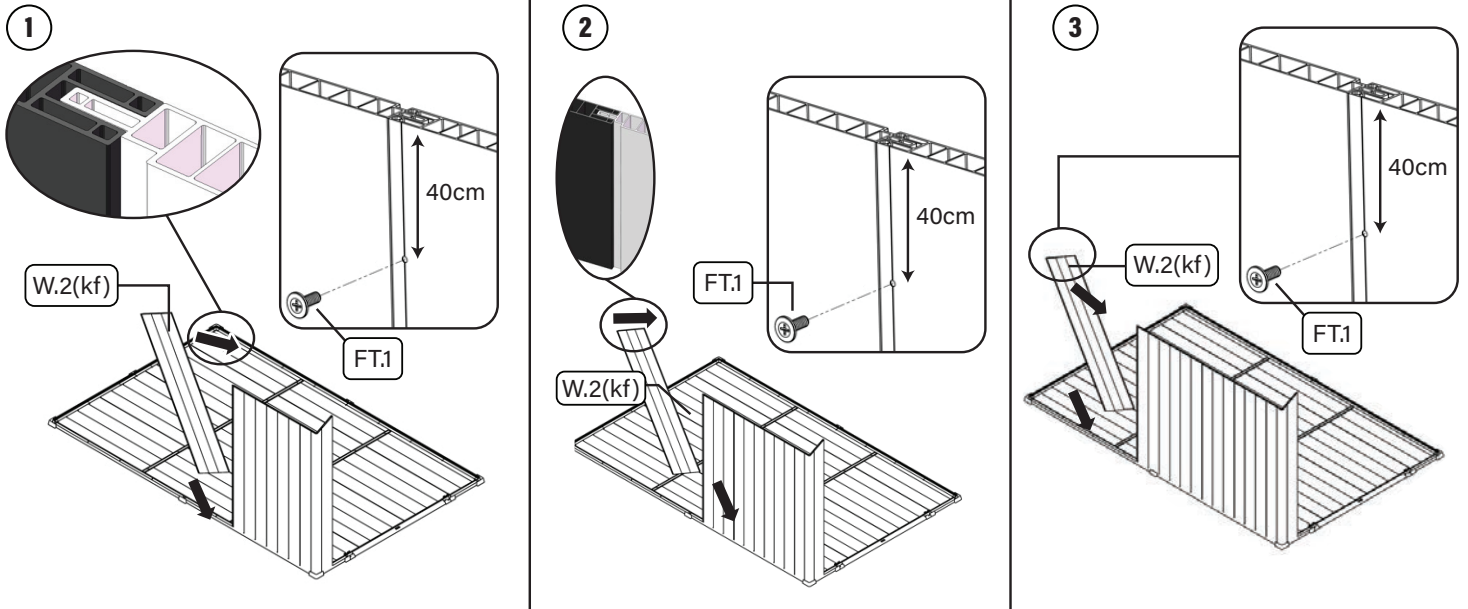
3



				
W.2(kf) 3pcs	(FT.1) 6pcs	W.3(kf) 1pcs	W.4(kf) 1pcs	W.5(kf) 1pcs

STEP 4

Insert the W.2(kf) panels into the slots of W.2(kf). Secure the panels using FT.1 screws

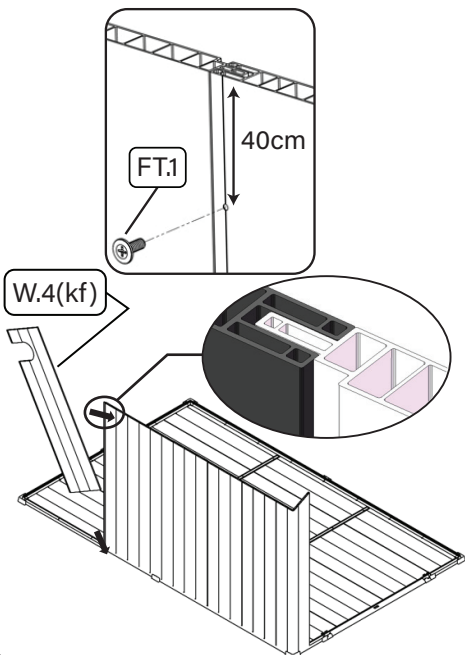


Note: Keep the top of the wall panels aligned, and fix the panels with a screw at a height of 400mm from the top as shown.

Note: Keep each panels close to close without gaps. If the gap is large, the space for installing the last panels is insufficient.

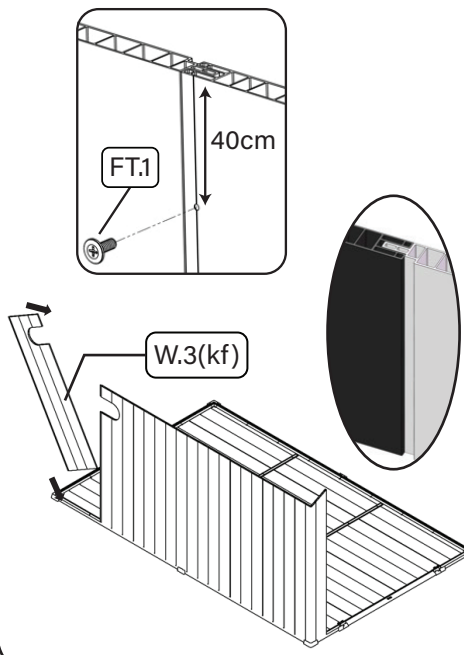
STEP 5

Insert the W.4(kf) panels into the slots of W.2(kf). Secure the panels using FT.1 screws



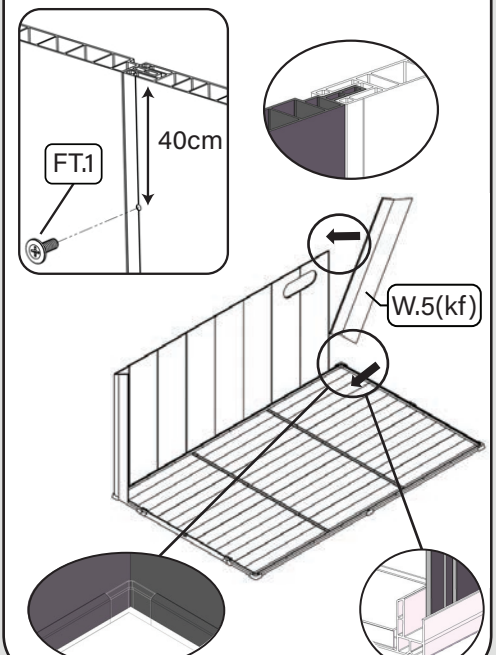
STEP 6

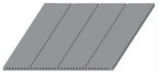





Insert the W.3(kf) panels into the slots of W.4(kf). Secure the panels using FT.1 screws



STEP 7

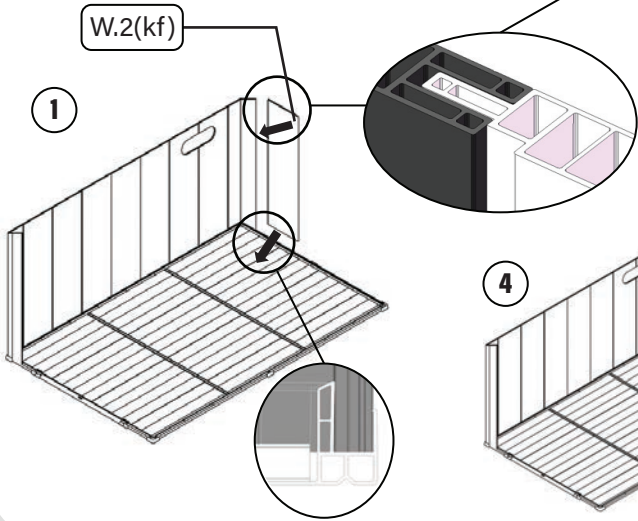
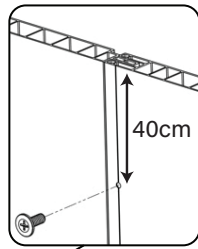
Insert the W.5(kf) panels into the slots of W.3(kf). Secure the panels using FT.1 screws



 W.2(kf) 4pcs	 W.1(kf) 1pcs	 (FT.1) 11pcs	 W.2(kf) 4pcs	 W.3(kf) 1pcs	 W.4(kf) 1pcs
---	---	---	---	--	---

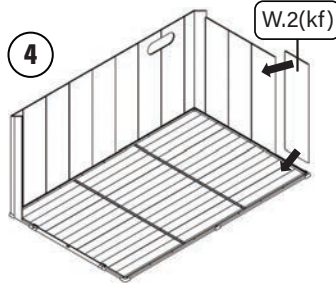
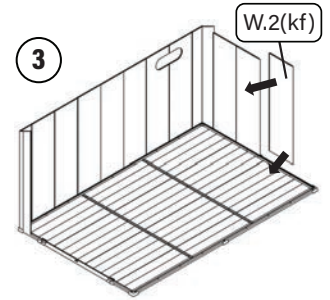
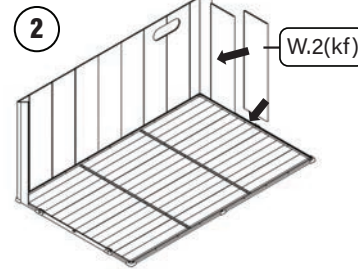
STEP 8

Insert the W.2(kf) panels into the slots of W.5(kf). Secure the panels using FT.1 screws



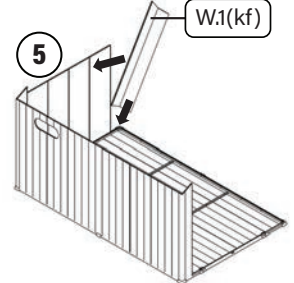
STEP 8.A

Insert 3 more W.2(kf) panels into the slots of W.2(kf). Secure the panels using FT.1 screw



STEP 8.B

Insert the W.1(kf) panels into the slots of W.2(kf). Secure the panels using FT.1 screws



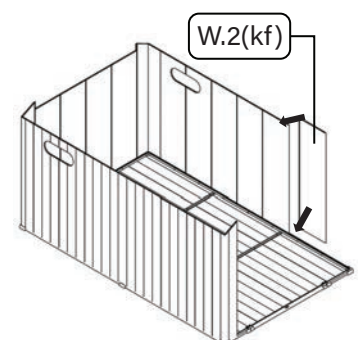
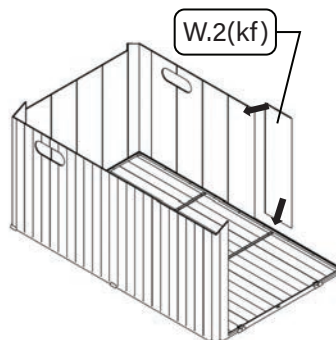
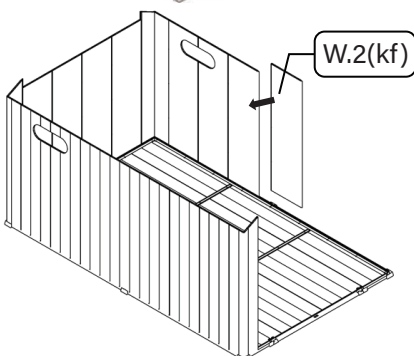
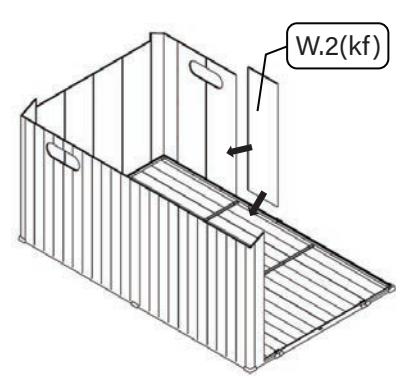
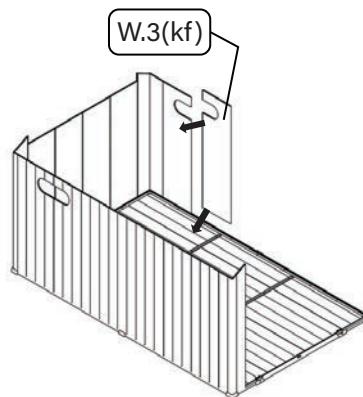
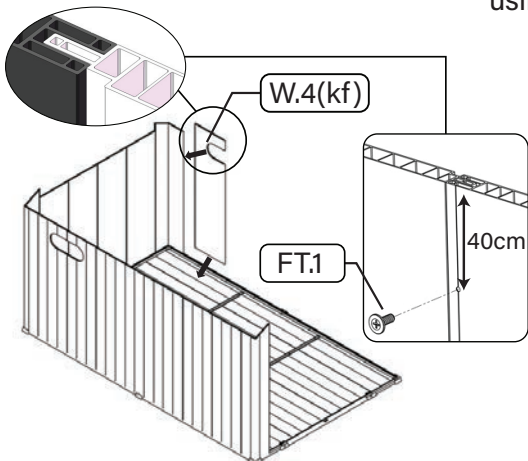
STEP 9





Insert the W.4(kf) panels into the slots of W.1(kf). Secure the panels using FT.1 screws

Insert the W.3(kf) panels into the slots of W.4(kf). Secure the panels using FT.1 screws

Insert the W.2(kf) panels into the slots of W.3(kf). Secure the panels using FT.1 screws

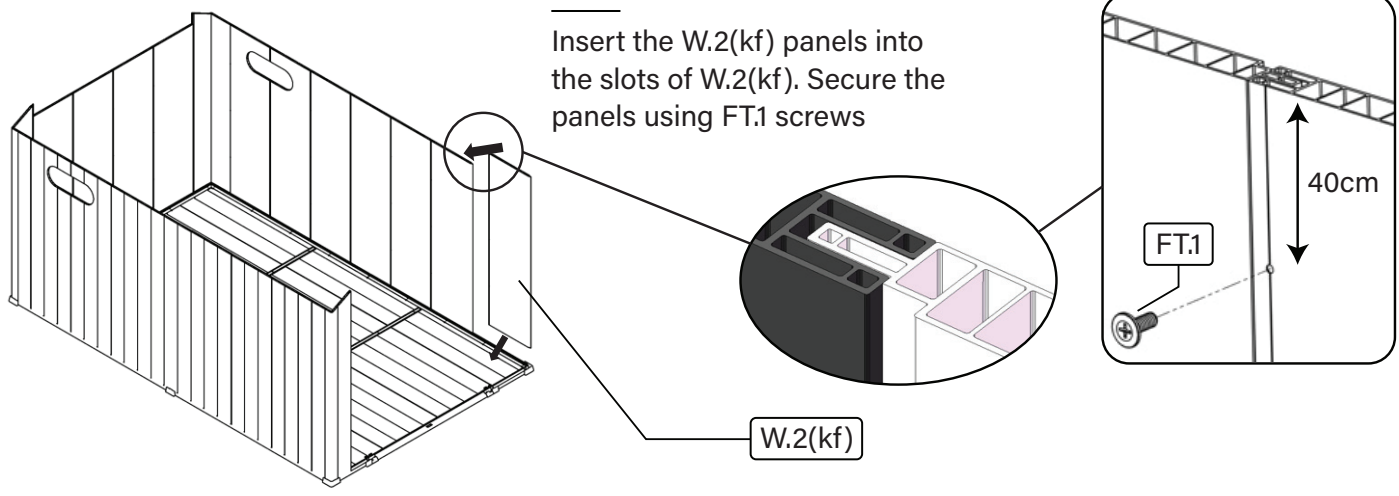
Insert 3 more W.2(kf) panels into the slots of W.2(kf). Secure the panels using FT.1 screws



			
W.5(kf) 1pcs	W.2(kf) 1pcs	(FT.1) 2pcs	W.6(kf) 1pcs

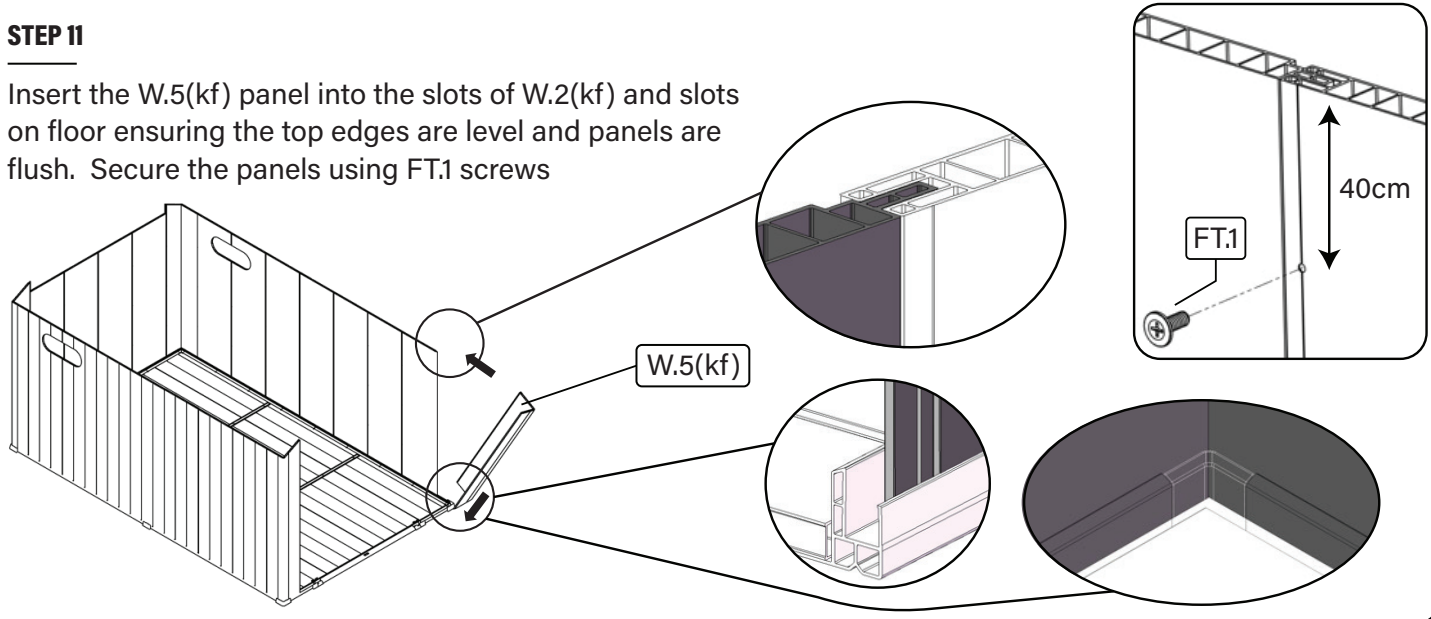
STEP 10

Insert the W.2(kf) panels into the slots of W.2(kf). Secure the panels using FT.1 screws



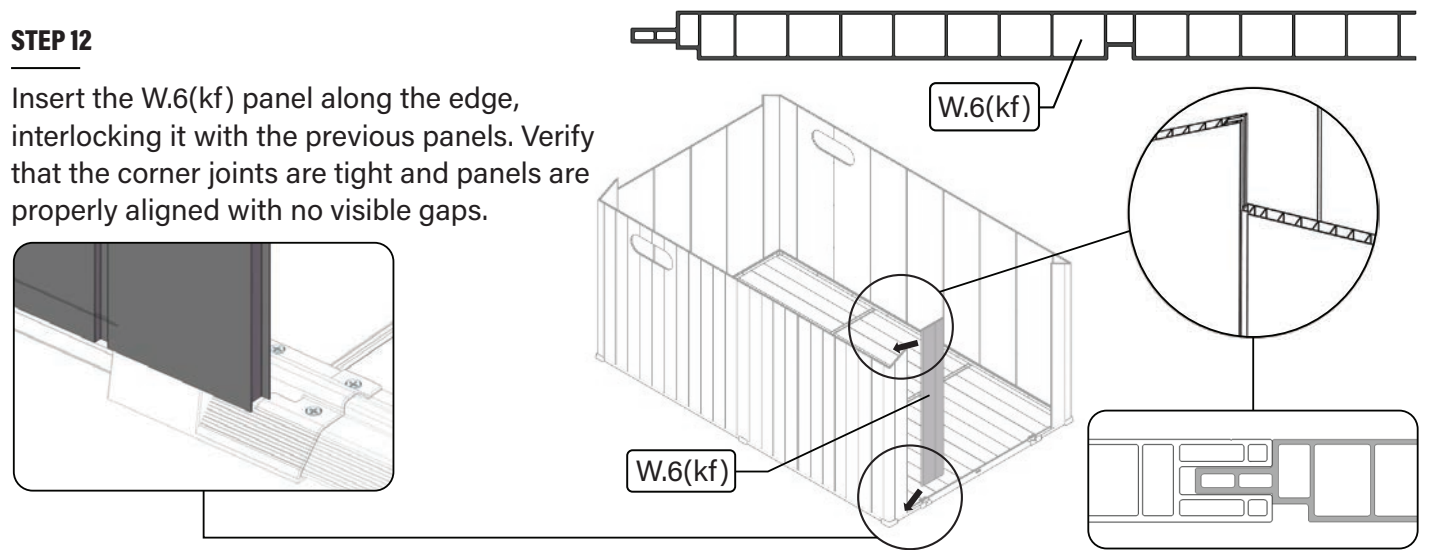
STEP 11

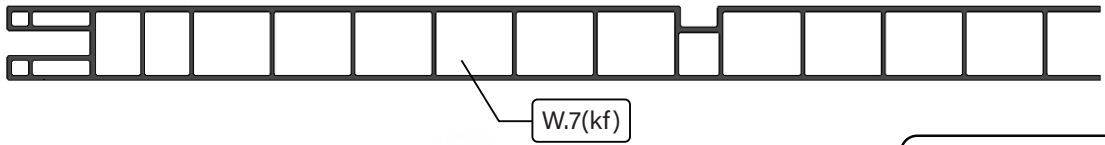
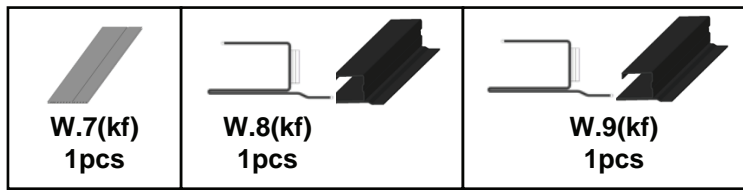
Insert the W.5(kf) panel into the slots of W.2(kf) and slots on floor ensuring the top edges are level and panels are flush. Secure the panels using FT.1 screws



STEP 12

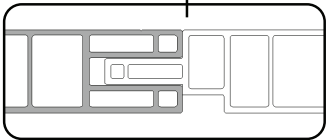
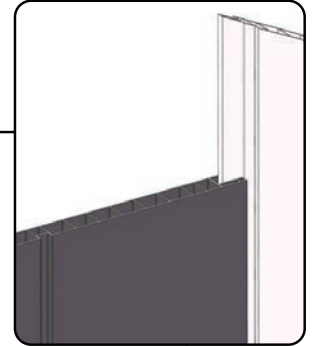
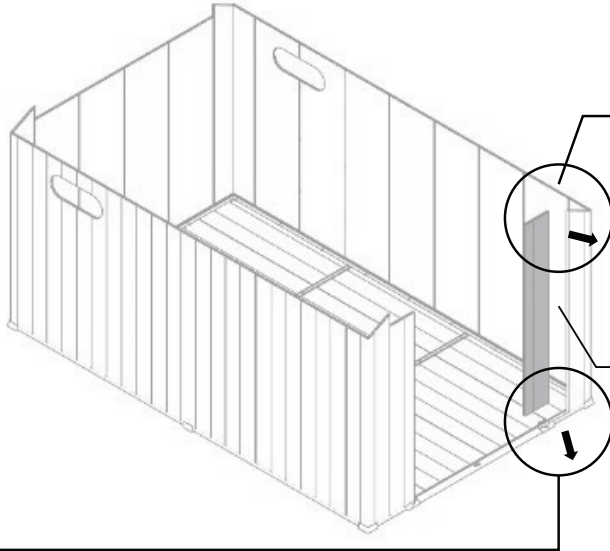
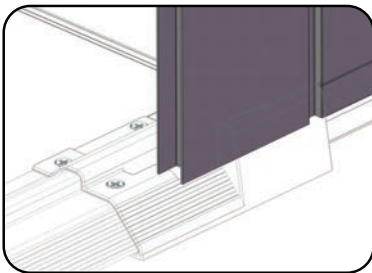
Insert the W.6(kf) panel along the edge, interlocking it with the previous panels. Verify that the corner joints are tight and panels are properly aligned with no visible gaps.



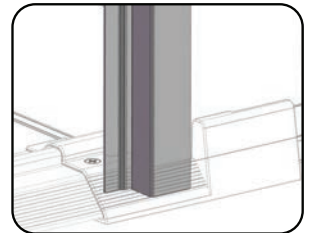
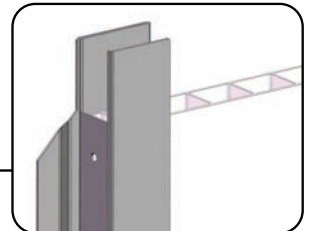
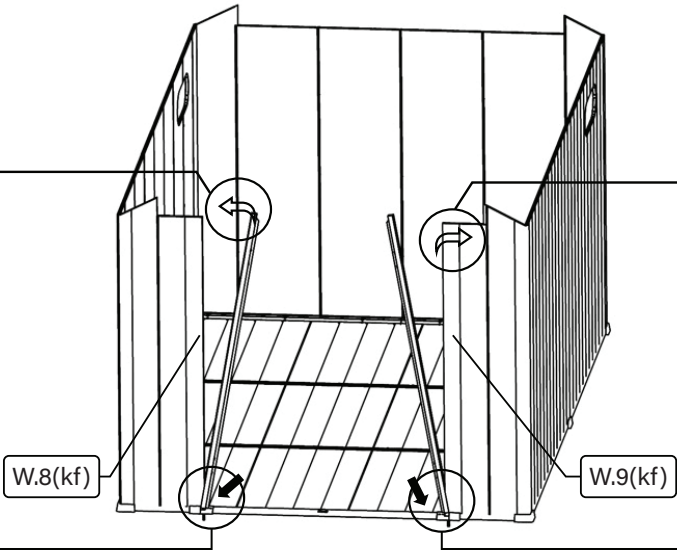
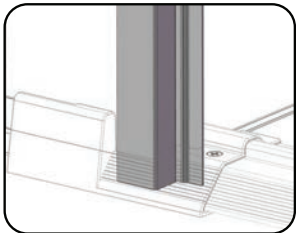
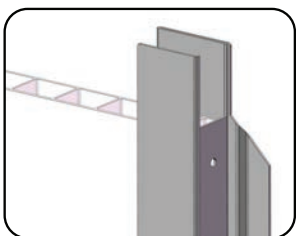


STEP 13

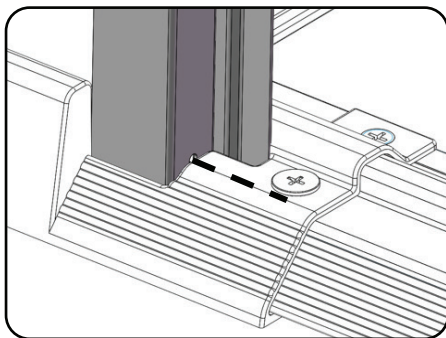
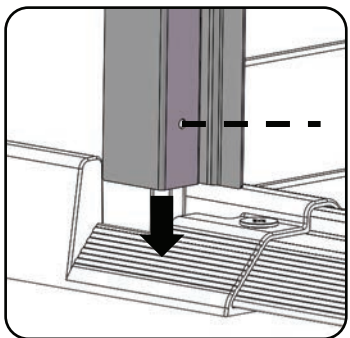
Insert the W.7(kf) panel vertically into the designated front frame slot.












STEP 14 Position W.8(kf) and W.9(kf) panels along the left and right door frames respectively. Ensure that the vertical edges of each panel fully insert into the slots of the door.



Insert the vertical edges into the left and right door frames

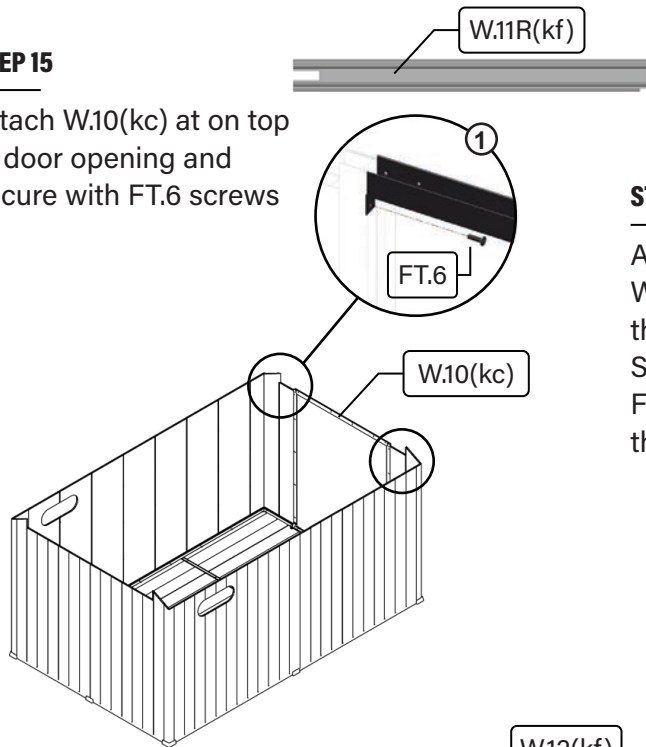


Note: The bottom identification holes of W.8(kf) / W.9(kf) are fully inserted into the slots.

 W.10(kc) 1pcs	 FT.6 2pcs	 W.11L(kf) 1pcs	 W.11R(kf) 1pcs	 W.12(kf) 1pcs	 WIR2.OUT X2	 WIR2.IN X2	 Flat Rubber sealing stripe 12*2mmX2	 Flat Rubber sealing stripe 5*2mmX2
--	---	--	--	---	--	--	---	--

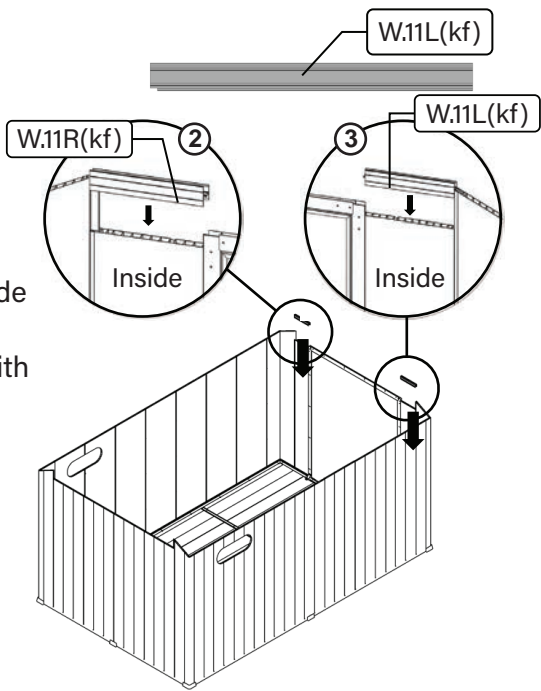
STEP 15

Attach W.10(kc) at on top of door opening and secure with FT.6 screws



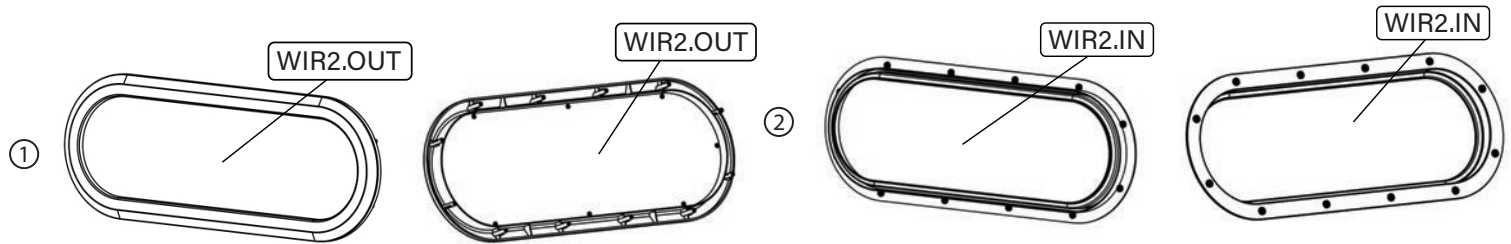
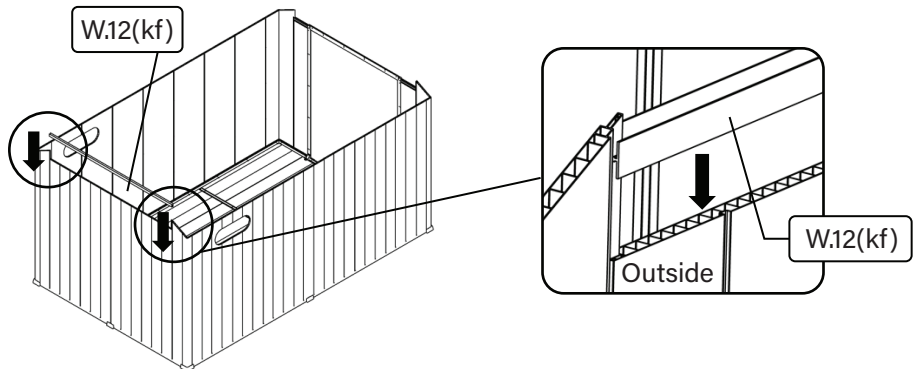
STEP 16

Attach W.11L(kf) and W.11R(kf) panels inside the wall openings. Secure the panels with FT.6 screws through the top frame holes.



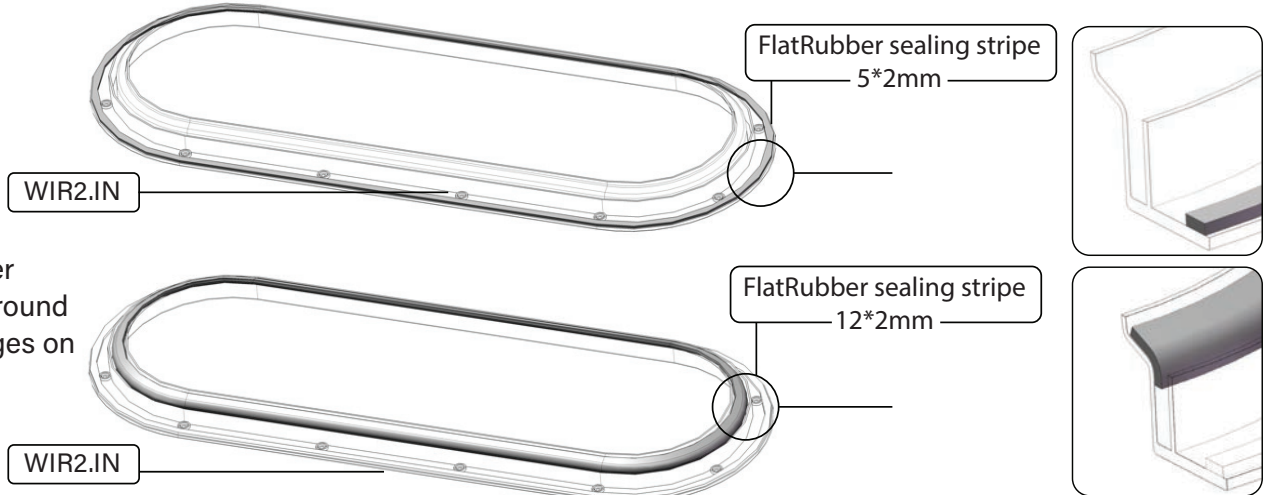
STEP 17

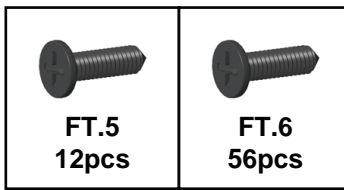
Insert W.12(kf) onto the top back of wall.



STEP 18

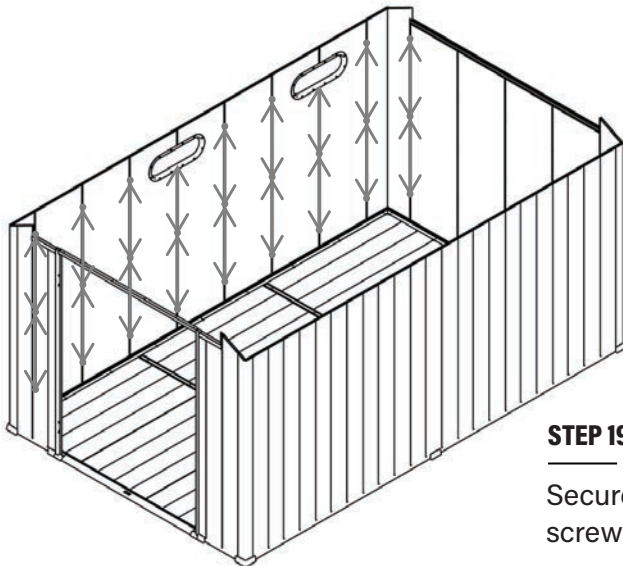
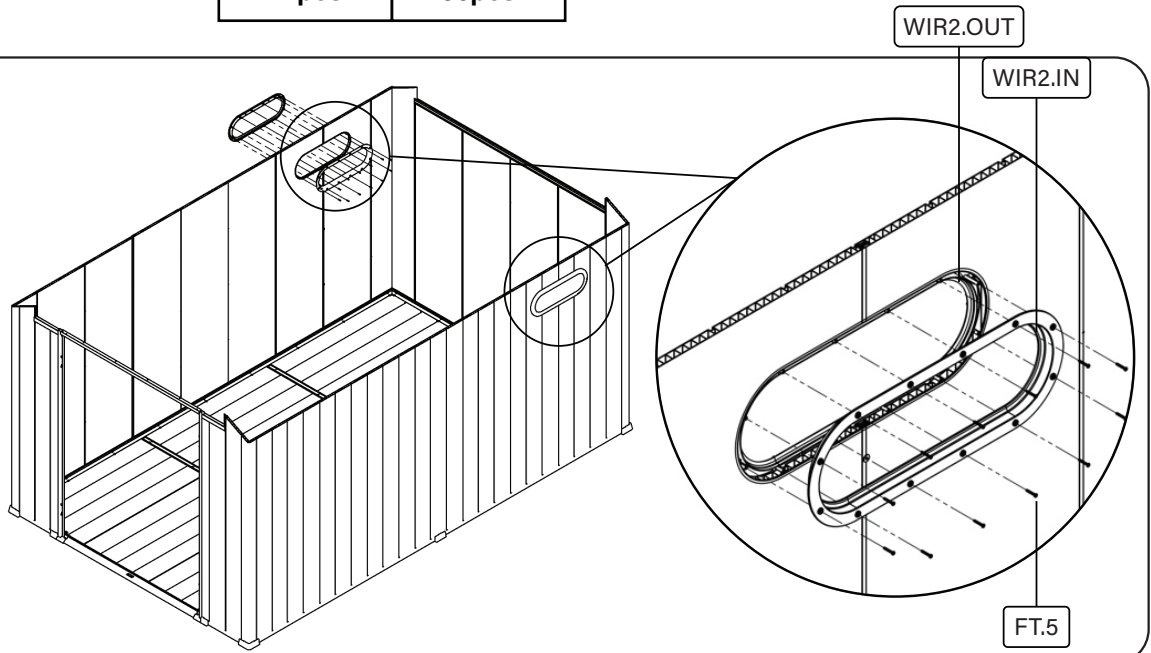
Apply flat rubber sealing strips around the window edges on WIR2.OUT and WIR2.IN





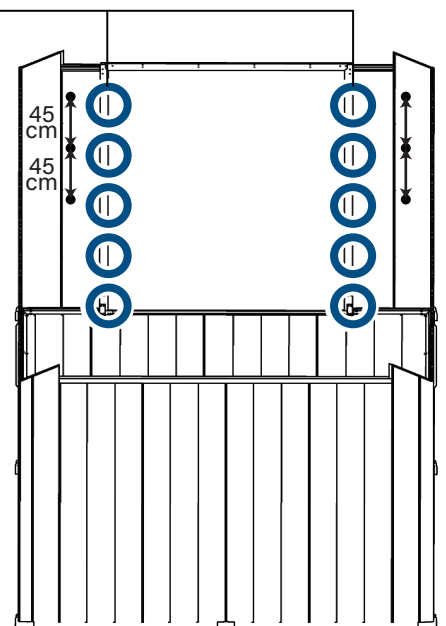
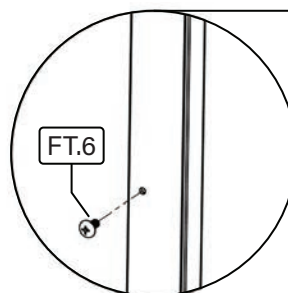
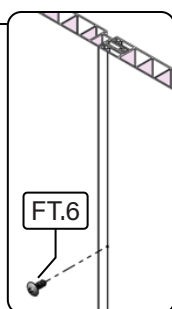
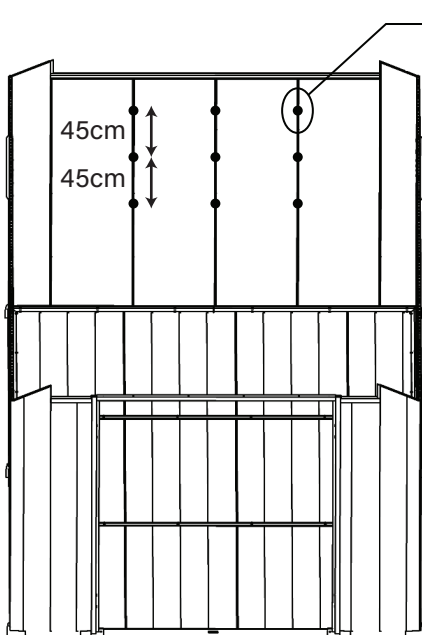
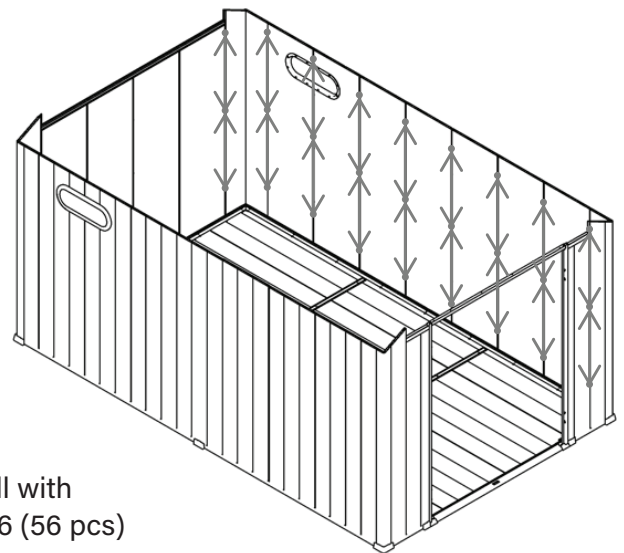
STEP 19

Place WIR2.OUT and WIR2.IN frames into the window openings. Attach using FT.5 screws

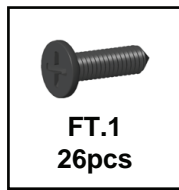


STEP 19.B

Secure wall with screws FT.6 (56 pcs)

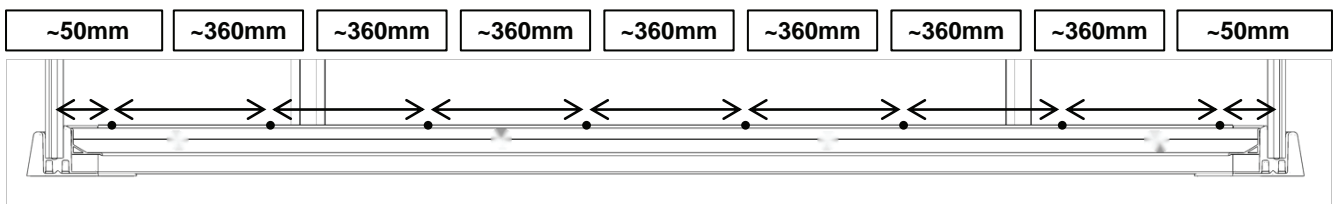
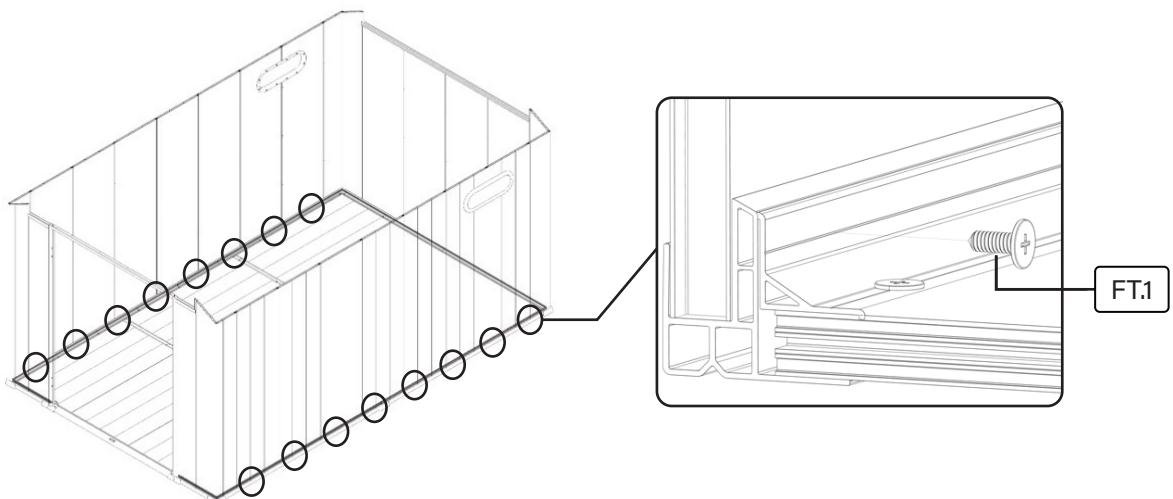
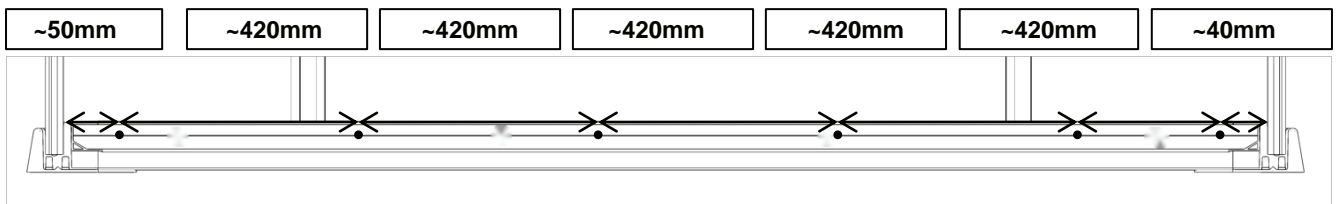
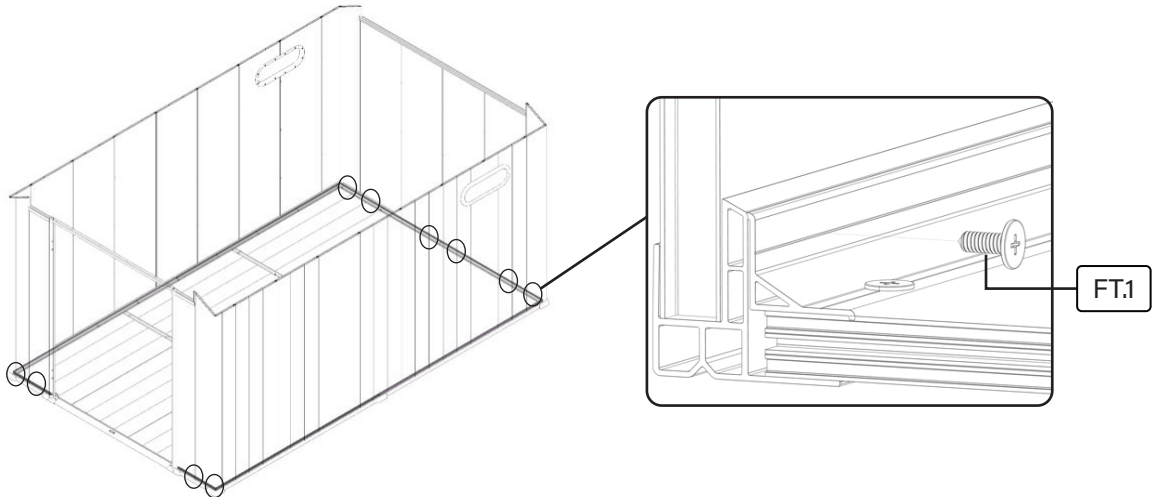


Pay attention to the force. Excessive force may damage the plastic panel.






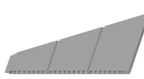
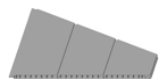




STEP 20

Secure wall to frame with screws FT.1 (26 pcs)



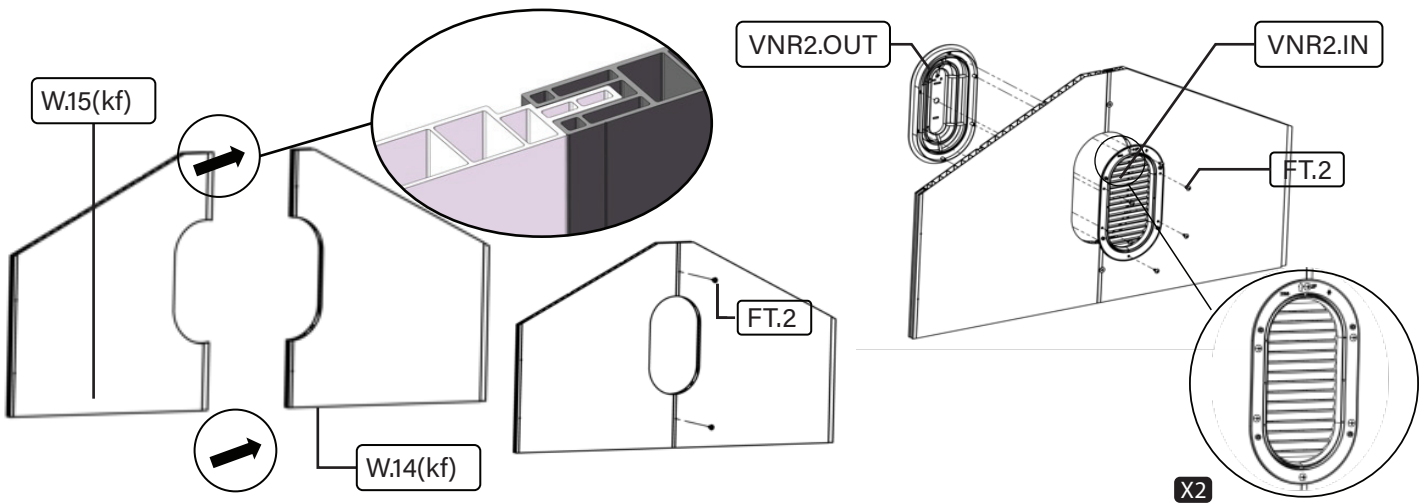
STEP 3 - ROOF INSTALLATION

								
W.14(kf) 2pcs	W.15(kf) 2pcs	VNR2.OUT 2pcs	VNR2.IN 2pcs	FT.2 34pcs	W.13(kf) 2pcs	W.16(k6) 2pcs	HD.1(kc) 2pcs	FT.6 8pcs

STEP 1

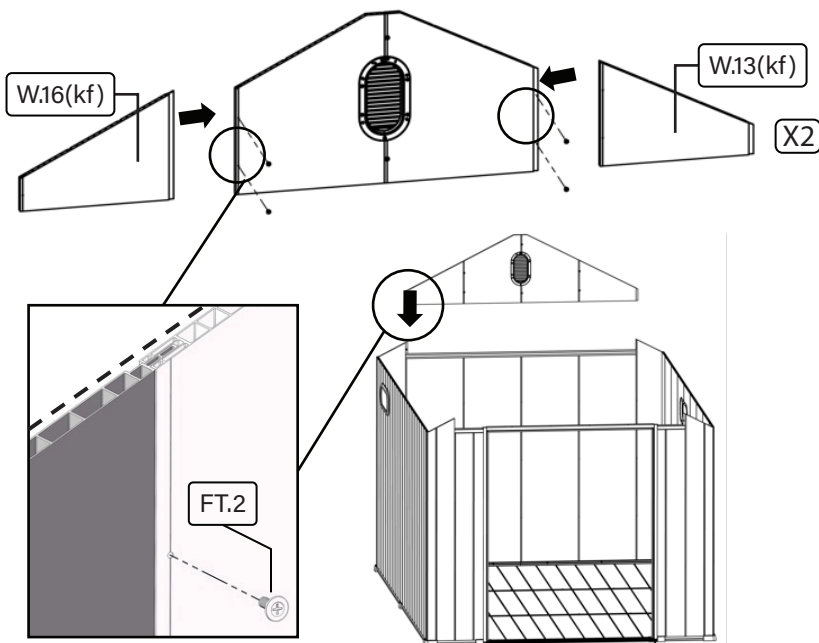
Connect W.15(kf) with W.14(kf) secure with FT.2 screws (x2)

Install vent frames VNR2.OUT and VNR2.IN and secure using FT.2 screws (x6)



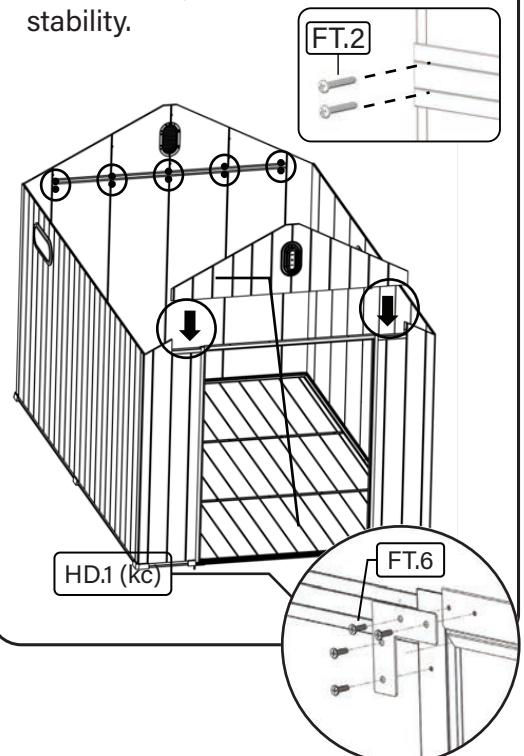
STEP 2




Attach W.16(kf) to W.15(kf8) and W.13(kf6) to W.14(kf8) and secure FT.2 screws (x2)



STEP 3

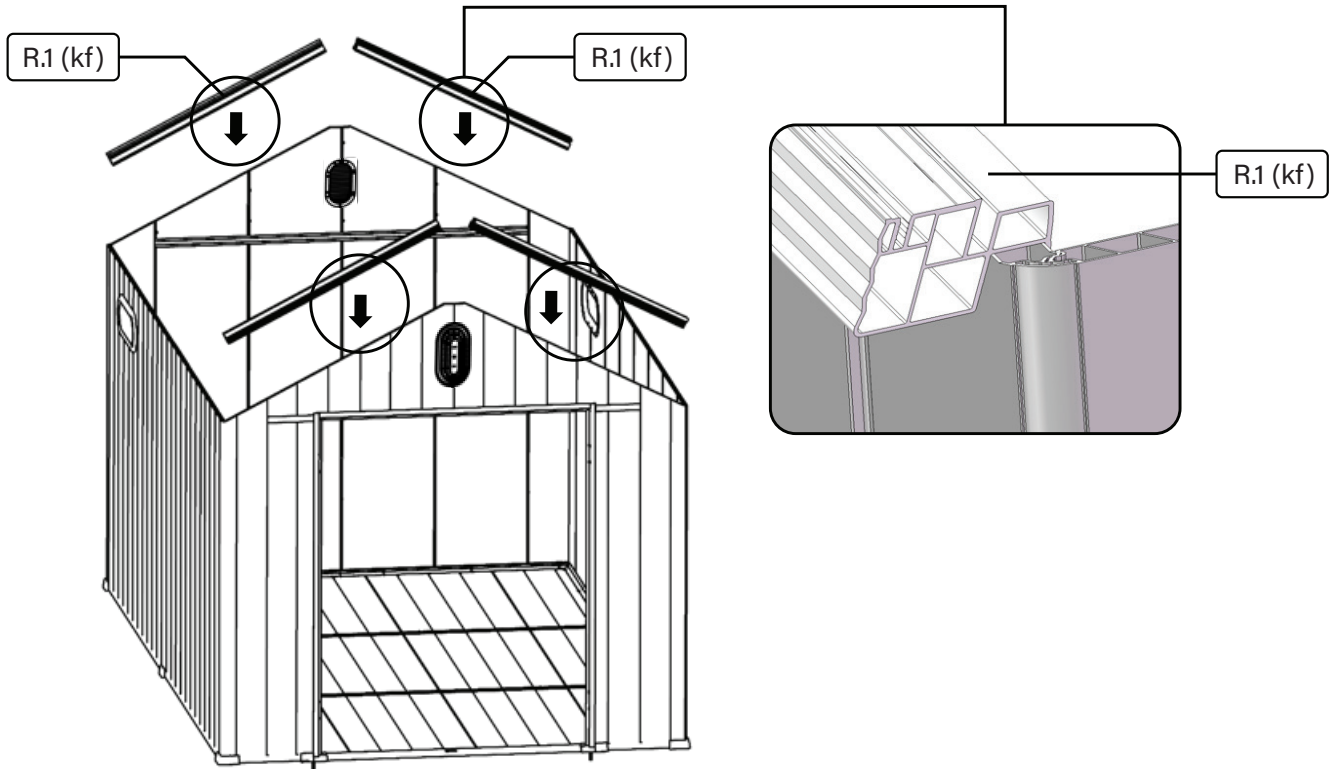
Insert these pieces on the front and back of shed and mount HD.1(kc) brackets with FT.6 screws to the interior roof joints to reinforce stability.



		
R.1(kf) 4pcs	R.2B (kf812) 6pcs	KCRBLC 4pcs

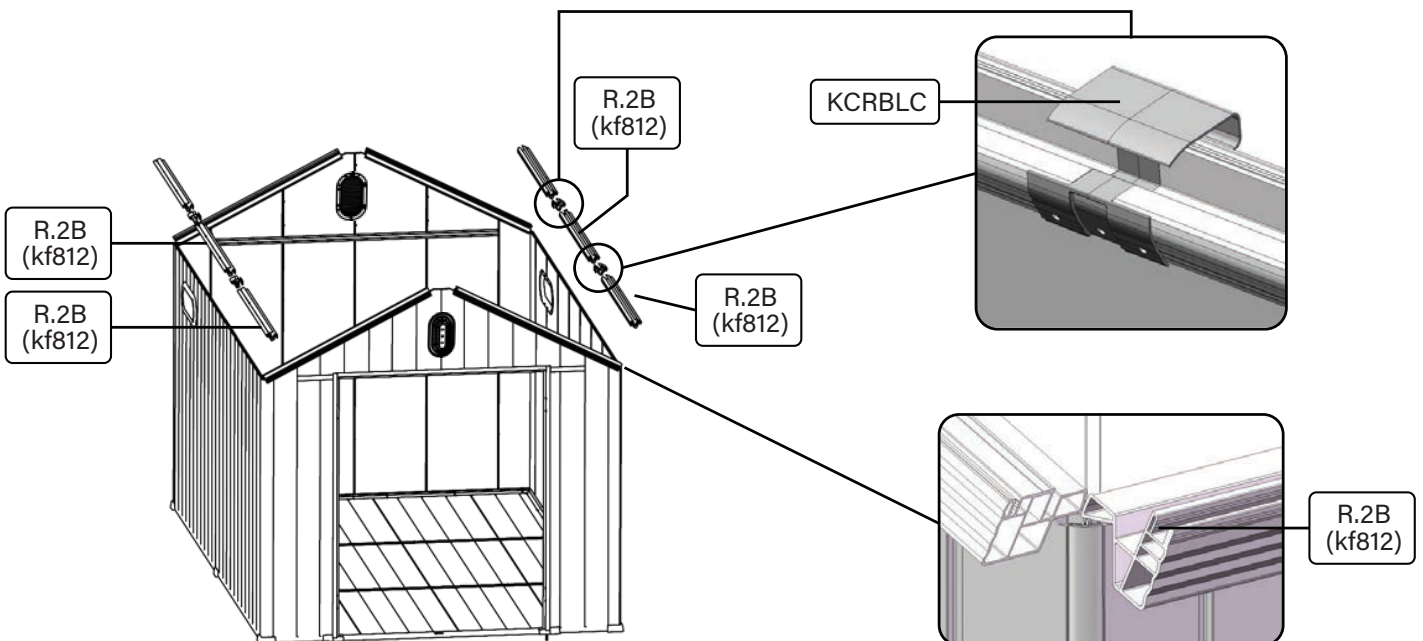
STEP 4








Connect R.1(kf) roof beams across the top on front and back ensuring they interlock securely.



STEP 5

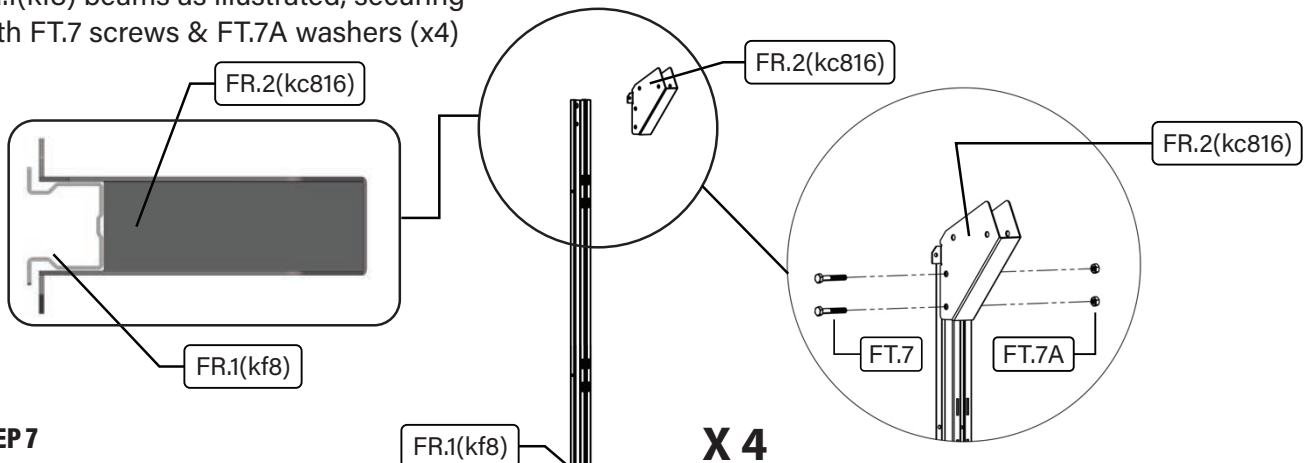
Install R.2B(kf812) beams on sides using KCRBLC connectors.



 FR.2(kc816) 4pcs	 FR.1(kf8) 4pcs	 FR.14(kc) 4pcs	 FT.7 16pcs	 FT.7A 16pcs	 FT.3 8pcs	 FT.2 32pcs
---	---	---	---	---	--	---

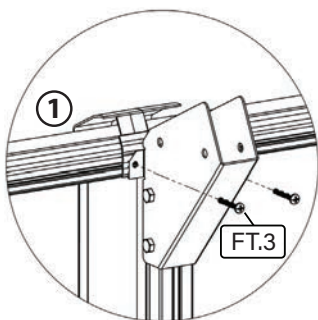
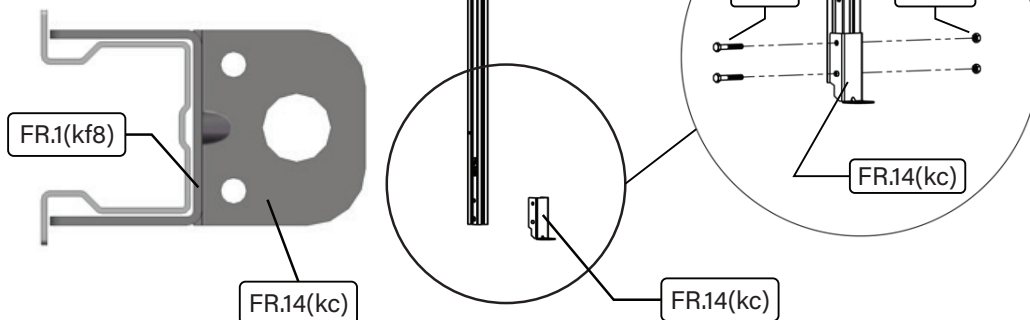
STEP 6

Attach FR.2(kc816) Brackets to the FR.1(kf8) beams as illustrated, securing with FT.7 screws & FT.7A washers (x4)



STEP 7

Attach FR.14(kc) brackets to the FR.1(kf8) beams as illustrated, securing with FT.7 screws & FT.7A washers (x4)

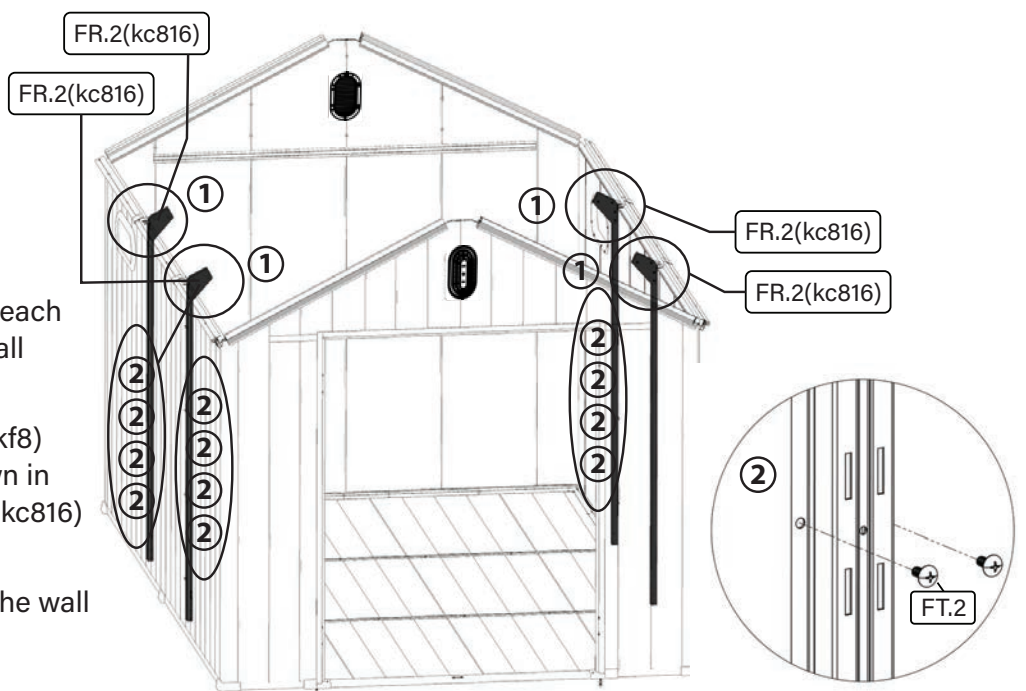







STEP 8

Use FT.3 screws to reinforce each bracket connection. Tighten all fasteners evenly.

Position the completed FR.1(kf8) frames (inside shed) as shown in image and connect top FR.2(kc816) using FT.3 screws

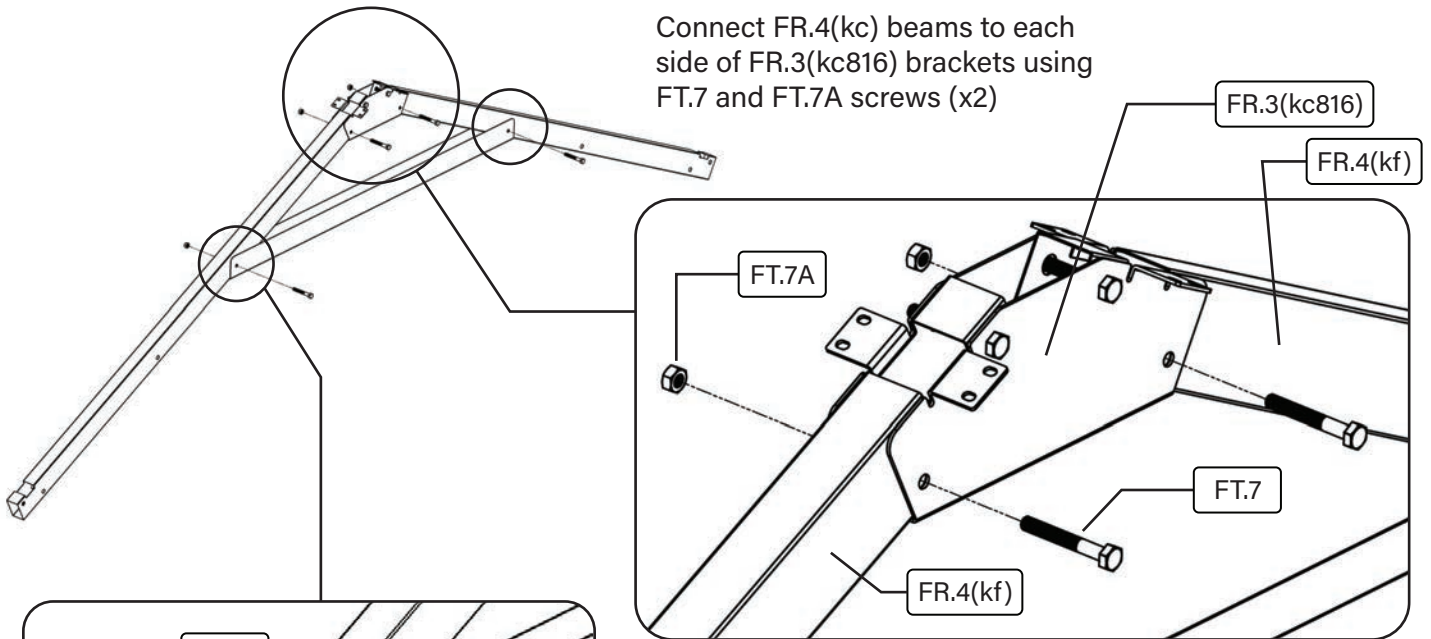
Fasten each vertical joint to the wall structure using FT.2 screws, ensuring full stability.



				
FR.3(kc816) 2pcs	FR.4(kc) 4pcs	FR.5(kf) 2pcs	FT.7 24pcs	FT.7 A 24pcs

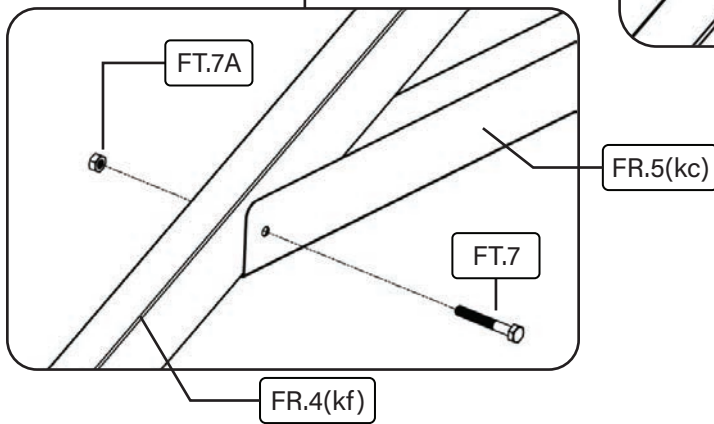
STEP 9

Connect FR.4(kc) beams to each side of FR.3(kc816) brackets using FT.7 and FT.7A screws (x2)



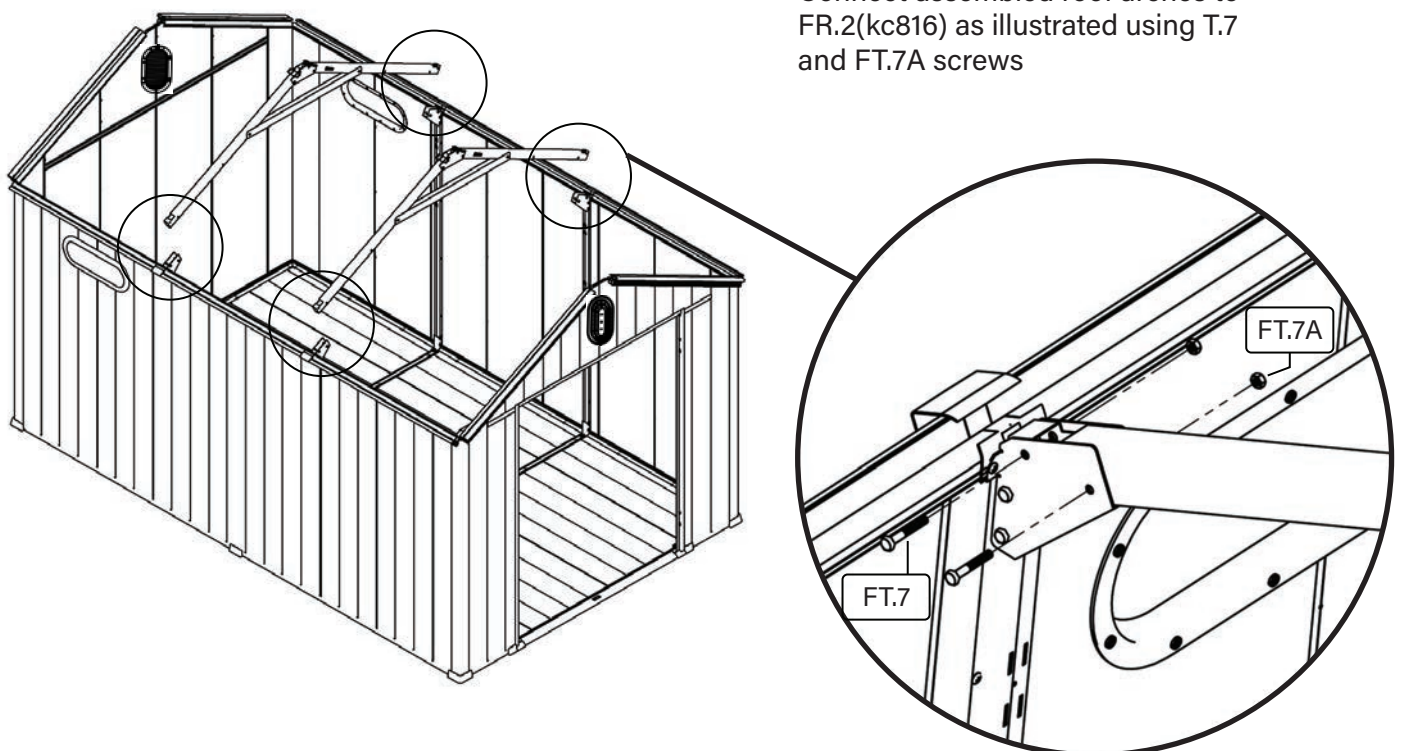
STEP 10







Insert FR.5(kf) cross beams between the two roof assemblies as shown in the diagram. Secure using FT.7 and FT.7A screws



STEP 11

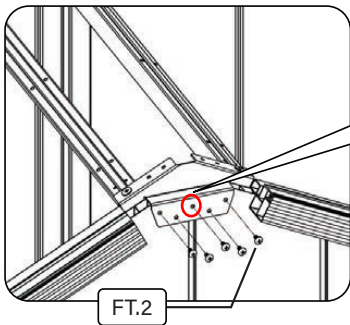
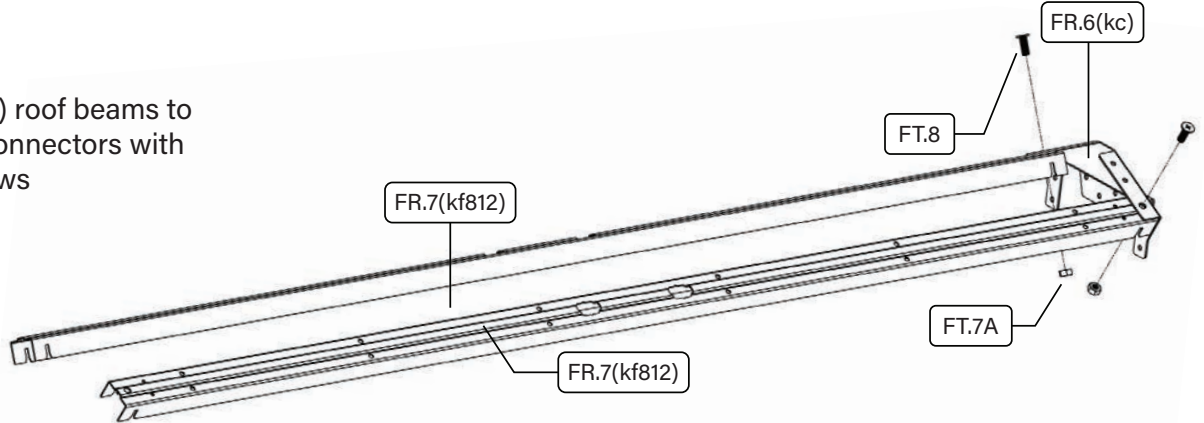
Connect assembled roof arches to FR.2(kc816) as illustrated using T.7 and FT.7A screws



 FT.2 14pcs	 FT.8 2pcs	 FT.7A 2pcs	 FR.6(kc) 1pcs	 FR.7(kf812) 2pcs	 FR.8(kf812) 2pcs
--	---	--	---	---	--

STEP 12

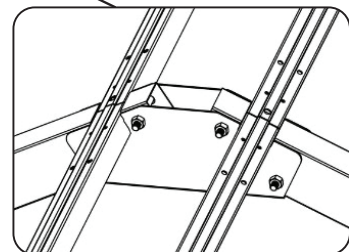
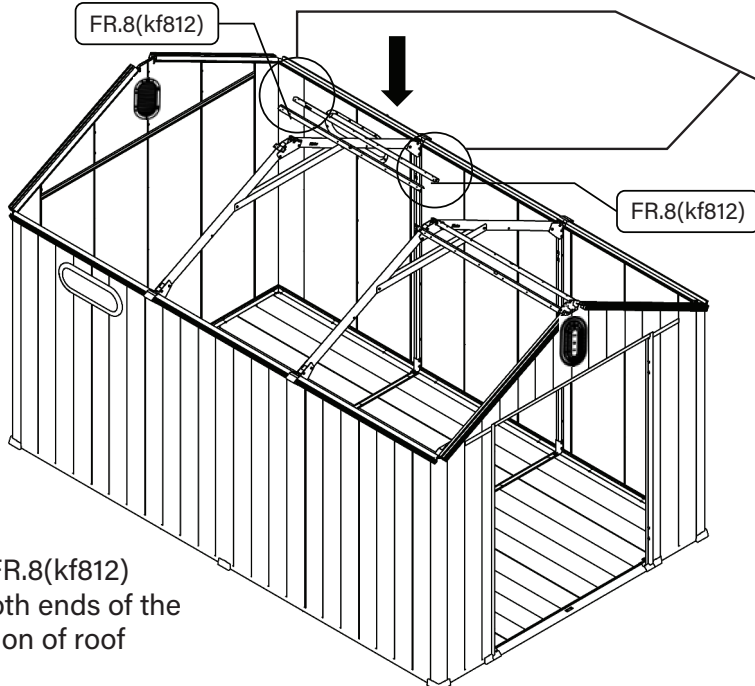
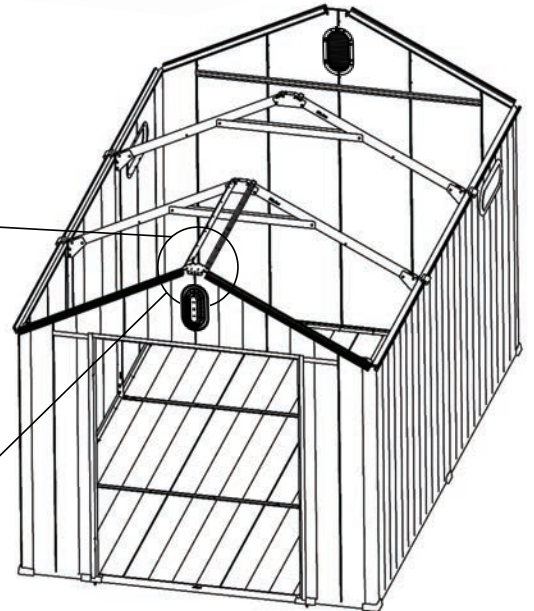
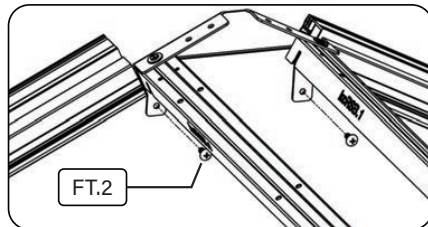
Attach FR.7(kf812) roof beams to FR.6(kc) center connectors with FT.8 & FT.7A screws



The hole should line up with the grooves






STEP 13

Attach the assembled FR.7(kf812) to the roof of front of shed using FT.2 screws as illustrated



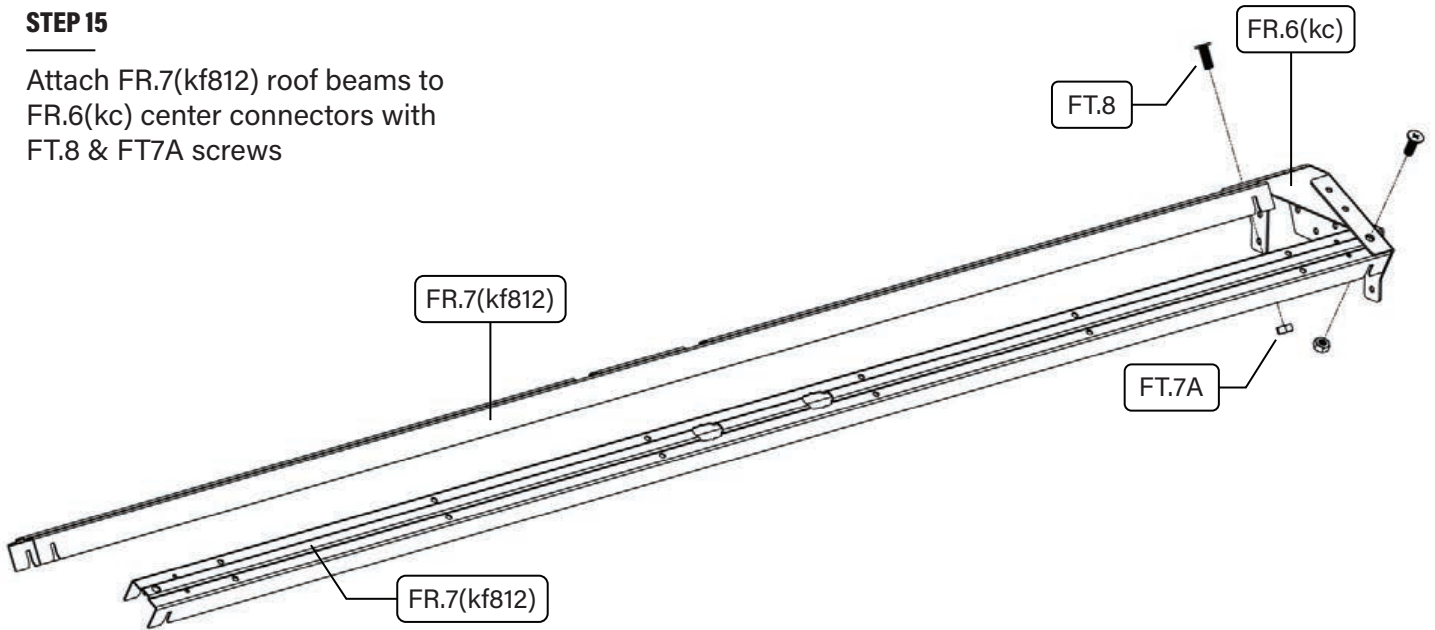
STEP 14

Attach the FR.8(kf812) beams at both ends of the middle section of roof

				
FT.2 14pcs	FT.8 2pcs	FT.7A 2pcs	FR.6(kc) 1pcs	FR.7(kf812) 2pcs

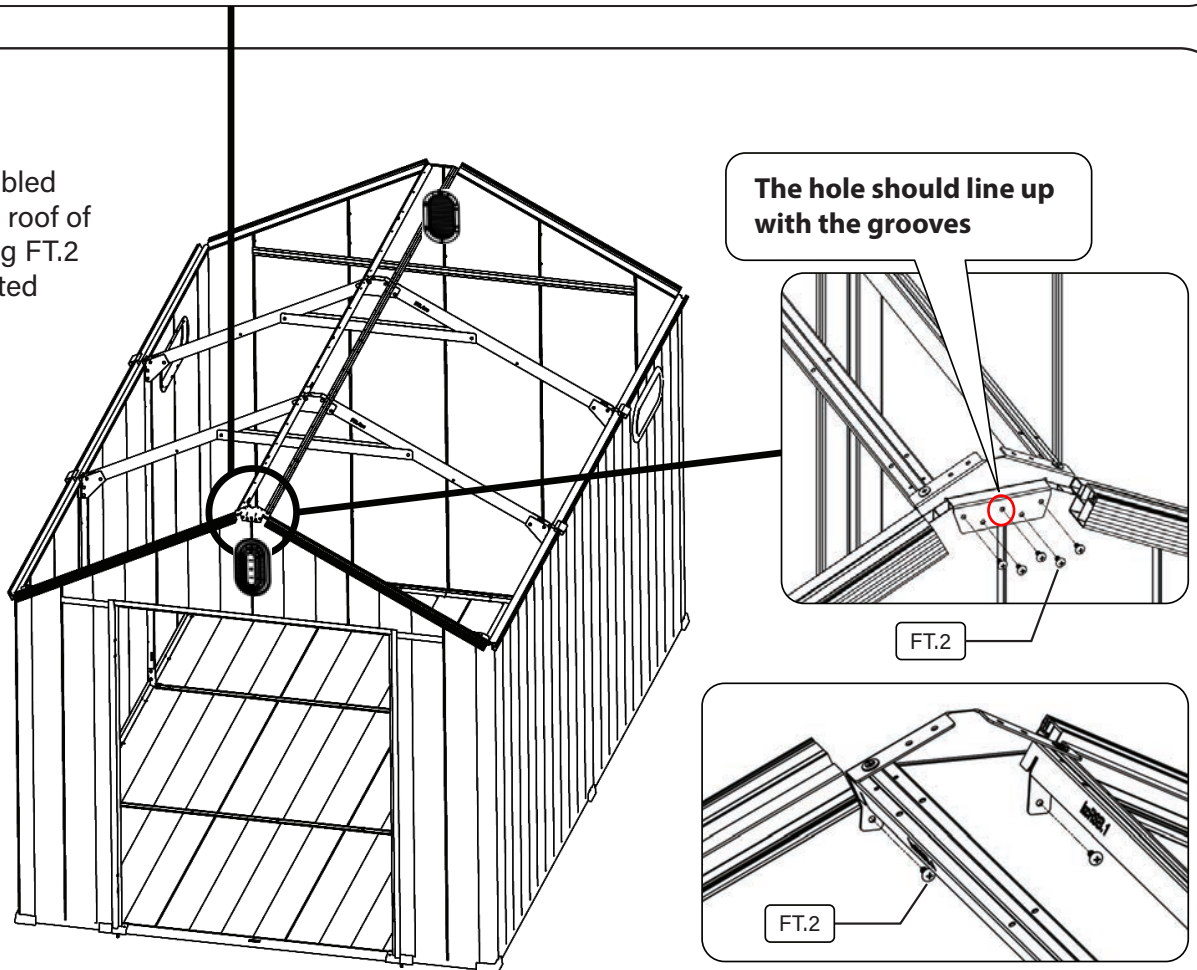
STEP 15

Attach FR.7(kf812) roof beams to FR.6(kc) center connectors with FT.8 & FT7A screws



STEP 16

Attach the assembled FR.7(kf812) to the roof of front of shed using FT.2 screws as illustrated

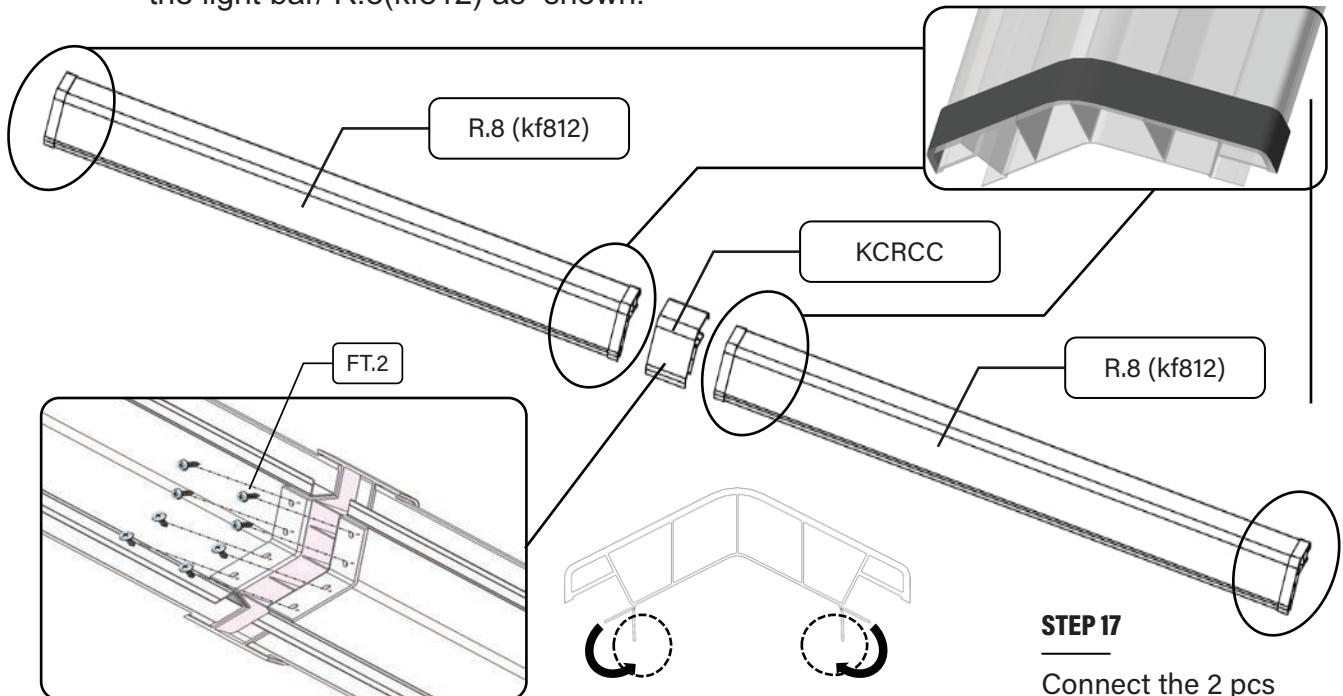


The hole should line up with the grooves



Stick the sealing strip on 4 seams of the light bar/ R.8(kf812) as shown.

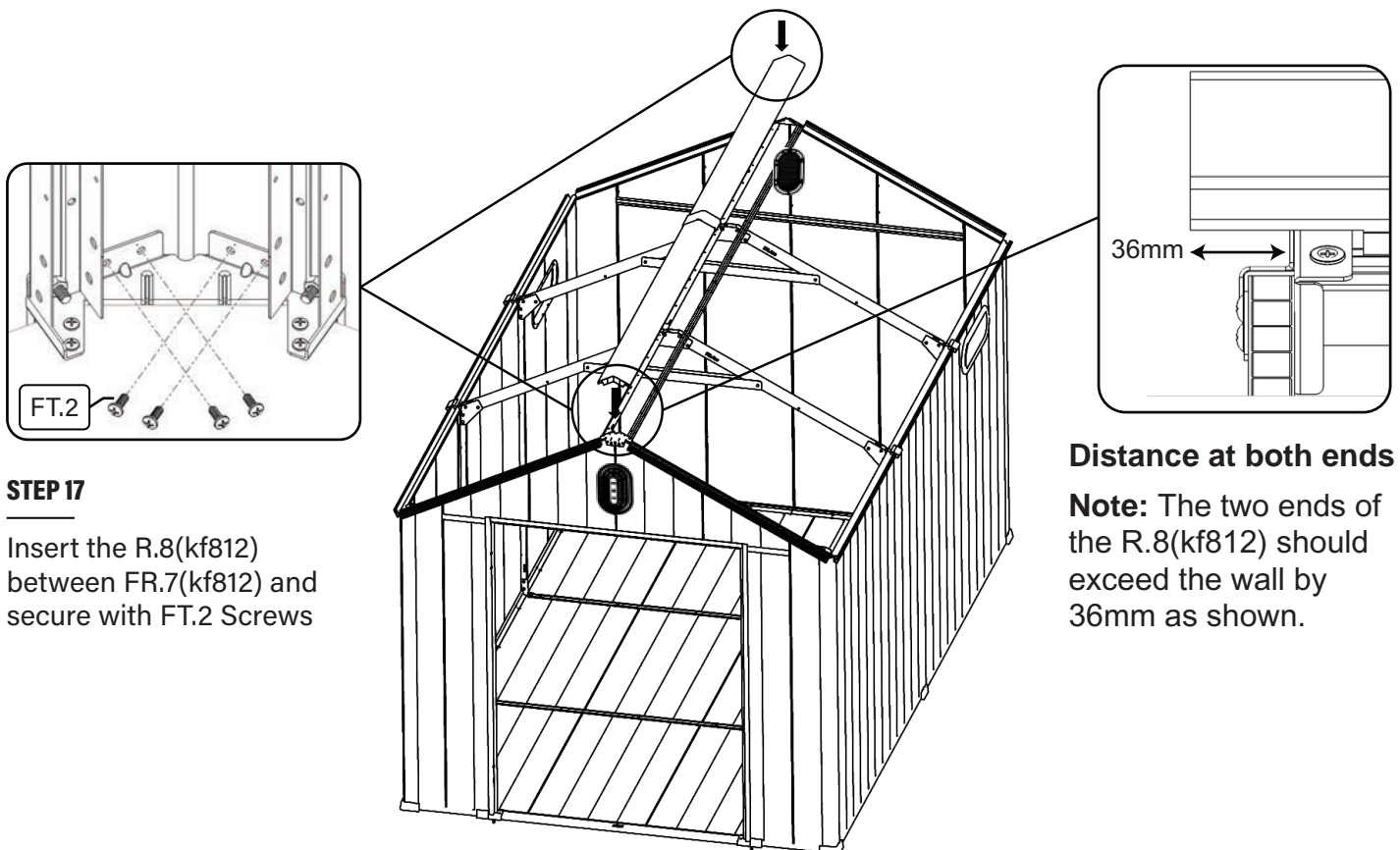
Rubber sealing strip
(20mm*2mm)



STEP 17

Connect the 2 pcs of R.8(kf812) with KCRRC

Note: Manually bend the lower edge of the R.8(kf812) downward until straight.


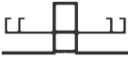






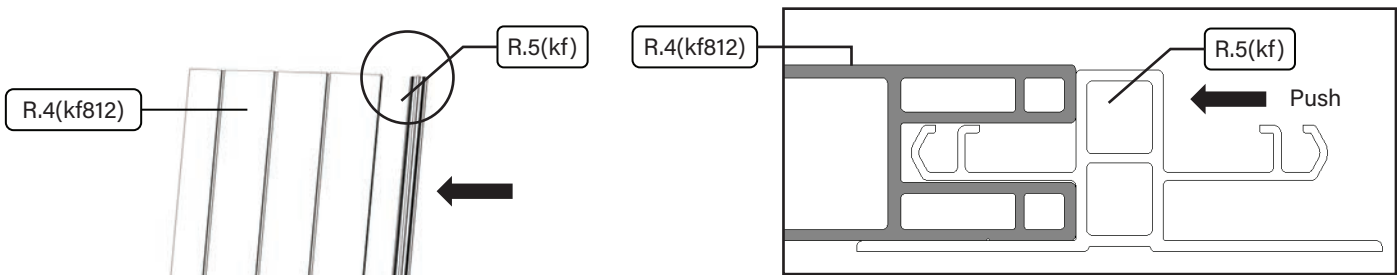
STEP 17

Insert the R.8(kf812) between FR.7(kf812) and secure with FT.2 Screws

Distance at both ends

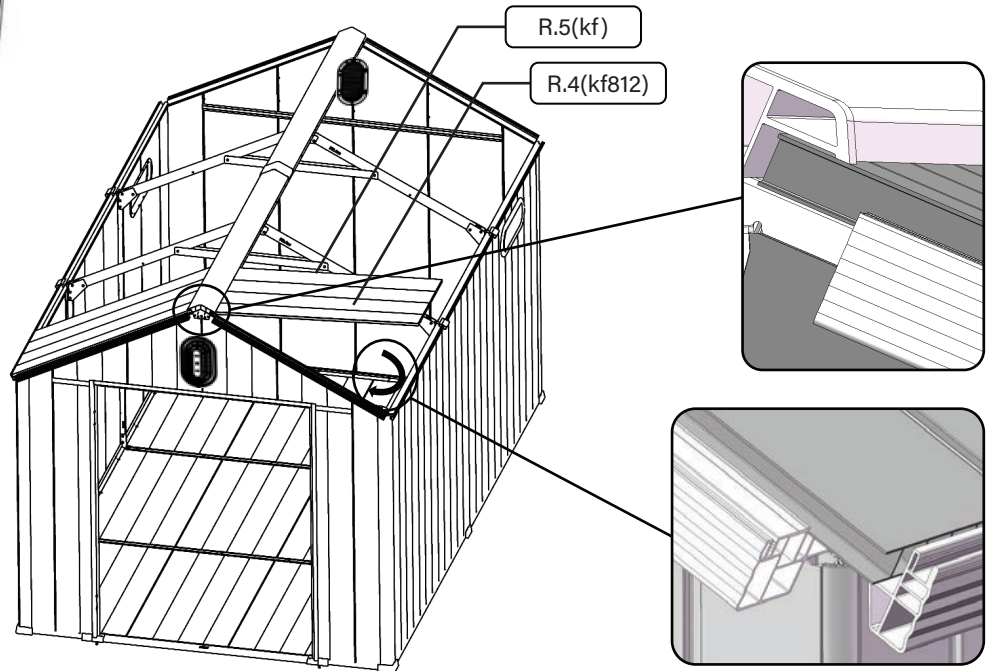
Note: The two ends of the R.8(kf812) should exceed the wall by 36mm as shown.

 R.4 (kf812) 2pcs	 R.5(kf) 2pcs	 HD.2 (kc) 1pcs	 FT.3 4pcs	 FT.2 6pcs	 HD.3 (kc) 2pcs
--	--	--	---	---	--



STEP 18

Insert the R.5(kf) into the Top Panel's slot (R.4(kf812)) until fully engaged.

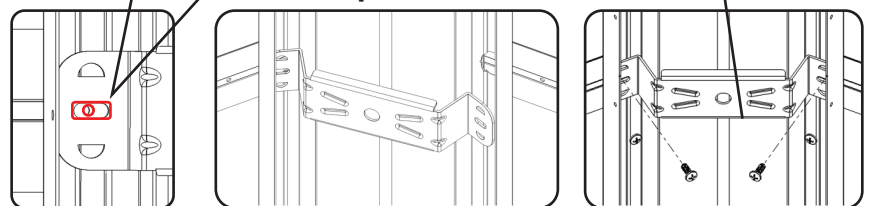


STEP 19

Insert the top of panel (R.4(kf 812)) at an angle into the R.8(kf812) slot until fully engaged, then place the other end of the panel (R.4(kf 812)) onto the R.2B(kf812) as the shown.

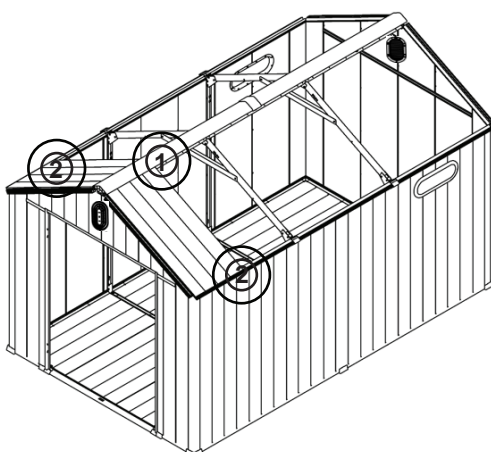
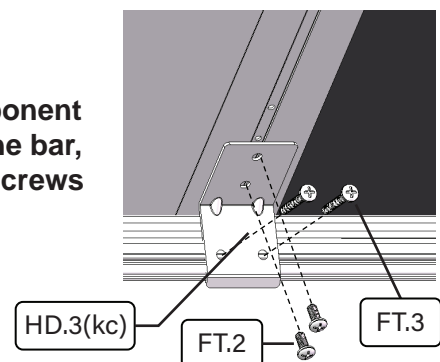
Pay attention to aligning the hole positions

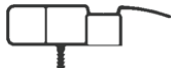

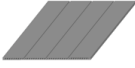
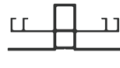

Step 1 - Inside View

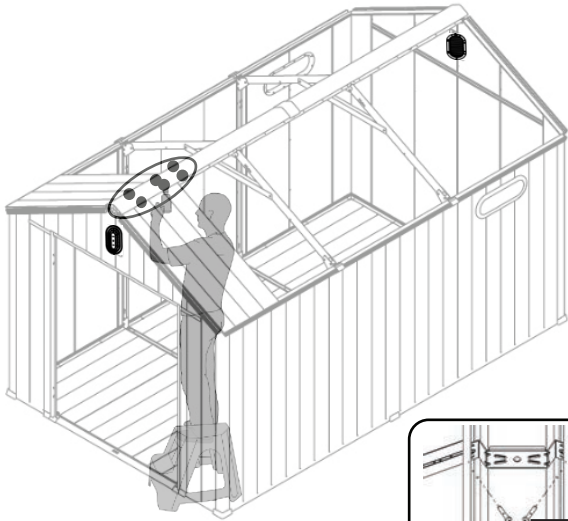


Step 2 - Inside View

Fix the L component (HD.3(kc)) to the bar, then lock the screws

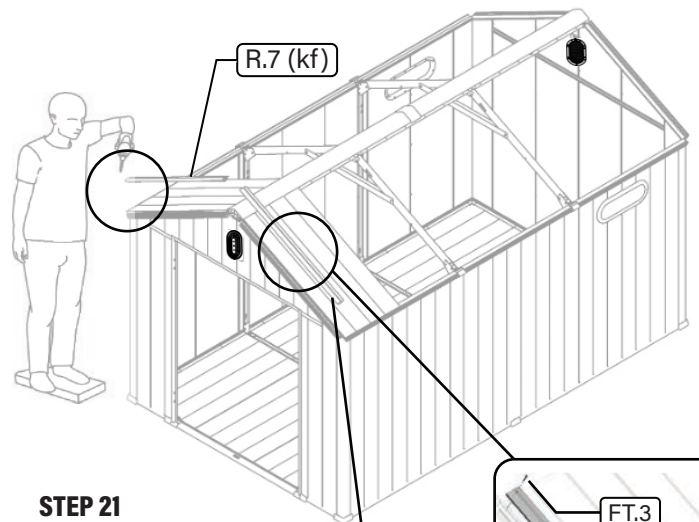
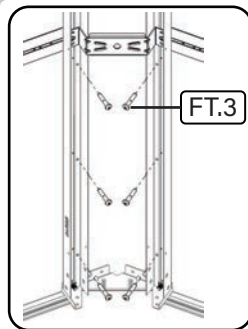


				
R.7(kf) 2pcs	FT.3 12pcs	R.6(kf) 2pcs	R.5(kf) 2pcs	FT.2 16pcs



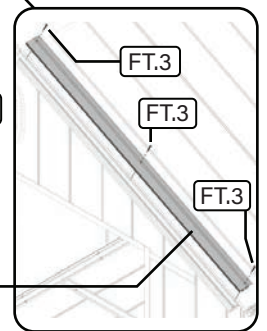
STEP 20

Press down the ridge R.8(kf812) to lock it into FR.7(kf812) and secure with FT.3 screws



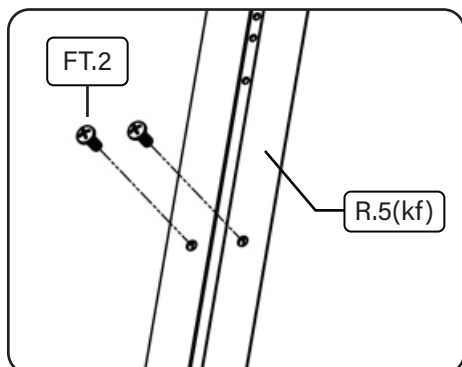
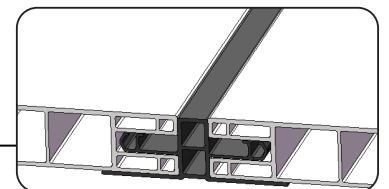
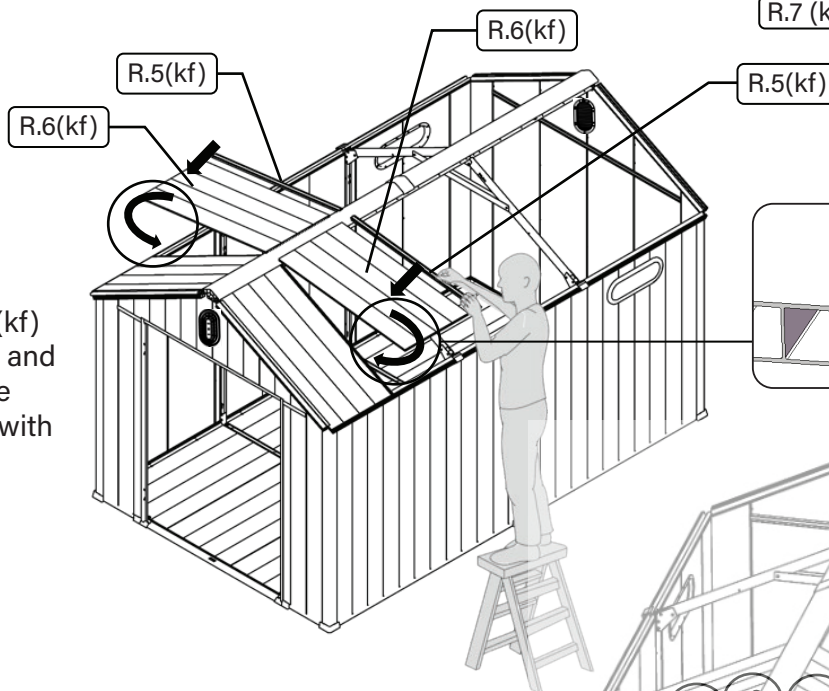
STEP 21

Attach R.7(kf) per illustration with FT.3 Screws from outside.

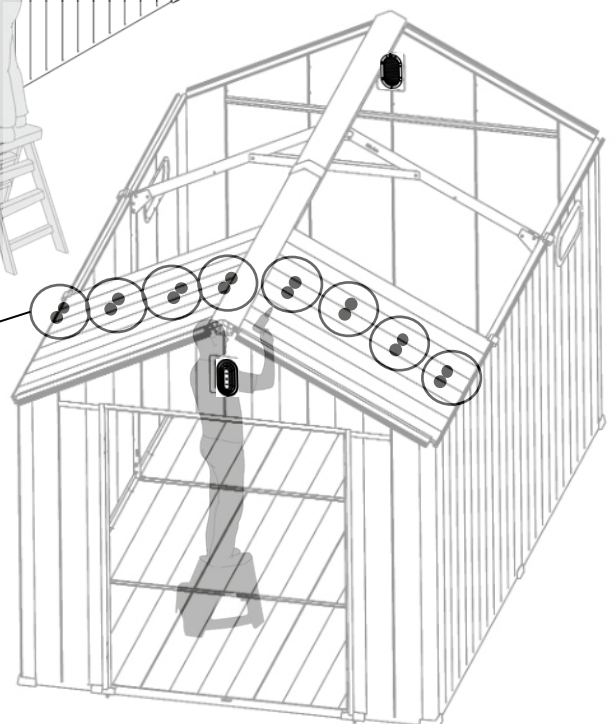






STEP 22

Place R.6(kf) and R.5(kf) panels per illustration and ensure no gaps before fastening completely with FT.2 screws



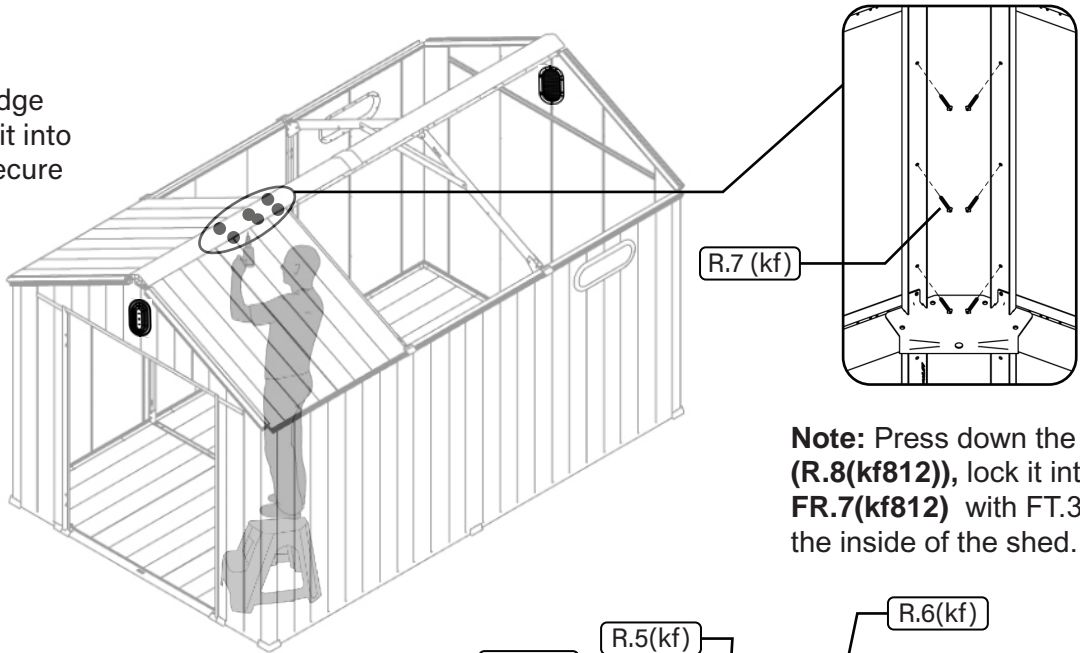
Note: keep R.6(kf) and R.5(kf) tight before locking screw inside.



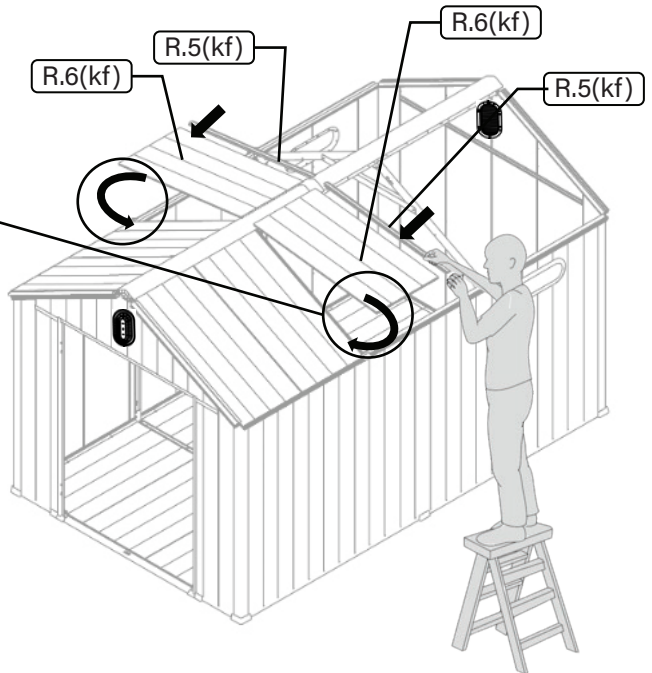
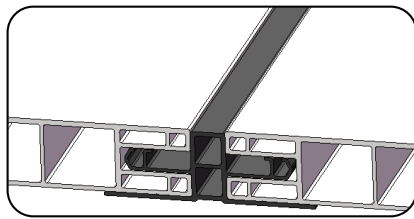
 <p>FT.3 6pcs</p>	 <p>R.6(kf) 2pcs</p>	 <p>R.5(kf) 2pcs</p>	 <p>FT.2 16pcs</p>
--	---	---	---

STEP 23

Press down the ridge R.8(kf812) to lock it into FR.7(kf812) and secure with FT.3 screws

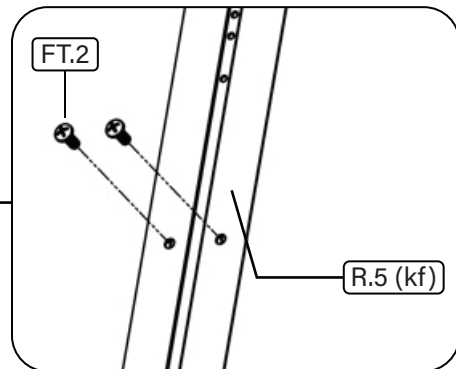
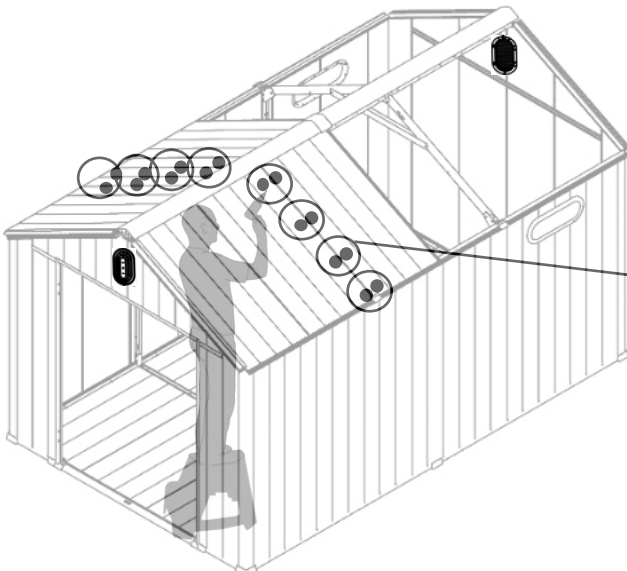


Note: Press down the ridge (R.8(kf812)), lock it into FR.7(kf812) with FT.3 from the inside of the shed.



STEP 24

Place R.6(kf) and R.5(kf) panels per illustration and ensure no gaps before fastening completely with FT.2 screws



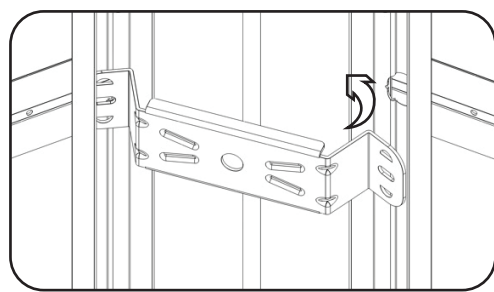
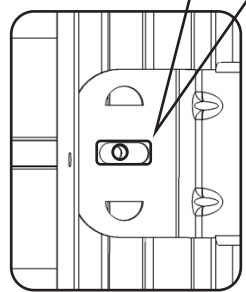
Note: keep R.6(kf) and R.5(kf) tight before locking screw inside.

				
HD.2 (kc) 1pcs	FT.3 4pcs	FT.2 6pcs	HD.3 (kc) 2pcs	FT.3 6pcs

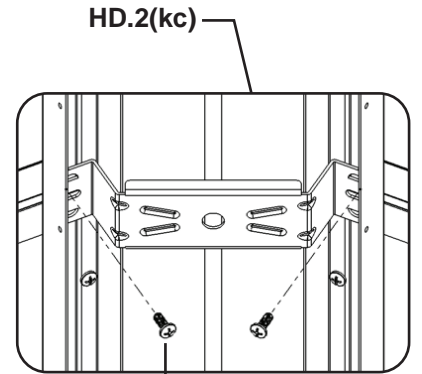
STEP 25

Align HD.2(kc) on the roof interior and secure it with FT.2 screws.

Pay attention to aligning the hole positions



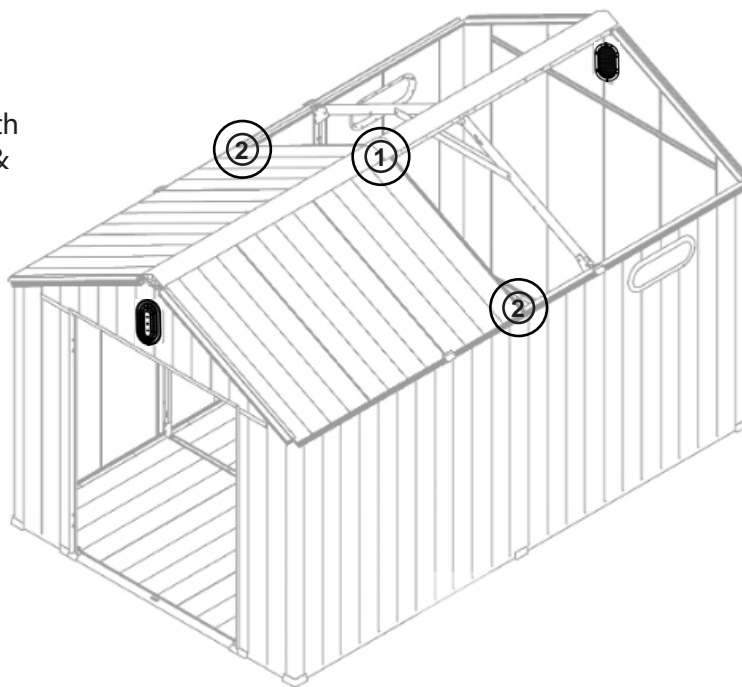
Step 1 - Inside View



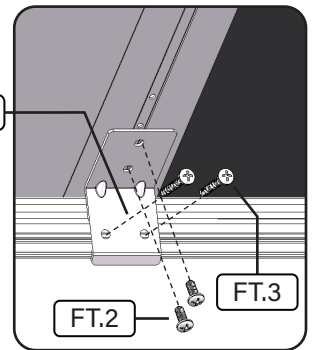
FT.2

STEP 26

Attach HD.3(kc) L-brackets on both sides using FT.2 & FT.3 screws



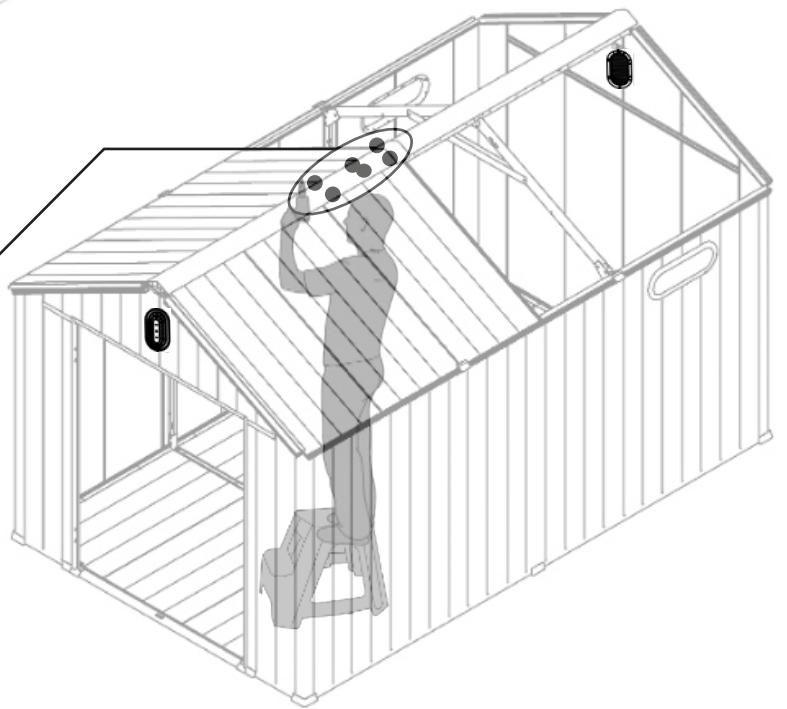
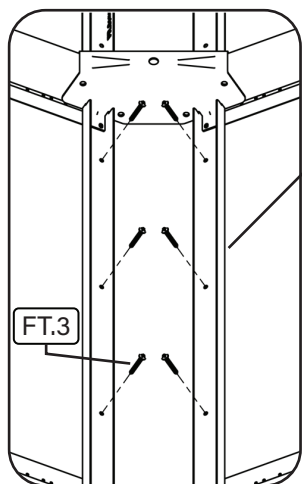
Step 2 - Inside View



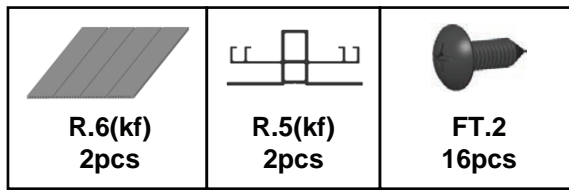
Fix the L component to the bar, then lock the screws

STEP 27

Press down the ridge R.8(kf812) to lock it into FR.7(kf812) and secure with FT.3 screws

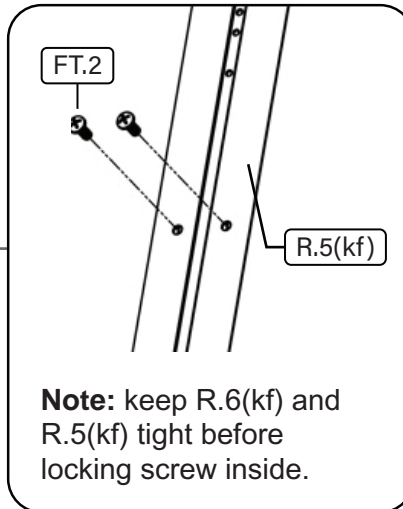
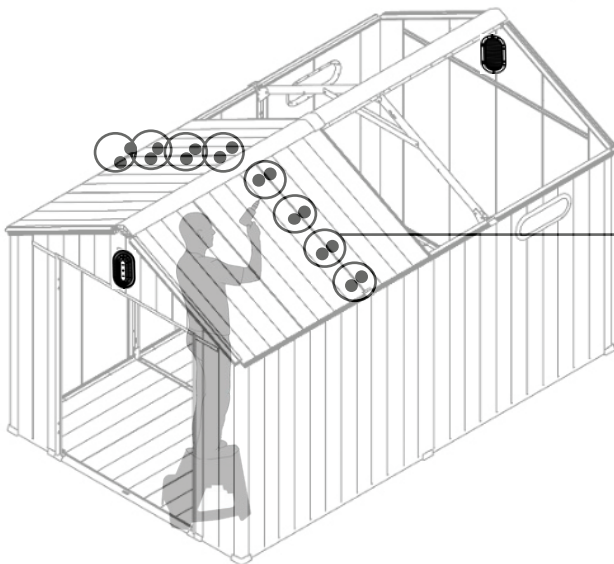
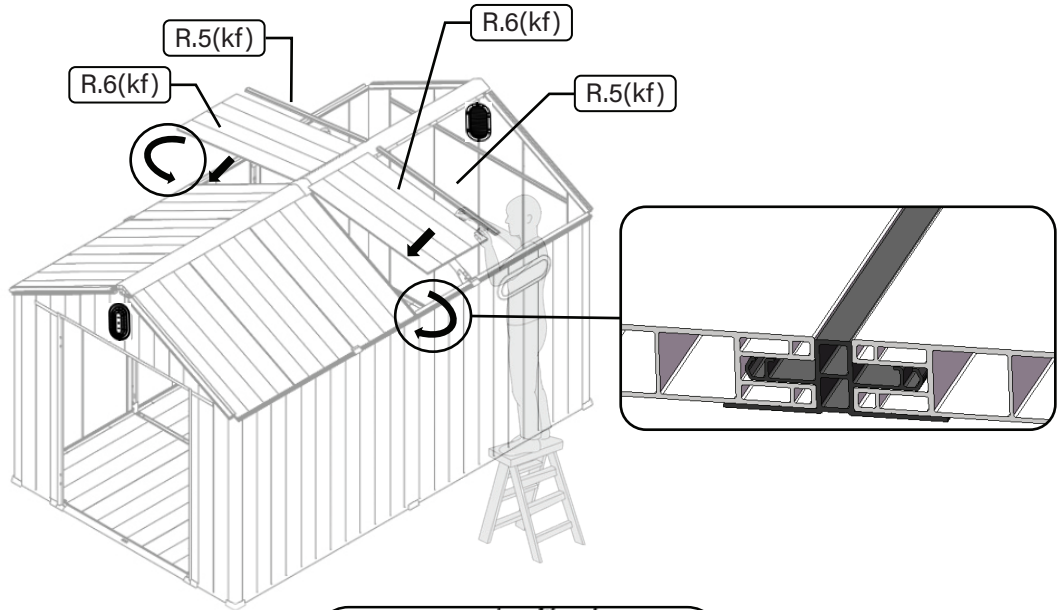


Note: Press down the ridge (R.8(kf812)), lock it into FR.7(kf812) with FT.3 from the inside of the shed.



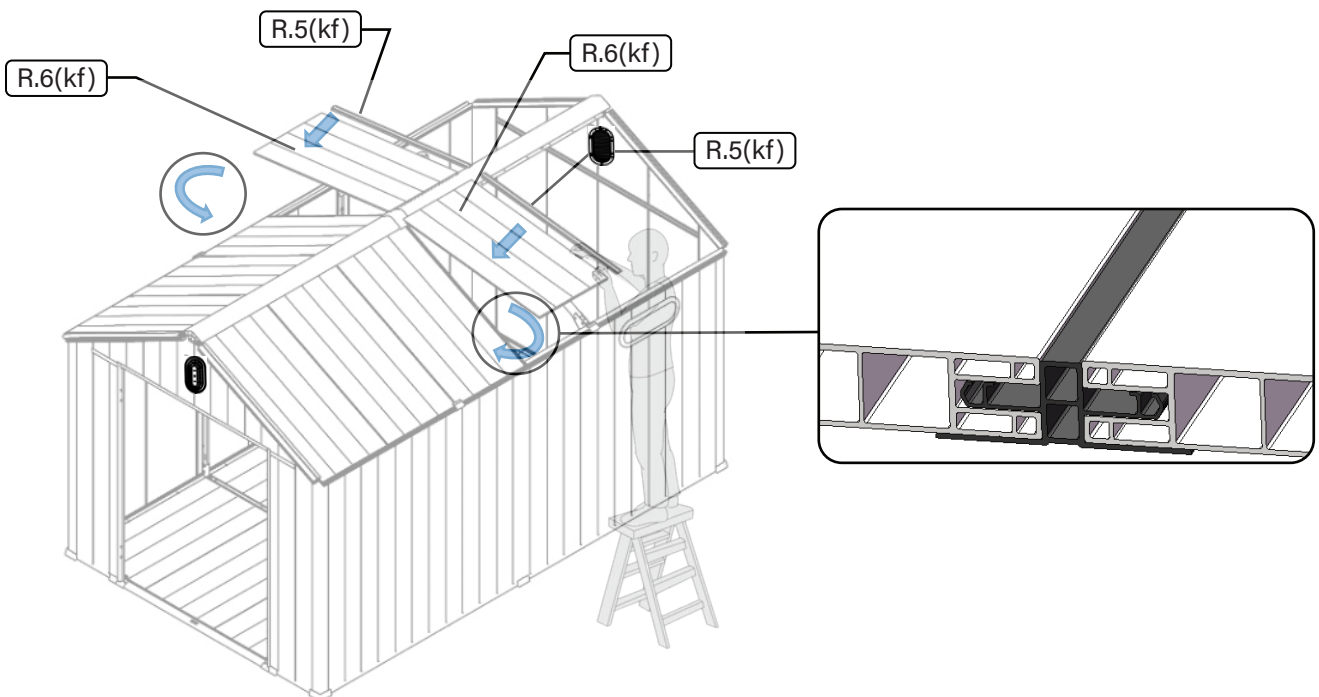
STEP 28



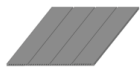
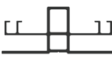
Place R.6(kf) and R.5(kf) panels per illustration and ensure no gaps before fastening completely with FT.2 screws



STEP 29

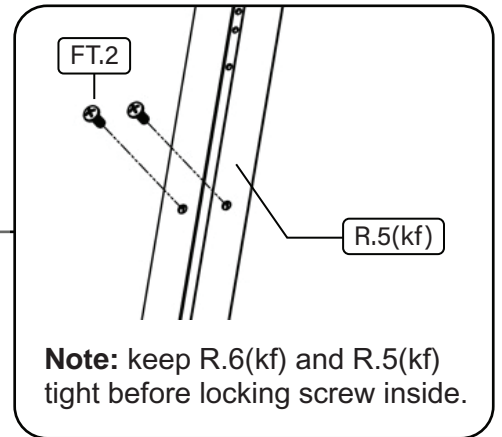
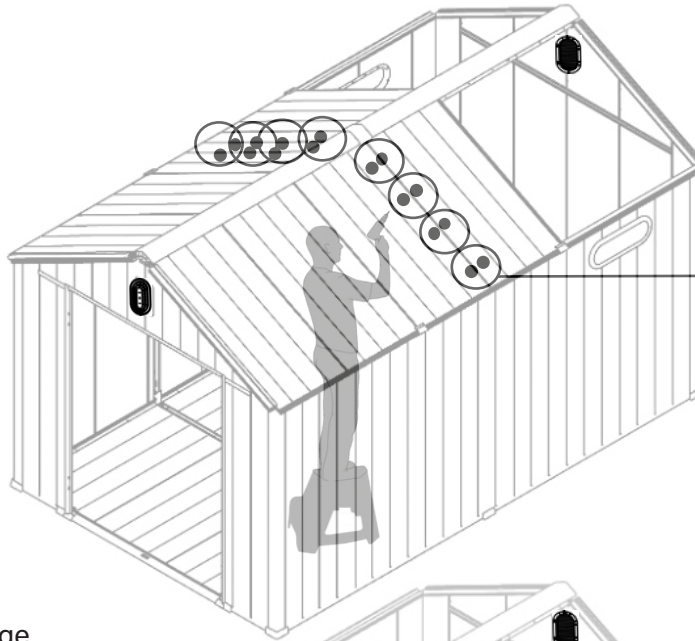
Place the next R.6(kf) and R.5(kf) panels per illustration and ensure no gaps before fastening



			
FT.2 16pcs	FT.3 6pcs	R.6(kf) 2pcs	R.5(kf) 2pcs

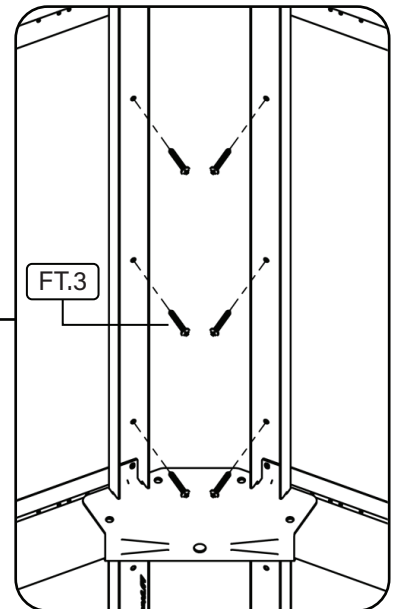
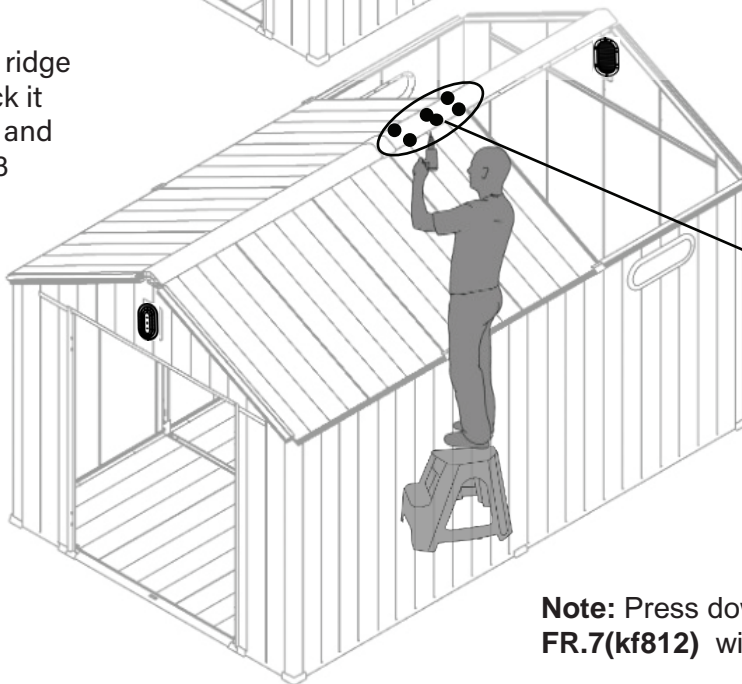
STEP 30

Fasten completely with FT.2 screws



STEP 31

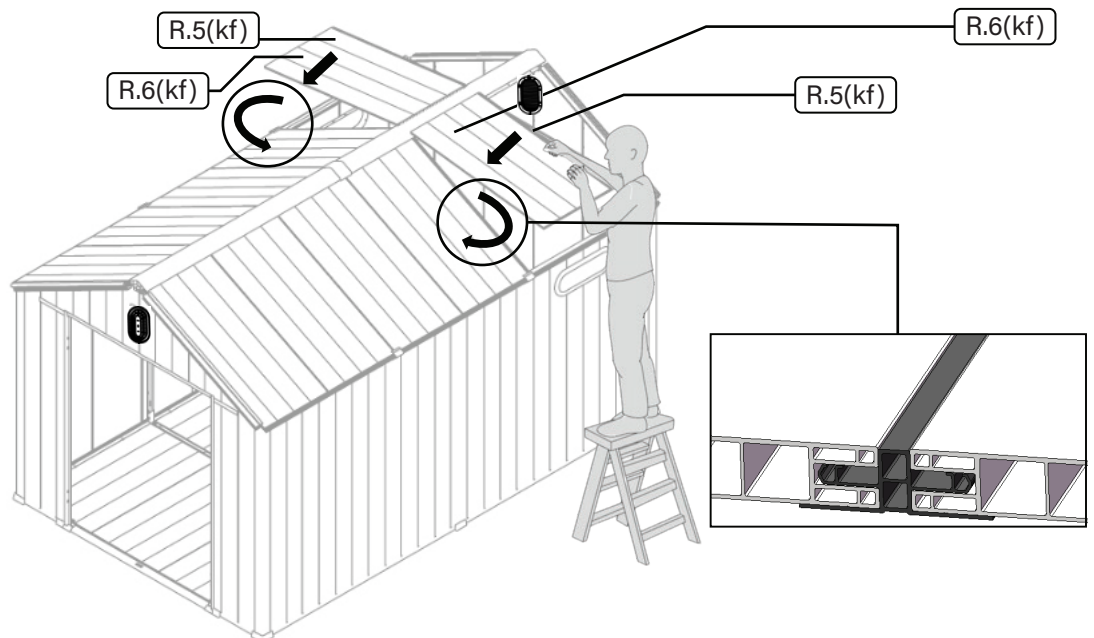
Press down the ridge R.8(kf812) to lock it into FR.7(kf812) and secure with FT.3 screws







Note: Press down the ridge (**R.8(kf812)**), lock it into **FR.7(kf812)** with FT.3 from the inside of the shed.

STEP 32

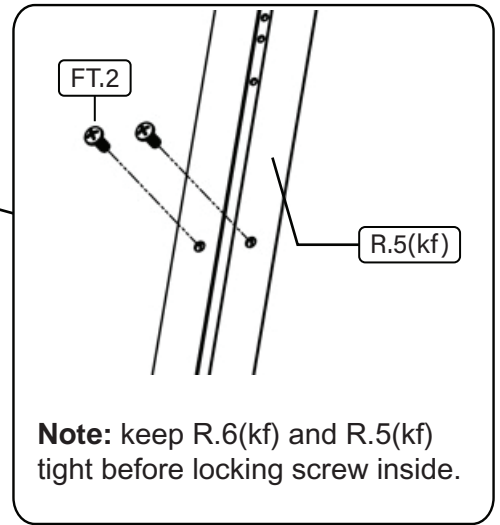
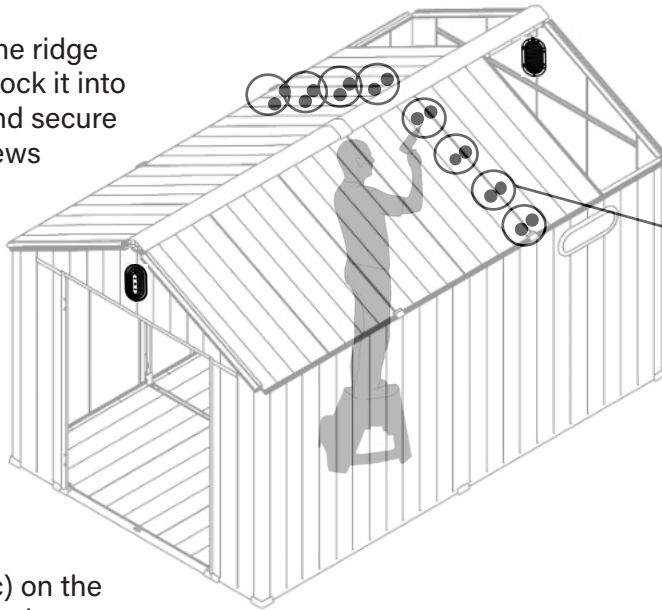
Place the next R.6(kf) and R.5(kf) panels per illustration and ensure no gaps before fastening



			
FT.2 22pcs	HD.2(kc) 1pcs	HD.3(kc) 2pcs	FT.3 4pcs

STEP 33

Press down the ridge R.8(kf812) to lock it into FR.7(kf812) and secure with FT.3 screws

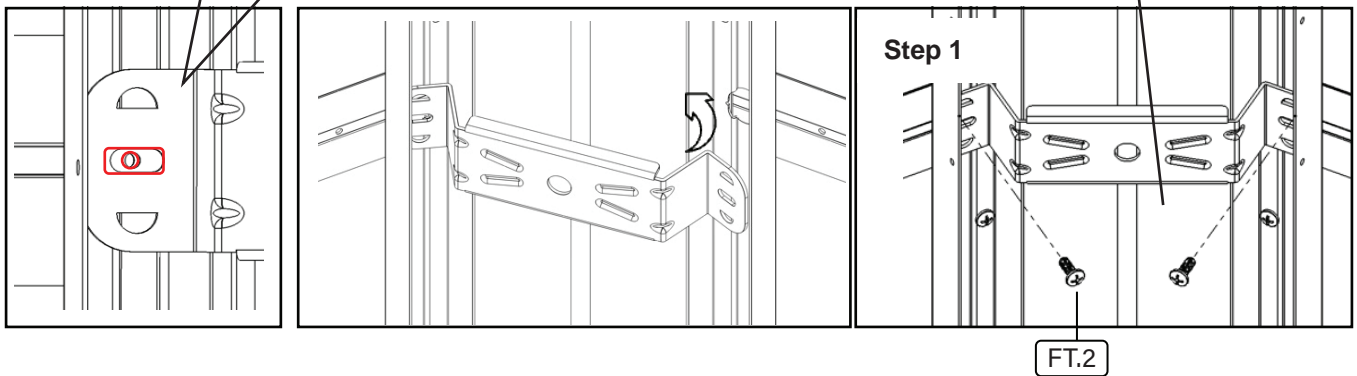


STEP 34

Align HD.2(kc) on the roof interior and secure it with FT.2 screws.

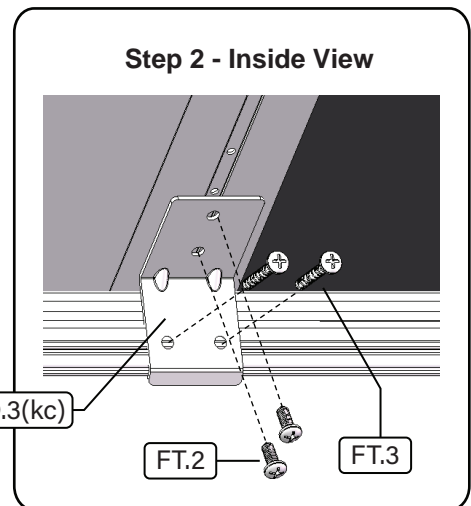
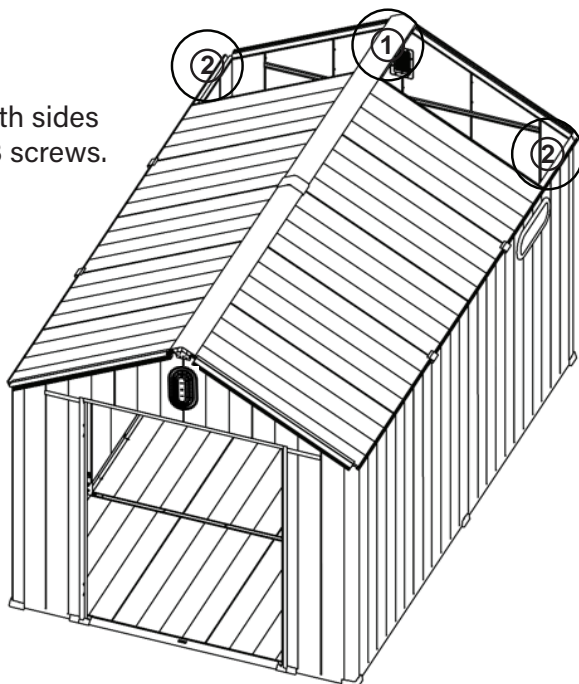
Pay attention to aligning the hole positions

Step 1 - Inside View




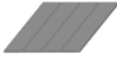



STEP 35

Attach HD.3(kc) L-brackets on both sides using FT.2 & FT.3 screws.

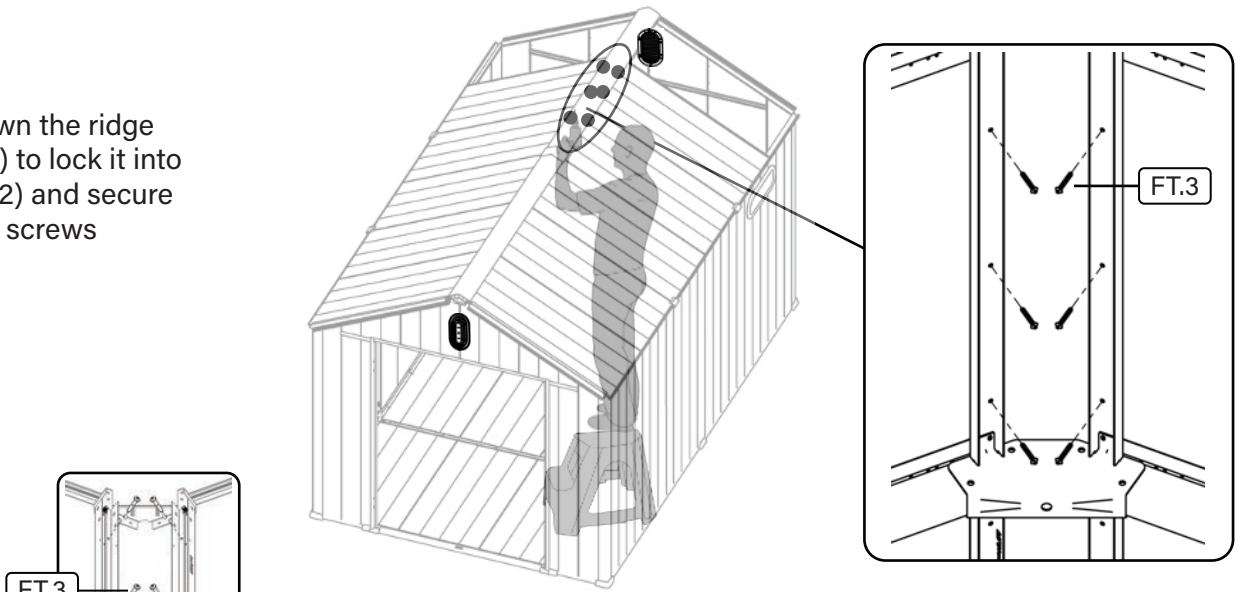


Fix the L component to the bar, then lock the screws

				
FT.3 6pcs	R.7(kf) 2pcs	FT.3 12pcs	R.4(kf812) 2pcs	FT.2 16pcs

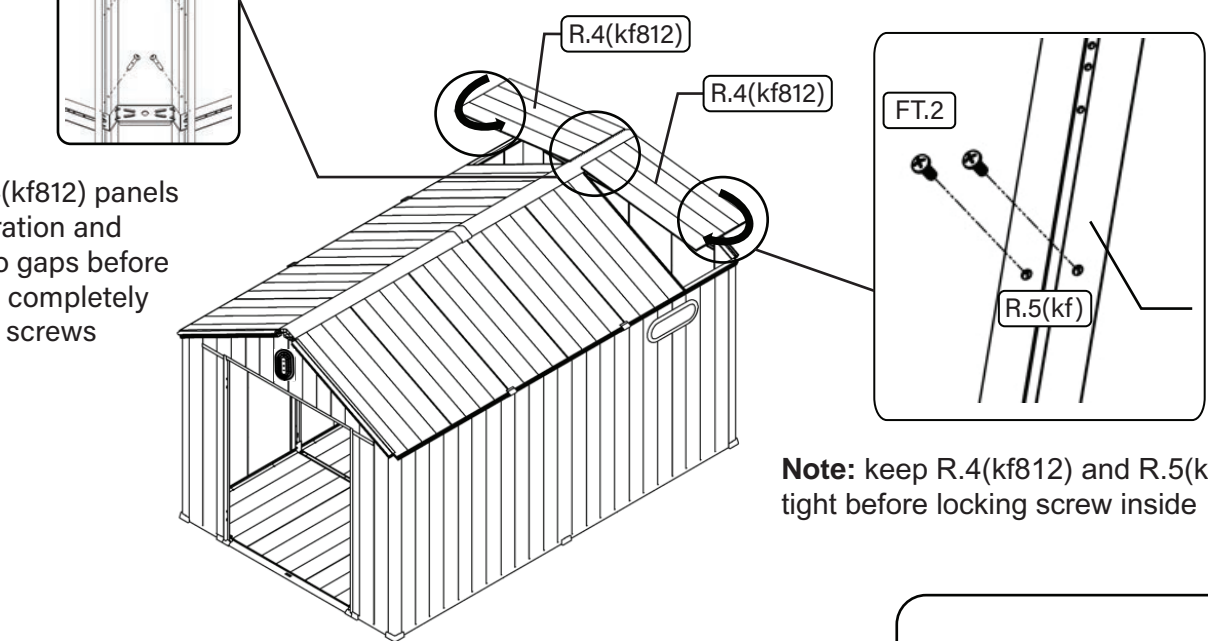
STEP 36

Press down the ridge R.8(kf812) to lock it into FR.7(kf812) and secure with FT.3 screws



STEP 37

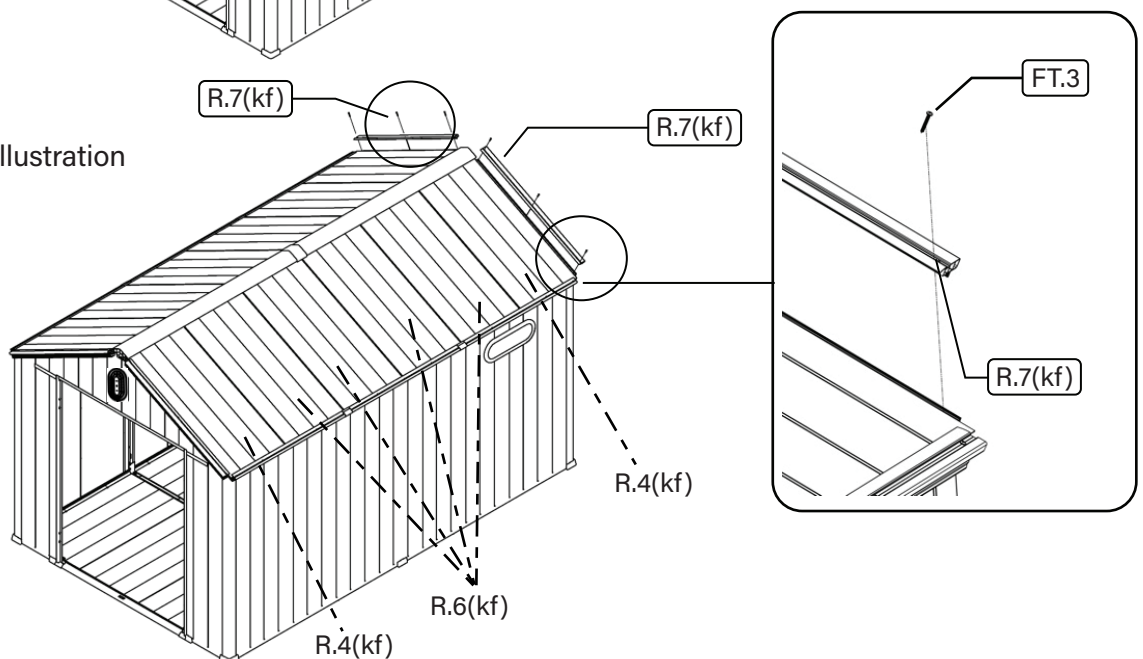
Place R.4(kf812) panels per illustration and ensure no gaps before fastening completely with FT.2 screws

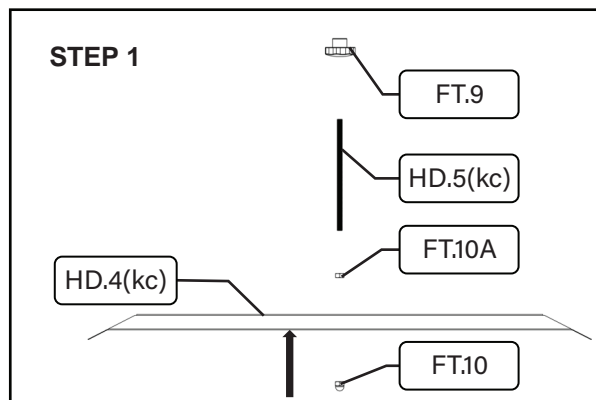
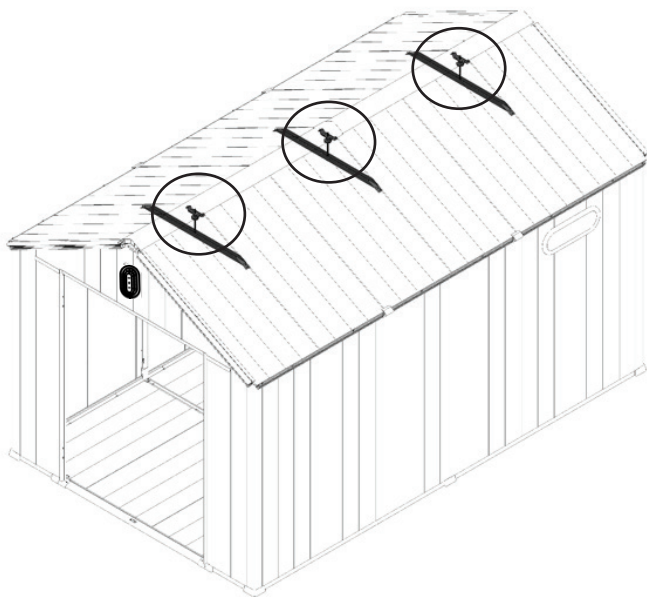
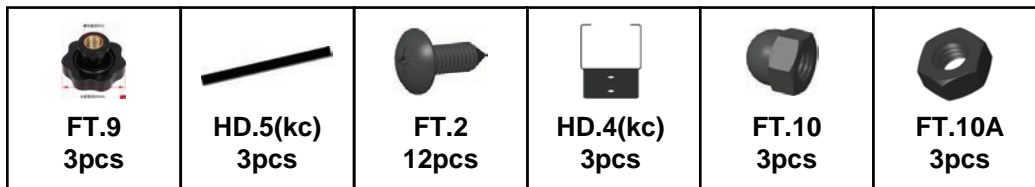


Note: keep R.4(kf812) and R.5(kf) tight before locking screw inside

STEP 38

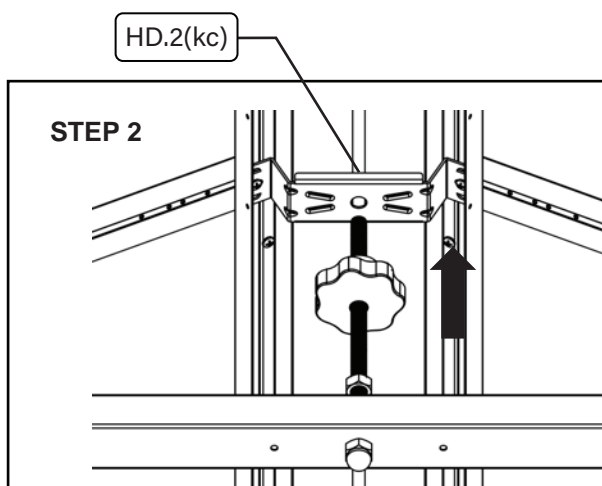
Attach R.7(kf) per illustration with FT.3 Screws





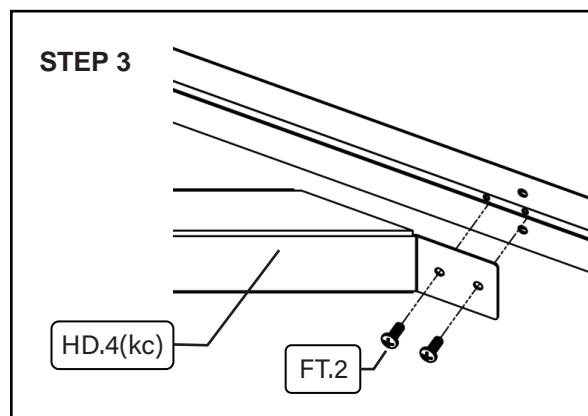
STEP 39

Place the parts on the ground and assemble them into components according to the diagram.



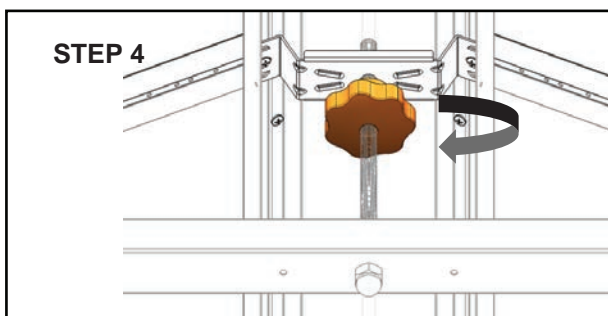
STEP 40

Insert the component into the U-shaped connector (HD.2(kc))



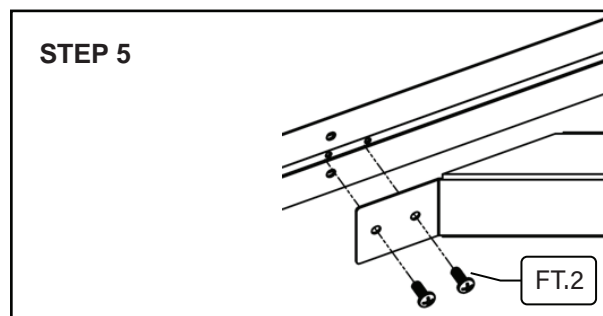
STEP 41

Step 3: Lock the screws into the purlin.



STEP 42

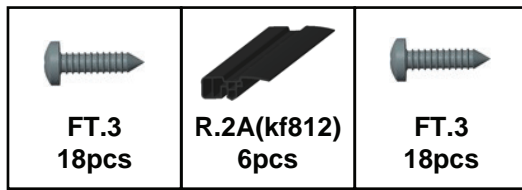
Adjust the nut (FT.9) clockwise and lift the pull rod (HD.4(kc)) to align the holes for installation.



STEP 43

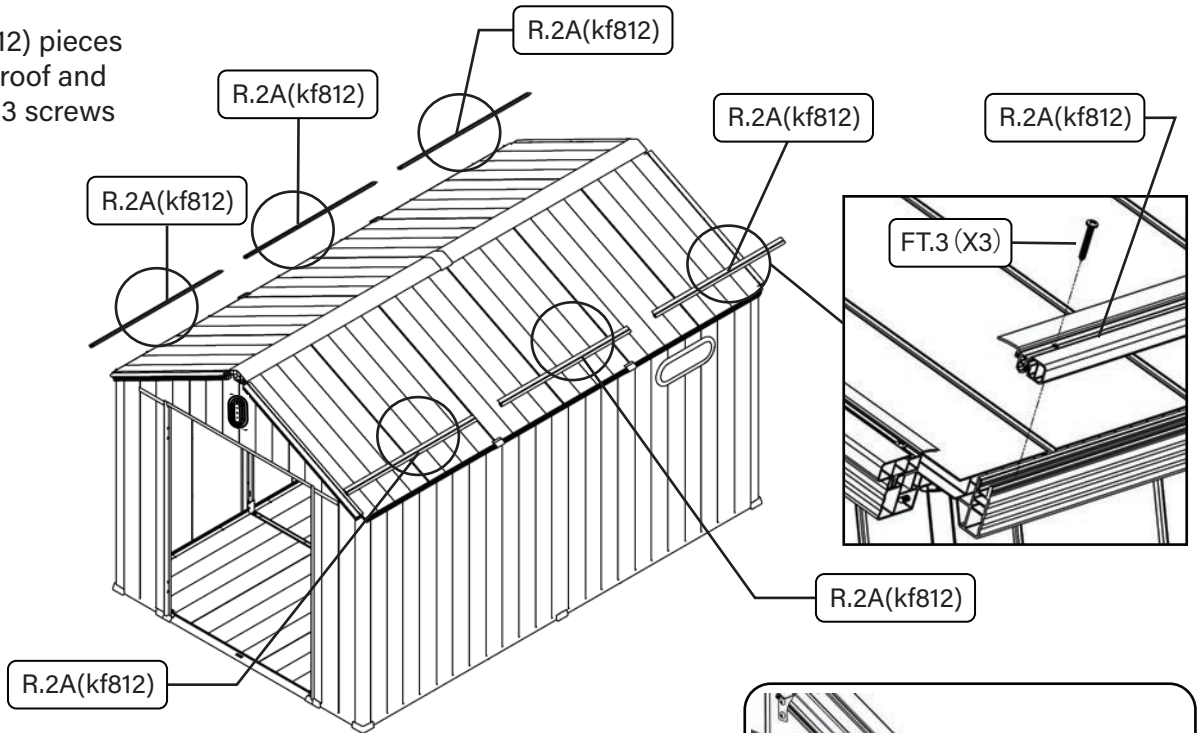
Lock the screws as shown in the figure.

Note: The roof can be raised by turning the nut (FT.9) counterclockwise if the roof sinks.

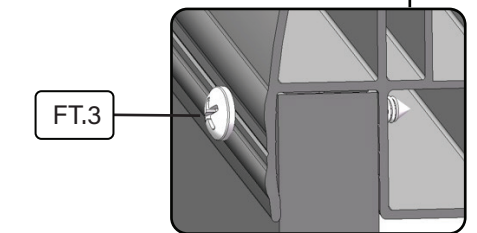
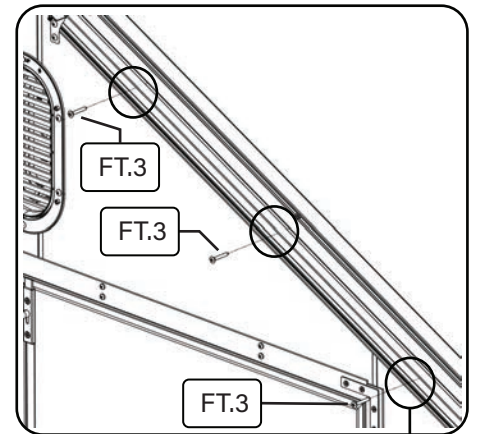
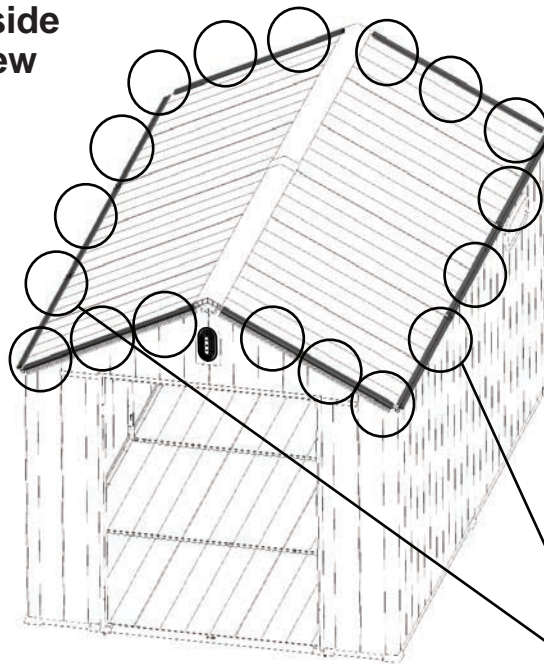


STEP 44

Place R.2A(kf812) pieces on the edge of roof and secure with FT.3 screws

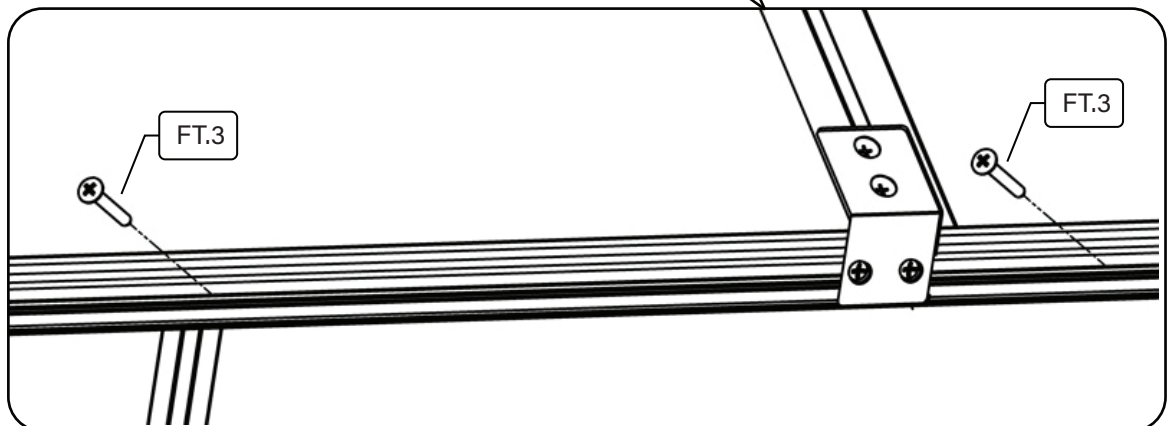


Inside View













STEP 45

Secure Roof to Wall with FT.3 screws inside per illustration

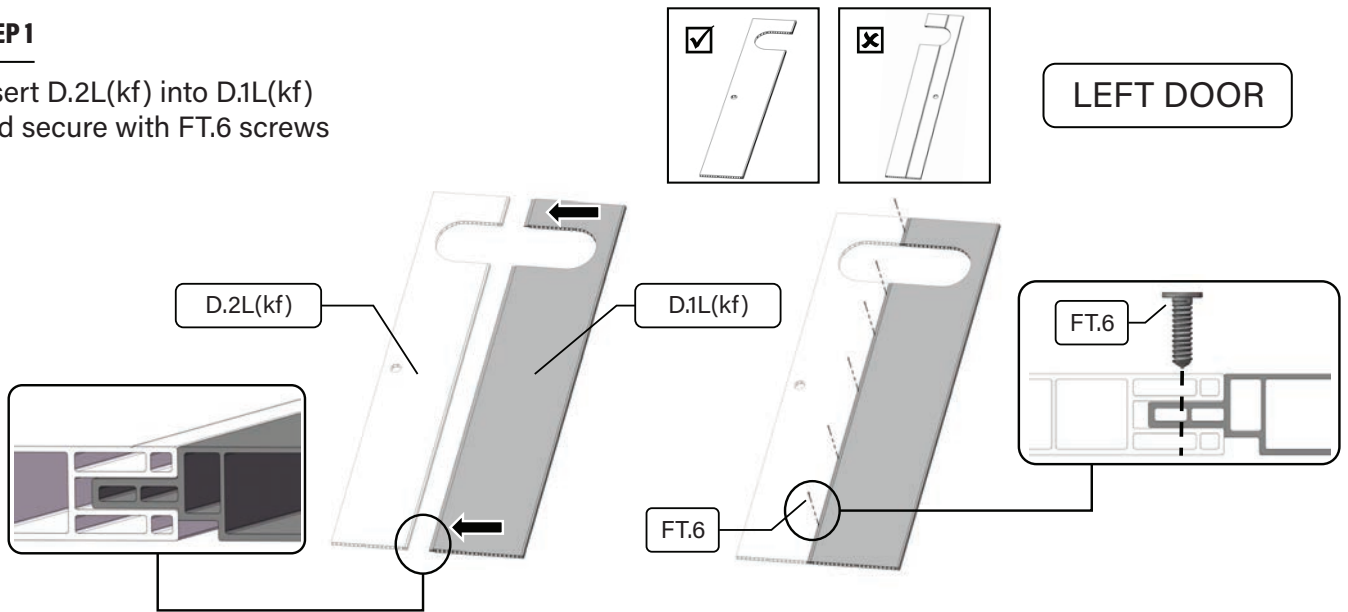


STEP 4 - DOOR INSTALLATION

									
D.1L(kf) 1pcs	D.2L(kf) 1pcs	FT.1 6pcs	D.2(kf) 1pcs	D.3(kf) 1pcs	D.4(kc) 2pcs	FT.5 12pcs	FT.6 14pcs	WIR2.OUT 1pcs	WIR2.IN 1pcs

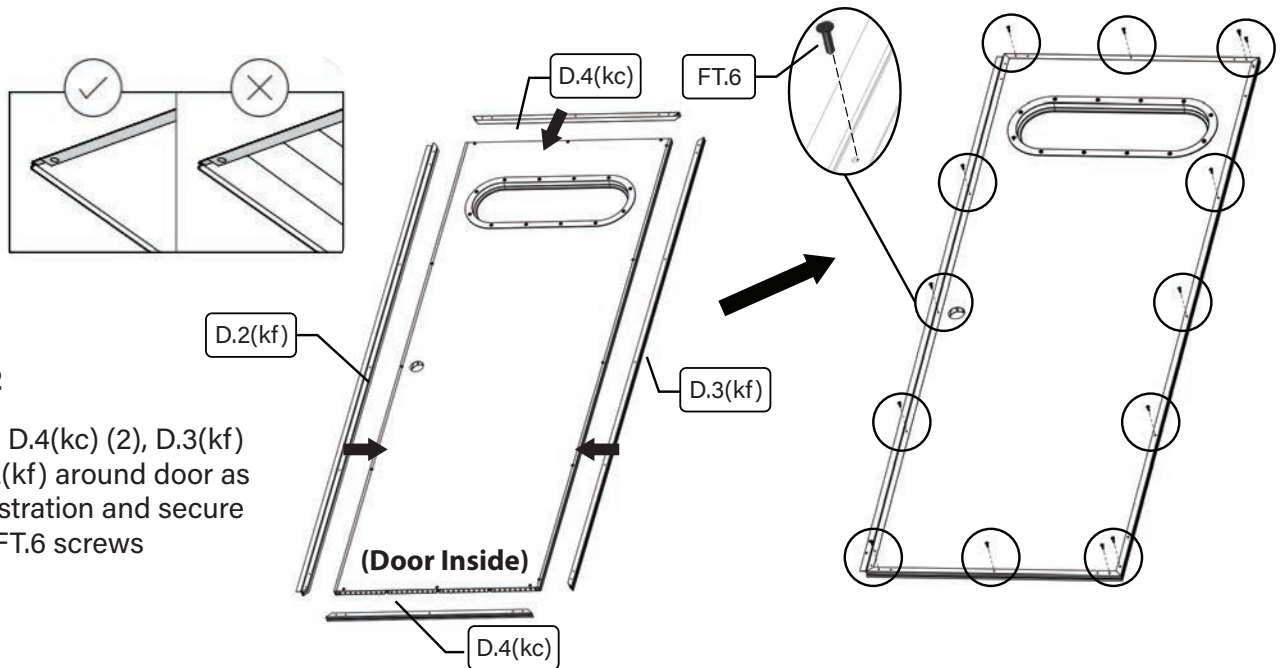
STEP 1

Insert D.2L(kf) into D.1L(kf) and secure with FT.6 screws



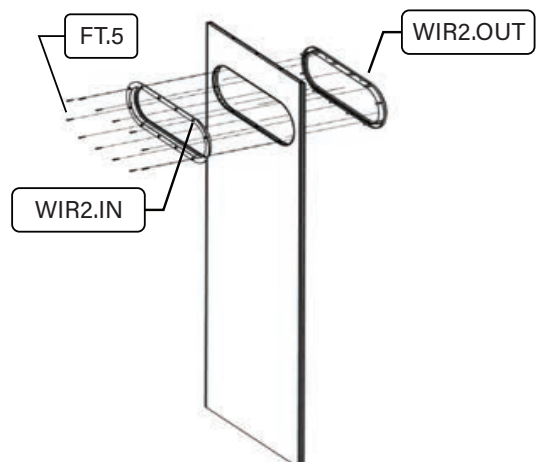
STEP 2







Place D.4(kc) (2), D.3(kf) & D.2(kf) around door as in illustration and secure with FT.6 screws

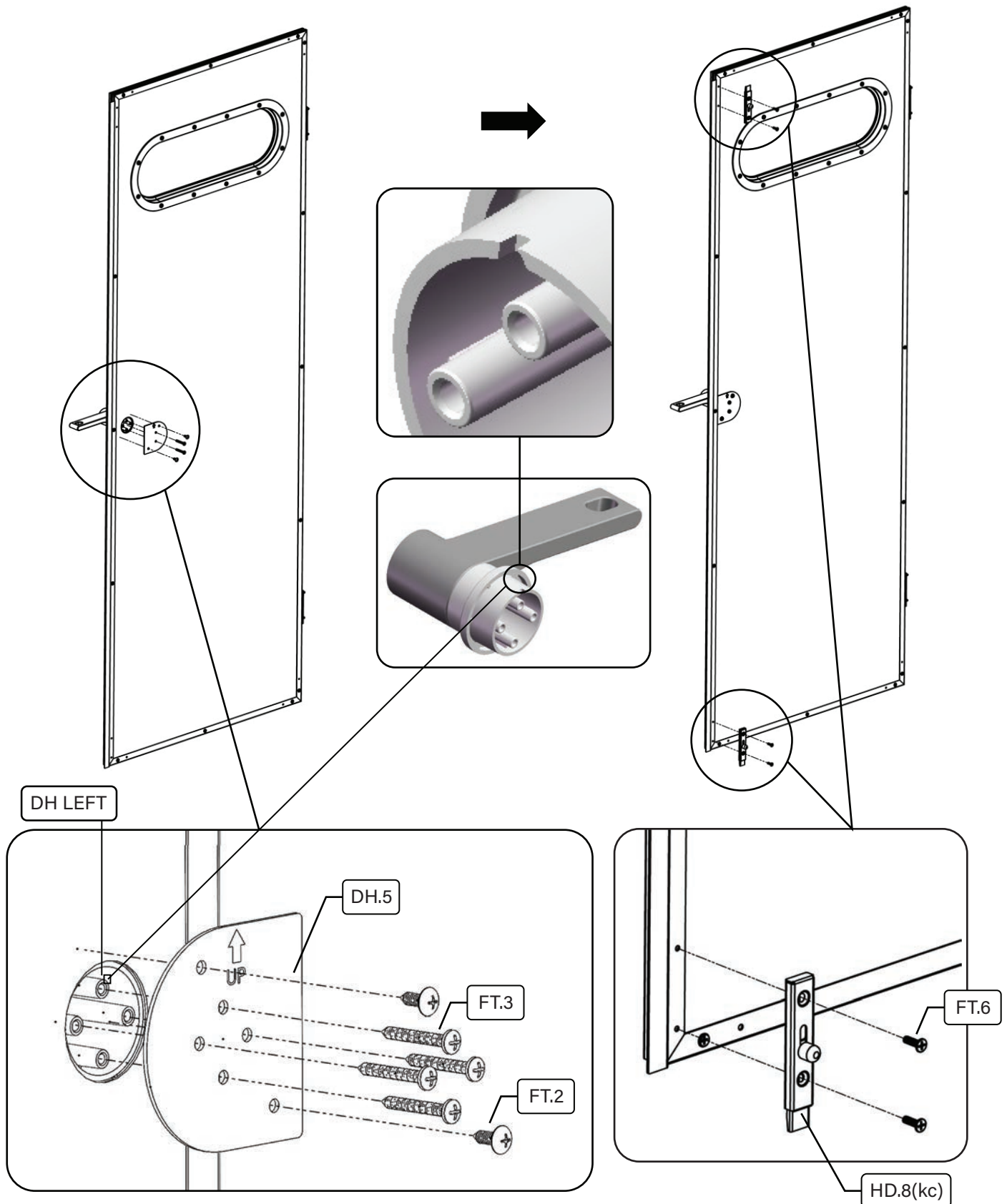


STEP 3

Insert WIR2.OUT & WIR2.IN into the door window opening and secure with FT.5 screws










					
HD.8(kc) 2pcs	DH.5 1pcs	DH Left	FT.2 2pcs	FT.3 4pcs	FT.6 4pcs



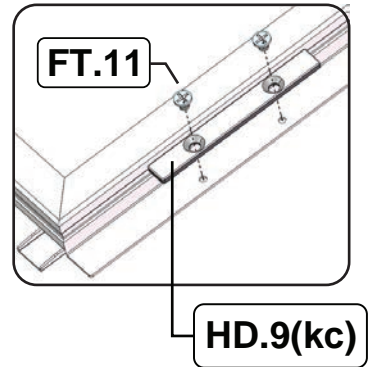
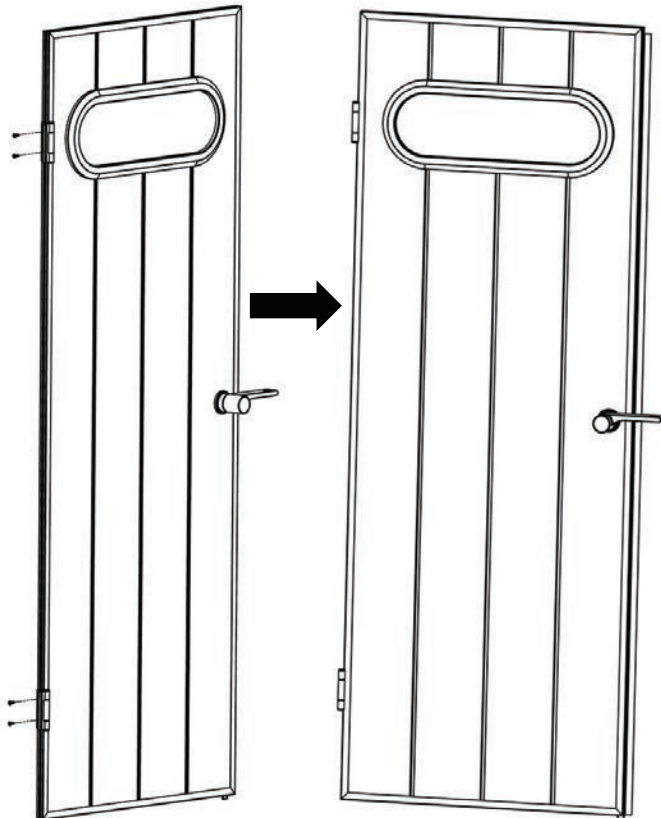
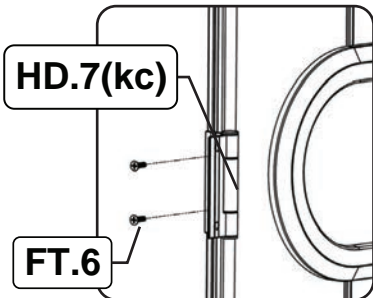
STEP 4

Place DH LEFT & DH.5 in door handle opening and secure with FT.3 & FT.2 screws as in illustration. Place HD.8(kc) on top and bottom of door as in illustration and secure with FT.6 screws.

 HD.9(kc) 1pcs	 FT.11 2pcs	 HD.7(kc) 2pcs	 FT.6 4pcs	 D.1R(kf) 1pcs	 D.2R(kf) 1pcs	 FT.1 6pcs
---	--	---	---	--	---	---

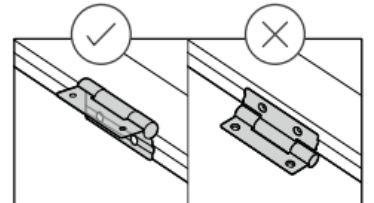
STEP 5

Place HD.7(kc) on top and bottom of side of door as in illustration and secure with FT.6 screws

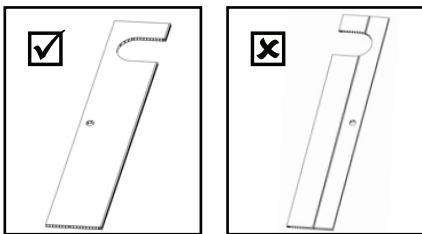


STEP 6

Place HD.9(kc) at the bottom of side of door as in illustration and secure with FT.11 screws

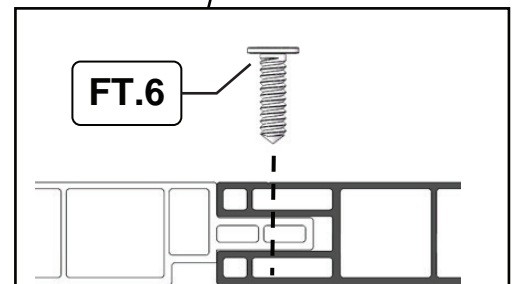
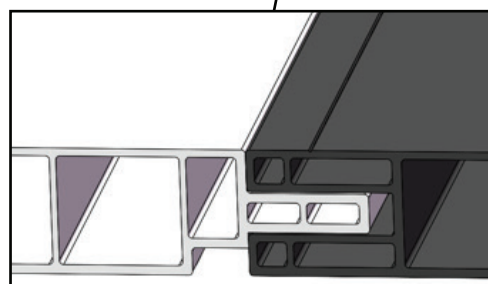
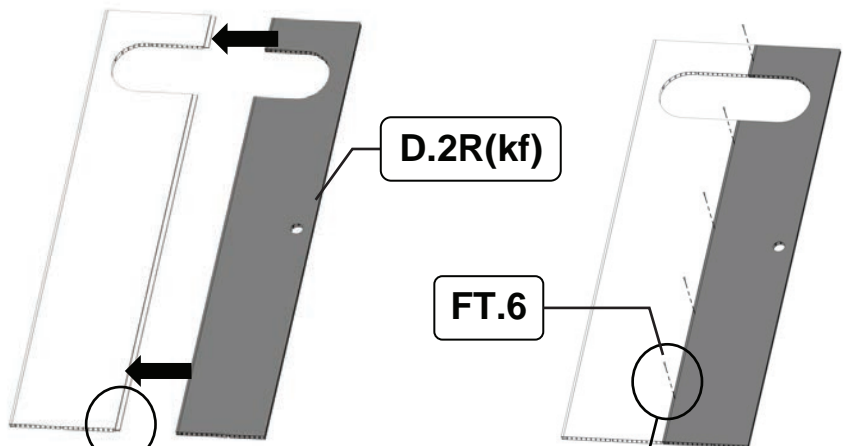








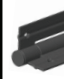






RIGHT DOOR

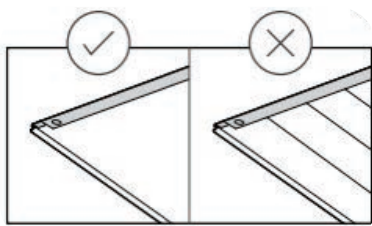


STEP 7

Insert D.1R(kf) into D.2R(kf) and secure with FT.6 screws

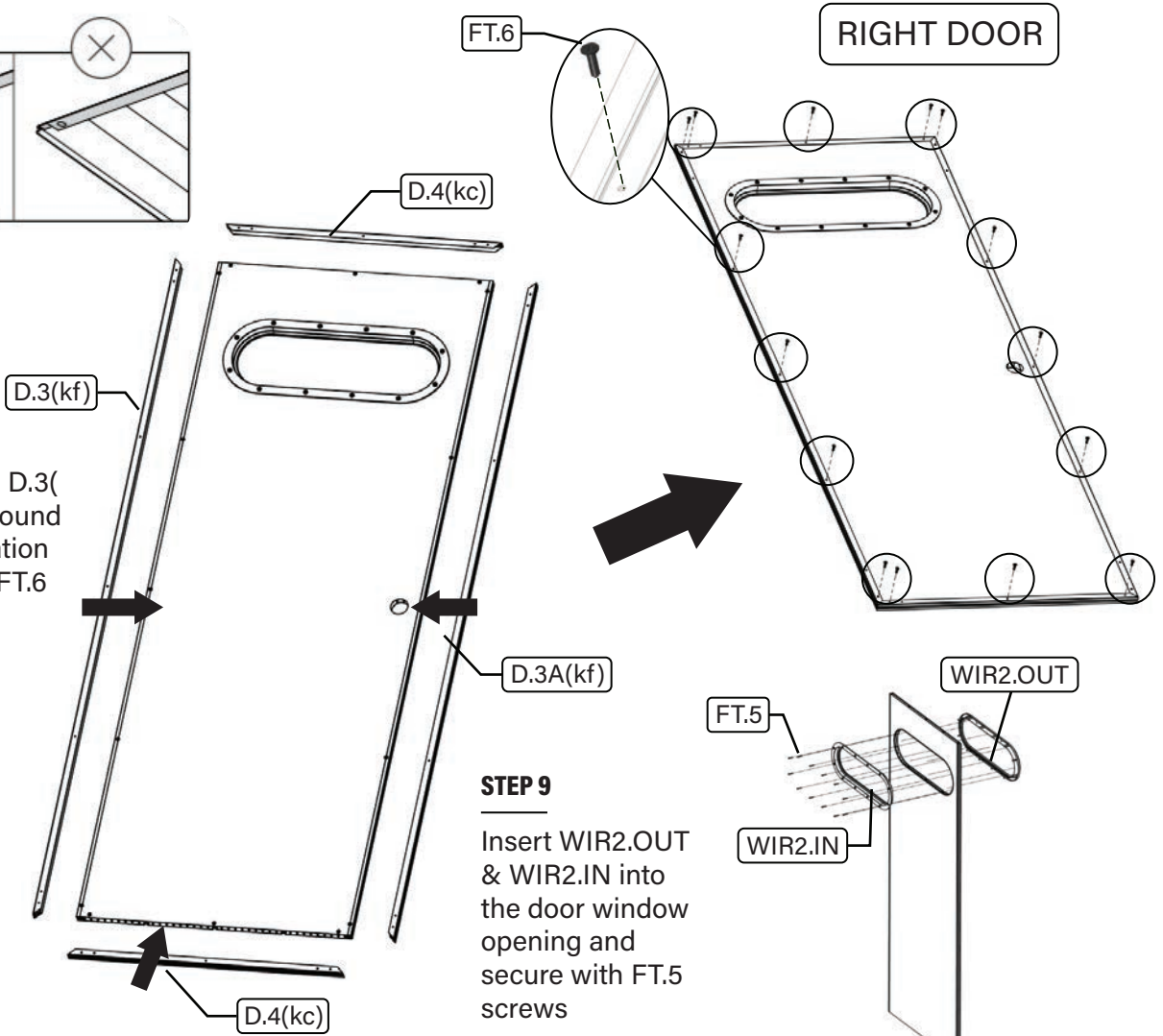


													
D.3A(kf) 1pcs	D.3(kf) 1pcs	D.4(kc) 2pcs	FT.5 12pcs	FT.6 15pcs	WIR2.OUT 1pcs	WIR2.IN 1pcs	HD.7(kc) 2pcs	DH right	DH.5 1pcs	FT.6 6pcs	HD.10(kc) 1pcs	FT.2 2pcs	FT.3 4pcs



STEP 8

Place D.4(kc) (2), D.3(kf) & D.3A(kf) around door as in illustration and secure with FT.6 screws.

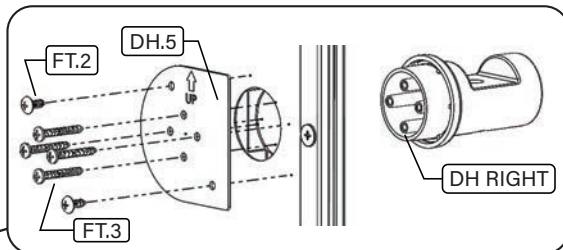


STEP 9

Insert WIR2.OUT & WIR2.IN into the door window opening and secure with FT.5 screws

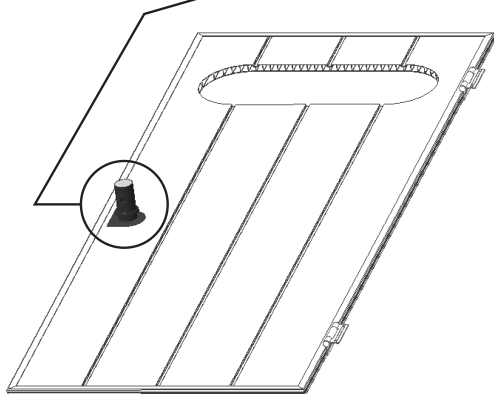
STEP 10

Place DH right & DH.5 in door handle opening and secure with FT.3 & FT.2 screws as in illustration



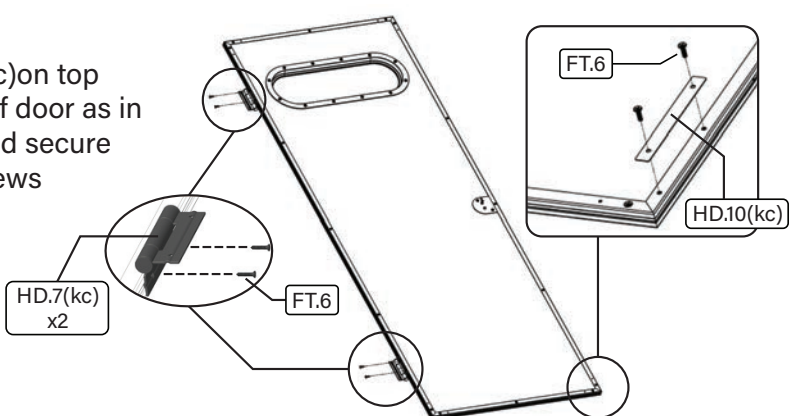
STEP 11






Place HD.10(kc) at the bottom of door on side with handle as in illustration and secure with FT.6 screws.



STEP 12

Place HD.7(kc) on top and bottom of door as in illustration and secure with FT.6 screws



				
FT.6 8pcs	KRRH 2pcs	kcRBC.L 2pcs	kcRBC.R 2pcs	FT.2 12pcs

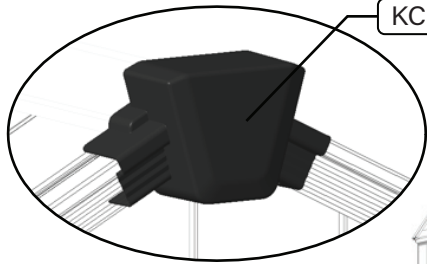
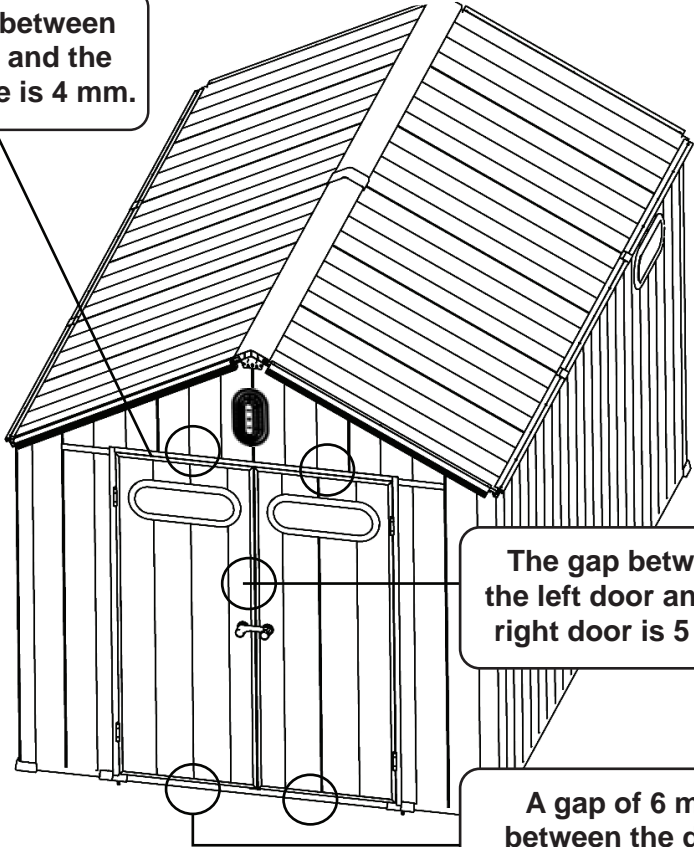
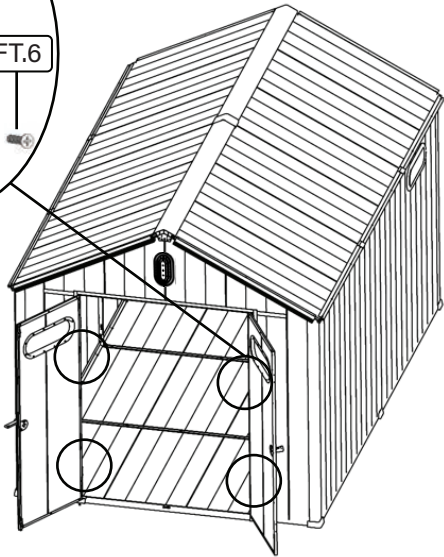
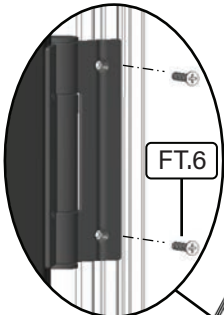
STEP 13

Connect the doors to the shed per the illustration with FT.6 screws

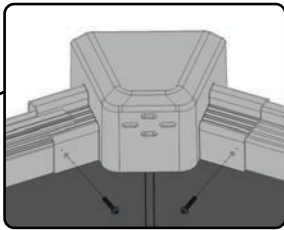
The gap between the door and the door frame is 4 mm.

The gap between the left door and the right door is 5 mm.

A gap of 6 mm between the door and the threshold

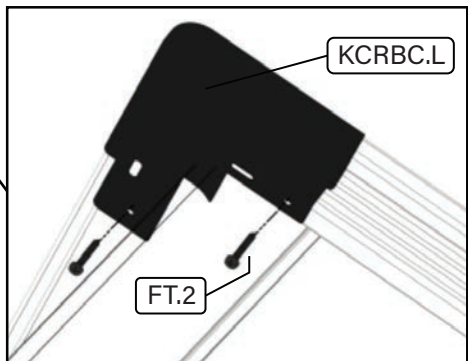


KRRHx2



KCRBC.R

KCRBC.L









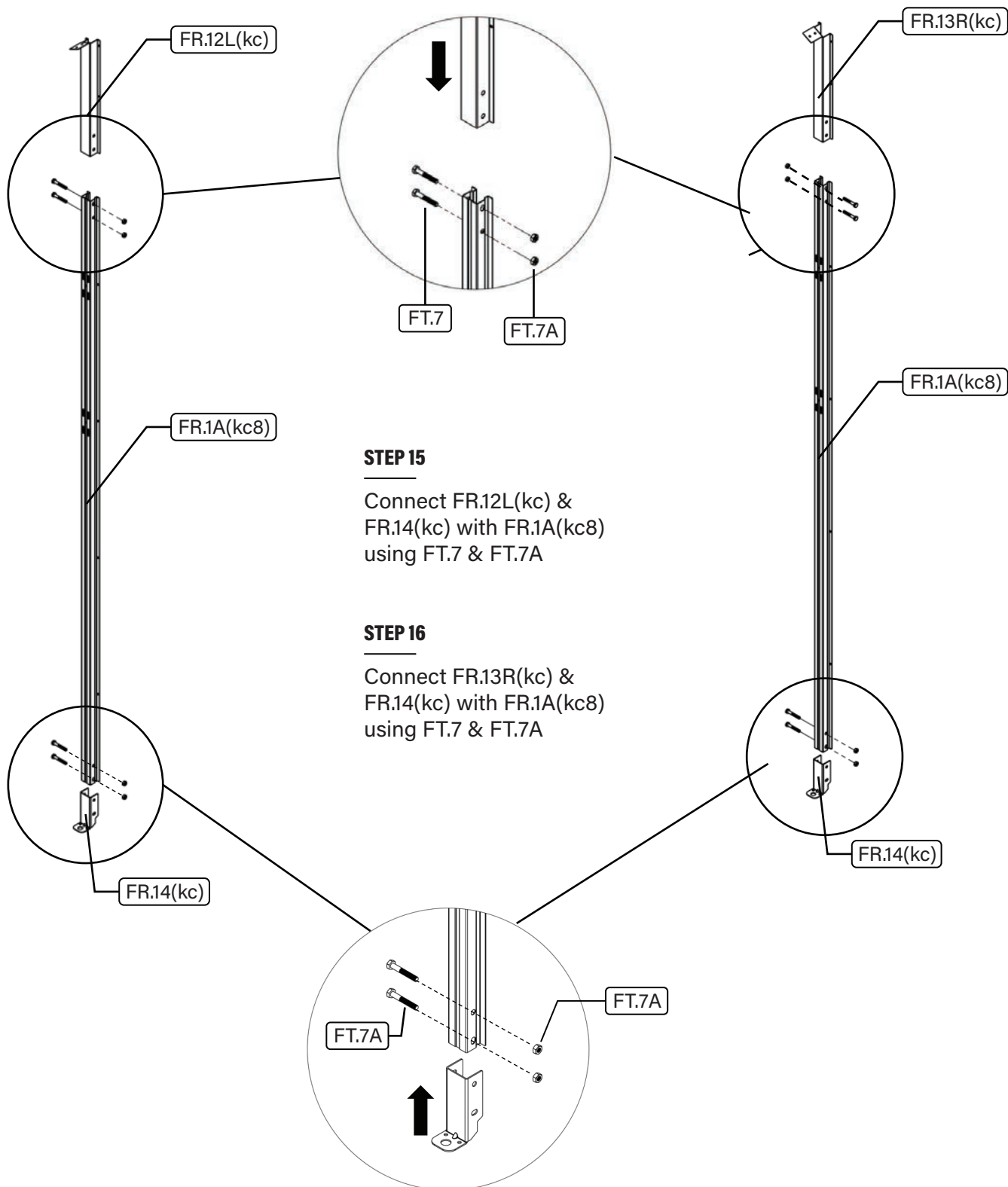
KCRBC.L

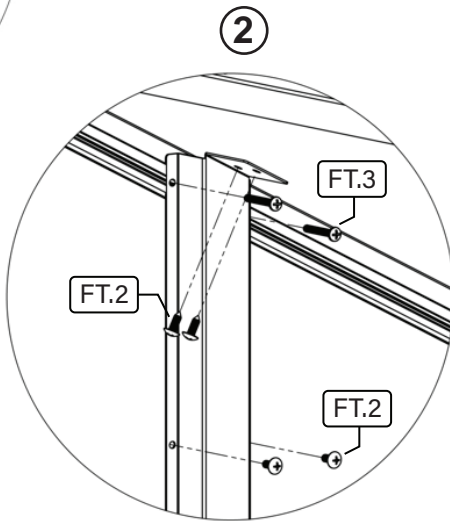
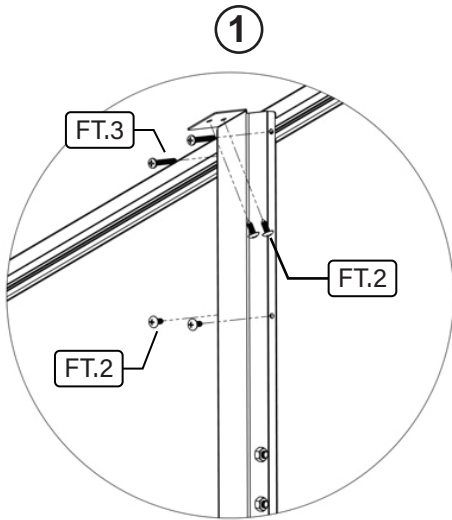
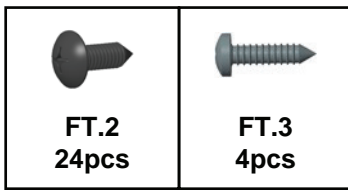
FT.2

STEP 14

Place KCRBC.R, KCRBC.L & KRRHx2 on the top of shed per illustration and secure them all with FT.2 screws

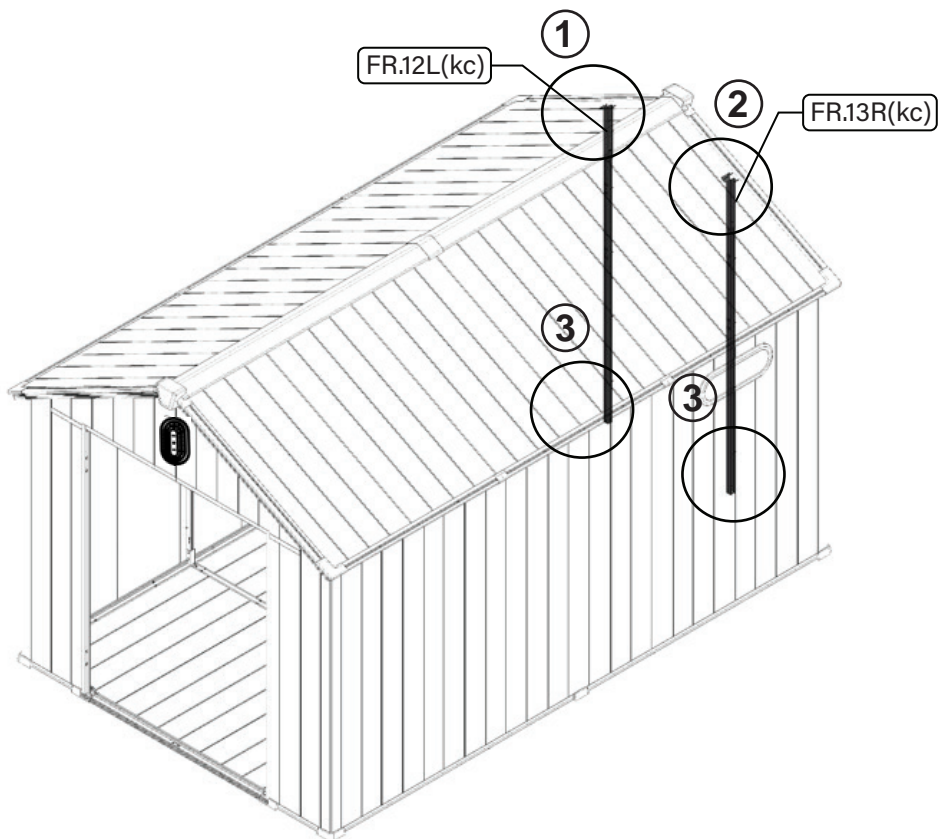
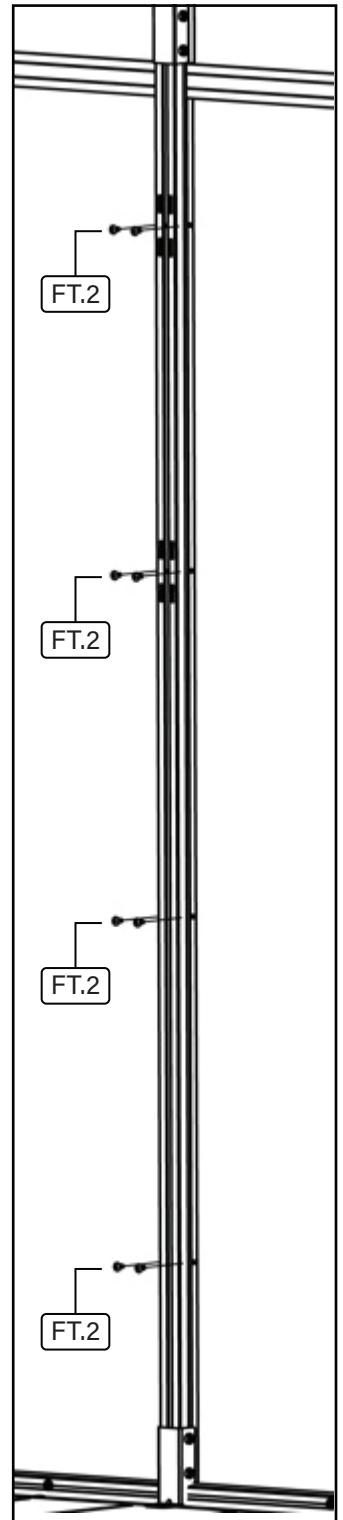
 FR.12L(kc) 1pcs	 FR.13R(kc) 1pcs	 FR.1A(kc8) 2pcs	 FR.14(kc) 2pcs	 FT.7 8pcs	 FT.7A 8pcs
---	---	---	--	--	--









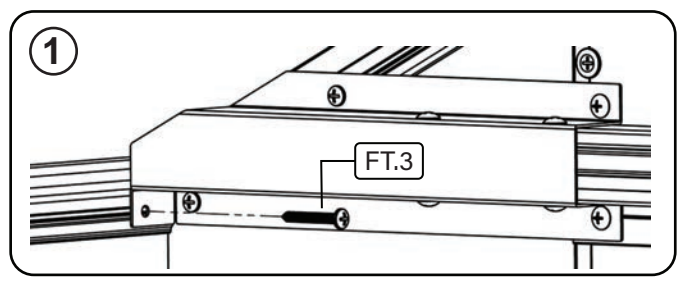
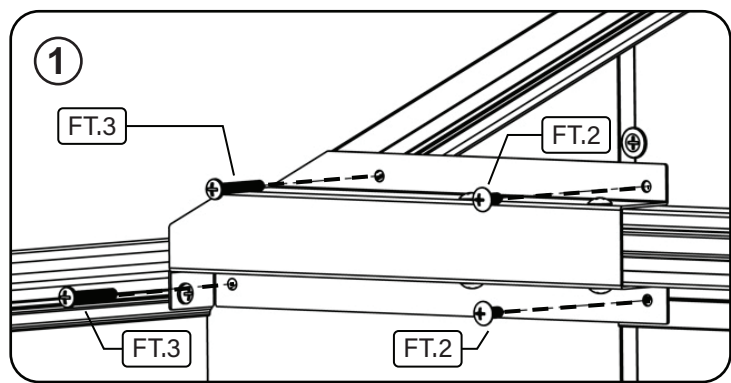
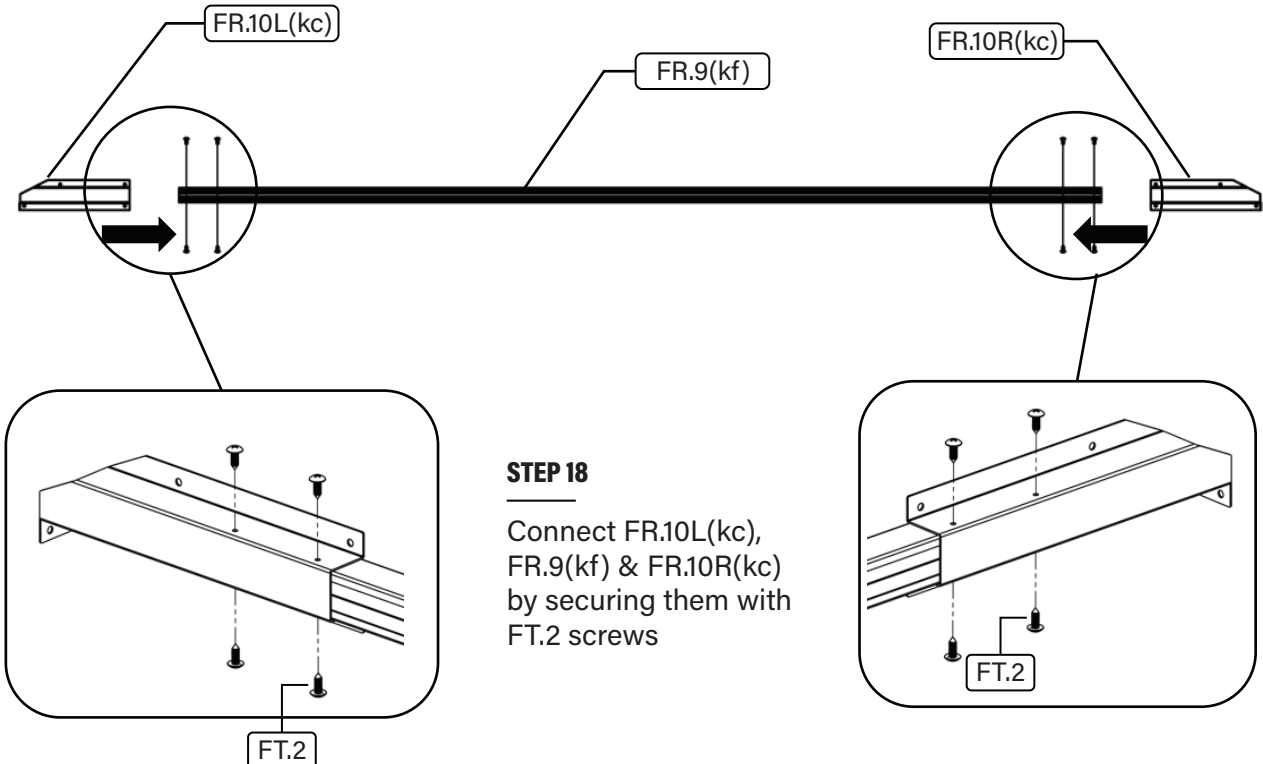


STEP 17

Connect FR.12L(kc) & FR.13R(kc) on the inside wall using FT.2 & FT.3 screws per illustration

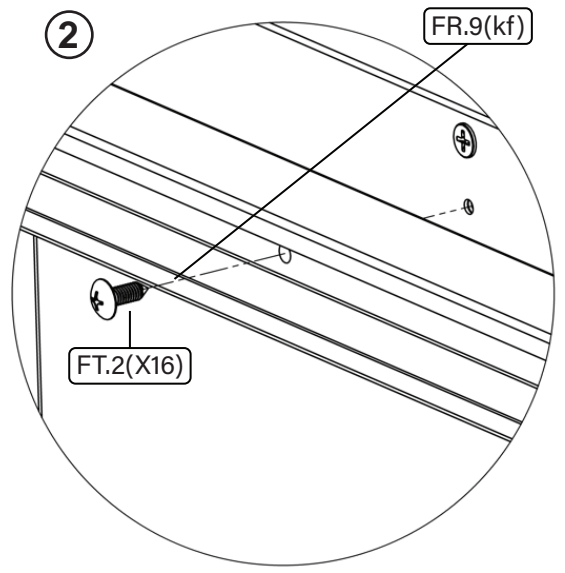
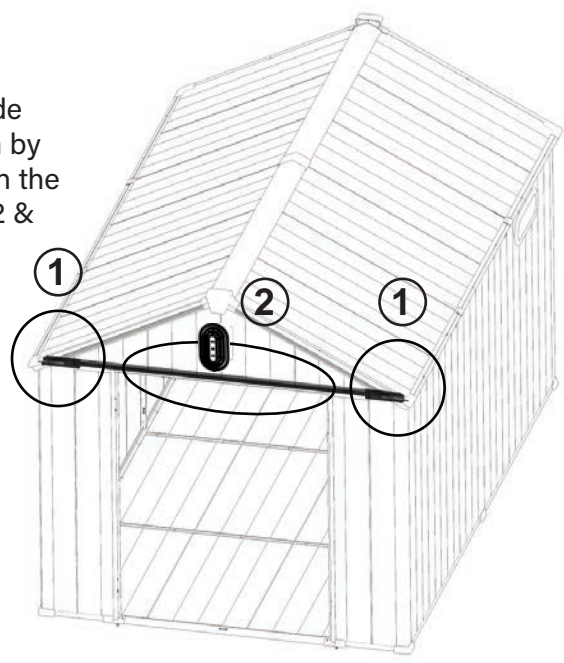


 FR.10L(kc) 2pcs	 FR.10R(kc) 2pcs	 FR.9(kf) 2pcs	 FT.2 28pcs	 FT.3 6pcs	 FR.10R(kc) 1pc
---	---	---	--	--	--

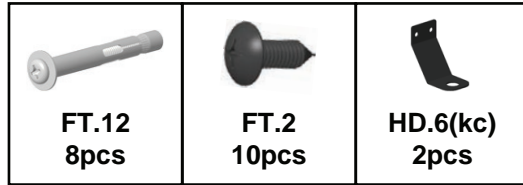


STEP 19

Attach them to inside shed per illustration by using FT.3 & FT.2 on the outer edge and FT.2 & FR.9 in the middle

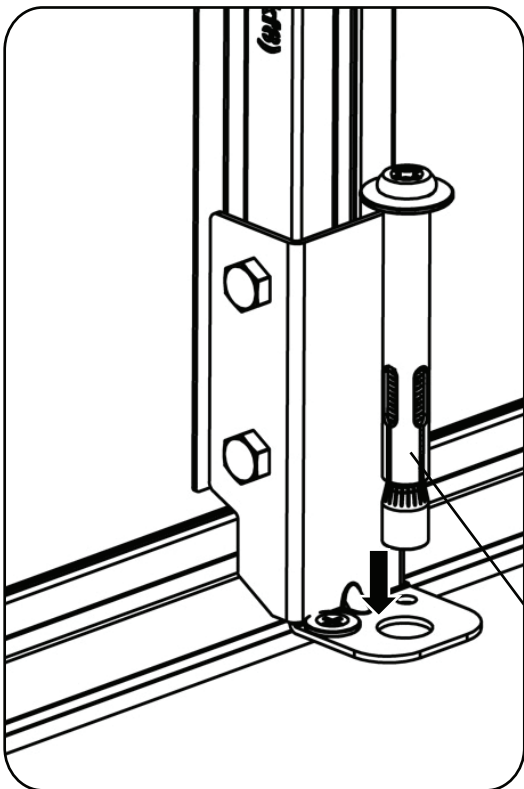
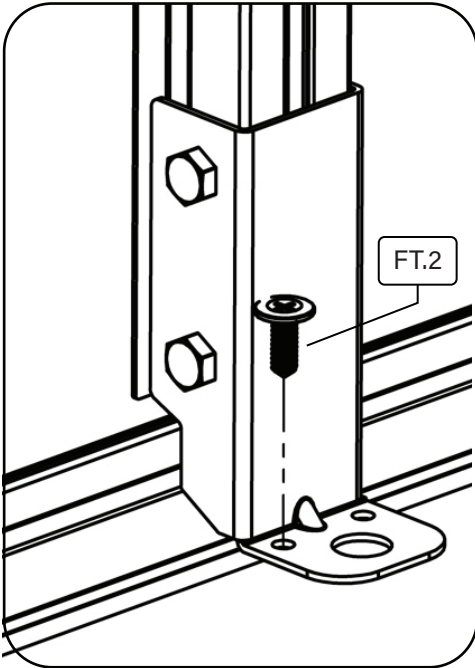
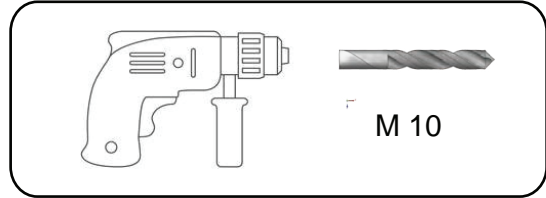


STEP 5 - FINAL INSTALLATION (ANCHORS)



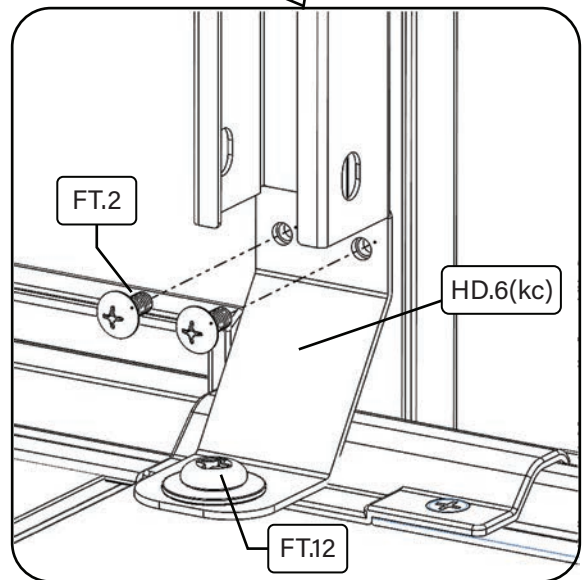
STEP 1

Go all around the shed as in illustration and secure with FT.2 and FT.12 screws



STEP 2

Place HD.6(kc) (x2) on the bottom front of shed as in illustration and secure with FT.2 and FT.12 screws

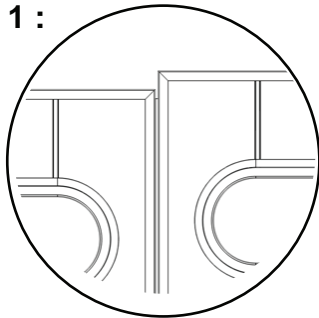


Door misalignment adjustment: double doors

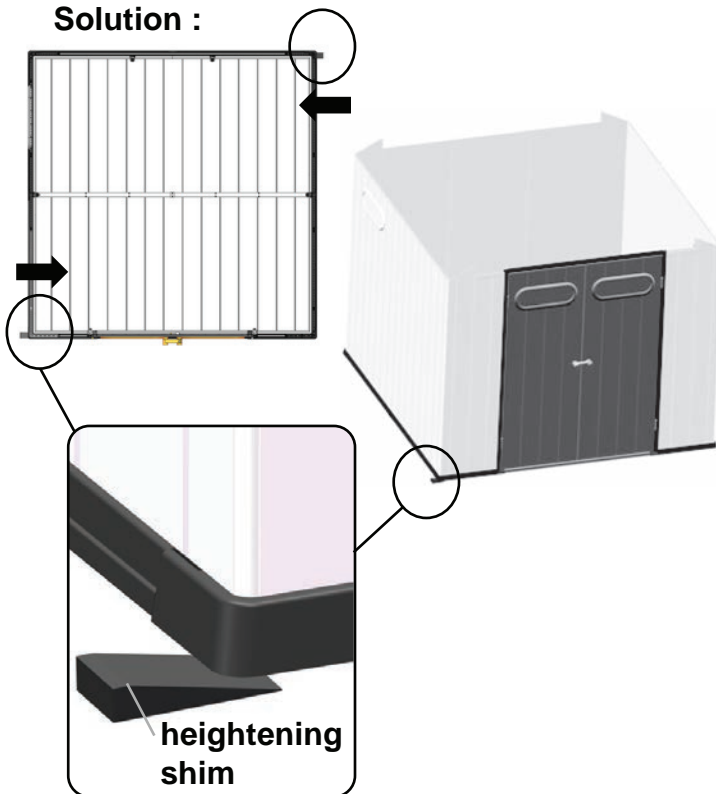


FAQ: If the ground is uneven, it may cause the door to be crooked.

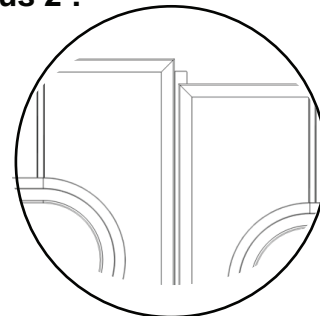
Status 1 :



Solution :



Status 2 :



Solution :

