



The following instructions will detail how to assemble the Maze Compost Tumbler. It should take around 2-4 hours to put the compost bin together. If you have any problems during the assembly feel free to contact our office during office hours. You can visit our website to watch a instructional video on the assembly process.



Visit our website to see more information including an assembly video <http://www.mazeproducts.com.au/product/maze-compost-tumbler-245lt/> (in INSTRUCTIONS tab)



If you encounter **missing or broken parts** please visit our website (below) to contact us and we will send out the new parts immediately.

Share the love:





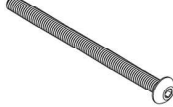



Thank you for buying our product. Once you have started using the product we would love it if you wrote a quick product review on the site you purchased from or on the product page on our website.


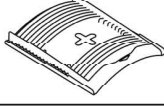
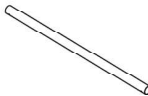
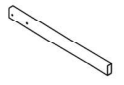
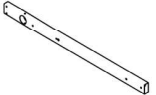
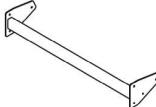
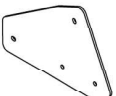

Your review will help other people make informed decisions. If you find there are any issues or problem please feel free to contact us first so we can solve these for you.

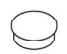



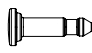


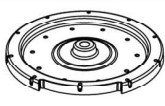


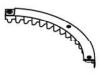
USA - Riverstone
 customerservice@rsiww.com
www.RSIWW.com


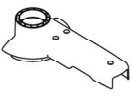
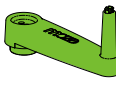


Australia - Maze Products
 1300 449 107
www.mazeproducts.com.au

INCLUDED COMPONENTS


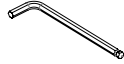
PART	PART NUMBER	QTY	DESCRIPTION
	AA	15 +2 SPARE	BUTTONHEAD SOCKET SCREW M5x16
	AB	4	BUTTONHEAD SOCKET SCREW M5x25
	AC	16 +1 SPARE	BUTTONHEAD SOCKET SCREW M5x45
	AD	6	BUTTONHEAD SOCKET SCREW M5x55
	AM	2	BUTTONHEAD SOCKET SCREW M5x90
	AF	1	OVERSIZED M5 WASHER
	AG	30 +2 SPARE	SELF CLINCHING NUT M5
	AH	13 +1 SPARE	NYLOC NUT M5

PART	PART NUMBER	QTY	DESCRIPTION
	G	1	SLIDING DOOR -TIME
	H	1	SLIDING DOOR -PLUS
	I	1	AXLE
	J	2	LEG BOTTOM
	K	2	LEG VERTICAL
	L	1	STAND BASE
	M	2	STAND BRACKET
	N	2	BARREL SPACER

PART	PART NUMBER	QTY	DESCRIPTION
	AJ	1	END CAP CHS 38mm
	AK	5	END CAP RHS 25x50mm
	AL	1	NYLON SPACER
	AR	20 +1 SPARE	SNAP NUT
	AS	20 +2 SPARE	SNAP PIN
	A	1	DOOR PANEL
	B	4	PANEL
	C	1	CAP -NO HOLES
	D	1	CAP -HOLES
	E	2	DIVIDER
	F	4	INTERNAL GEAR

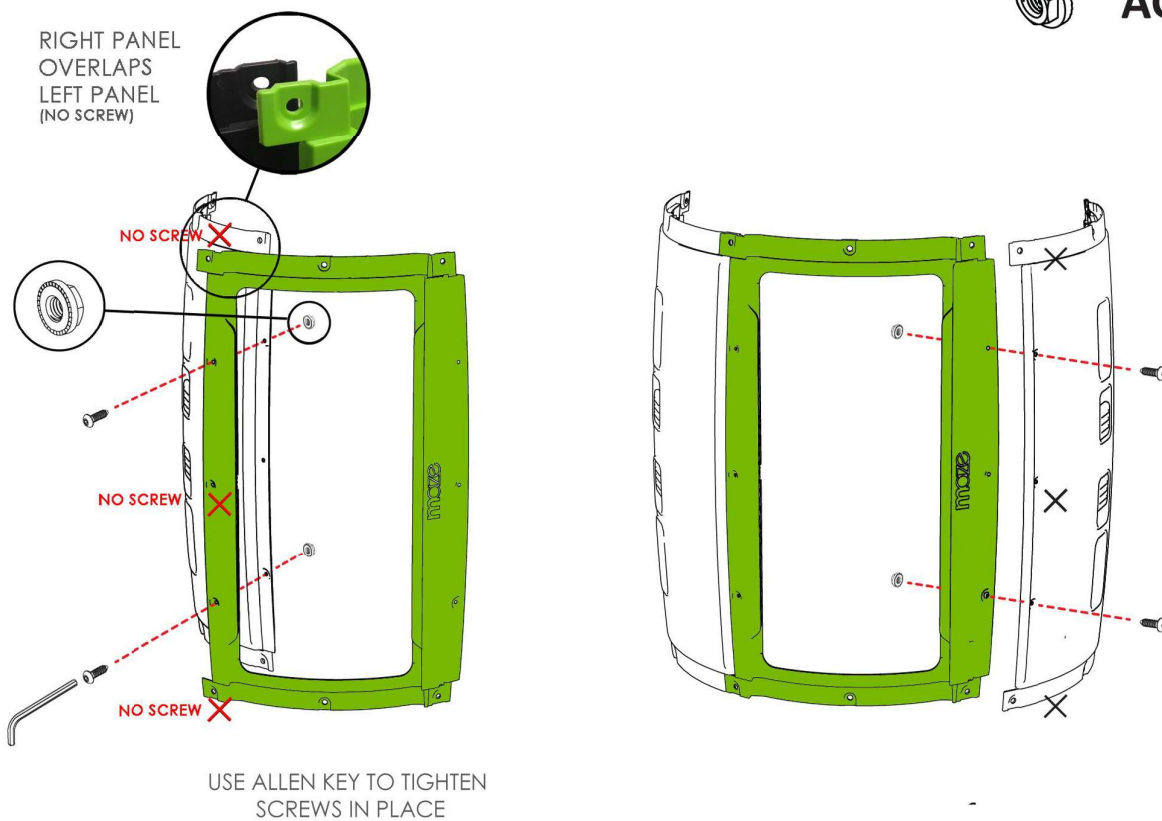
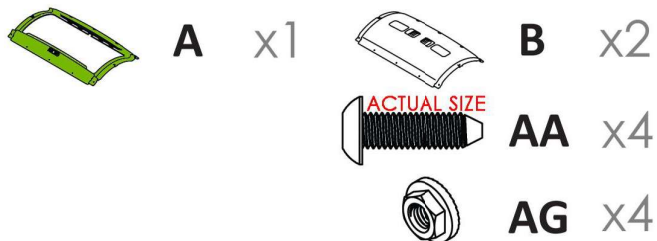
PART	PART NUMBER	QTY	DESCRIPTION
	O	1	INNER GEAR COG
	P	1	CRANK COVER
	Q	1	CRANK ARM
	R	1	CRANK HANDLE (PREASSEMBLED TO Q)
	S	1	CRANK RACHET

TOOLS PROVIDED:

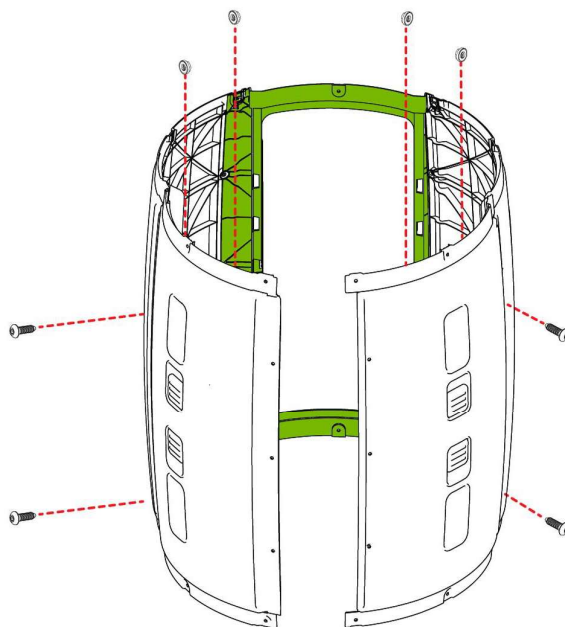
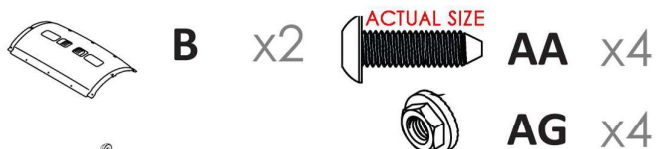
	8MM SPANNER
	3MM ALLEN KEY

STEP 1

TIP: IN THESE INSTRUCTIONS WE HAVE SUGGESTED THE BEST WAY TO POSITION THE PARTS AND THE BARREL. PLEASE TRY TO FOLLOW AS PER THE DIAGRAMS.

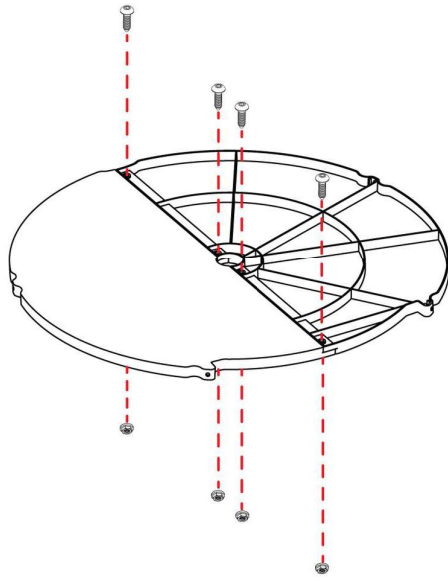
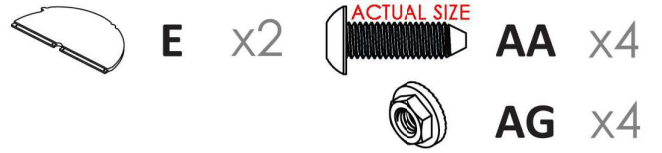


STEP 2

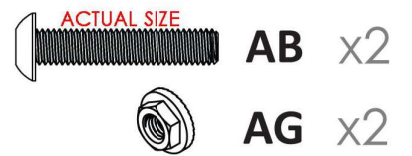


ENSURE TO LEAVE THE BACK PANELS OPEN

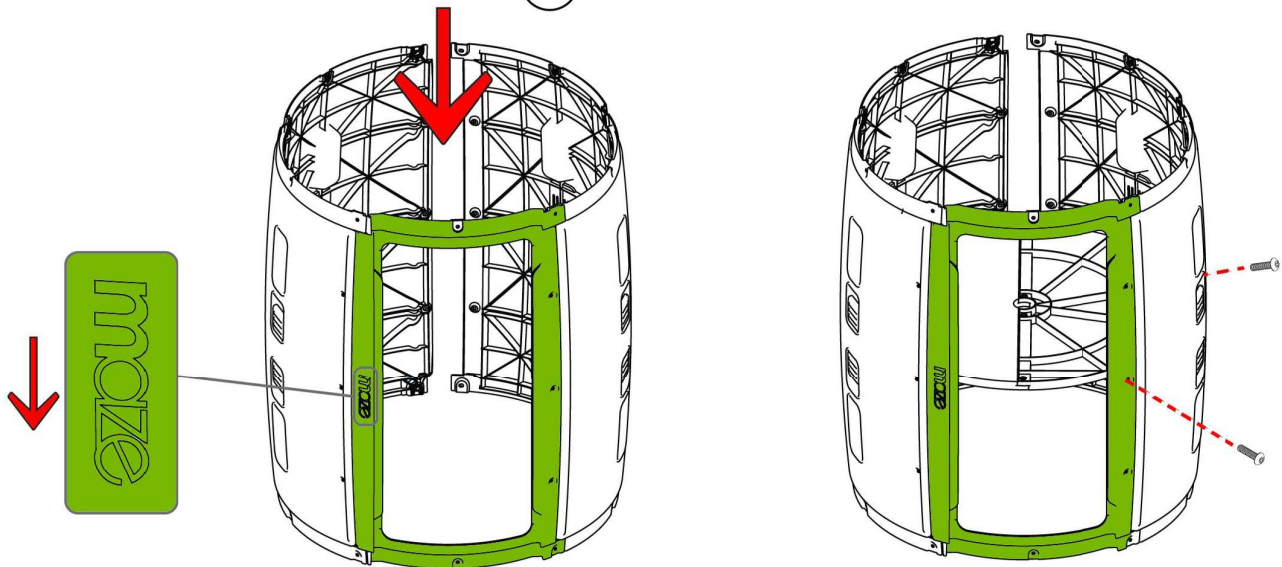
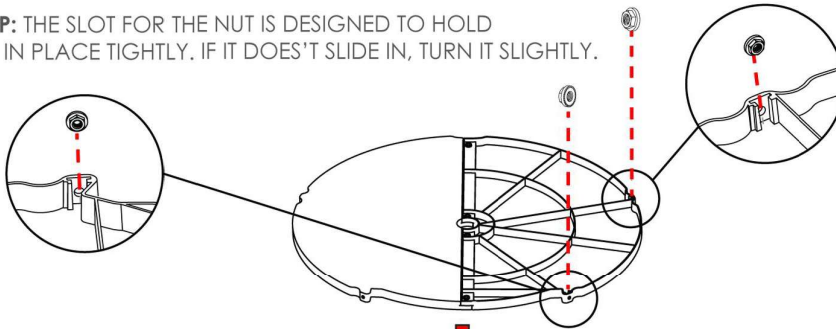
STEP 3



STEP 4



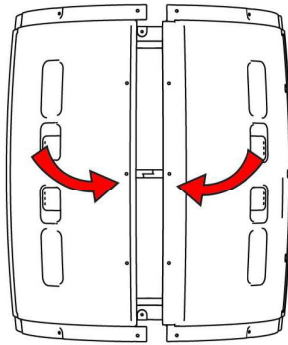
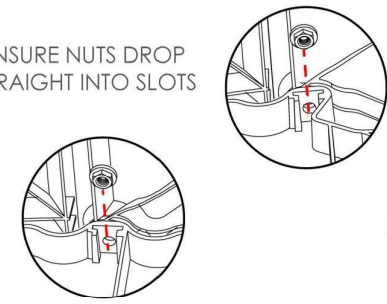
TIP: THE SLOT FOR THE NUT IS DESIGNED TO HOLD IT IN PLACE TIGHTLY. IF IT DOES'T SLIDE IN, TURN IT SLIGHTLY.



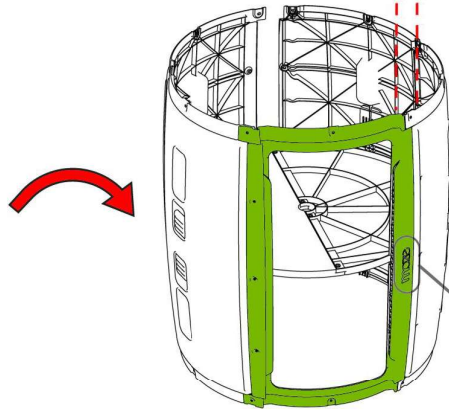
TIP: WHILE INSERTING THE SCREWS YOU MAY FIND IT EASIER TO HOLD THE DIVIDER (PART E) IN PLACE FROM THE HOLE IN THE MIDDLE OF THE DIVIDER.

STEP 5

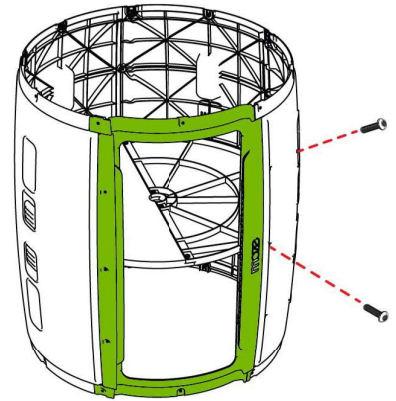
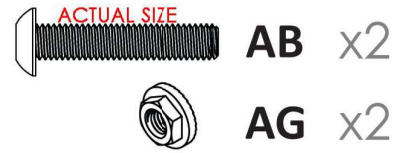
ENSURE NUTS DROP STRAIGHT INTO SLOTS



SQUEEZE PANELS TOGETHER

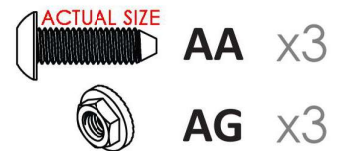
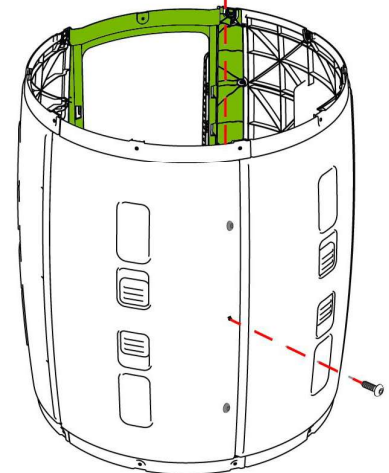
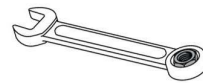
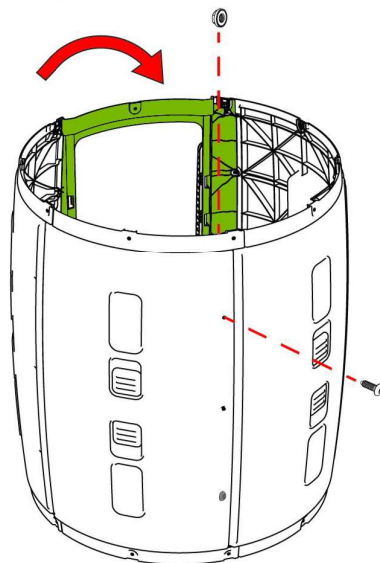
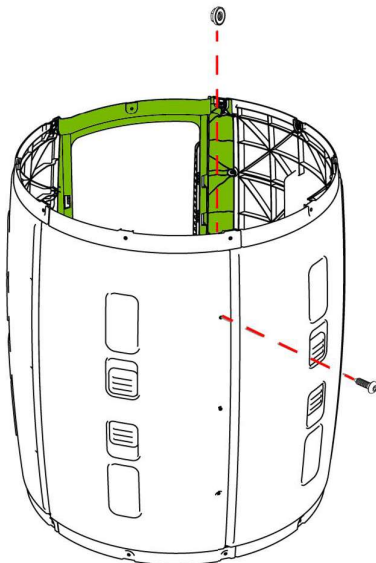


FLIP BARRELL OVER CAREFULLY



STEP 6

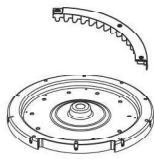
FLIP BARRELL OVER CAREFULLY



TIP: YOU MAY FIND IT EASIER TO PLACE THE NUT IN THE SPANNER HOLE AND MOVE IT INTO POSITION **OR** PUSH THE DIVIDER DOWN SLIGHTLY TO HOLD THE NUT WITH YOUR HAND

STEP 7

SELECT THE PART WITH THE EXTRA HOLES AS BELOW (NOT PART C)



F x4

D x1

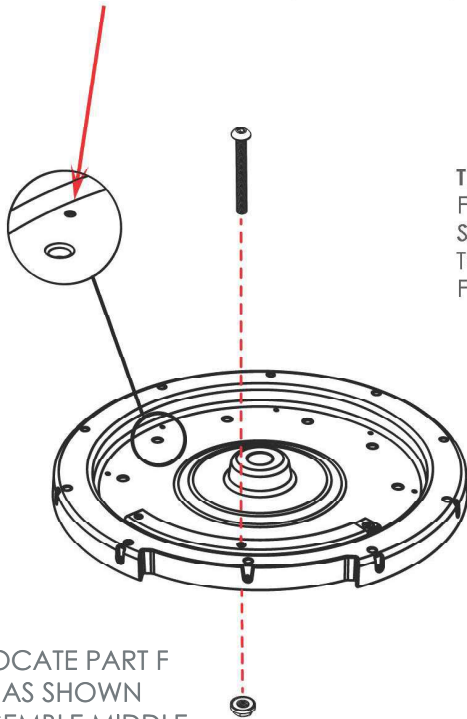


AC x8



AG x8

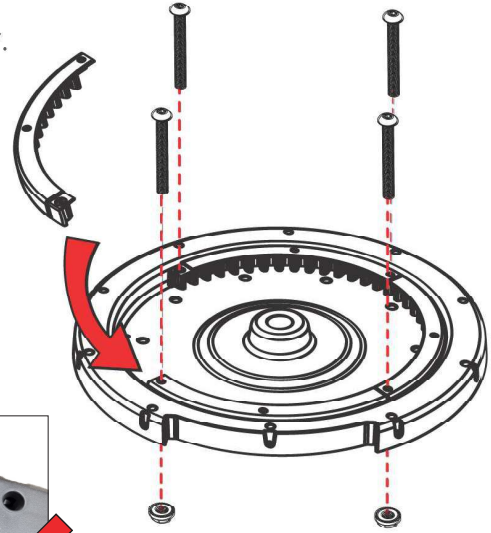
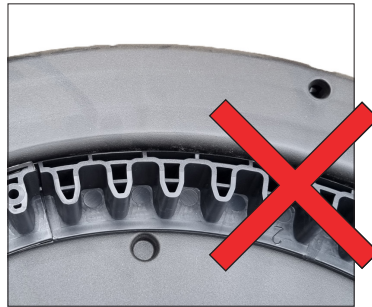
ATTACH BOLTS AT JOINTS BETWEEN GEARS FIRST
THEN REMAINING 3 BOLTS



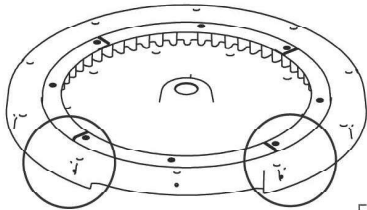
LOCATE PART F AS SHOWN ASSEMBLE MIDDLE BOLT FIRST

TIP: MAKE SURE PART F IS FACING THE CORRECT WAY, SO THAT THE TEETH ARE TOUCHING PART D AND FLAT SIDE IS FACING UP.

BELOW IS INCORRECT



STEP 8

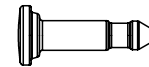


FASTEN PART D TO BARREL IN THESE TWO LOCATIONS FIRST (AS CIRCLED)

TIP: THE MAZE LOGO SHOULD BE FACING THIS WAY TO ENSURE HANDLE AND GEAR WILL END UP ON THE RIGHT SIDE



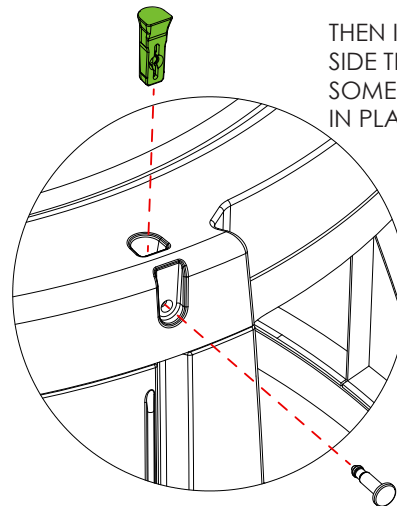
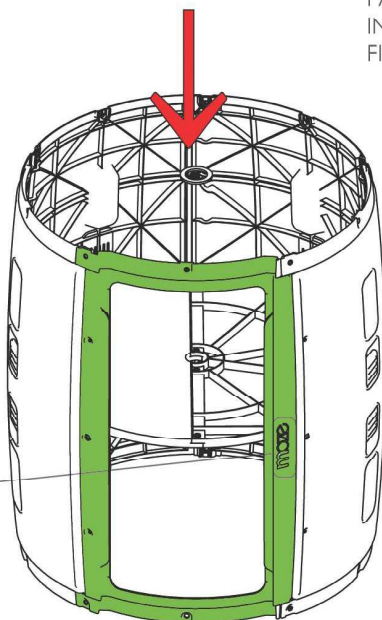
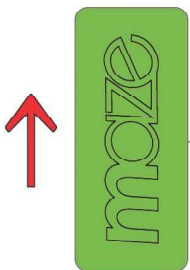
AR x10



AS x10



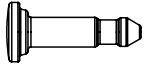
TIP: INSERT SNAP NUTS INTO HOLES IN THE END CAP - ALIGNING THEM WITH THE D SHAPE OF THE HOLE. SNAP NUTS SHOULD SIT FLUSH WITH OUTER FACE WHEN INSERTED CORRECTLY.

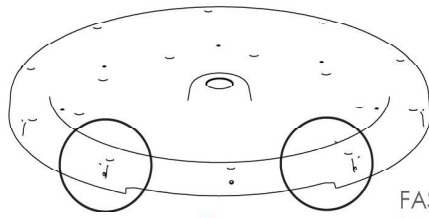
THEN INSERT THE PIN FROM THE SIDE THROUGH THE HOLE - WITH SOME FORCE TO LOCK SNAP NUT IN PLACE WITH A "CLICK"



"CLICK!"

STEP 9

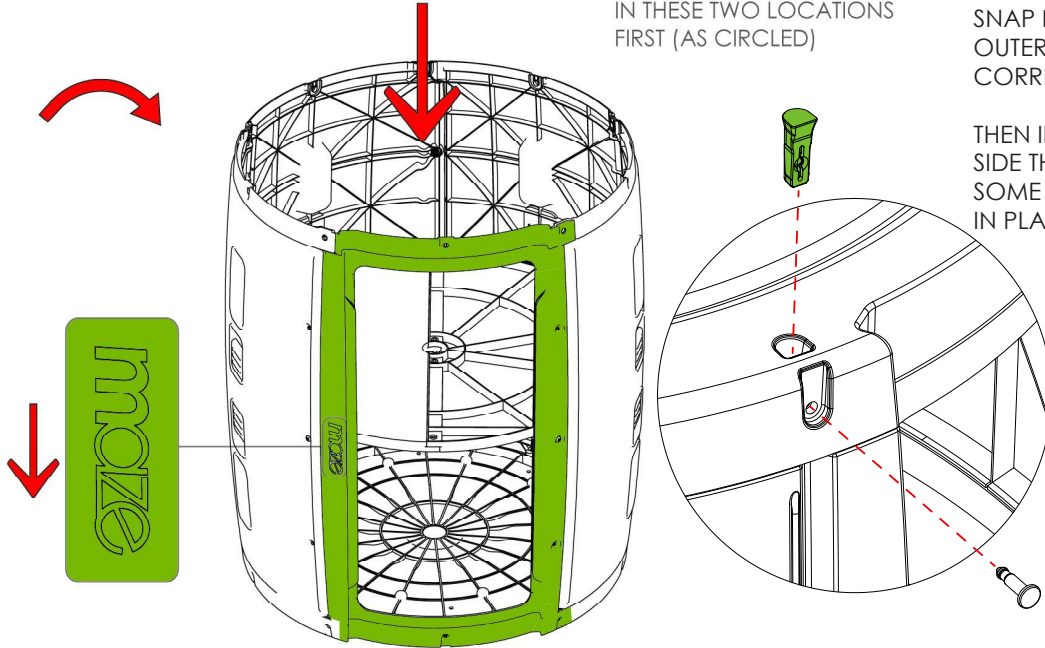
-  **C** x1
-  **AR** x10
-  **AS** x10



FASTEN PART C TO BARREL IN THESE TWO LOCATIONS FIRST (AS CIRCLED)

TIP: INSERT SNAP NUTS INTO HOLES IN THE END CAP - ALIGNING THEM WITH THE D SHAPE OF THE HOLE. SNAP NUTS SHOULD SIT FLUSH WITH OUTER FACE WHEN INSERTED CORRECTLY.

THEN INSERT THE PIN FROM THE SIDE THROUGH THE HOLE - WITH SOME FORCE TO LOCK SNAP NUT IN PLACE WITH A "CLICK"

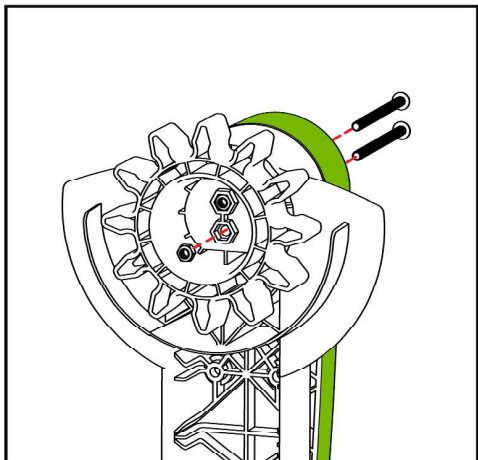
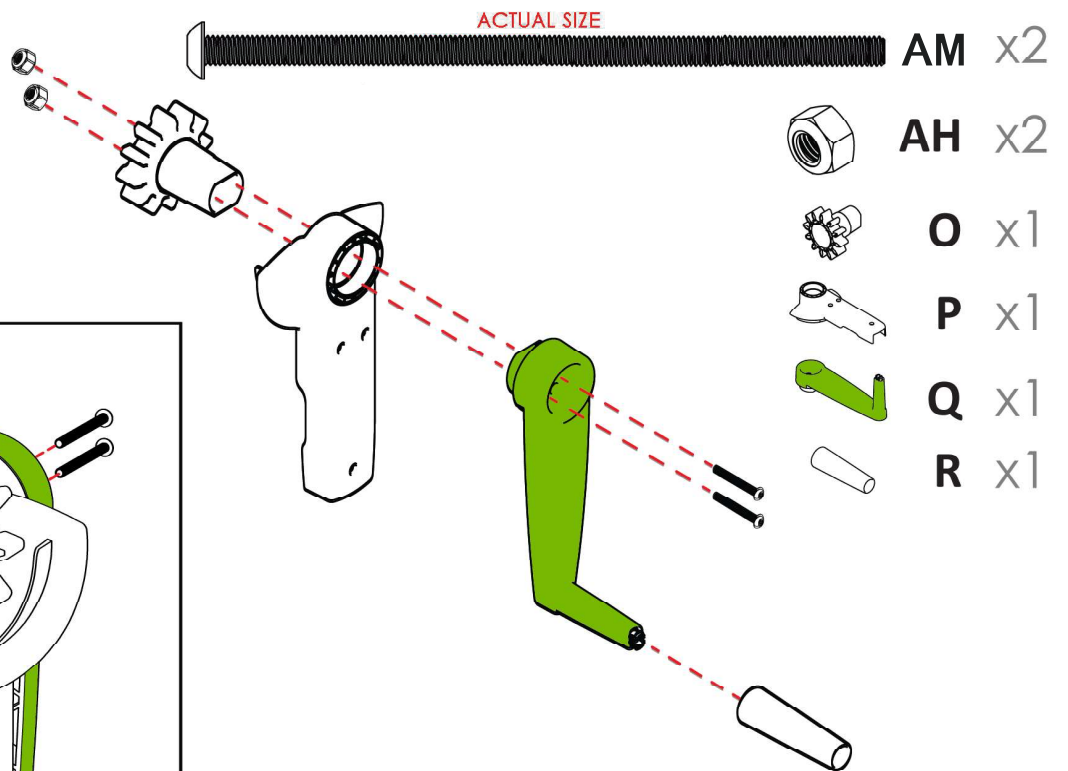


"CLICK!"

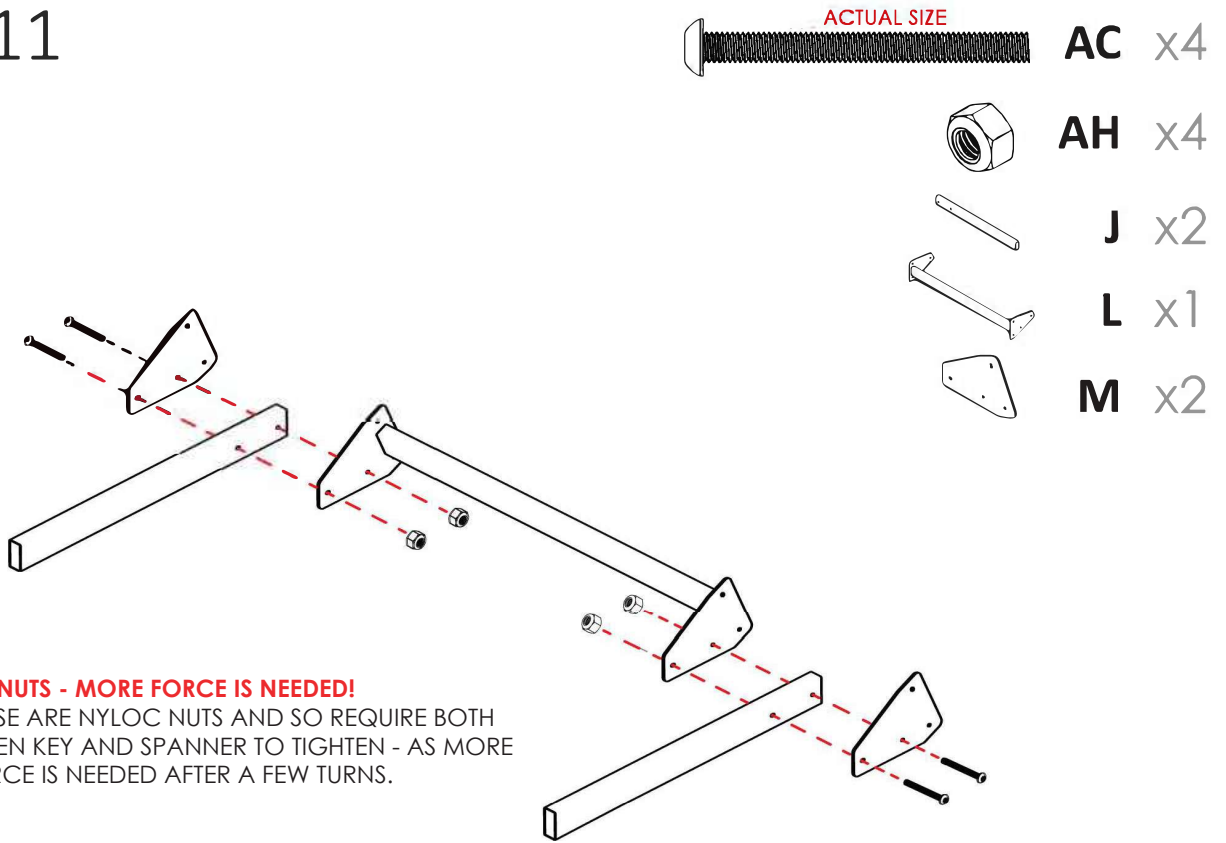
FLIP BARRELL OVER CAREFULLY

STEP 10

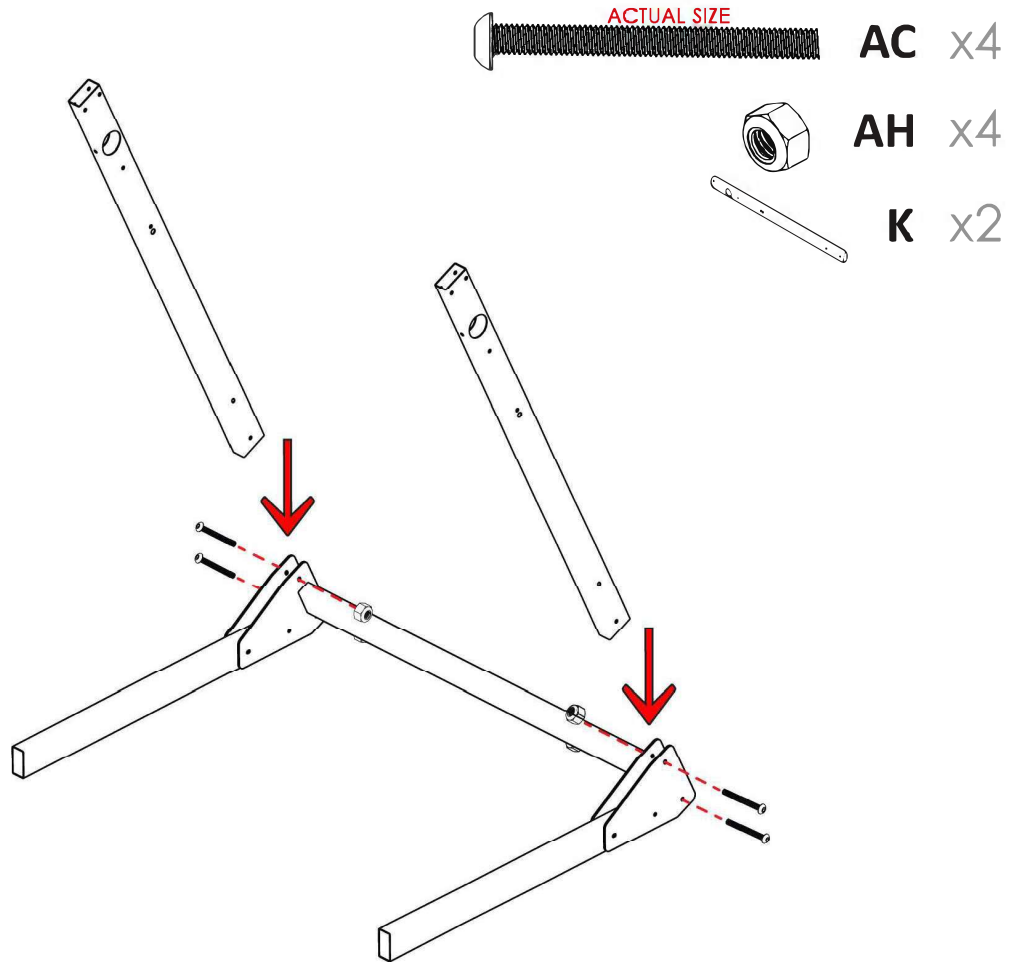
IF PURCHASED WITH EASY-TURN GEAR THEN IGNORE THIS STEP AND MOVE TO STEP 11



STEP 11

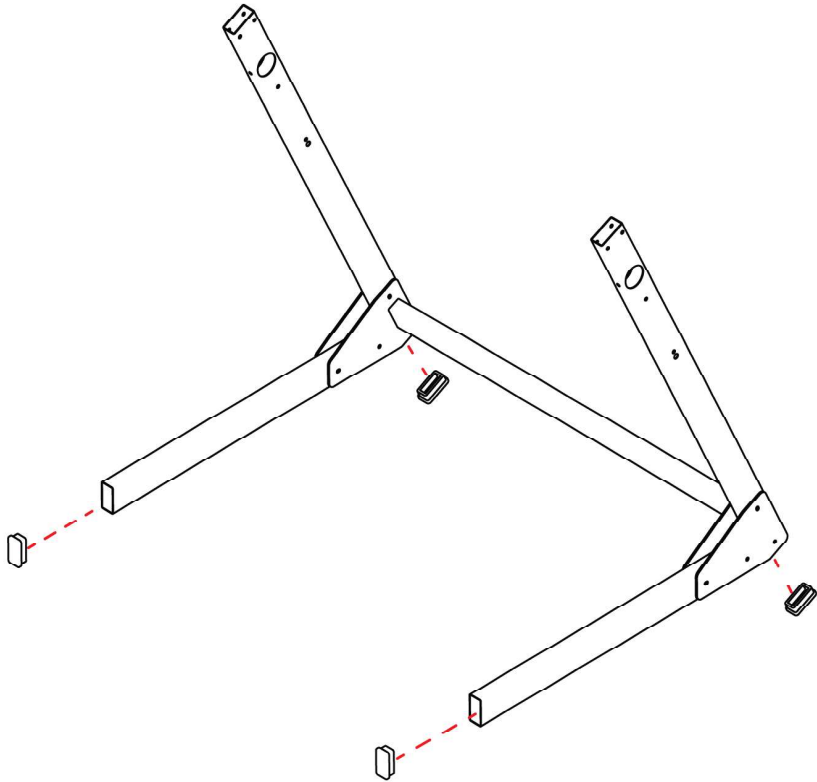


STEP 12



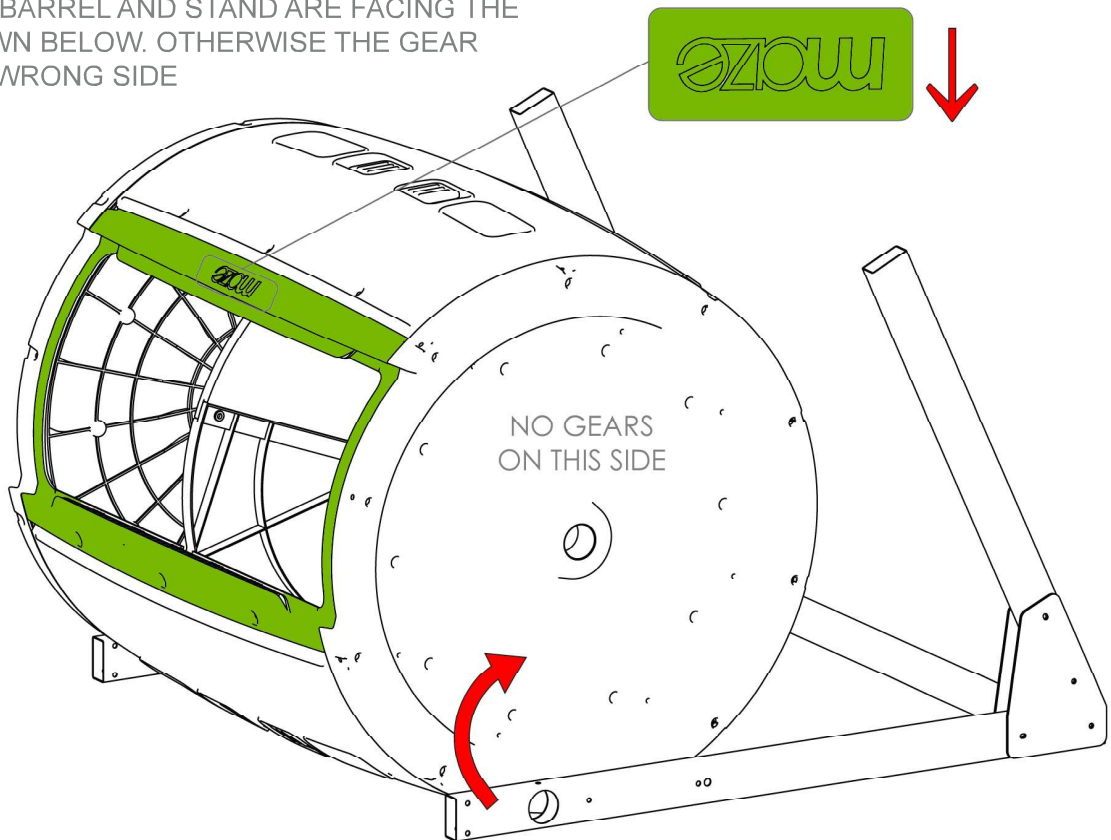
STEP 13

 **AK** x4

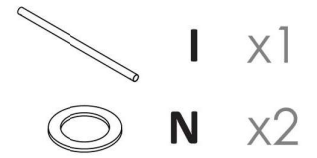


STEP 14

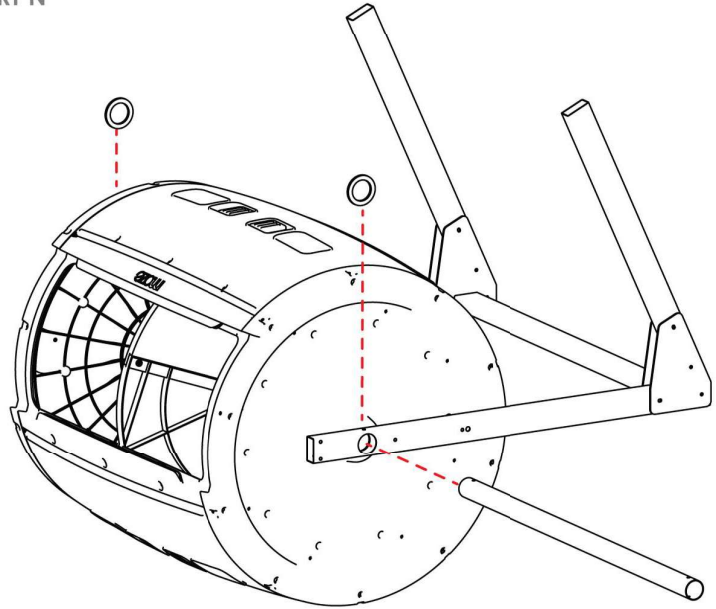
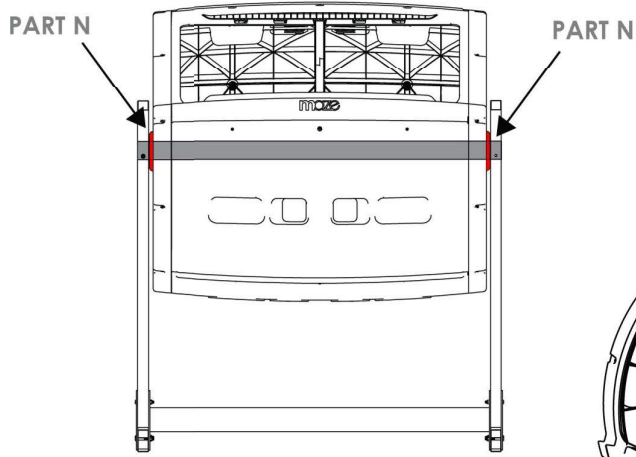
MAKE SURE THE BARREL AND STAND ARE FACING THE DIRECTION SHOWN BELOW. OTHERWISE THE GEAR WILL BE ON THE WRONG SIDE



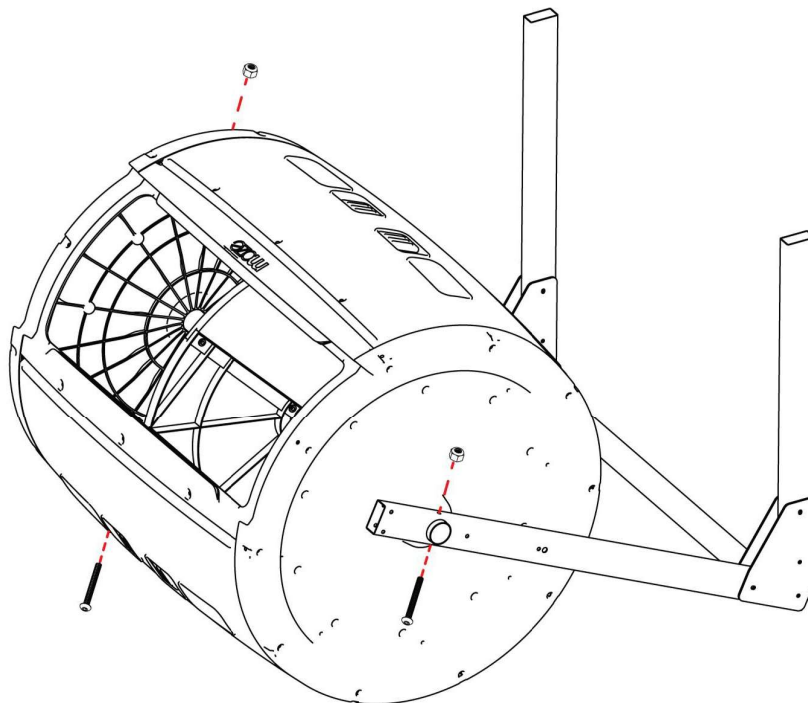
STEP 15



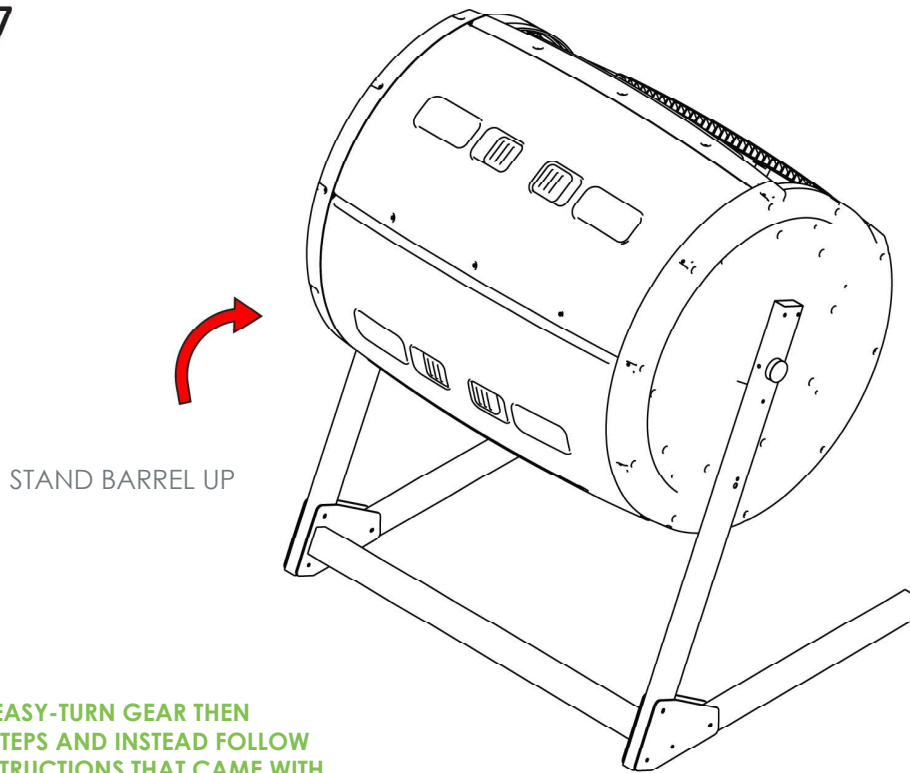
THREAD BARREL SPACERS (PART N) ONTO AXLE (PART I)
BARREL SPACERS SHOULD SIT BETWEEN THE BARREL
AND STAND ON BOTH SIDES.



STEP 16



STEP 17



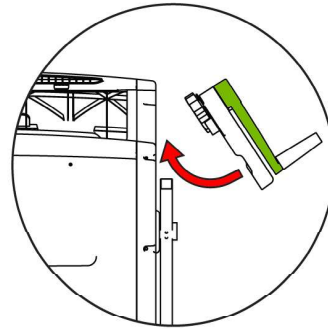
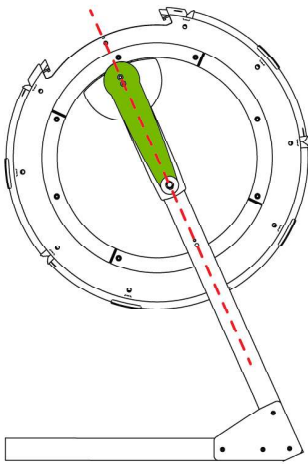
STAND BARREL UP

IF PURCHASED WITH EASY-TURN GEAR THEN IGNORE THE NEXT 3 STEPS AND INSTEAD FOLLOW STEPS 1 - 3 IN THE INSTRUCTIONS THAT CAME WITH THE EASY-TURN GEAR.

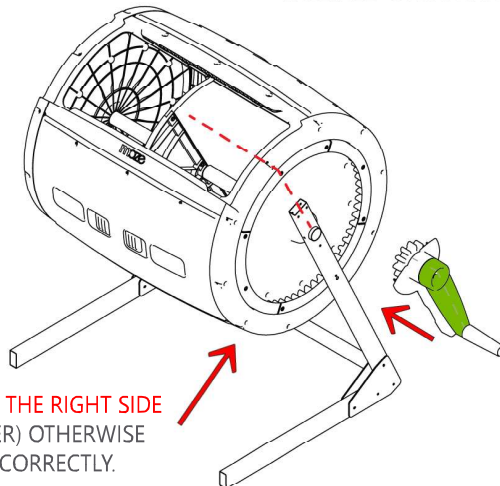
STEP 18

AS ASSEMBLED IN STEP 10  x1

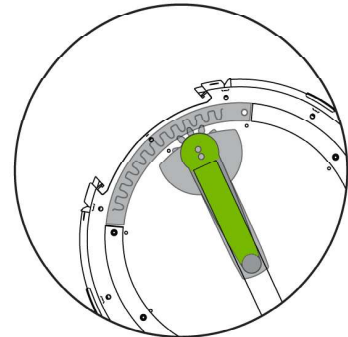
TIP: ALIGN THE DOOR OPENING WITH THE ANGLE OF THE STAND, AS IN THE BELOW DRAWING. THIS WILL ENSURE THE HANDLE IS NOT IN THE WAY OF THE DOOR OPENING.



ARM ASSEMBLY MUST BE INSERTED ON AN ANGLE



GEARS & HANDLE MUST BE ON THE RIGHT SIDE (WHEN FACING THE COMPOSTER) OTHERWISE THE RATCHET WILL NOT WORK CORRECTLY. IF NOT GO BACK TO STEP 14




GEAR TEETH IN ARM SHOULD FIT INTO GEAR TEETH ON BARREL

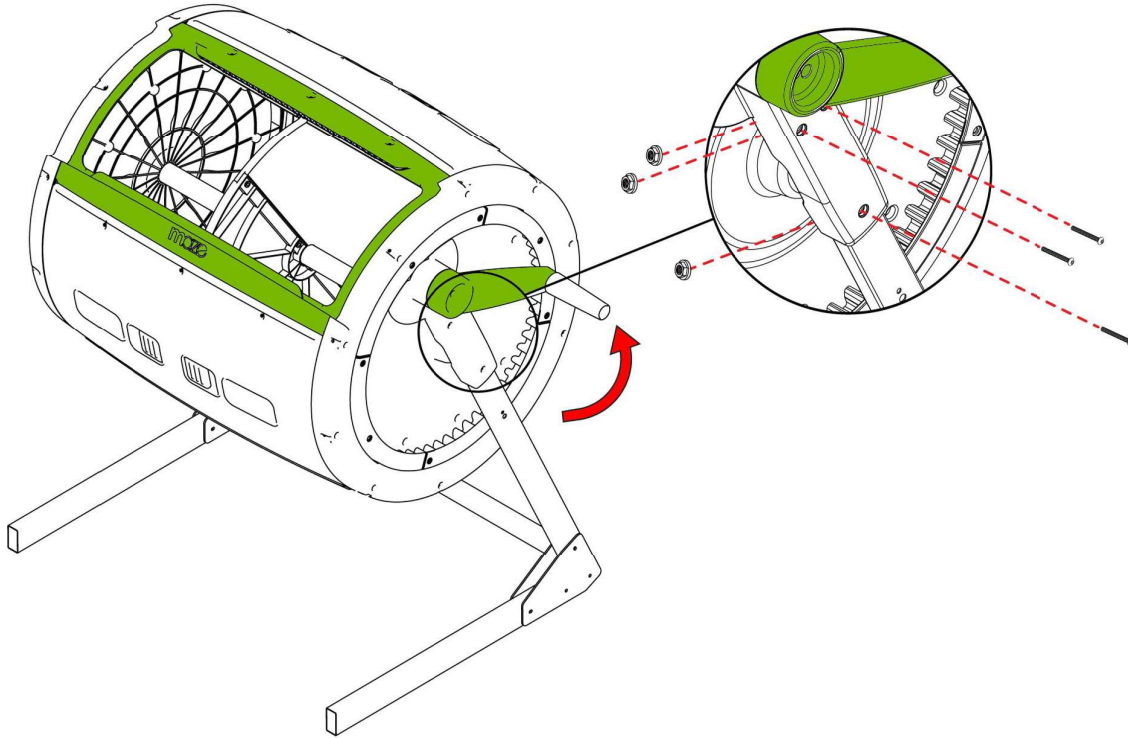
THE PLASTIC COVER WILL FIT OVER THE STAND

STEP 19






TIP: YOU SHOULD BE ABLE TO REACH THE NUTS (DIFFERENT ONES TO THE LAST STEPS) AND HOLD THEM IN POSITION UNTIL THEY REACH THE STAND AND WILL SELF TIGHTEN

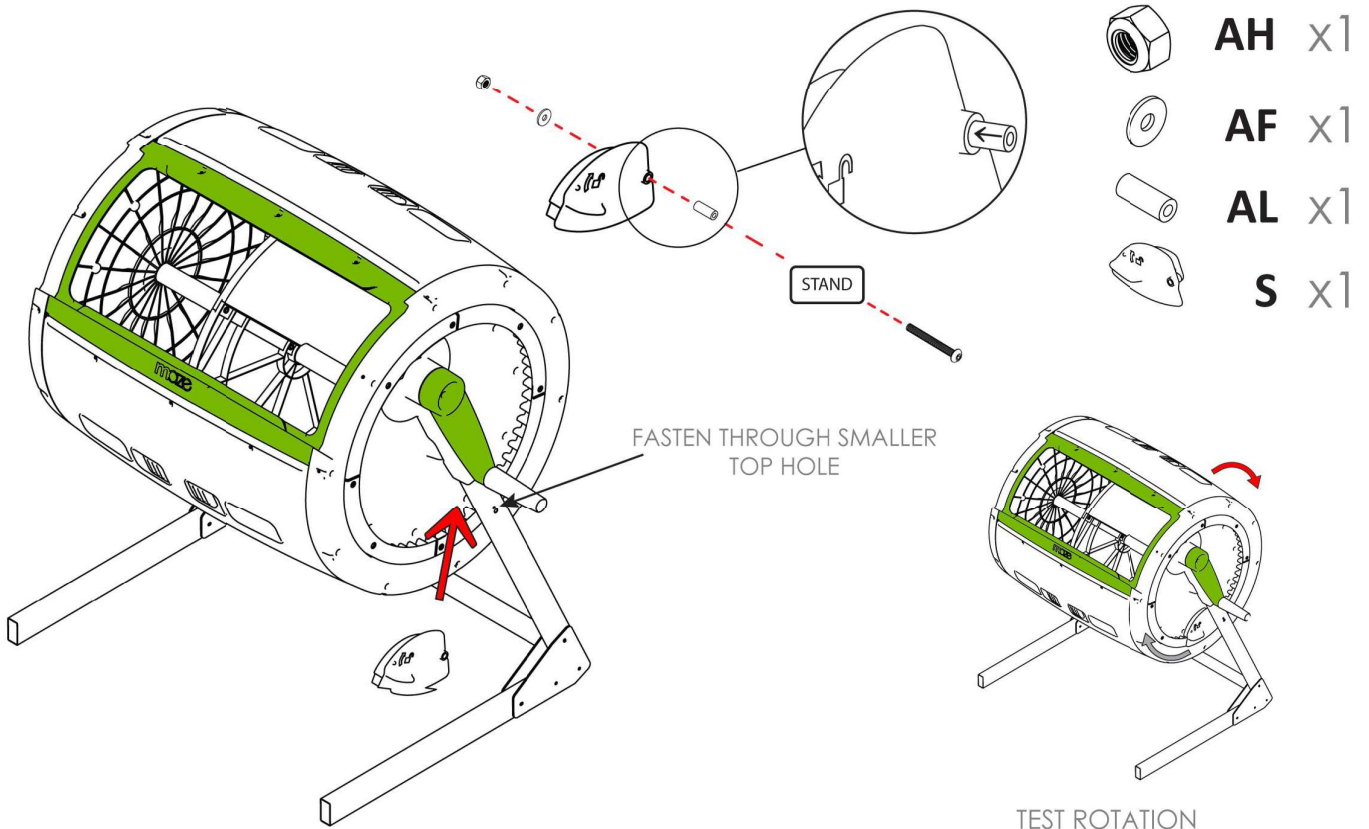
-  **AD** x3
-  **AG** x3

TIP: MAKE SURE TO USE THE SELF CLINCHING NUTS





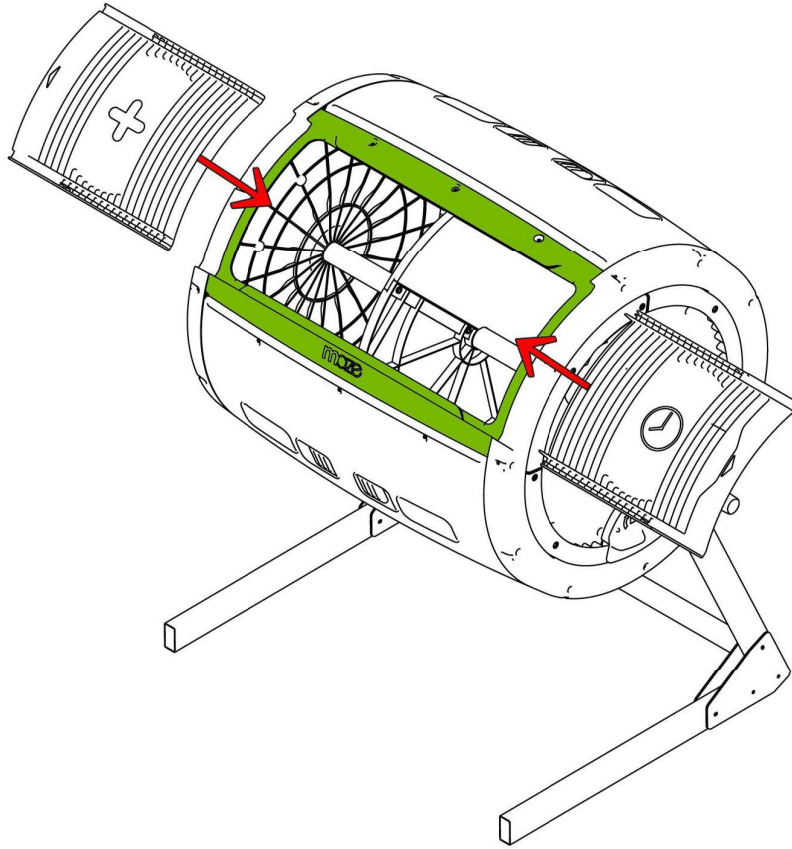
STEP 20

-  **AD** x1
-  **AH** x1
-  **AF** x1
-  **AL** x1
-  **S** x1




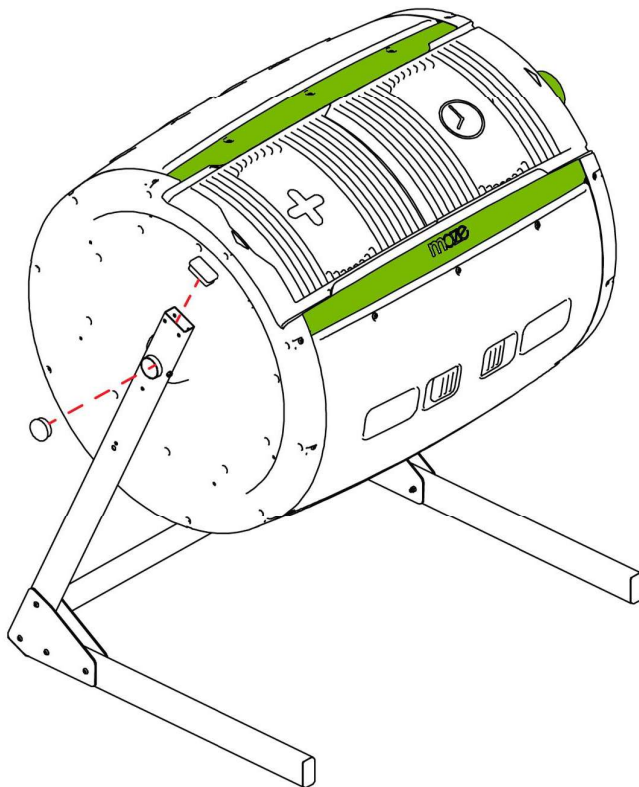
STEP 21

-  **G** x1
-  **H** x1

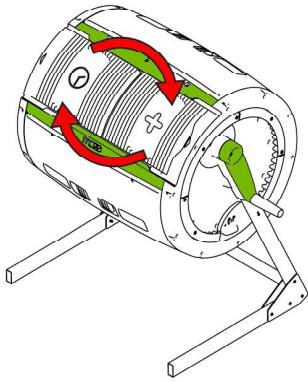


STEP 22

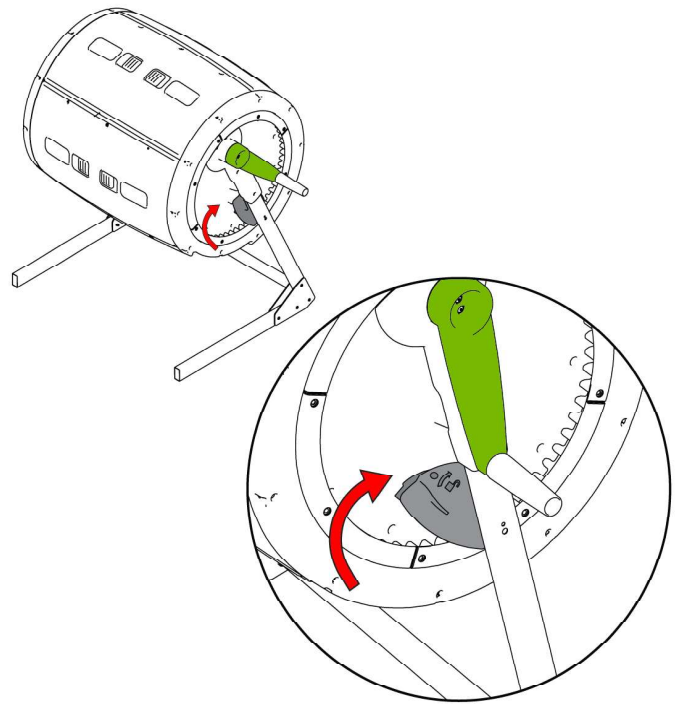
-  **AK** x1
-  **AJ** x1



FEATURES:

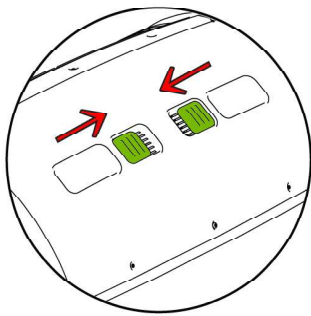


SLIDING DOORS ARE INTERCHANGABLE
ON EITHER SIDE OF BARREL



PULL AND ROTATE RATCHET UP, SO THAT BUMP ON
RATCHET SNAPS IN PLACE BEHIND CRANK COVER

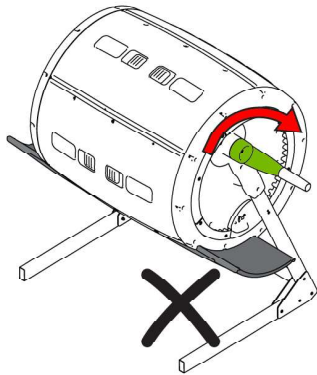
LOCKING THE RATCHET IN THIS POSITION WILL
ALLOW THE BARREL TO ROTATE FREELY



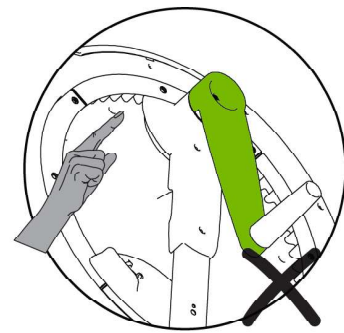
SLIDE OPEN OR
CLOSE AIR VENTS

GENERAL GUIDE:
IF THE MIXTURE IS TOO
WET KEEP VENTS OPEN

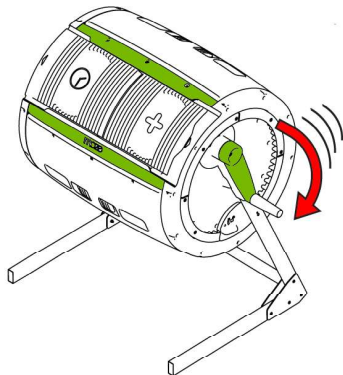
WARNINGS:



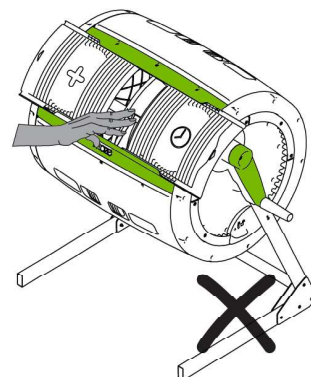
DO NOT ROTATE BARREL WITH DOORS OPEN



BEWARE OF CATCHING FINGERS IN GEARS



STAND CLEAR OF HANDLE AS IT MAY SPIN FAST



BEWARE OF CATCHING FINGERS IN DOOR

How to compost – Brief guide to get you started

1. Why compost?

Composting is a noble art with a very long history in sustainable food production. More and more, people are motivated by the desire for healthy soil, healthy food and a smaller environmental footprint. If all food waste was composted, food grown in our farms and gardens would be healthy, tasty and good to eat. *Read more at mazingproducts.com.au/composting*

2. How to compost

Making compost is just like making a cake. We need the right ingredients in the correct proportions and mixed properly. We also need to get the moisture content and aeration right. But unlike making a cake, we don't have to be too precise about how we mix things.

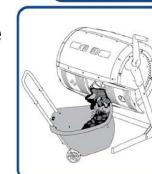
In simple terms, we are managing a balance between stuff that is easy to break down, and stuff that takes a bit longer. This is most easily understood by calling the easy-to-break-down stuff the 'green', and the harder-to-break-down stuff, the 'brown'. A 50/50 mixture of green to brown is a great place to start for successful composting.

Simple steps

1. Collect kitchen scraps in a kitchen caddy or indoor composter. It will speed things up if you chop this waste where possible.
2. Add the kitchen scraps to composter with some 'brown' scraps at similar timeframes. Try to chop up or shred the brown waste as well if possible.

If using the divided option start by adding to one half only. Use the door with the '+' symbol to remind you which side is being filled.

3. Turn the composter at least 2-3 times a week. When adding waste always give it a few turns.
4. Keep adding until full (or too hard to turn) ensuring to keep the consistency right. Once the first side is full, start filling the other compartment. Make sure to swap the doors so now the '⌚' door is on the side that you just filled and the '+' is on the empty side.
5. You will know when the '⌚' side is ready when the contents look and smell like soil. Once it is ready, rotate the opening to the bottom, place a bucket or Compost Cart under and then slide the door open to let the compost fall out. You may need to help it come out by using a trowel to scrape it out
6. Once empty swap the doors around again and start filling the empty side and repeat



3. What to compost

Table 1 below gives you an idea of what is green and what is brown. Table two gives you some idea of what else you can / cannot put into a compost. For best results chop or shred greens and browns before adding, and make sure the mix is moist, not wet. Remember, we want to blend green and brown 50 / 50 by weight, not by volume.

Table 1. Green and Brown Compost Inputs

Green	Notes
Green leaves	Good to use
Grass clippings	Great addition when mixed well; can become smelly if not mixed
Green weeds	Avoid putting in seeds or runners
Fruit or vegetable scraps	Good to use
Cut flowers	Good to use but chop up into 100mm lengths before adding
Cooked food	No chunky meat, cheese or very oily wastes (e.g. fine meat or cheese like leftover spaghetti bolognese is ok)
Cow, horse, pig, chicken manures (not dog or cat)	Good to use. Dog and cat manures can harbour diseases so best not to use.
Lucerne hay	Good to use
Blood and bone or dynamic lifter	Use only if you have too much 'brown' materials. Sprinkle lightly and make sure everything is kept moist.

Brown	Notes
Brown leaves	Good.
Dead grass or weeds	Good.
Paper and cardboard	Good
Mulch, Sawdust, Hay or Straw	Good to use if you have an imbalance of 'green'.

Table 2. Do's and Don'ts

Do not use:	Cooking oil, dog or cat manures, chunky meat or cheese, bones
OK to use:	Egg shells, wood ash, bread, milk or juice past its 'use by' date

Read more at mazingproducts.com.au/composting

4. How to use compost

This is where you get rewarded for your attention to your compost bin. Composting can take anywhere from 8 weeks to 24 weeks to mature and be ready to be applied to your garden. Compost that you buy from the hardware is usually quite fine because commercial composters screen the material before sale to remove the chunky bits.

You are encouraged to do the same as you will most likely find large particles such as twigs or mango or avocado stones still not broken down. It is a simple process to remove these by hand and put them back into the compost to continue breaking down.

Compost can be surface applied or dug into the soil. If you are applying compost to an established garden or under fruit trees, you really have no choice but to apply it to the surface as you can't easily dig it in. If you are applying compost to your vegetable garden, then you want to dig it in. *read more ... at mazingproducts.com.au/composting*

For more info, FAQs and troubleshooting visit mazingproducts.com.au/composting

Maze Distribution, 28 Buckland St, Clayton VIC 3168 Australia
1300 449 107 www.mazingproducts.com.au

Riverstone USA
customerservice@rsiww.com www.RSIWW.com