

4 Operation

4.1 Safe Operation

FOR YOUR SAFETY READ BEFORE OPERATING

WARNING: If you do not follow these instructions exactly, a fire or explosion may result causing property damage, personal injury or loss of life.

- A. This appliance does not have a pilot. It is equipped with an ignition device which automatically lights the burner. Do not try to light the burner by hand.
- B. **BEFORE OPERATING** smell all around the appliance area for gas. Be sure to smell next to the floor because some gas is heavier than air and will settle on the floor.

WHAT TO DO IF YOU SMELL GAS

- Do not try to light any appliance.
 - Do not touch any electric switch; do not use any phone in your building.
 - Immediately call your gas supplier from a neighbor's phone. Follow the gas supplier's instructions.
 - If you cannot reach your gas supplier, call the fire department.
- C. Use only your hand to turn the gas shutoff valve. Never use tools. If the valve will not turn by hand, don't try to repair it, call a qualified service technician. Force or attempted repair may result in a fire or explosion.
- D. Do not use this appliance if any part has been under water. Immediately contact a qualified installer or service agency to replace a flooded water heater. Do not attempt to repair the unit! It must be replaced!

OPERATING INSTRUCTIONS

1. **STOP!** Read the safety information above on this label.
2. Set the thermostat to lowest setting.
3. Turn off all electric power to the appliance.
4. Do not attempt to light the burner by hand.
5. Turn the gas shutoff valve located on the outside of the unit to the closed position.
6. Wait five (5) minutes to clear out any gas. If you then smell gas, STOP! Follow "B" in the safety information above on this label. If you don't smell gas, go to the next step.
7. Turn the gas shutoff valve located on the outside of the unit to the open position.
8. Turn on all electrical power to the appliance.
9. Set thermostat to desired setting.
10. If the appliance will not operate, follow the instructions in "To Turn Off Gas to Appliance" and call your service technician or gas supplier.

TO TURN OFF GAS TO APPLIANCE

1. Set the thermostat to lowest setting.
2. Turn off all electric power to the appliance if service is to be performed.
3. Turn the gas shutoff valve located on the outside of the unit to the closed position.



WARNING

It is absolutely forbidden to use this water heater without installing a smoke exhaust pipe.



DANGER

Steam from flammable liquids can explode and catch fire, causing death or severe burns.

Do not use or store flammable products such as benzene, solvents or adhesives in the same room or area near the water heater.

Read and follow the water heater warnings and instructions. If the user manual is missing, contact your retailer or manufacturer.

Save flammable products:

1. Keep away from the heater.
2. In an approved container.
3. Closed, children are not in contact.
4. The water heater has a main burner that can be turned on at any time and ignites flammable vapors.

steam:

1. Can't see.
2. It is heavier than air.
3. Take a long road on the floor.
4. Can be transported from other rooms to the main burner by air flow.



DANGER

1. Water temperature above 125 °F (52 °C) will immediately cause severe burns or burns.
2. Children, the disabled and the elderly are at the highest risk of being burned.
3. Test the water temperature before bathing or showering.

4. The outlet temperature of the water heater is set to 107 °F (42 °C). If the water temperature you need is lower than this setting, please follow the instruction manual.

5. Use this heater at your own risk. Test the water temperature before showering. Do not leave children or infirm unattended. For available temperature limit valves, please consult your local water supply company [pipeline retailer].



DANGER

Pressure relief valve hot water supply system unit complying with safety valve and automatic shut-off gas standard, ANSI Z 21. 22-csa 4.4, should be installed at the manufacturer's designated position during installation.

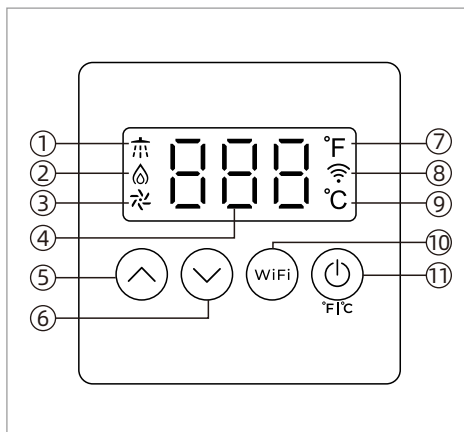
Pressure relief device for safe operation of water heaters. Do not disassemble or block the safety valve. No valves shall be provided between the safety valve and the water heater. The relief valve should be placed in a position where it will not cause damage. Also, no other reducer fittings or other restrictions may be placed on the drain line to limit flow. For installation and maintenance of pressure relief valves, see the installation manual heading "Relief Valves" Valve Discharge Lines and other safety precautions.

4.2 Built-in controller





WARNING

Do not store or use gasoline or other flamm-able vapors and liquids in the vicinity of this or any other appliance.



- ① Shower signal
- ② Flame
- ③ Blower
- ④ Display setting temperature/
Display fault code/
Display water temperature
- ⑤ Heat up button
- ⑥ Heat down button
- ⑦ Fahrenheit display
- ⑧ WiFi icon
- ⑨ Celsius display
- ⑩ WiFi button
- ⑪ Switch button & Celsius/Fahrenhei

1. The unit's outlet water temperature setting range is 95 °F ~ 149 °F (35 °C ~ 65 °C);
2. Press " ^ ", the temperature will increase; Press this button continuously the temperature increase continuously.
3. Press " v ", the temperature will decrease. Press this button continuously the temperature will decrease continuously.

 In the standby mode, please press and hold "" to switch between Fahrenheit and Celsius temperature display.

When powered on, the device automatically enters pairing mode. If the WiFi icon is not flashing, click the " WiFi".

Press and hold the "WiFi" for 5 seconds. Release the button when the WiFi icon starts flashing.

The set temperature will be locked automatically when it reaches 120 °F (49 °C). Press and hold " ^ " 3 seconds to unlock and reset the temperature.

■ Controller Thermometer

°F	95	96	98	100	102	104	105	107	109
°C	35	36	37	38	39	40	41	42	43
°F	111	113	114	116	118	120	122	123	125
°C	44	45	46	47	48	49	50	51	52
°F	127	129	131	132	134	136	138	140	141
°C	53	54	55	56	57	58	59	60	61
°F	143	145	147	149					
°C	62	63	64	65					

* Factory setting (default): 107 °F(42 °C).

■ **How to use the mixing valve:**

1. Turn on the cold water tap.
2. Mix hot and cold water to get the proper water temperature.
3. When the use is over, close the water valve.



°F	°C	Time to produce serious burn
120	49	More than 5 minute
125	52	One and a half to two
130	54	About 30 seconds
135	57	About 10 seconds
140	60	Less than 5 seconds
145	63	Less than 3 seconds
150	66	About 1.5 seconds
155	68	About 1 seconds



WARNING

Minors are not allowed to operate the water heater themselves unless accompanied by a guardian.

- If the temperature is set too high, it may cause hot water burns.
- If overheating occurs or the gas supply cannot be turned off, turn off the manual switch gas control valve to the unit.



WARNING

Temperatures above 125 °F (52 °C) can cause severe burns or burns. The risk of injury to children, the disabled and the elderly is high.