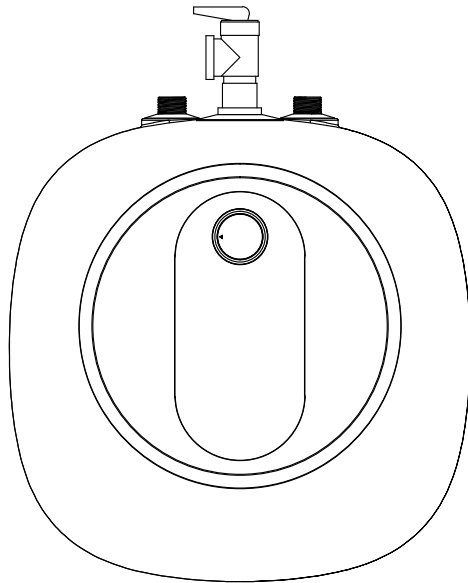


Electric Mini-Tank Water Heater

Infinite Classic



Model:
EES025
EES040
EES080



CONTENTS

1	Safety Information	03
1.1	Safety Definitions	03
1.2	Safety Messages	03
2	Information about the product	05
2.1	Models overview	05
2.2	Dimensions	06
2.3	Technical data	07
3	Installation instructions	08
3.1	Mounting the heater	08
3.2	Pipe connections	08
3.3	Closed system thermal expansion	09
4	Use	10
4.1	Starting and testing	10
4.2	Temperature setting	10
5	Maintenance	11
5.1	Removing the cover	11
5.2	Draining the heater	11
5.3	Inspecting the anode rod	11
5.4	Removing the heating element	11
5.5	Descaling the heating element	12
6	Replacement of parts	13
6.1	Changing the anode rod	13
6.2	Changing the heating element	13
6.3	Changing the thermostat	13
7	Troubleshooting	14
7.1	Fault Assessment and Troubleshooting	14
7.2	Resetting High Limit Switch	15
8	Interior components diagram	16
	French	17

1 Safety Information

1.1 Safety Definitions

This manual has safety information and instructions to help you eliminate or reduce the risk of accidents and injuries.



DANGER

Indicates an imminently hazardous situation which, if not avoided, will result in death or serious injury.



WARNING

Indicates a hazardous situation that, if not avoided, could result in death or serious injury.



CAUTION

Indicates a hazardous situation which, if not avoided, could result in property damage and minor or moderate injury.



NOTICE

This symbol indicates important information where there is no risk to people or property.

Additional symbols

Symbol	Explanation
■	Step in an action sequence
→	Cross-reference to another part of the document
•	List entry

1.2 Important Safety Instructions



WARNING

When using electrical appliances, safety precautions to reduce the risk of fire, electric shock or injury to persons should be followed.

1. READ ALL INSTRUCTIONS BEFORE USING THIS WATER HEATER.
2. This water heater must be grounded. Connect only to properly grounded outlet. See "GROUNDING INSTRUCTIONS" found on (specific page or section to be included).
3. Install or locate this water heater only in accordance with the provided installation instructions.
4. Use this water heater only for its intended use as described in this manual.
5. Do not use an extension cord set with this water heater. If no receptacle is available adjacent to the water heater, contact a qualified electrician to have one properly installed.
6. As with any appliance, close supervision is necessary when used by children.
7. Do not operate this water heater if it has a damaged cord or plug, if it is not working properly, or if it has been damaged or dropped.
8. This water heater should be serviced only by qualified service personnel. Contact nearest authorized service facility for examination, repair, or adjustment.
9. Do not use multi-outlet adaptors (i.e. power strips) with this water heater.
10. Failure to inspect the anode rod at least once a year could cause the tank to fail and leak. This condition is not covered under the manufacturer's warranty.
11. Any water heater should be installed in such a manner that if it should leak, the resulting flow of water will not cause damage to the area in which it is installed. National Plumbing codes require a drain pan for any water heater installation. Failure to install one is the sole responsibility of owner and/or installer. Reference UPC 2006 (Uniform Plumbing Code) Section 508.1, or IPC 2006 (International Plumbing Code) Section 504.7.



CAUTION

The installer should review the contents of this manual with the owner upon completion of installation, and the manual should be left with the owner and placed in a location close to the installation.



CAUTION

The manufacturer cannot be responsible for the damages caused by improper installation or by failure to follow instructions in this manual. Comply with the installation instructions before completing electric connection.



CAUTION

The thermostat has been pre-set at the factory at a temperature equal or below 51.7 °C (125 °F) (→ Fig. 1).

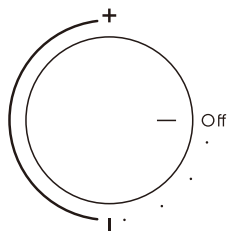


Fig. 1



CAUTION

Any water heater should be installed in such a manner that if it should leak, the resulting flow of water will not cause damage to the area in which it is installed. National Plumbing codes require a drain pan for any water heater installation. Failure to install one is the sole responsibility of owner and/or installer. Reference UPC 2006 (Uniform Plumbing Code) Section 508.1, or IPC 2006 (International Plumbing Code) Section 504.7.



DANGER

Hydrogen gas is produced in a hot water system served by this heater that has not been used for a long period of time (2 weeks or more). Hydrogen gas is extremely flammable. To reduce the risk of injury under these conditions, it is recommended that the hot water faucet be opened for several minutes at the kitchen sink before using any electrical appliance connected to the hot water system. When hydrogen is present, there will probably be an unusual sound such as air escaping through the pipe as the water begins to flow. There should be no smoking or open flame near the faucet at the time it is open.



CAUTION

Prior to connecting the power supply, ensure tank is full of water and system is purged of air.



NOTICE

Tank failure due to neglecting to maintain the anode rod is not covered under warranty (see Section 5 Maintenance).



WARNING

This product can expose you to lead, which is known to the state of California to cause cancer and birth defects or other reproductive harm. For more information, go to www.P65warnings.ca.gov.

2 Information about the product

2.1 Models overview

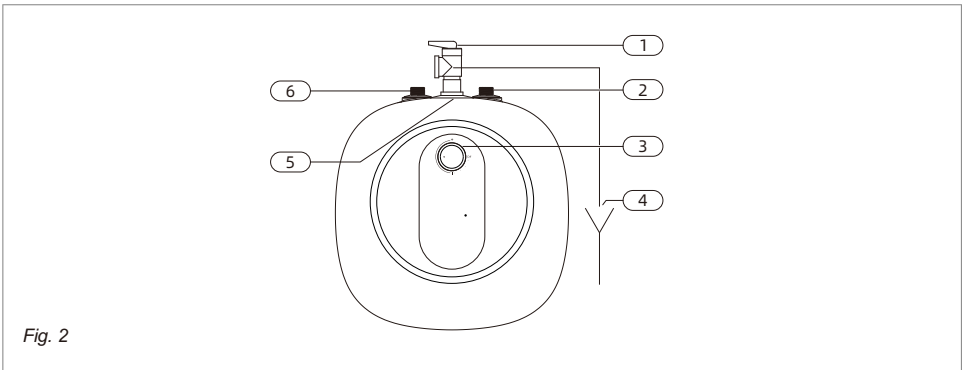
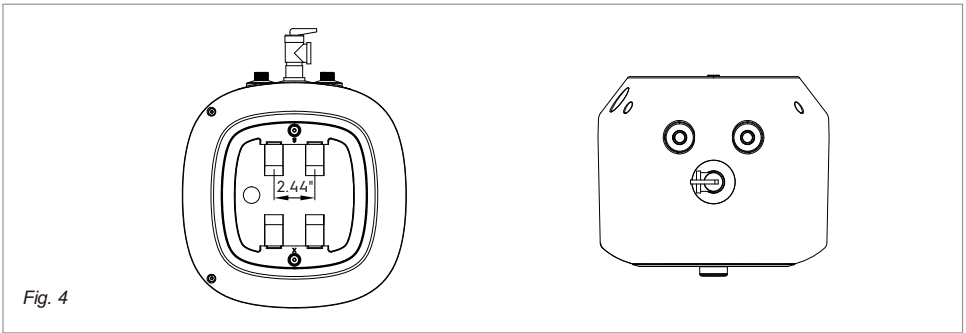
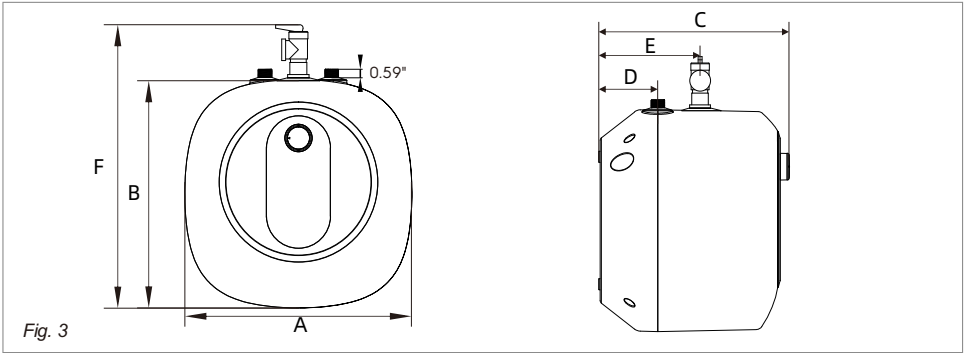


Fig. 2

1. Temperature & pressure relief valve, $\frac{3}{4}$ NPT male
2. Cold water inlet (BLUE) $\frac{1}{2}$ NPT male (EES025 and EES040)
Cold water inlet (BLUE) $\frac{3}{4}$ NPT male (EES080 equipped with converter)
3. Temperature Adjustment Knob
4. Temperature & pressure relief valve discharge line to drain
5. $\frac{3}{4}$ NPT female tapping for relief valve
6. Hot water outlet (RED) $\frac{1}{2}$ NPT male (EES025 and EES040)
Hot water outlet (RED) $\frac{3}{4}$ NPT male (EES080 equipped with converter)

2.2 Dimensions



Capacity	Dimensions (inch)					
	A	B	C	D	E	F
2.5 gal	13.39	13.39	11.42	3.58	6.14	16.89
4.0 gal	14.96	14.96	12.80	4.13	6.69	18.46
8.0 gal	17.32	17.32	15.35	5.20	8.38	20.82

* Vertically installation only

2.3 Technical data

Model (Units)	EES025	EES040	EES080
Capacity (Gallons)	2.5	4.0	8.0
Voltage (VAC)	120 for each model	120 for each model	120 for each model
Power at 120 VAC (Watts)	1440	1440	1440
Maximum water pressure (Psi)	150	150	150
Amperage (Amps)	12.0 for each model	12.0 for each model	12.0 for each model
Phases	1	1	1
Temperature range (°F)	55-145	55-145	55-145

3 Installation instructions

3.1 Mounting the heater

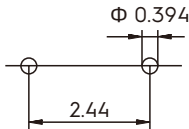
Wall mounting



NOTICE: Material damages!

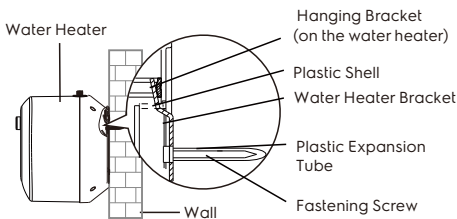
Use screws that are suitable for the wall material and the weight of the heater.

- After the installation position of the water heater is determined, drill two holes with a spacing of 2.44 inch and a diameter of Φ 0.394 inch in the horizontal direction of the wall according to the size as shown in the following figure, and the hole depth shall not be less than 2.76 inch. Insert two plastic expansion tubes into the hole, and fix the water heater bracket with fastening screws.



Install the wall hole

- Unclench the plastic shell in the back of water heater before hanging it, then align the two hanging holes on the back of the water heater with the two hooks of the water heater bracket and pull down with force to make the hanging holes hang into the hook.



CAUTION

The appliance must be hung securely to prevent personal injury and property damage from falling.

Floor mounting

- Heater can sit on floor. When the water heater is placed on the floor, additional reinforcement is required.

3.2 Pipe connections

- Connect the cold water inlet pipe to the inlet tapping (marked with a blue ring).
- Ensure a isolation valve is installed on the cold water supply to the water heater.
- Connect the hot water outlet pipe to the outlet tapping (marked with a red ring).



CAUTION

To reduce the risk of excessive pressures and temperatures in this water heater:

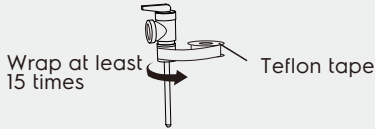
- Install the supplied temperature and pressure protective equipment required by local codes but not less than a combination temperature and pressure relief valve certified by a nationally recognized testing laboratory that maintains periodic inspection of production of listed equipment or materials, as meeting the requirements for Relief Valves and Automatic Gas Shut-off Devices for Hot Water Supply Systems, ANSIZ21.22.

The supplied temperature and pressure relief valve is marked with a maximum set pressure (150 psi) that does not exceed the marked maximum working pressure of the water heater.

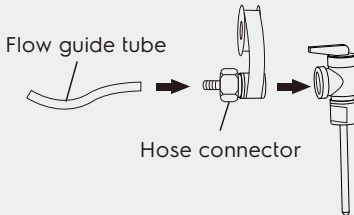
- Install the valve in the opening provided and marked for this purpose in the water heater.
- Orient it or provide tubing so that any discharge from the valve will exit within 6 inches above, or at any distance below, the structural floor, and cannot contact any live electrical part. The discharge opening must not be blocked or reduced in size under any circumstances.

**NOTICE**

Wrap the Teflon tape around the threaded opening of the pressure relief valve at least 15 times (approximately 1.2 meters in length) in order to prevent water leakage.

**NOTICE**

Wrap at least 8 turns (approximately 25.2 inches (65 cm)) of Teflon tape around the threaded opening of the hose connector.



National Plumbing codes may require a drain pan for the water heater installation. Failure to install one is the sole responsibility of owner and/or installer. Reference UPC (Uniform Plumbing Code), or IPC (International Plumbing Code).

3.3 Closed system thermal expansion

Periodic discharge of the temperature and pressure relief valve or failure of the element gasket may be due to thermal expansion in a closed water supply system. The water utility supply meter may contain a check valve, backflow preventer or water pressure reducing valve which will create a closed water system.

During the heating cycle of the water heater, the water expands causing pressure inside the water heater to increase.

The temperature and pressure relief valve may discharge hot water under these conditions which results in a loss of energy and a build-up of lime on the relief valve seat.

To prevent this from happening, there are two recommendations:

- Install a diaphragm-type expansion tank that is suitable for potable water on the cold water supply line. A minimum 0.5 gallon expansion tank should be used.

Contact the local water supplier or plumbing inspector for information on how to control this situation. Do not plug the temperature and pressure relief valve.

4 Use

4.1 Starting and testing



CAUTION

DO NOT supply power to water heater until filled with water.

To fill the heater:

- Open supply valve for water heater to fill with water.
- Open hot water tap(s) supplied by the water heater to purge air out of the system. Once air is purged, close hot water tap.
- Visually check for any leaks.

Turning heater on

For models which are not fitted with a switch:

- Supply power to the water heater by plugging in the power cord.

If the light does not come on, turn the control knob in a clockwise direction.

The light will come on until water temperature has reached the thermostat temperature setting. The light will come back on any time the water temperature inside the tank drops below the thermostat setting.



DANGER

If user's water pressure is high, TP valve may relieve pressure under high pressure during the heating process, water temperature will be over 145 °F after pressure relief, which can cause severe burns instantly or death from scalds. Please take attention!

4.2 Temperature setting

To fill the heater:

The temperature of the hot water is adjusted by rotating the knob M (Fig.5) located on the front cover. Temperature range is 55-145 °F.

- Turn the knob clockwise to increase temperature.
- Turn the knob counter-clockwise to decrease temperature.

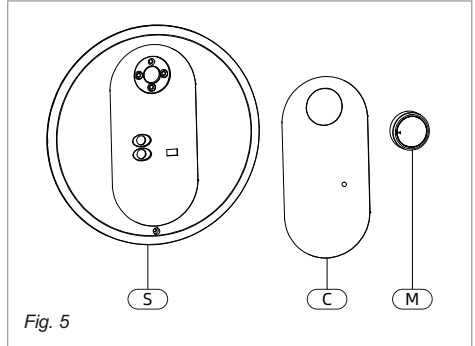


Fig. 5

5 Maintenance



CAUTION

Do not attempt to repair this water heater yourself. Call a service person for assistance. Always turn off the power supply to the heater prior to servicing or draining the heater.



NOTICE

For most of these operations, the water will have to be drained from the heater. For all of these operations the cord should be disconnected and the front cover removed.

inspection, the anode rod surface should appear smooth. If the rod surface appears pitted, bumpy, rusty, or if the rod is missing completely, then it must be replaced.

To access the anode rod:

- Remove the heating element (see Section 5.4 Removing the heating element).

Original anode rod sizes

- Length 4.72" Diameter 0.787"

Certain installations may require more frequent replacement of the anode rod:

- recirculation applications
- poor water quality
- galvanic/electrolytic corrosion
- high flow applications

In the event of poor water quality, we recommends consulting a local water treatment professional for water treatment options. Always ensure the water heater is grounded. Damage resulting from poor water quality or failure to replace the anode rod is not covered under the manufacturer's warranty. For additional questions, please call Technical Service.

5.1 Removing the cover

- Remove rubber seal which covers the Phillips screw(Fig. 5 [S]), and unscrew the Phillips screw.
- The cover (Fig. 5, [C]) can now be removed by slightly rotate. When reassembling, work in the opposite way being careful to insert the tongue of the cover into the slot.

5.2 Draining the heater

If the heater has been installed with flexible hoses:

- Shut off the power supply.
- Turn the heater upside down over a sink to drain the water out of it.

5.3 Inspecting the anode rod

If the heater has been installed with flexible hoses:

The purpose of the anode rod (Fig. 8, [N]) is to protect the tank against corrosion. It is critical that the anode rod be inspected once a year to determine whether it requires replacement. To access the anode rod, it must first be removed (see Section 5.4 Removing the heating element). Upon

5.4 Removing the heating element

- Take out the power cord L from the plastic part. (Fig. 6)
- Use a cross screwdriver to unscrew the 3-in-1 cross screw J on the heating element terminals of red wire J and blue wire C. (Fig. 6)
- Remove the wire nail I and press the thermostat capillary G and the thermal cut-out capillary H, and take it out of the blind tube opening. (Fig. 6)
- Loosen the 5 nuts and spring washer on the heating element pressing plate A with the sleeve, and take out the heating element pressing plate A. (Fig. 6)
- Remove heating element B. (Fig. 6)

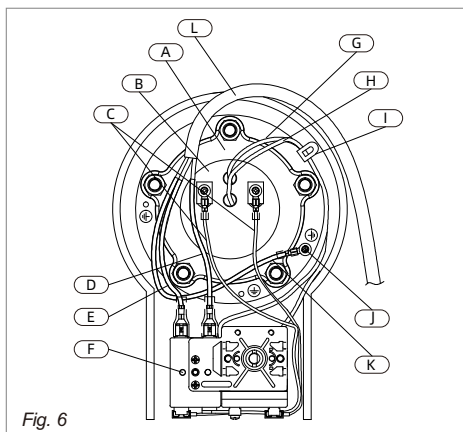


Fig. 6

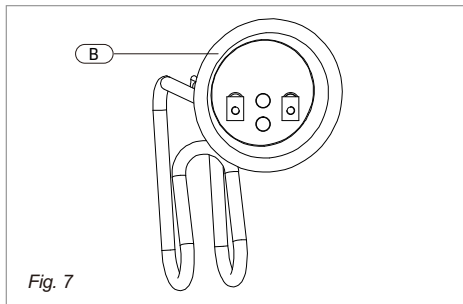


Fig. 7

5.5 Descaling the heating element

Scale deposits can affect the heating capability of the element.

Heavy scale can even cause damage to the element. The element can be descaled either chemically or manually:

- Soak the element in white vinegar or other descaling solution.
- Once descaled, rinse well with fresh water, to which you should add some baking soda.
- or-
- Once the element has dried, use a soft brush (non metallic to prevent damaging the stainless steel sheath) on element.
- Brush the dried mineral off.
- Reinstall the element with gasket and make the wire connections.

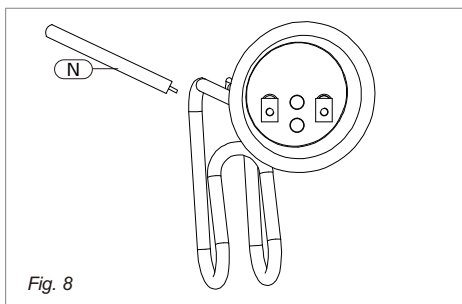


Fig. 8



NOTICE

Make sure the tank has been refilled with water before restoring power.

6 Replacement of parts

6.1 Changing the anode rod

- Turn off the power supply and drain the heater (see Draining the Heater).
- Remove heating element (see previous section).
- Unscrew anode rod from threaded connection.
- Remove and replace the anode rod (Fig. 8, [N]).
- Reinstall heating element.
- Refill tank with water before restoring power.

6.2 Changing the heating element

- Turn off power supply and drain the heater (see Draining the Heater).
- Remove the heating element (see section on Removing the Heating Element).
- Install new element with gasket, making sure the gasket and element are positioned correctly. Tighten the retaining nuts and make the wire connections.
- Ensure that the thermostat temperature sensor is inserted into the well located on the element assembly and secured with rubber grommet.
- Refill tank with water before restoring power.

6.3 Changing the thermostat

- Turn off power supply.
- Disconnect the 2 wire connectors on thermostat.
- Loosen the two brass screws at right side of thermostat and pull wires out.
- Remove thermostat temperature sensor from well located in element assembly.
- Unscrew and remove the two Phillips screws holding the thermostat onto the tank.
- Install new thermostat and re-attach wiring and screws.
- Ensure that the thermostat temperature sensor is inserted into the well located on the element assembly and secured with rubber grommet.

7 Troubleshooting

7.1 Fault Assessment and Troubleshooting

Problem	Solution
Water does not get hot	Make sure the power supply is on and working.
	If light does not come on, check that the high limit reset button is pushed in; follow steps in section 7.2.
	If the indicator light works properly but temperature does not get hot at the tap, test for a plumbing crossover; shut off cold supply to heater and open hot water tap. There should be no water flowing. Any continued flow indicates a crossover which will effect the temperature and will need to be corrected.
	Call a qualified service technician to test the resistance of the heating element (8-10 ohms). Heating element should be replaced if readings are outside these values.
Light not on	If the light does not come on, but water gets hot, check for faulty bulb.
	Check high limit reset button; follow steps in section 7.2.
Brown water	Brown or rusty water indicates a "spent" anode rod and possible deterioration of the tank body. Inspect the tank for leaks. Check anode rod (see section on changing the anode rod).
Leaking	Check water fittings and T & P fitting on top of tank.
	Remove front cover and inspect heating element gasket.
	If tank is leaking call Fogatti Water Heating for warranty claim if still within warranty period.
	Check anode rod (see section on changing the anode rod).

7.2 Resetting High Limit Switch

Occasionally, the high temperature limit shut off device may trip the reset. This occurs when water temperature exceeds 190 °F. The shut off device may also trigger from a power outage or electrical storm. To reach the thermostat:

- Disconnect power cord and remove installation cover.
- Firmly press reset button (Fig. 9, [B]) with the tip of a ball point pen or similar object.

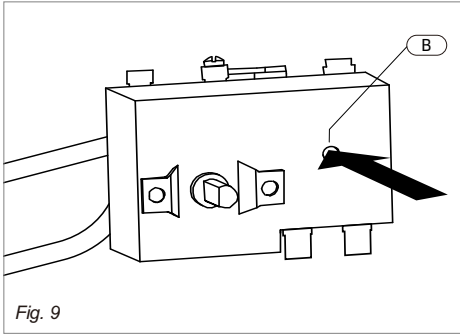


Fig. 9

A click indicates the reset was tripped.

- Reconnect power

IMPORTANT:

- Check the operation of the thermostat: Turn temperature dial from high to low.
- If the red light does not go off on low setting: Turn off power supply and call a service person to replace the thermostat.
- If the red light does go off the thermostat is working well: Place dial setting to desired setting.



NOTICE

A lower setting is more economical and reduces the risk of scalding.

- Replace cover plate.



CAUTION

Call a technician if the high limit needs to be reset frequently.

8 Interior components diagram

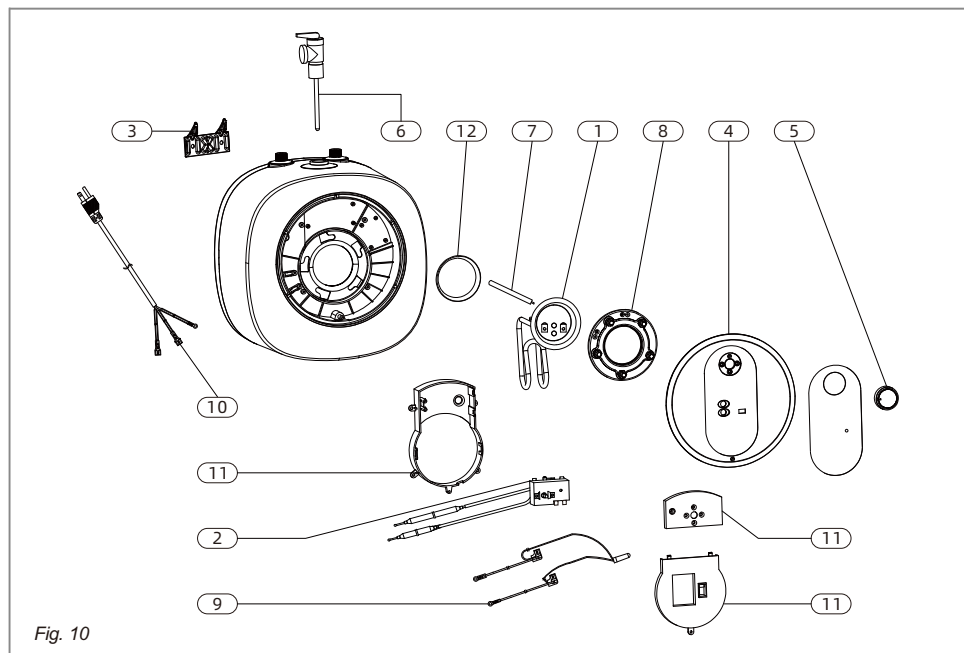


Fig. 10

Part	Description
1	Heating element 1440W
2	Thermostat
3	Heater wall hanging bracket
4	Plastic cover
5	Knob
6	Valve T&P 3/4 (attached in the product package)
7	Magnesium anode D: 16mm, L: 160 mm
8	Heating Element Pressing Plate
9	Lamp
10	Power cable
11	Fireproof component
12	Gasket

Table de matière

1	Informations de sécurité	18
1.1	La sécurité	18
1.2	Information de sécurité	18
2	Informations sur le produit	20
2.1	Aperçu des modèles	20
2.2	Dimensions	21
2.3	Données techniques	22
3	Instructions d'installation	23
3.1	Montage du chauffe-eau	23
3.2	Raccordement des tuyaux	23
3.3	Expansion thermique du système fermé	24
4	Utilisation	25
4.1	Démarrage et test	25
4.2	Réglage de température	25
5	Entretien	26
5.1	Retrait du couvercle	26
5.2	Vidange du chauffe-eau	26
5.3	Inspection de la tige d'anode	26
5.4	Démontage de l'élément chauffant	26
5.5	Détartrage de l'élément chauffant	27
6	Remplacement des pièces	28
6.1	Remplacement de la tige d'anode	28
6.2	Changement de l'élément chauffant	28
6.3	Changement du thermostat	28
7	Dépannage	29
7.1	évaluation et dépannage des problèmes	29
7.2	Réinitialisation de l'interrupteur de haute température	30
8	Schéma des composants intérieurs	31

1 Informations de sécurité

1.1 La sécurité

Ce manuel contient des informations et des instructions de sécurité pour vous aider à éliminer ou à réduire les risques d'accidents et de blessures.



DANGER

Indique une situation de danger imminent qui, si elle n'est pas évitée, peut entraîner la mort ou des blessures graves.



AVERTISSEMENT

Indique une situation dangereuse qui, si elle n'est pas évitée, peut entraîner la mort ou des blessures graves.



ATTENTION

Indique une situation dangereuse qui, si elle n'est pas évitée, peut entraîner la perte de biens et des dommages légers ou modérés.



AVIS

Ce symbole indique des informations importantes qui ne présentent aucun danger pour les personnes ou les biens.

Symboles supplémentaires

Symbol	Explication
▪	Étape d'une séquence d'actions
→	Renvoi à une autre partie du document
•	Entrée de liste

1.2 Instructions de sécurité importantes



ATTENTION

Lors de l'utilisation d'appareils électriques, il convient de respecter les consignes de sécurité visant à réduire les risques d'incendie, d'électrocution ou de blessure.

1. LISEZ TOUTES LES INSTRUCTIONS AVANT D'UTILISER CE CHAUFFE-EAU.
2. Ce chauffe-eau doit être mis à la terre. Ne le raccordez qu'à une prise de courant correctement mise à la terre. Voir "INSTRUCTIONS DE MISE À LA TERRE" dans les "INSTRUCTIONS D'INSTALLATION".
3. Installez ou localisez ce chauffe-eau uniquement en suivant les instructions d'installation fournies.
4. Utilisez ce chauffe-eau uniquement pour l'usage auquel il est destiné comme ce que décrit ce manuel.
5. N'utilisez pas de rallonge électrique avec ce chauffe-eau. Si aucune prise de courant n'est disponible à proximité du chauffe-eau, contactez un électricien qualifié pour en faire installer une.
6. Comme pour tout appareil, une surveillance étroite est nécessaire lorsqu'il est utilisé par des enfants.
7. Ne faites pas fonctionner ce chauffe-eau si le cordon ou la fiche est endommagé, s'il ne fonctionne pas correctement, s'il est endommagé ou s'il est tombé.
8. Ce chauffe-eau ne doit être entretenu que par un personnel de service qualifié. Contactez un technicien pour tout examen, réparation ou ajustement.
9. N'utilisez pas d'adaptateurs multiprises (c.-à-d. des multiprises) avec ce chauffe-eau.
10. Le fait de ne pas inspecter la tige d'anode au moins une fois par an peut entraîner une défaillance et une fuite du réservoir. Cette situation n'est pas couverte par la garantie du fabricant.
11. Tout chauffe-eau doit être installé de manière à ce que, en cas de fuite, l'écoulement d'eau qui en résultera ne cause pas de dommages à l'endroit où il est installé. Les codes nationaux de plomberie exigent un bac de vidange pour toute installation de chauffe-eau. L'absence d'un tel bac est la seule responsable du propriétaire et/ou de l'installateur. Référez-vous à la Section 508.1 du UPC 2006 (Code de plomberie uniforme) ou à la Section 504.7 du IPC 2006 (Code international de plomberie).

**AVIS**

L'installateur doit revoir le contenu de ce manuel avec le propriétaire à la fin de l'installation, et le manuel doit être laissé au propriétaire et placé dans un endroit proche de l'installation.

**AVIS**

Le fabricant ne peut pas être tenu responsable des dommages causés par une installation incorrecte ou par le non-respect des instructions de ce manuel. Respectez les instructions d'installation avant de procéder au raccordement électrique.

**AVIS**

Le thermostat a été préréglé en usine à une température égale ou inférieure à 51,7 °C (125 °F) (→Fig. 1).

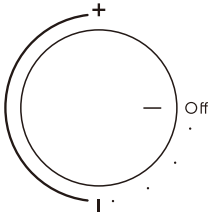


Fig. 1

**DANGER**

Du gaz hydrogène peut être produit dans un système d'eau chaude desservi par ce chauffe-eau qui n'a pas été utilisé pendant une longue période (2 semaines ou plus). Le gaz d'hydrogène est extrêmement inflammable. Pour réduire le risque de blessure dans ces conditions, il est recommandé d'ouvrir le robinet d'eau chaude pendant plusieurs minutes à l'évier de la cuisine avant d'utiliser tout appareil électrique connecté au système d'eau chaude. En présence d'hydrogène, il y aura probablement un bruit inhabituel,

comme de l'air s'échappant par le tuyau lorsque l'eau commence à couler. Il ne doit pas y avoir de cigarette ou de flamme nue près du robinet lorsqu'il est ouvert.

**ATTENTION**

Tout chauffe-eau doit être installé de manière à ce que, en cas de fuite, l'écoulement d'eau qui en résultera ne cause pas de dommages à l'endroit où il est installé. Les codes nationaux de plomberie exigent un bac de vidange pour toute installation de chauffe-eau. Le fait de ne pas en installer un relève de la seule responsabilité du propriétaire et/ou de l'installateur. Référez-vous à la Section 508.1 du code UPC 2006 (Code de plomberie uniforme) ou à la Section 504.7 du IPC 2006 (Code international de plomberie).

**ATTENTION**

Avant de brancher l'alimentation électrique, assurez-vous que le réservoir est plein d'eau et que le système est purgé d'air.

**AVIS**

La défaillance du réservoir due à la négligence de l'entretien de la tige d'anode n'est pas couverte par la garantie (voir Section 5 Entretien)

**AVERTISSEMENT**

Ce produit peut vous exposer au plomb, un produit reconnu par l'État de Californie comme pouvant provoquer le cancer, des malformations congénitales ou d'autres troubles de la reproduction. Pour plus d'informations, consultez le site www.P65warnings.ca.gov.

2 Informations sur le produit

2.1 Aperçu des modèles

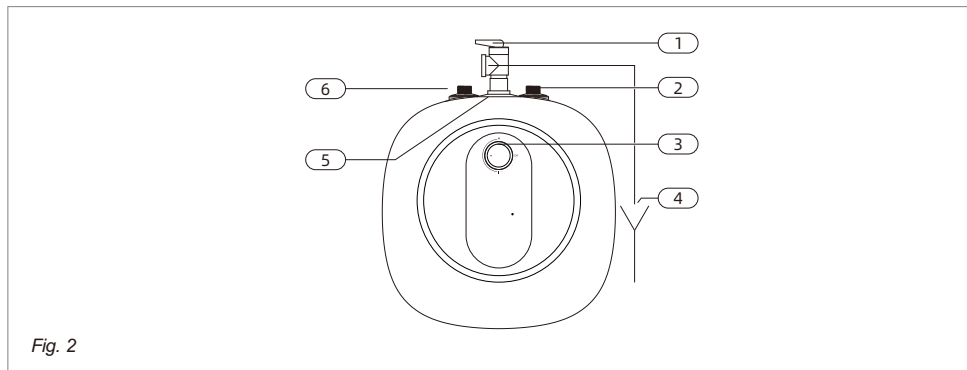
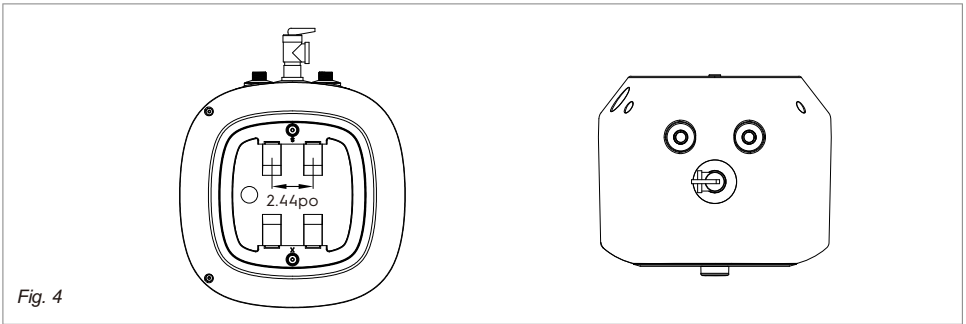
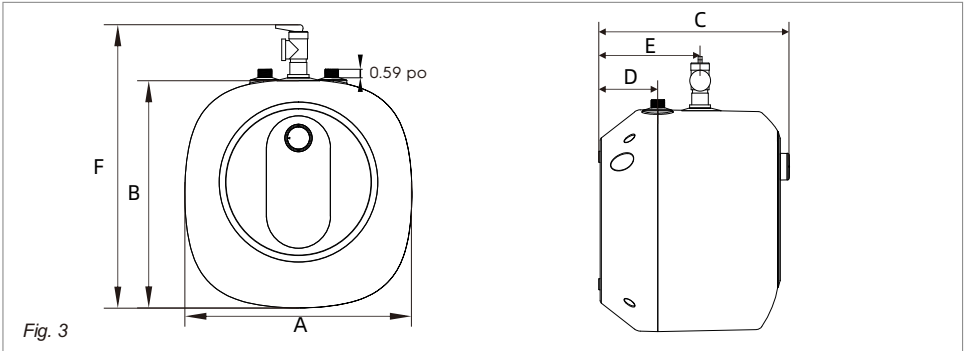


Fig. 2

1. Soupape de sécurité température et pression, $\frac{3}{4}$ NPT mâle
2. Entrée d'eau froide (BLEU) $\frac{1}{2}$ NPT mâle (EES025 et EES040)
Entrée d'eau froide (BLEU) $\frac{3}{4}$ NPT mâle (EES080 équipé d'un convertisseur)
3. Bouton de réglage de la température
4. Soupape de sécurité température et pression, conduite d'évacuation vers le drain
5. Raccordement femelle NPT $\frac{3}{4}$ pour la soupape de sécurité
6. Sortie d'eau chaude (ROUGE) $\frac{1}{2}$ NPT mâle (EES025 et EES040)
Sortie d'eau chaude(ROUGE) $\frac{3}{4}$ NPT mâle (EES080 équipé d'un convertisseur)

2.2 Dimensions



Capacité	Dimensions (Pouces)					
	A	B	C	D	E	F
2.5 gal	13.39	13.39	11.42	3.58	6.14	16.89
4.0 gal	14.96	14.96	12.80	4.13	6.69	18.46
8.0 gal	17.32	17.32	15.35	5.20	8.38	20.82

* installation verticale uniquement

2.3 Données techniques

Modèle (Unités)	EES025	EES040	EES080
Capacité (Gallons)	2.5	4.0	8.0
Tension (VAC)	120 pour chaque modèle	120 pour chaque modèle	120 pour chaque modèle
Puissance à 120 VAC (Watts)	1440	1440	1440
Pression d'eau maximale (psi)	150	150	150
Ampérage(Amps)	12.0 pour chaque modèle	12.0 pour chaque modèle	12.0 pour chaque modèle
Phases	1	1	1
Plage de température(°F)	55-145	55-145	55-145

3 Instructions d'installation

3.1 Montage du chauffe-eau

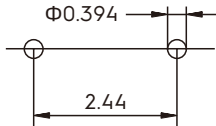
Montage mural



AVIS: Dommages matériels!

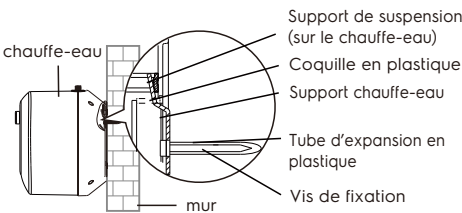
Utilisez des vis adaptées au matériau du mur et au poids du chauffe-eau.

- Après la position d'installation de l'appareil est déterminée, percer deux trous avec un espacement de 2.44 inch et un diamètre de $\Phi 0.394$ inch dans la direction horizontale du mur selon la taille comme indiqué dans la figure suivante, et la profondeur du trou ne doit pas être inférieure à 2.76 inch. Insérez deux tubes d'expansion en plastique dans le trou et fixez la plaque de montage hôte avec des vis de fixation.



Installez le trou de mur

- Aligner les deux trous de suspension à l'arrière de l'appareil avec les deux crochets de la plaque de suspension et tirer vers le bas avec force pour faire accrocher les trous de suspension dans le crochet.



ATTENTION

Le chauffe-eau doit être solidement accroché pour empêcher les blessures corporelles et les dommages matériels de tomber.

Montage au sol

- Le chauffe-eau peut être posé sur le sol. Lorsqu'il est placé sur le sol, des mesures de renforcement supplémentaires sont nécessaires.

3.2 Raccordements des tuyaux

- Raccordez le tuyau d'arrivée d'eau froide au robinet d'arrivée (marqué d'un anneau bleu).
- Assurez-vous qu'une vanne d'isolement est installée sur l'alimentation en eau froide du chauffe-eau.
- Raccordez le tuyau de sortie d'eau chaude au robinet de sortie (marqué d'un anneau rouge).



ATTENTION

Pour réduire le risque de pressions et de températures excessives dans ce chauffe-eau:

- Installez l'équipement de protection de température et de pression requis par les codes locaux, mais pas moins qu'une soupape de sûreté combinée de température et de pression certifiée par un laboratoire d'essai reconnu à l'échelle nationale qui effectue des contrôles périodiques de la production des équipements ou des matériaux répertoriés, comme étant conforme aux exigences des Soupapes de sûreté et des dispositifs d'arrêt automatique du gaz pour l'alimentation en eau chaude.

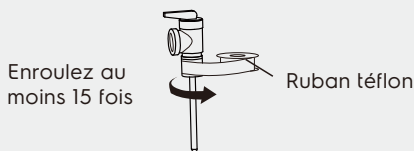
L'arrêt de l'alimentation en gaz pour systèmes à eau chaude, ANSI Z21.22.

La soupape de sûreté de température et pression fournie est marquée d'une pression de réglage maximale (150 psi) qui ne dépasse pas la pression de service maximale marquée du chauffe-eau.

- Installez la soupape dans l'ouverture prévue et marquée à cet effet dans le chauffe-eau.
- Orientez-la ou fournissez un tuyau de façon à ce que toute décharge de la valve sorte à moins de 6 pouces au-dessus, ou à n'importe quelle distance en dessous, du plancher structural, et ne puisse pas entrer en contact avec une partie électrique sous tension. L'ouverture de décharge ne doit en aucun cas être bloquée ou réduite en taille.

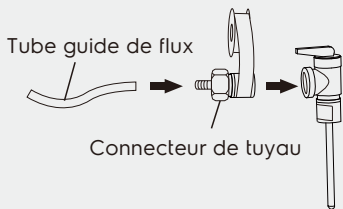
! **AVIS**

Enroulez le ruban de téflon autour de l'ouverture fileté de la soupape de surpression au moins 15 fois (environ 1,2 mètre de longueur) afin d'éviter les fuites d'eau.



! **AVIS**

Enroulez au moins 8 tours (environ 25,2 pouces (65 cm)) de ruban téflon autour de l'ouverture filetée du connecteur de tuyau.



Les codes nationaux de plomberie peuvent exiger un bac de vidange pour l'installation du chauffe-eau. Le fait de ne pas en installer un relève de la seule responsabilité du propriétaire et/ou de l'installateur. Référence UPC (Code de plomberie uniforme), ou IPC (Code international de plomberie).

3.3 Closed system thermal expansion

La décharge périodique de la soupape de sûreté température et pression ou la défaillance du joint d'étanchéité de l'élément peut être due à la dilatation thermique dans un système d'alimentation en eau fermé. Le compteur d'eau du service public peut contenir un clapet de retenue, un dispositif anti-refoulement ou un réducteur de pression d'eau qui crée un système d'eau fermé.

Pendant le cycle de chauffage du chauffe-eau, l'eau se dilate, provoquant une augmentation de la pression à l'intérieur du chauffe-eau.

Dans ces conditions, la soupape de sûreté température et pression peut évacuer de l'eau chaude, ce qui entraîne une perte d'énergie et une accumulation de calcaire sur le siège de la soupape de sûreté.

Pour éviter que cela ne se produise, il existe deux

recommandations :

- Installez un réservoir d'expansion à diaphragme adapté à l'eau potable sur la ligne d'alimentation en eau froide. Un réservoir d'expansion d'au moins 0,5 gallon devrait être utilisé.

Contactez le fournisseur d'eau local ou l'inspecteur en plomberie pour obtenir des informations sur la façon de contrôler cette situation. Ne pas boucher la soupape de sûreté de température et pression.

4 Utilisation

4.1 Démarrage et test



ATTENTION

NE PAS alimenter le chauffe-eau avant qu'il ne soit rempli d'eau.

Pour remplir le chauffe-eau:

- Ouvrir le robinet d'alimentation du chauffe-eau pour le remplir d'eau.
- Ouvrez le(s) robinet(s) d'eau chaude alimenté(s) par le chauffe-eau pour purger l'air du système.
Une fois l'air purgé, fermez le robinet d'eau chaude.
- Vérifiez visuellement qu'il n'y a pas de fuites.

Mise en marche du chauffe-eau

Pour les modèles qui ne sont pas équipés d'un interrupteur:

- Alimentez le chauffe-eau en branchant le cordon d'alimentation.

Si le voyant ne s'allume pas, tournez le bouton de commande dans le sens des aiguilles d'une montre.

Le voyant s'allume jusqu'à ce que la température de l'eau atteigne le réglage du thermostat. Le voyant s'allumera à nouveau chaque fois que la température de l'eau à l'intérieur du réservoir descendra en dessous du réglage du thermostat.

4.2 Réglage de la température

Pour remplir le chauffe-eau:

La température de l'eau chaude est réglée en tournant le bouton M (Fig. 5) situé sur le couvercle avant. La plage de température est comprise entre 55 et 145 °F.

- Tournez le bouton dans le sens des aiguilles d'une montre pour augmenter la température.
- Tournez le bouton dans le sens inverse des aiguilles d'une montre pour diminuer la température.

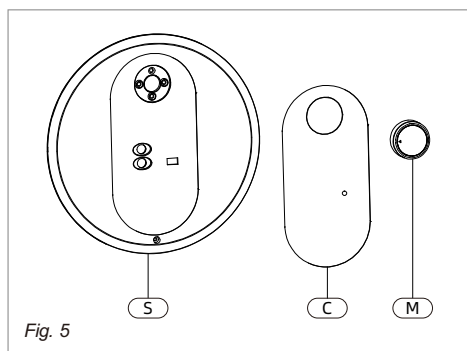


Fig. 5



DANGER

Si la pression de l'eau de l'utilisateur est élevée, la vanne TP peut être dépressurisée à haute pression pendant le chauffage et la température de l'eau après la dépressurisation peut dépasser 145 °F, ce qui peut immédiatement causer de graves brûlures ou la mort par brûlure. Votre attention, s'il vous plaît!

5 Entretien



ATTENTION

N'essayez pas de réparer ce chauffe-eau vous-même. Appelez un technicien pour obtenir de l'aide. Coupez toujours l'alimentation électrique du chauffe-eau avant de procéder à son entretien ou à sa vidange.



AVIS

Pour la plupart de ces opérations, l'eau devra être vidée du chauffe-eau. Pour toutes ces opérations, le cordon d'alimentation doit être débranché et le couvercle avant retiré.

5.1 Retrait du couvercle

- Retirez le joint en caoutchouc qui recouvre la vis Phillips (Fig. 5, [S]), et dévissez la vis Phillips.
- Le couvercle (Fig. 5, [C]) peut maintenant être retiré en le faisant légèrement pivoter. Lors du remontage, procédez dans le sens inverse en veillant à insérer la languette du couvercle dans la fente.

5.2 Vidange du chauffe-eau

Si le chauffe-eau est installé avec des tuyaux flexibles:

- Coupez l'alimentation électrique.
- Retournez le chauffe-eau au-dessus d'un évier pour vider l'eau qu'il contient.

5.3 Inspection de la tige d'anode

Si le chauffe-eau est installé avec des tuyaux flexibles:

Le but de la tige d'anode (Fig. 8, [N]) est de protéger le réservoir contre la corrosion. Il est essentiel que la tige d'anode soit inspectée une fois par an pour déterminer si elle doit être remplacée. Pour accéder à la tige

d'anode, il faut d'abord le retirer. (voir Section 5.4 Retrait de l'élément chauffant). Lors de l'inspection, la surface de la tige d'anode doit être lisse. Si la surface de la tige semble piquée, bosselée, rouillée, ou si la tige est complètement absente, elle doit être remplacée.

Pour accéder à la tige d'anode:

- Retirez l'élément chauffant (voir la Section 5.4 Retirer l'élément chauffant).

Tailles originales des tiges d'anode

- Longueur 4.72" Diamètre 0.787".

Certaines installations peuvent nécessiter un remplacement plus fréquent de la tige

- d'anode applications de recirculation ;
- mauvaise qualité de l'eau ;
- corrosion galvanique/électrolytique
- applications à haut débit

En cas de mauvaise qualité de l'eau, nous vous recommandons de consulter un professionnel local du traitement de l'eau pour connaître les options de traitement de l'eau. Assurez-vous toujours que le chauffe-eau est mis à la terre. Les dommages résultant d'une mauvaise qualité de l'eau ou du non remplacement de la tige d'anode ne sont pas couverts par la garantie du fabricant. Pour toute question supplémentaire, veuillez appeler le service technique.

5.4 Démontage de l'élément chauffant

- Retirez le cordon d'alimentation L de la partie en plastique. (Fig.6)
- À l'aide d'un tournevis cruciforme, dévissez la vis cruciforme 3 en 1 J sur les bornes de l'élément chauffant du fil rouge J et du fil bleu C. (Fig.6)
- Retirez le clou de fil I et appuyez sur le capillaire du thermostat G et le capillaire de la coupure thermique H, et le sortez de l'ouverture du tube borgne. (Fig.6)
- Desserrer les 5 écrous et la rondelle élastique de la plaque de pression de l'élément chauffant A avec le manchon, et sortir la plaque de pression de l'élément chauffant A. (Fig.6)

■ Retirer l'élément chauffant B. (Fig.6)

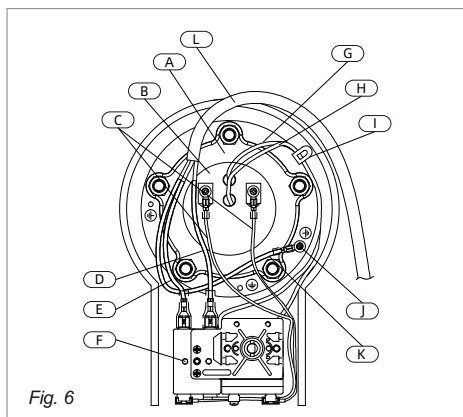


Fig. 6

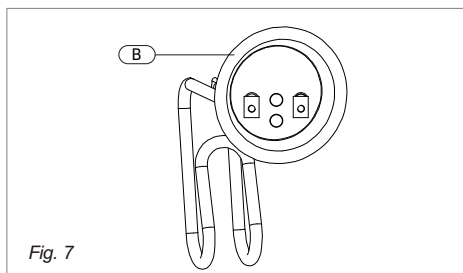


Fig. 7

- A. Plaque de pressage de l'élément chauffant
- B. Élément chauffant
- C. Fil de connexion intérieur
- D. Fil sous tension
- E. Fil nul
- F. Broche de retour
- G. Capillaire du thermostat
- H. Coupure thermique Capillaire
- I. Clou métallique
- J. Vis transversale 3 en 1
- K. Fil de terre
- L. Cordon d'alimentation
- N. Anode en Magnésium

5.5 Détartrage de l'élément chauffant

Les dépôts de calcaire peuvent affecter la capacité de chauffage de l'élément.

Un dépôt important peut même endommager l'élément. L'élément peut être détartré chimiquement ou manuellement :

- Faites tremper l'élément dans du vinaigre blanc ou une autre solution de détartrage.
- Une fois détartré, rincez-le bien à l'eau fraîche, à laquelle vous ajouterez du bicarbonate de soude.
- ou-
- Une fois que l'élément a séché, utilisez une brosse douce (non métallique pour ne pas endommager la gaine en acier inoxydable) sur l'élément.
- Brossez le minéral séché.
- Réinstallez l'élément avec le joint et effectuez les connexions des fils.

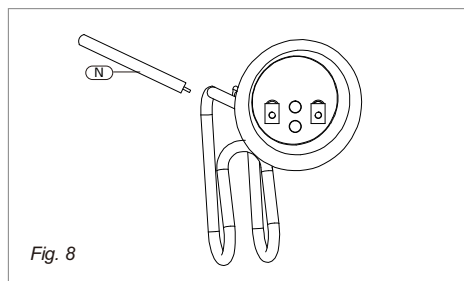


Fig. 8



AVIS

Assurez-vous que le réservoir est rempli d'eau avant de rétablir le courant.

6 Remplacement des pièces

6.1 Remplacement de la tige d'anode

- Coupez l'alimentation électrique et vidangez le chauffe-eau (voir Vidange du chauffe-eau).
- Retirez l'élément chauffant (voir la section précédente).
- Dévissez la tige d'anode du raccord fileté.
- Retirez et remplacez la tige d'anode (Fig. 8, [N]).
- Réinstallez l'élément chauffant.
- Remplissez le réservoir d'eau avant de rétablir le courant.

6.2 Changement de l'élément chauffant

- Coupez l'alimentation électrique et vidangez le chauffe-eau (voir la section Vidange du Chauffe-eau).
- Retirez l'élément chauffant (voir la section Retirer l'Élément Chauffant).
- Installez le nouvel élément avec le joint, en vous assurant que le joint et l'élément sont correctement positionnés. Serrez les écrous de retenue et effectuez les connexions des fils.
- Veillez à ce que la sonde de température du thermostat soit insérée dans le puits situé sur l'ensemble de l'élément et fixée à l'aide du passe-fil en caoutchouc.
- Remplissez le réservoir d'eau avant de rétablir le courant.

6.3 Changement du thermostat

- Coupez l'alimentation électrique.
- Débranchez les deux connecteurs de fils du thermostat.
- Desserrez les deux vis en laiton sur la droite du thermostat et retirez les fils.
- Retirez le capteur de température du thermostat du puits situé dans l'assemblage de l'élément.
- Dévissez et retirez les deux vis Phillips qui maintiennent le thermostat sur le réservoir.
- Installez le nouveau thermostat et refixez le câblage et les vis.
- Assurez-vous que le capteur de température du thermostat est inséré dans le puits situé sur l'assemblage de l'élément et fixé avec le joint en caoutchouc.

7 Dépannage

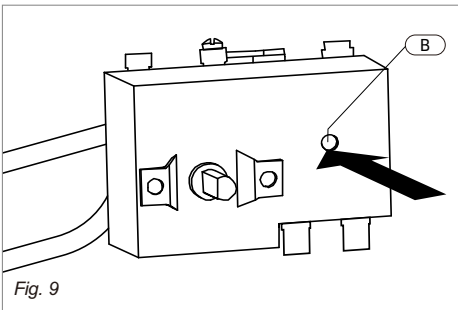
7.1 évaluation et dépannage des problèmes

Problème	Solution
L'eau ne devient pas chaude.	Assurez-vous que l'alimentation électrique est sous tension et fonctionne.
	Si le voyant ne s'allume pas, vérifiez que le bouton de réinitialisation de l'interrupteur de haute température est appuyé; suivez les étapes de la section 7.2.
	Si le témoin lumineux fonctionne correctement mais que la température ne devient pas chaude au robinet, vérifiez s'il y a un croisement de plomberie ; coupez l'alimentation en eau froide du chauffe-eau et ouvrez le robinet d'eau chaude. LI ne devrait pas y avoir d'écoulement d'eau. Si l'eau continue de couler, cela signifie qu'il y a un croisement qui affecte la température et qui doit être corrigé.
	Appelez un technicien de service qualifié pour tester la résistance de l'élément chauffant (8-10 ohms). L'élément chauffant doit être remplacé si les lectures sont en dehors de ces valeurs.
La lumière ne s'allume pas.	Si le voyant ne s'allume pas, mais que l'eau devient chaude, vérifiez si l'ampoule est défectueuse.
	Vérifiez le bouton de réinitialisation de l'interrupteur de haute température; suivez les étapes de la section 7.2;
Eau brune.	Une eau brune ou rouillée indique une tige d'anode "usée" et une possible détérioration du corps du réservoir. Inspectez le réservoir pour détecter les fuites. Vérifiez la tige d'anode (voir la section sur le remplacement de la tige d'anode).
Fuite.	Vérifiez les raccords d'eau et le raccord T & P sur le dessus du réservoir.
	Retirez le couvercle avant et inspectez le joint de l'élément chauffant.
	Si le réservoir fuit, appelez Fogatti Water Heating pour une demande de garantie si la période de garantie n'est pas terminée.
	Vérifiez la tige d'anode (voir la section sur le remplacement de la tige d'anode).

7.2 Réinitialisation de l'interrupteur de haute température

De temps en temps, le dispositif d'arrêt de la limite de température élevée peut déclencher la réinitialisation. Cela se produit lorsque la température de l'eau dépasse 190 °F. Le dispositif d'arrêt peut également se déclencher à la suite d'une panne de courant ou d'un orage électrique. Pour atteindre le thermostat :

- Débranchez le cordon d'alimentation et retirez le couvercle d'installation.
- Appuyez fermement sur le bouton de réinitialisation (Fig. 9, [B]) avec la pointe d'un stylo à bille ou un objet similaire.



NOTICE

Un réglage plus bas est plus économique et réduit le risque de brûlure.

- Remettez la plaque de recouvrement en place.



CAUTION

Appelez un technicien si l'interrupteur de haute température doit être réinitialisé fréquemment.

Un clic indique que la réinitialisation a été déclenchée.

- Rebranchez l'alimentation

IMPORTANT :

- Vérifiez le fonctionnement du thermostat: Tournez le cadran de température de haut en bas.
- Si le voyant rouge ne s'éteint pas sur le réglage bas: Couper l'alimentation électrique et appeler un technicien pour remplacer le thermostat.
- Si le voyant rouge s'éteint, le thermostat fonctionne bien: Placez le cadran au réglage désiré.

8 Schéma des composants intérieurs

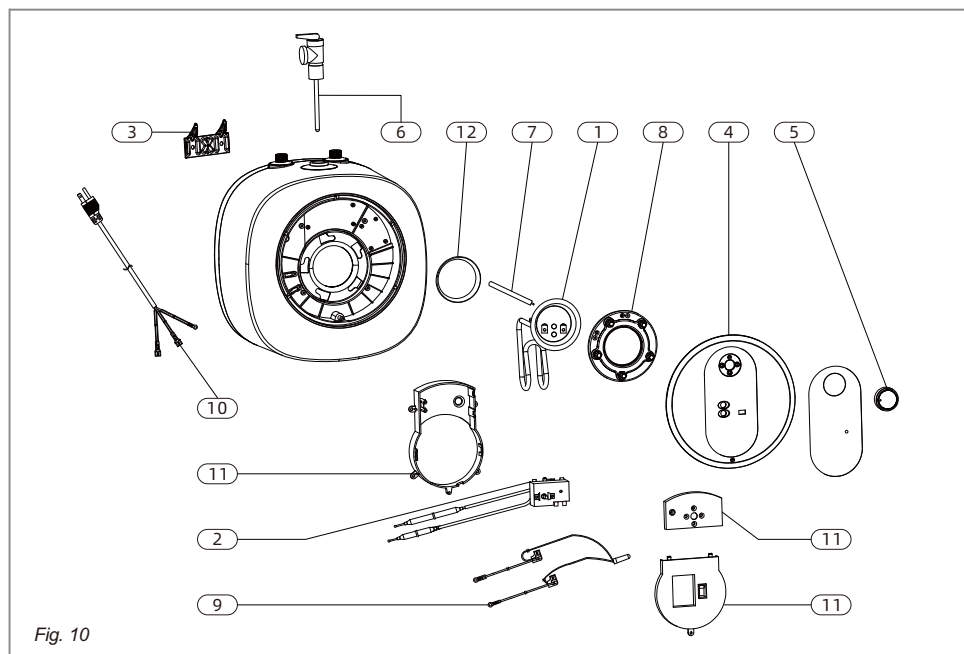


Fig. 10

Partie	Description
1	Element chauffant 1440W
2	Thermostat
3	Support de suspension du support du chauffe-eau
4	Couvercle en plastique
5	Bouton
6	Vanne T&P ¾ (jointe dans l'emballage du produit)
7	Anode de magnésium D: 16 mm, L: 160 mm
8	Plaque de Pressage de l'élément Chauffant
9	Lampe
10	Câble d'alimentation
11	Composant ignifuge
12	Joint d'étanchéité



Service email: service@electrolux-water.com
Telephone number: 1-539-252-8865

Electrolux is a pending or registered trademark from AB Electrolux (publ)
used under license by Tecasa (Zhongshan) Trade Development Co., Ltd.