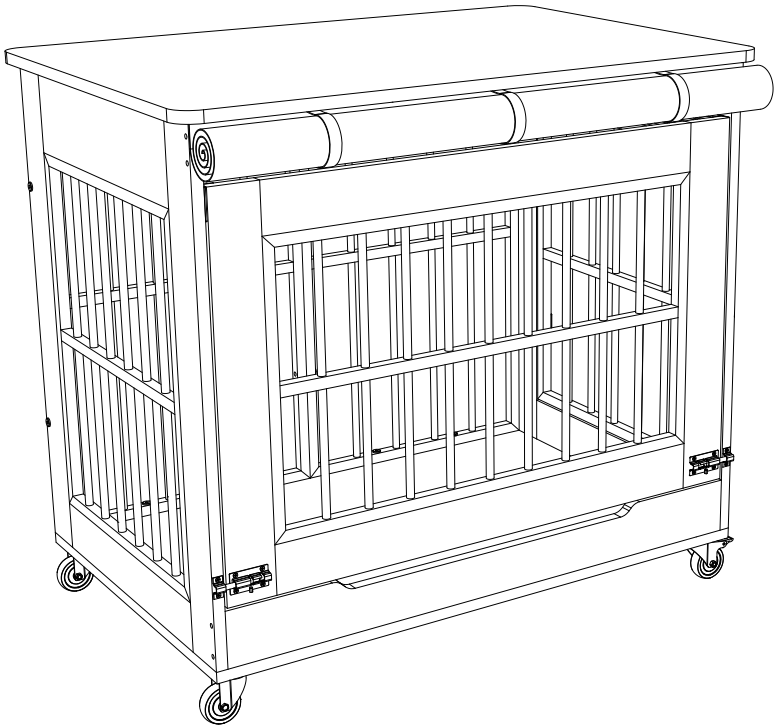


DOG CAGE

ASSEMBLY INSTRUCTIONS



If you have any questions, feel free to email us at zzwservice@gmail.com.

THANK YOU

Register and Get the Full Benefit

It's our way of saying thank you.

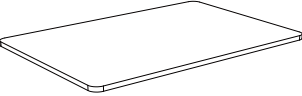
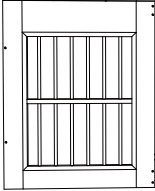


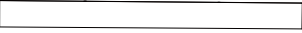
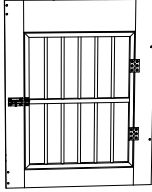
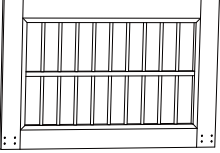

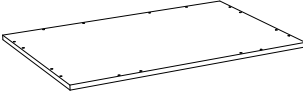
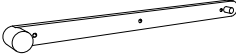

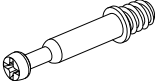
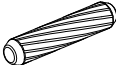
Register your product to enjoy a number of benefits:

- (1) 24/7 quicker service and product support
- (2) 1-year warranty extension
- (3) Chance to test new products for free
- (4) Get specific discount on shop items


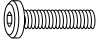
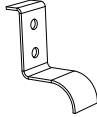
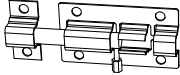
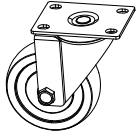
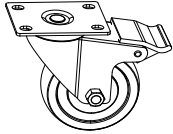



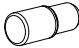
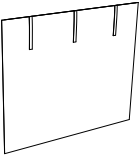
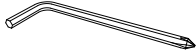

Register Way: Send " your name + order ID " to
zzwservice@gmail.com

Assembly Instruction

Parts List

A 	B 	C 	C1 
1PC	1PC	1PC	1PC
D 	E 	F 	
1PC	1PC	1PC	
G 	H 	I 	
1PC	1PC	2PCS	
1 	2 	3 	
6PCS	6PCS	12PCS	

Assembly Instruction

<p>4</p> 	<p>5</p> 	<p>6</p> 	
<p>14PCS</p>	<p>14PCS</p>	<p>2PCS</p>	
<p>7</p> 	<p>8</p> 	<p>9</p> 	
<p>2PCS</p>	<p>2PCS</p>	<p>2PCS</p>	
<p>10</p> 	<p>11</p> 	<p>12</p> 	<p>13</p> 
<p>16PCS</p>	<p>12PCS</p>	<p>10PCS</p>	<p>2PCS</p>
<p>14</p> 	<p>15</p> 	<p>16</p> 	
<p>1PC</p>	<p>1PC</p>	<p>1PC</p>	

Please note: Please check carefully if there are any missing parts before installation. If there are any missing parts, please place all the parts and take pictures then tell us the missing part number. We will reply you as soon as possible. zzwservice@gmail.com

Assembly Instruction

step1

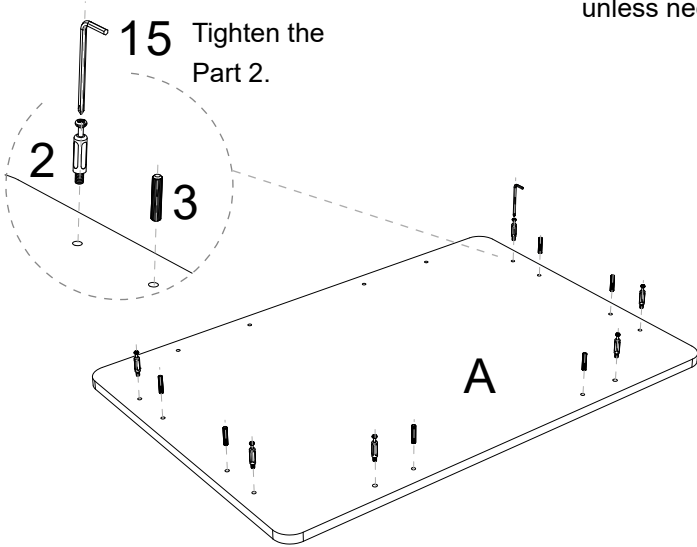
Avoid secondary installation unless necessary.

A*1

2*6

3*6

15*1



step2

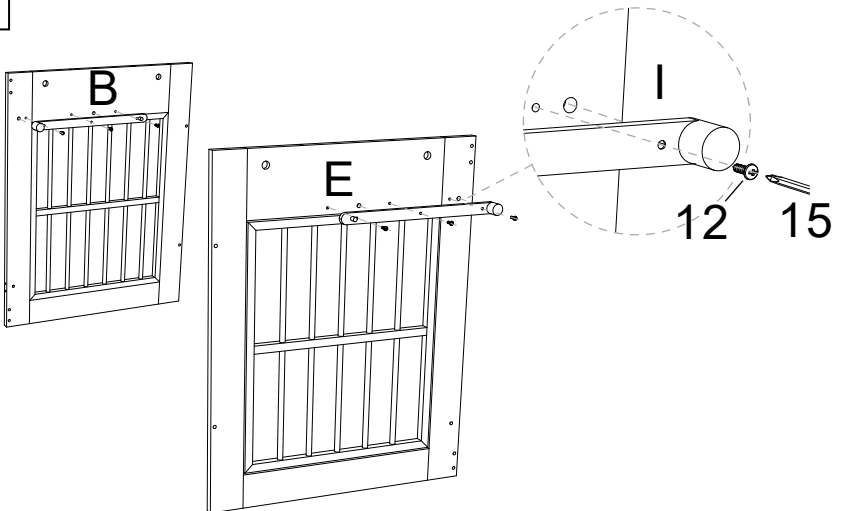
B*1

E*1

I*2

12*6

15*1



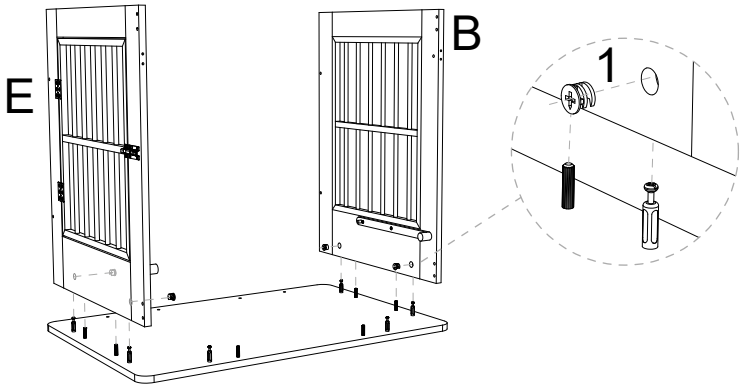
Assembly Instruction

step3

B*1

E*1

1*4



First install Part B/E, then install Part 1.

Do not tighten Part 1 for now.

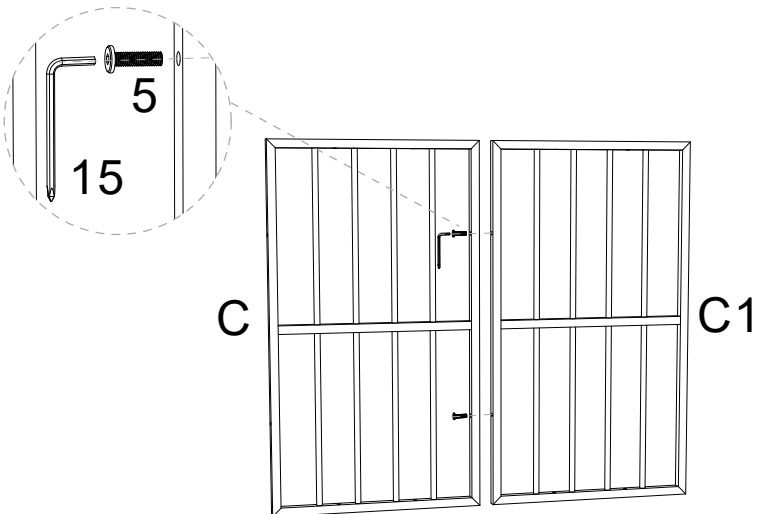
step4

C*1

C1*1

5*2

15*1

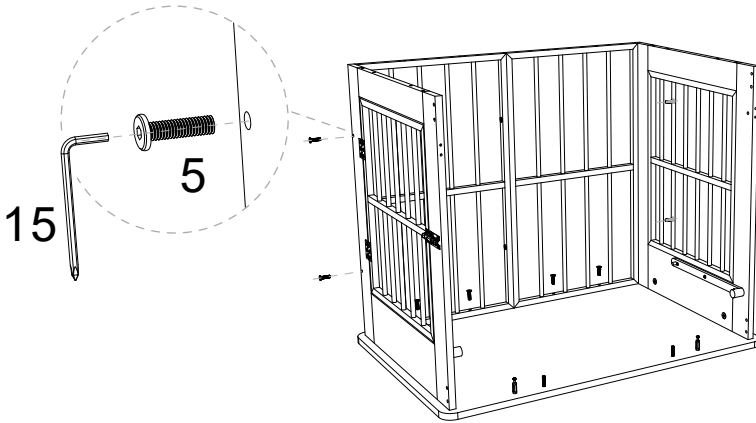


Assembly Instruction

step5

5*8

15*1



step6

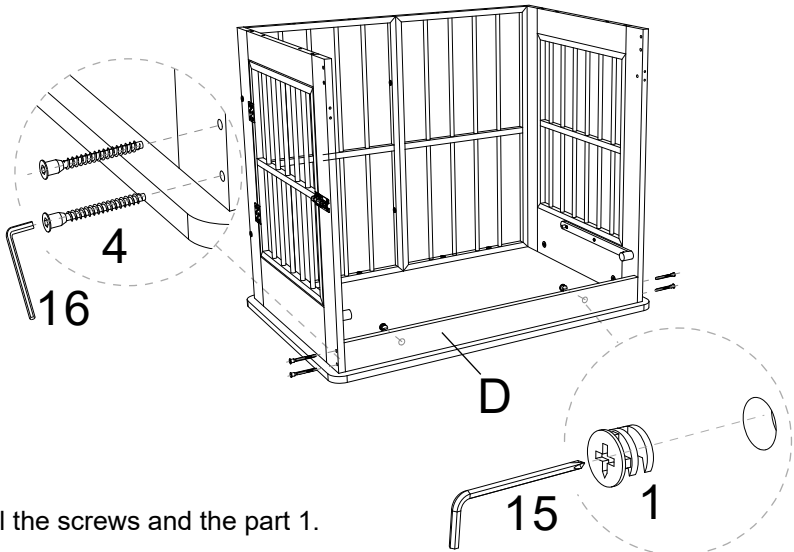
D*1

1*2

4*4

15*1

16*1



Tighten all the screws and the part 1.

Assembly Instruction

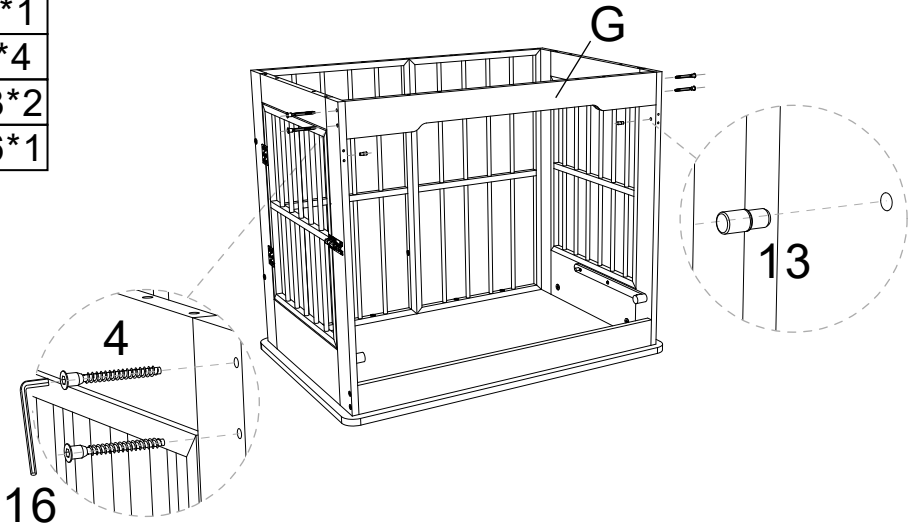
step7

G*1

4*4

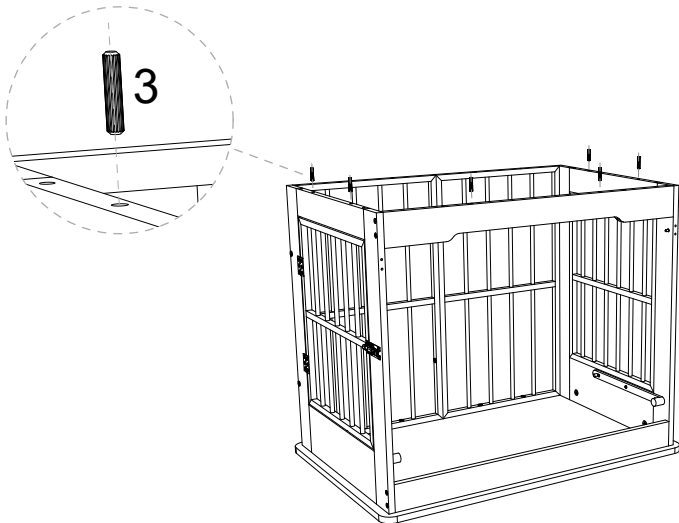
13*2

16*1



step8

3*6



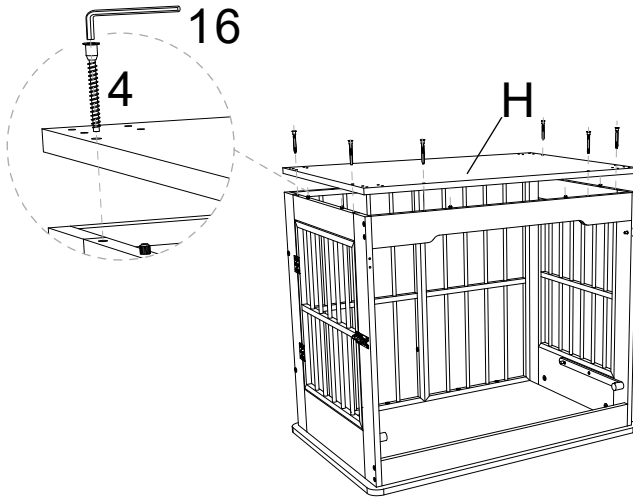
Assembly Instruction

step9

H*1

4*6

16*1

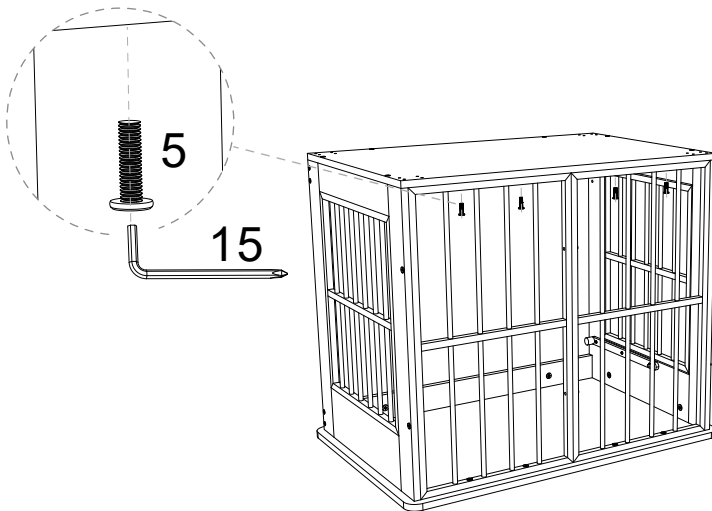


The guide holes for installing wheels should face upwards.

step10

5*4

15*1



Assembly Instruction

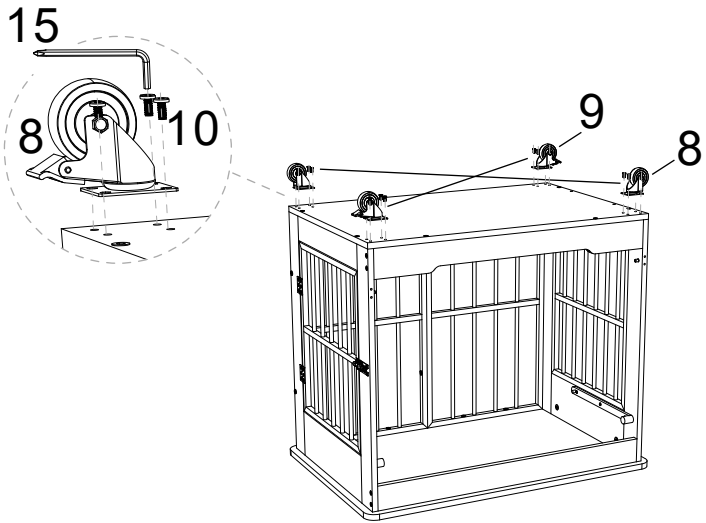
step11

8*2

9*2

10*16

15*1



Wheels equipped with locking mechanisms are installed in a diagonal configuration.

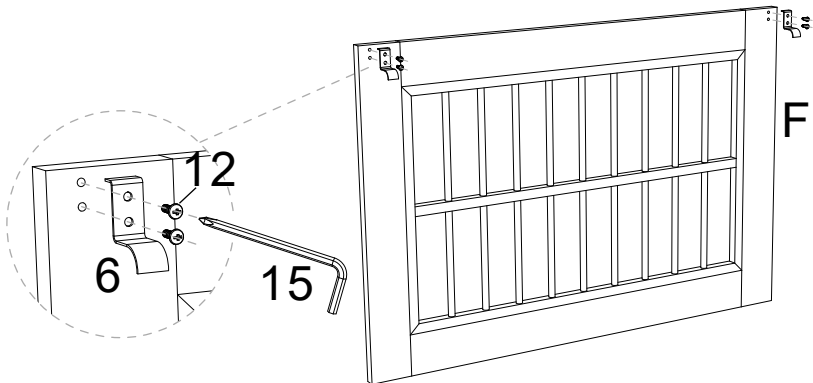
step12

F*1

6*2

12*4

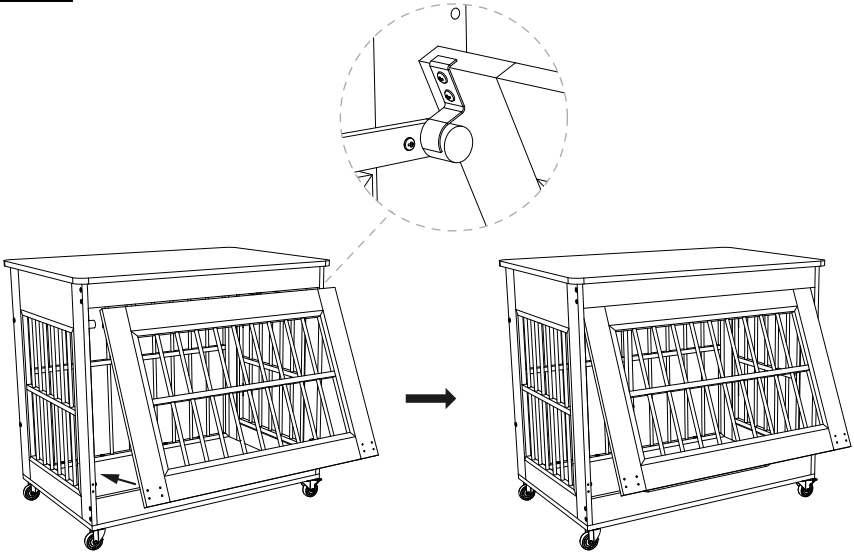
15*1



The protruding baffle of the lock should be facing upwards.

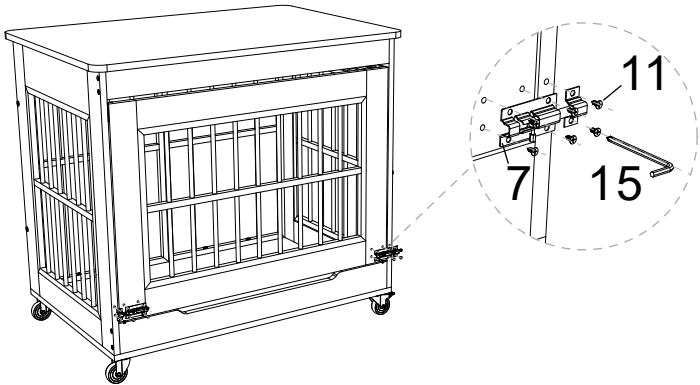
Assembly Instruction

step13



step14

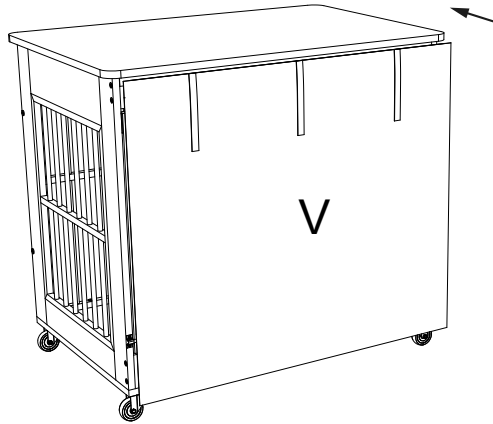
7*2
11*12
15*1



Assembly Instruction

step15

V*1



step16

