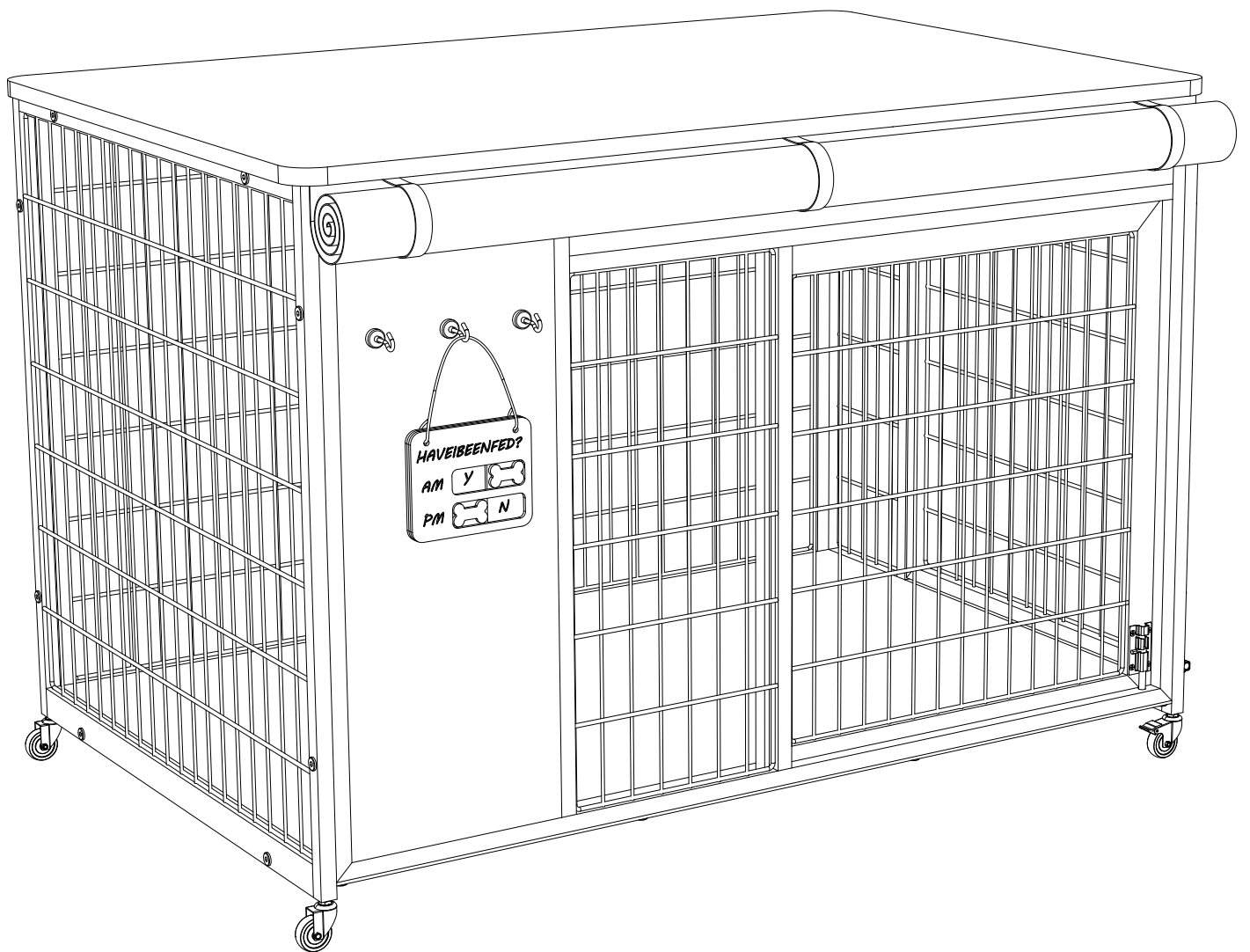


# DOG CAGE

## ASSEMBLY INSTRUCTIONS



If you have any questions, feel free to email us at [zzwservice@gmail.com](mailto:zzwservice@gmail.com).

# THANK YOU

## Register and Get the Full Benefit

It's our way of saying thank you.

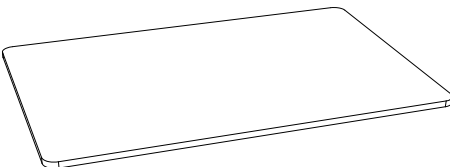


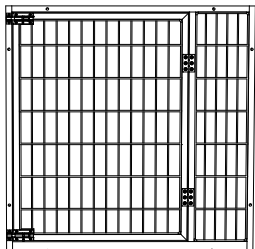
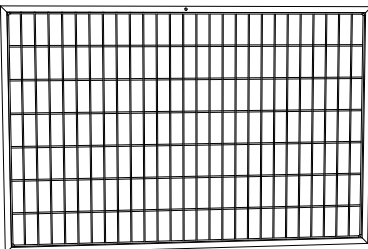
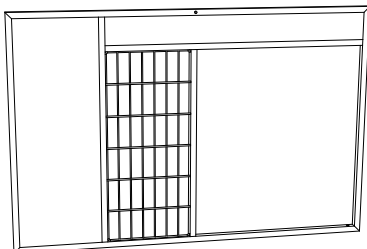
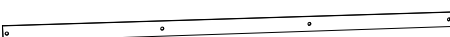
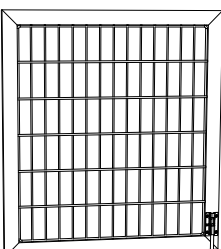
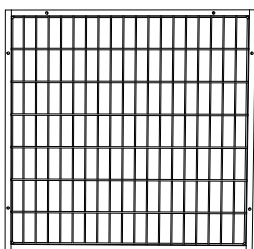
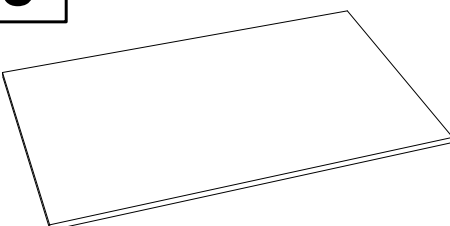


Register your product to enjoy a number of benefits:

- (1) 24/7 quicker service and product support
- (2) 1-year warranty extension
- (3) Chance to test new products for free
- (4) Get specific discount on shop items

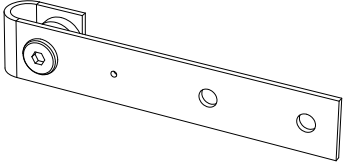
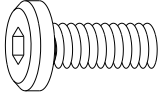
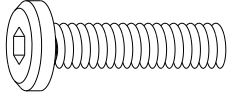
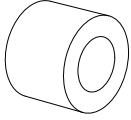
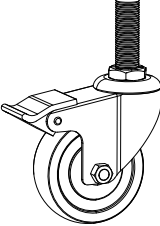
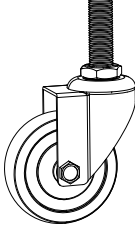

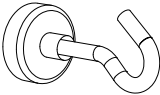
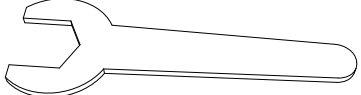
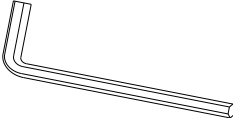
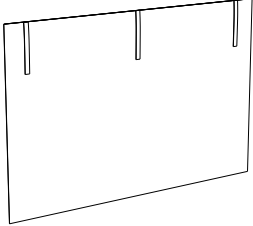
Register Way: Send " your name + order ID " to  
[zzwservice@gmail.com](mailto:zzwservice@gmail.com)

# Assembly Instruction

## Parts List

<b>A</b> 	<b>B</b> 	<b>C</b> 
1PC	1PC	2PCS
<b>D</b> 	<b>E</b> 	<b>F</b> 
1PC	1PC	1PC
<b>G</b> 	<b>H</b> 	<b>I</b> 
1PC	1PC	1PC
<b>J</b> 	<b>K</b> 	<b>L</b> 
1PC	2PCS	1PC

# Assembly Instruction

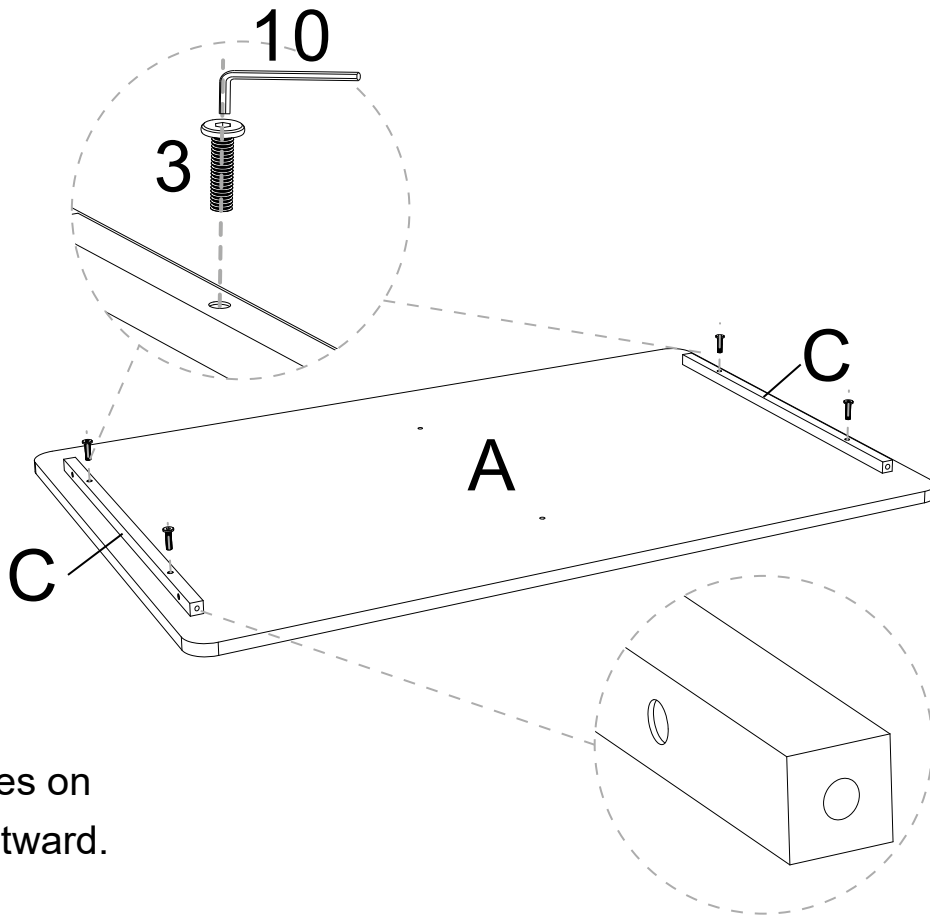
1		2		3	
2PCS		8PCS		32PCS	
4		5		6	
4PCS		2PCS		2PCS	
7		8		9	
1PC		3PCS		1PC	
10		11			
1PC		1PC			

Please note: Please check carefully if there are any missing parts before installation. If there are any missing parts, please place all the parts and take pictures then tell us the missing part number. We will reply you as soon as possible. [zzwservice@gmail.com](mailto:zzwservice@gmail.com)

# Assembly Instruction

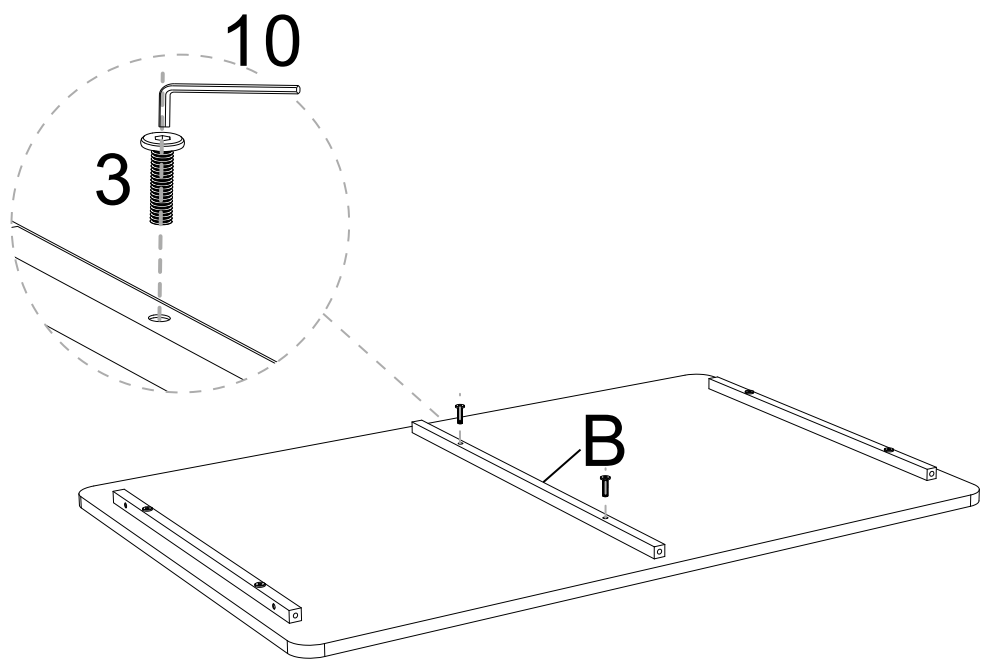
## step1

A\*1  
C\*2  
3\*4  
10\*1



## step2

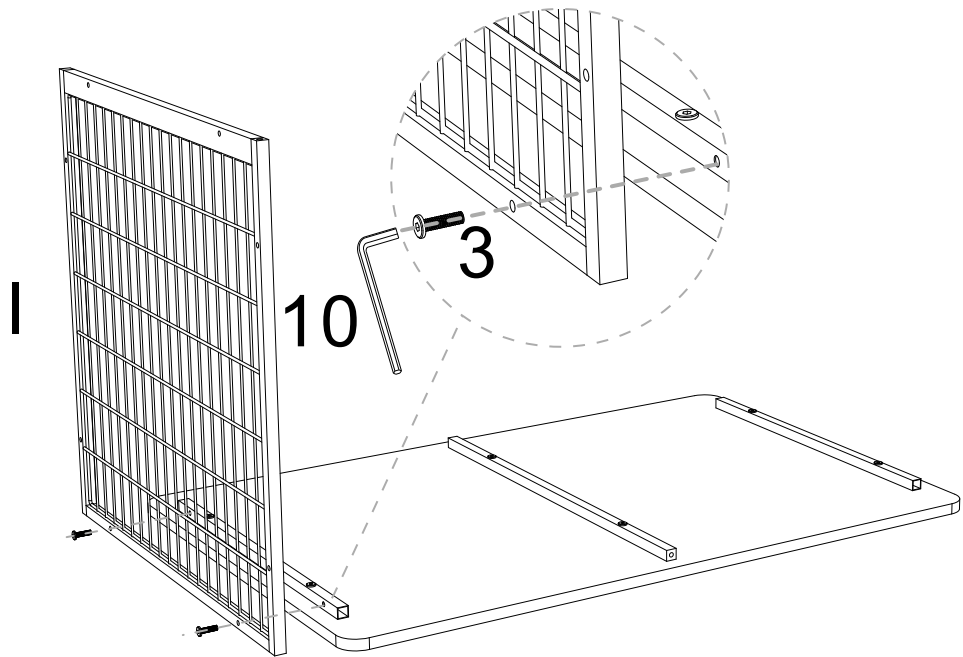
B\*1  
3\*2  
10\*1



# Assembly Instruction

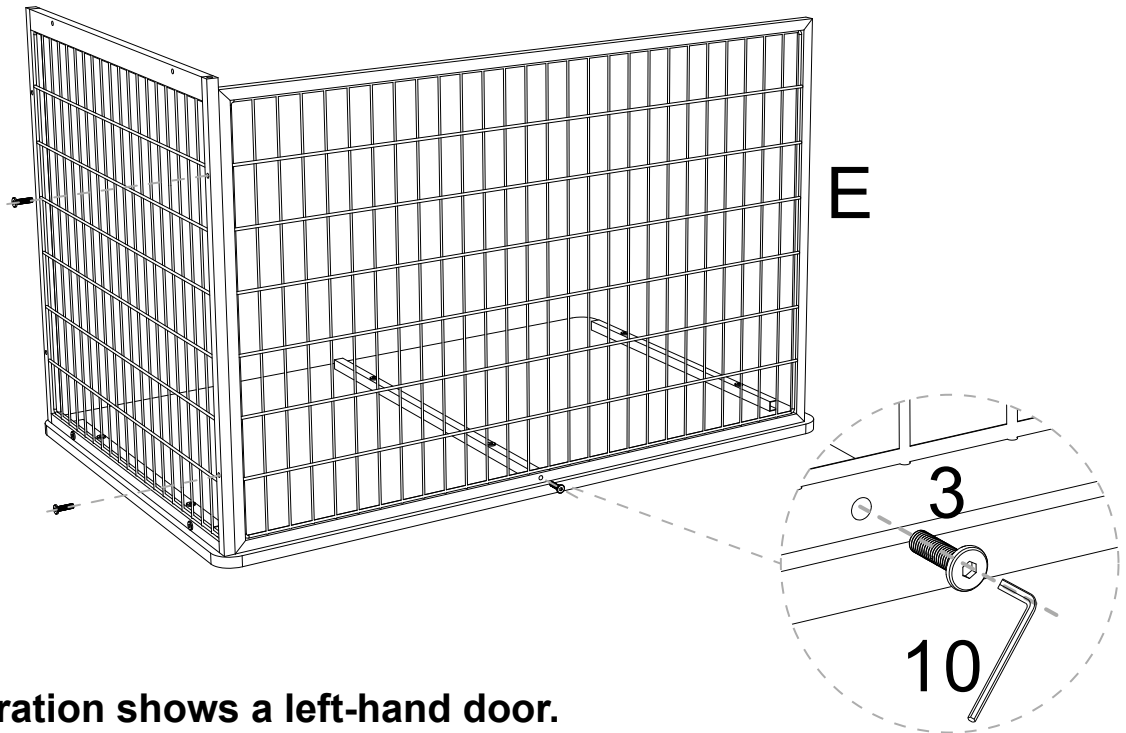
## step3

- 1\*1
- 3\*2
- 10\*1



## step4

- E\*1
- 3\*3
- 10\*1

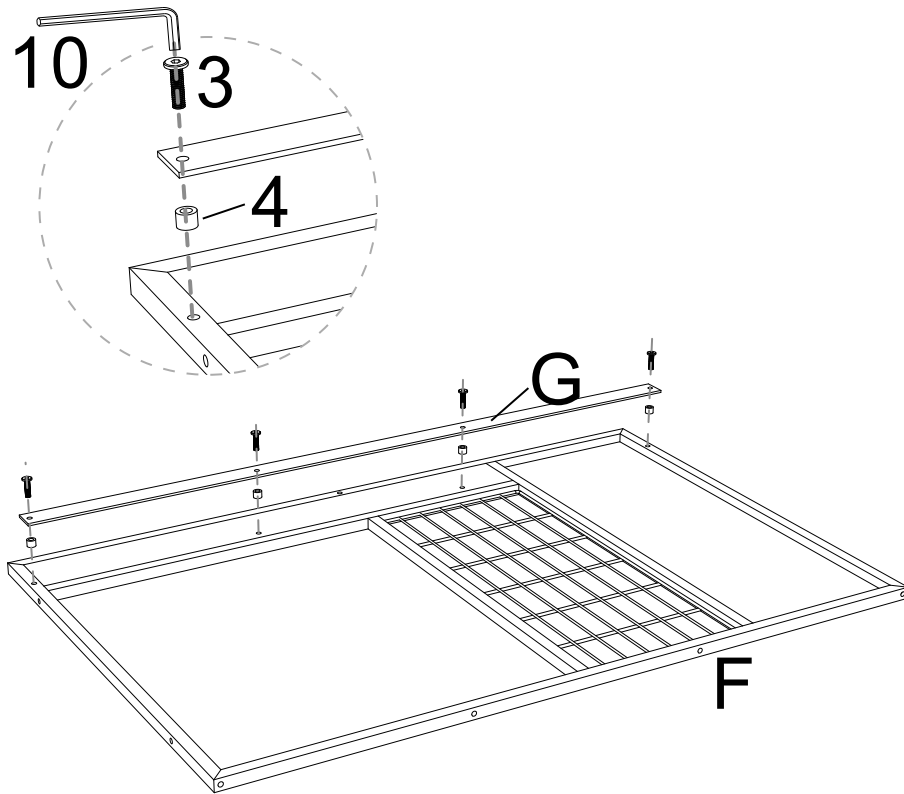


The illustration shows a left-hand door.  
If Part I is installed on the opposite side, it will be a right-hand door.

# Assembly Instruction

## step5

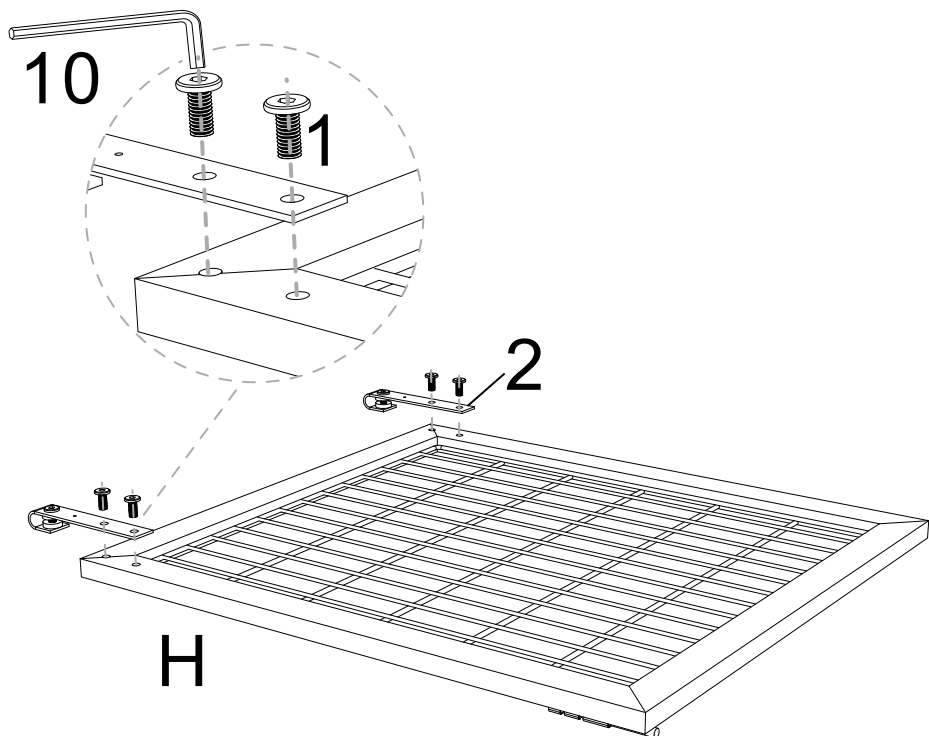
- F\*1
- G\*1
- 3\*4
- 4\*4
- 10\*1



Please note the front and back sides of Part F.

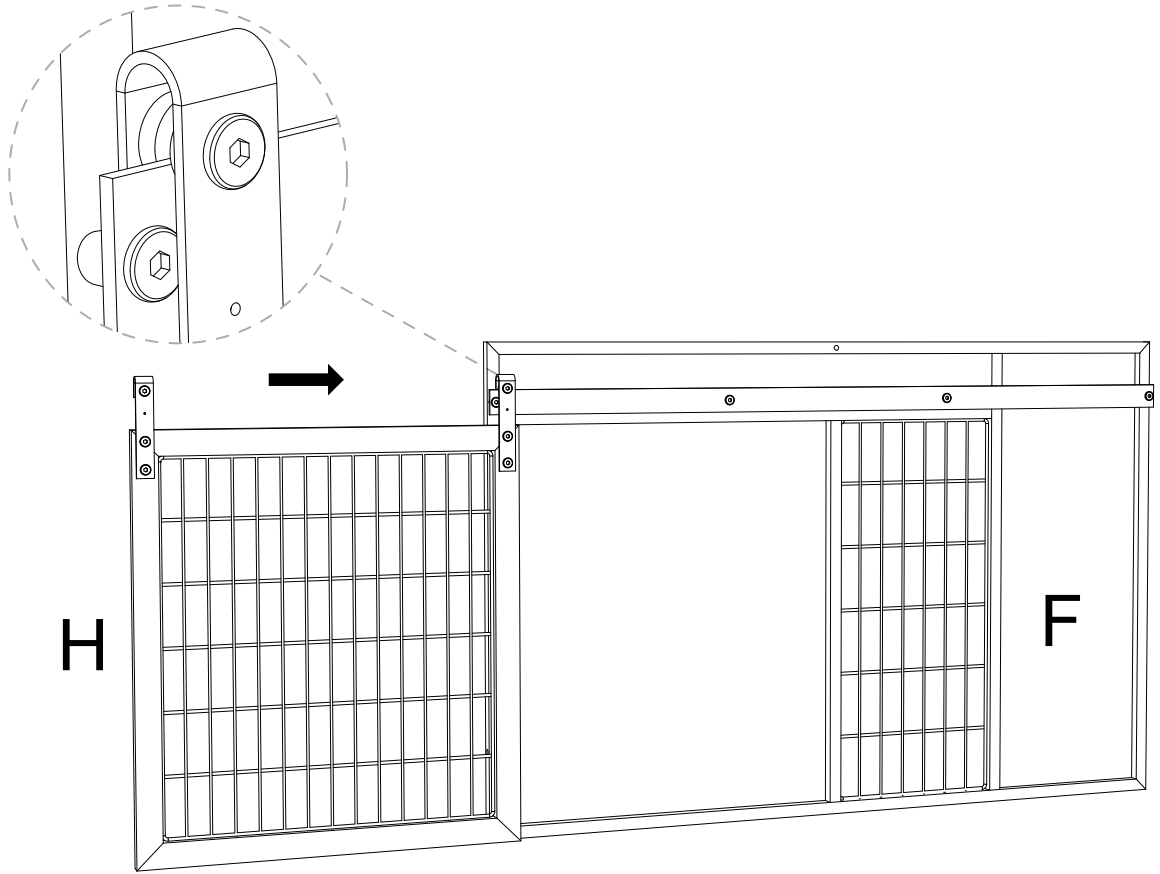
## step6

- H\*1
- 1\*2
- 2\*4
- 10\*1

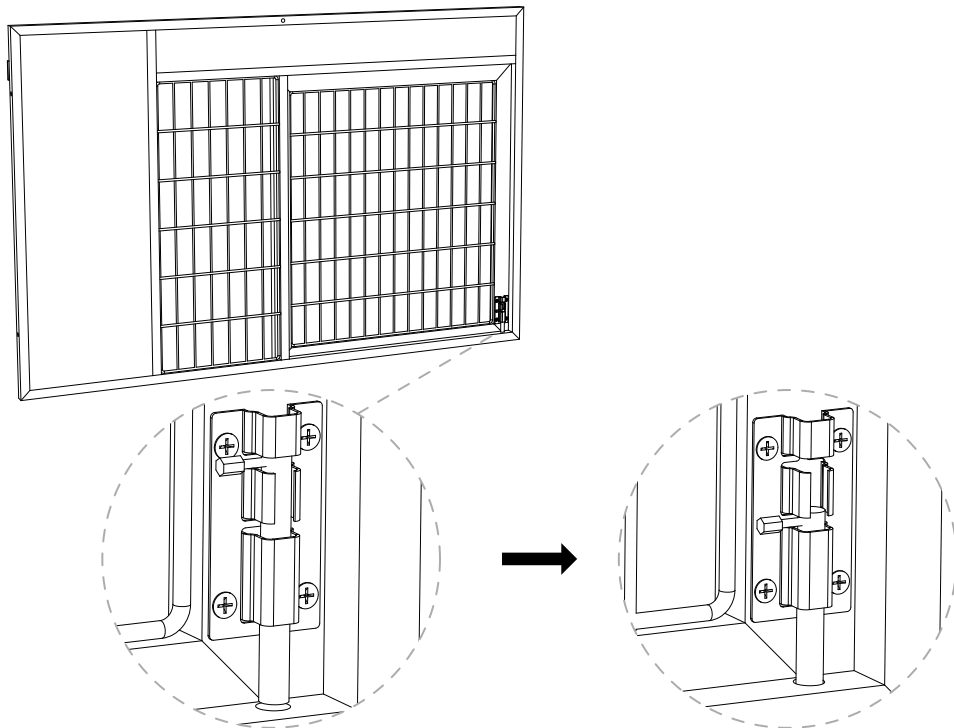


# Assembly Instruction

**step7**



**step8**

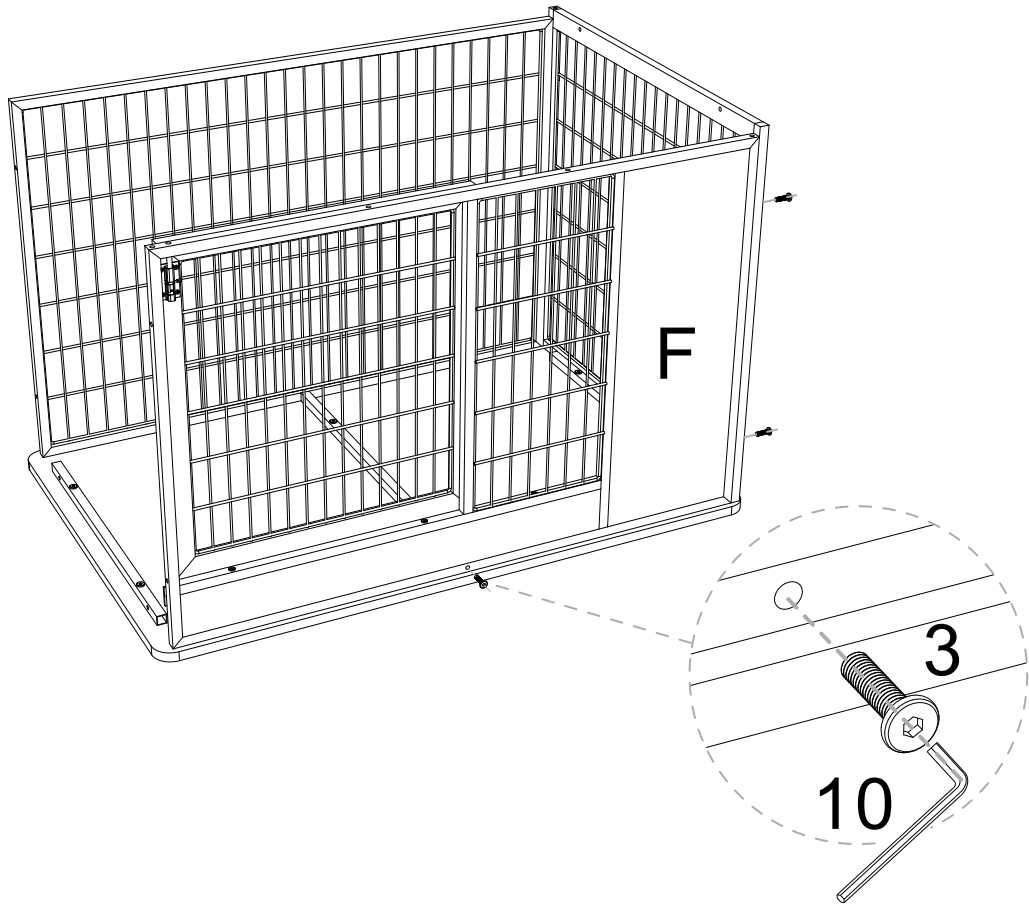


Lock the door lock to make installation easier.

# Assembly Instruction

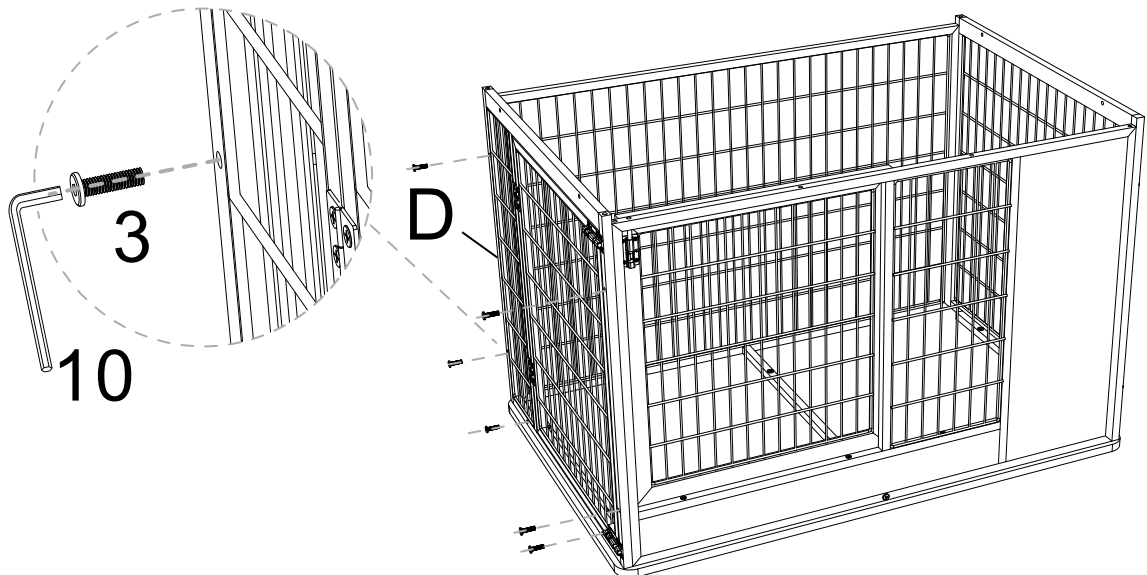
## step9

- F\*1
- 3\*3
- 10\*1



## step10

- D\*1
- 3\*6
- 10\*1



# Assembly Instruction

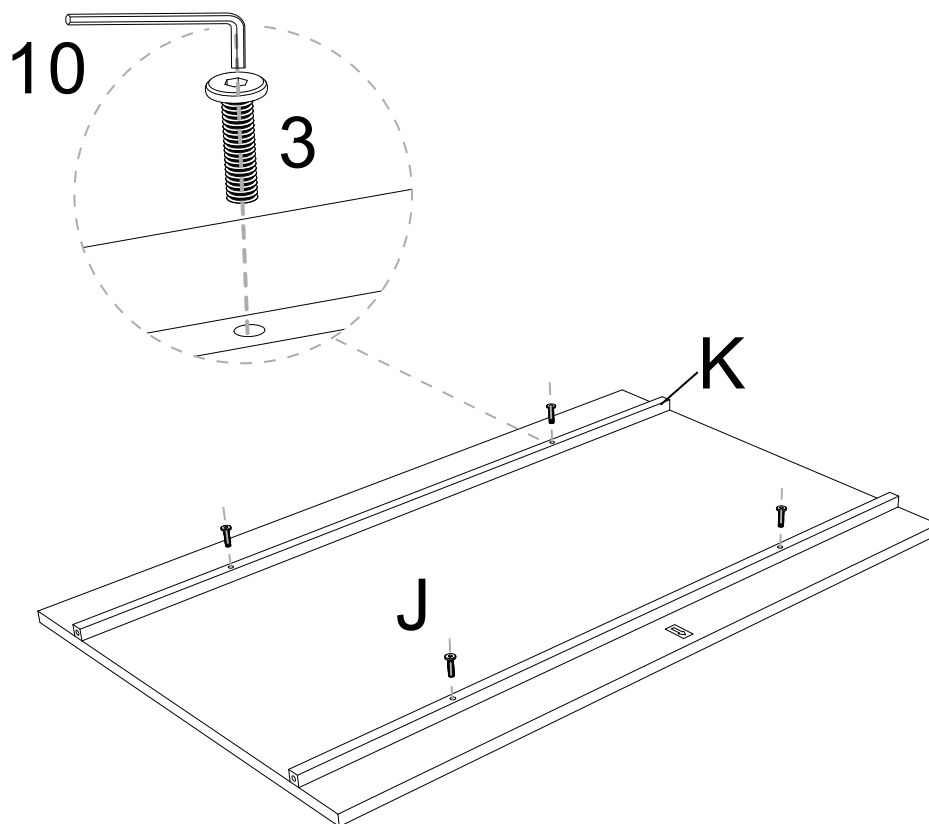
## step11

J\*1

K\*2

3\*4

10\*1

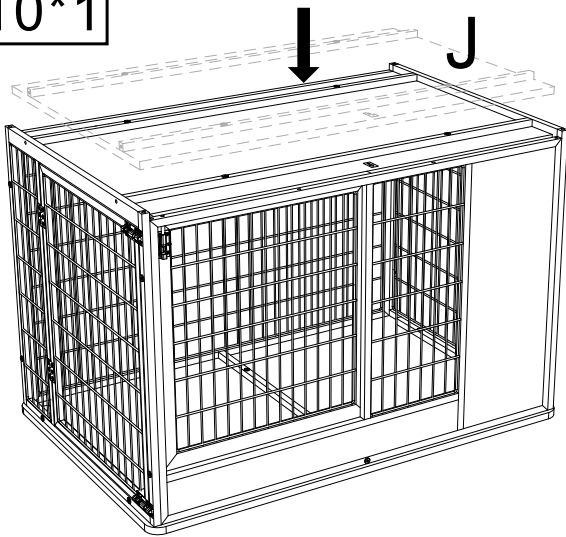


# Assembly Instruction

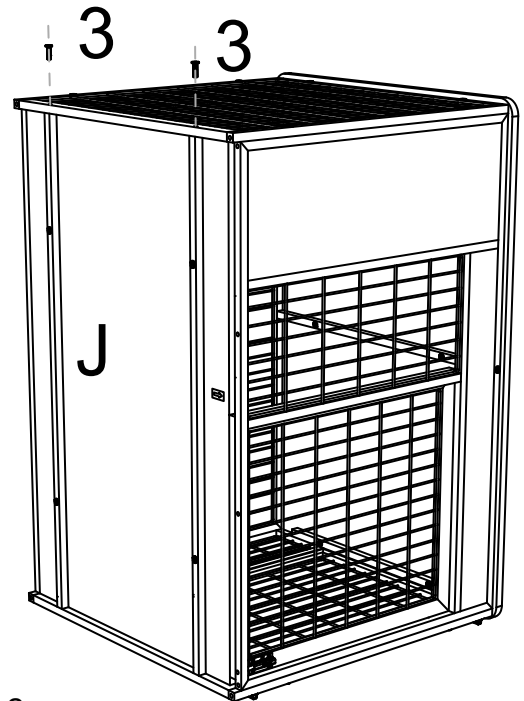
## step12

3\*4

10\*1



Step1:  
Install with the arrow on Part J  
pointing towards the door frame.



Step2:  
Upright the dog cage and install  
the two screws at the top.



Step3:  
Turn the dog cage upside down, taking  
care to hold the base plate with your hands



Step4:  
Hold the base plate with your hands and i  
ninstall the remaining two screws.

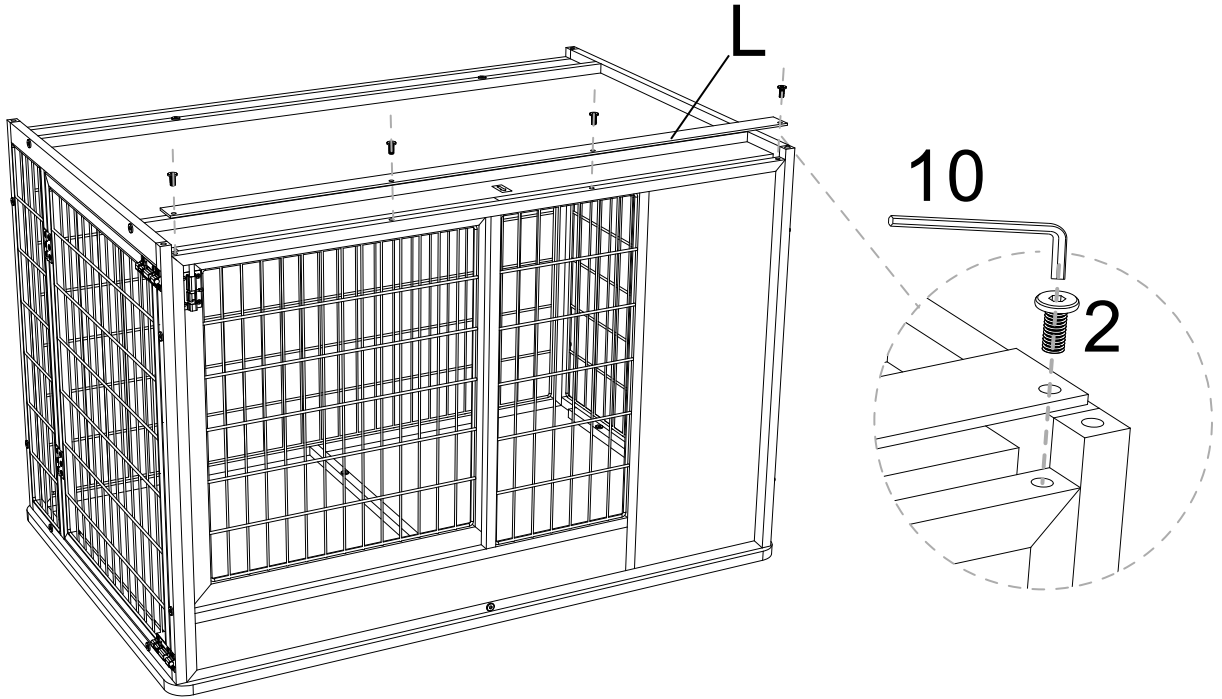
# Assembly Instruction

## step13

L\*1

2\*4

10\*1

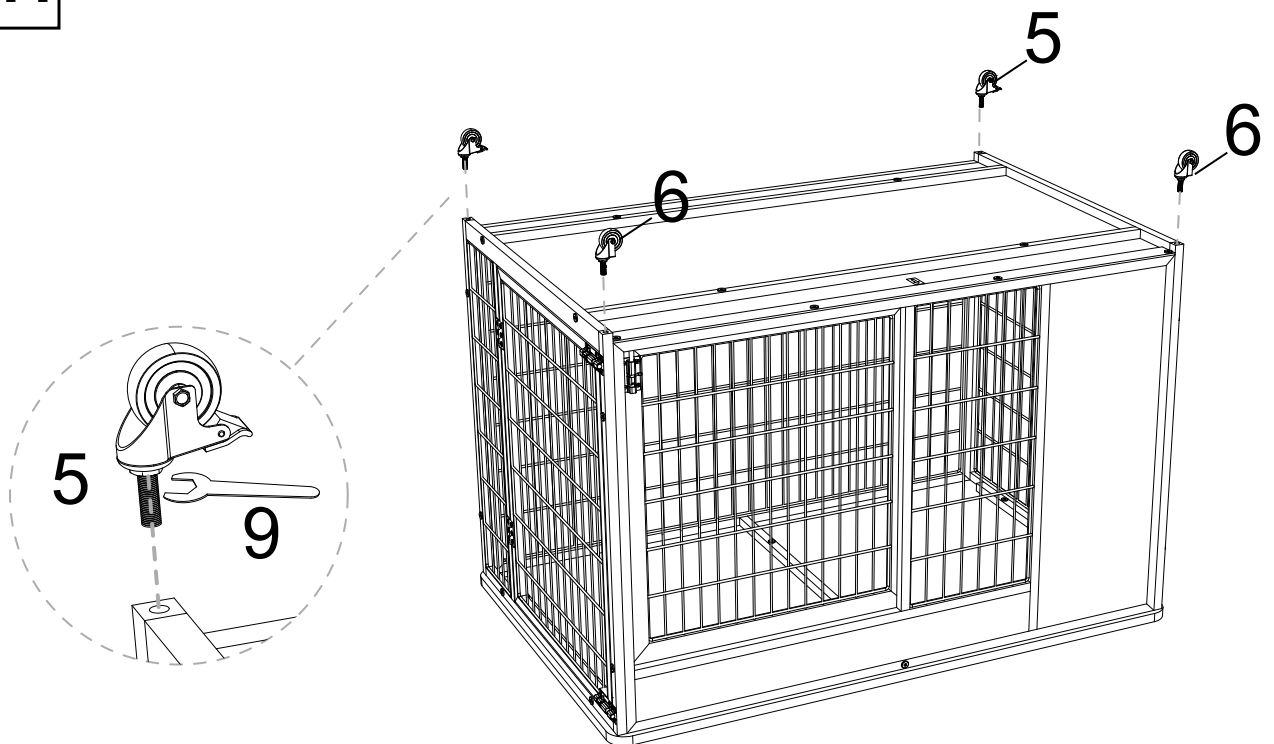


## step14

5\*2

6\*2

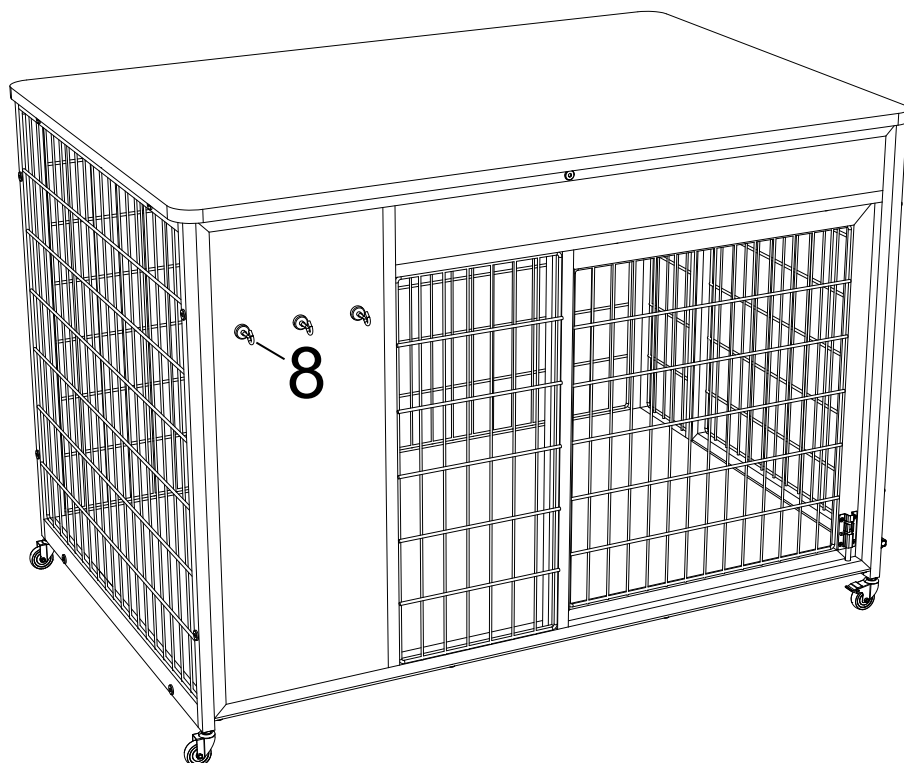
9\*1



# Assembly Instruction

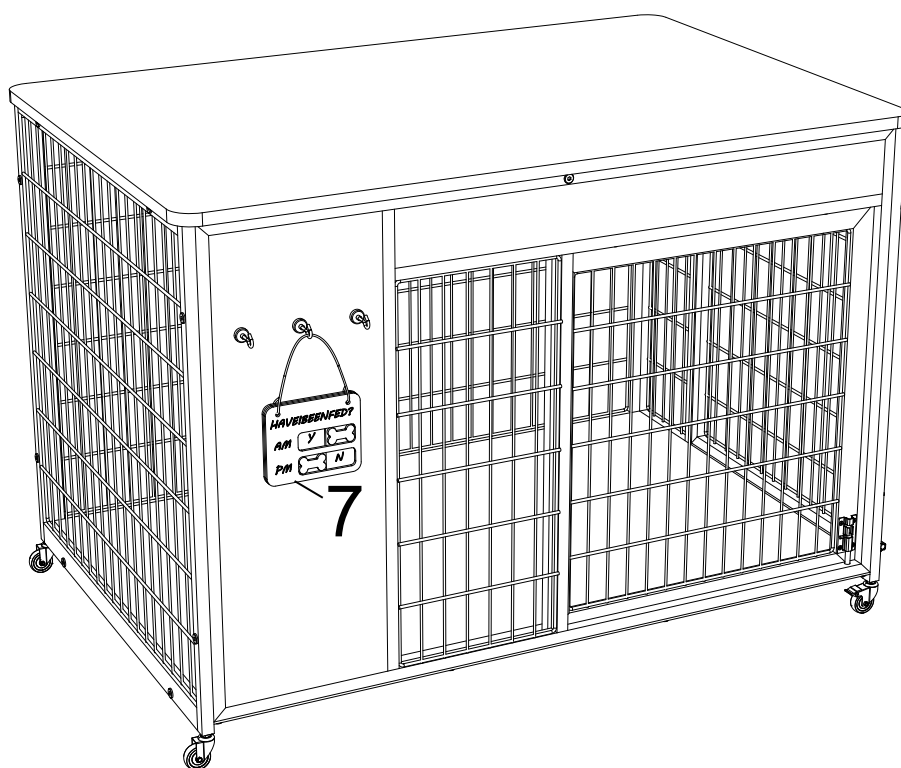
**step15**

8\*3



**step16**

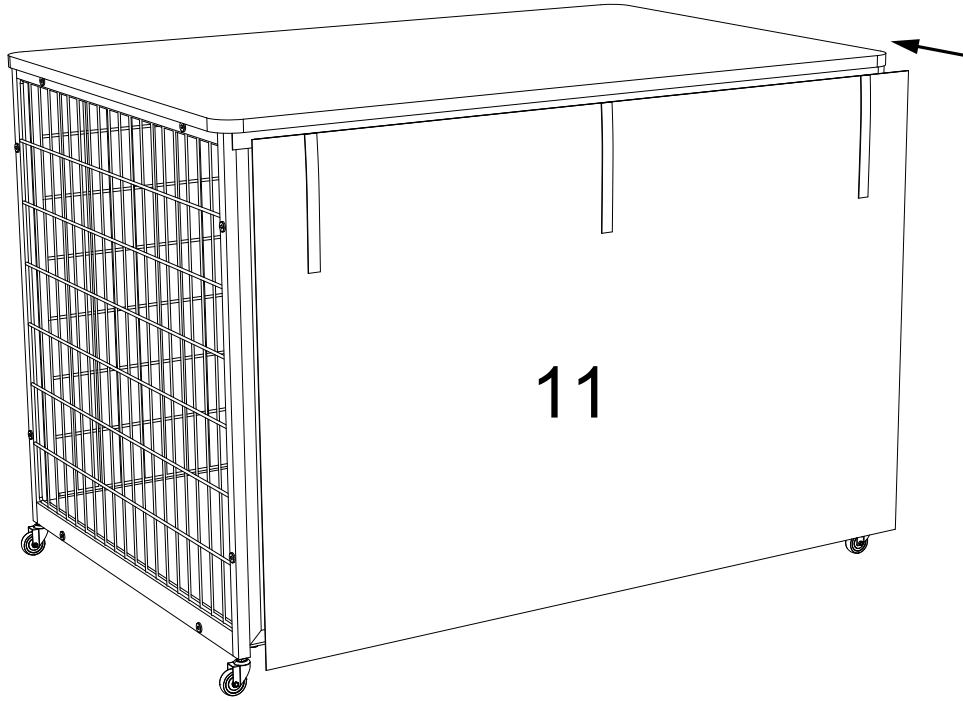
7\*1



# Assembly Instruction

**step17**

11\*1



**step18**

