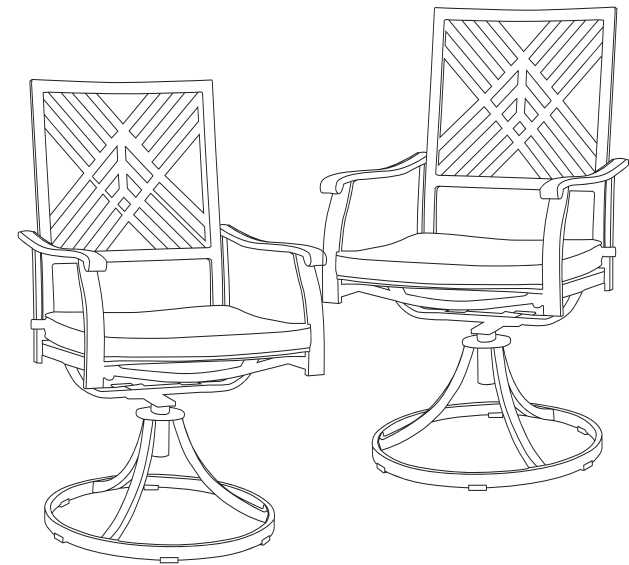




## INSTRUCTION MANUAL



2PCS Textilene Swivel Dining Chairs

Model : DD02S

**OUTERPRO CORP.**

201 E Center st ste 112 #3500,  
Anaheim CA 92805

If you have any questions, please contact us:

 [Service@outerprocorp.com](mailto:Service@outerprocorp.com)

# THANK YOU for your trust


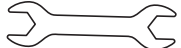
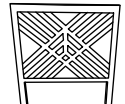

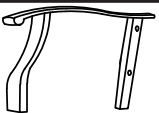

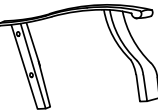
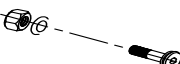
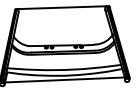


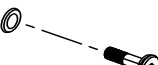


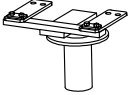
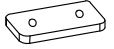
Dear Customer,

Thank you for choosing Sour Citrus to enhance your home and outdoor spaces. This product is thoughtfully designed to bring comfort and style to your space. Sour Citrus devotes to delivering exceptional quality and innovative outdoor furniture.

Before assembling or using this product, please inspect it for any damages and ensure that all parts and hardware are included. If you notice any issues, please refrain from using the item and contact our customer service at [service@outerprocorp.com](mailto:service@outerprocorp.com).

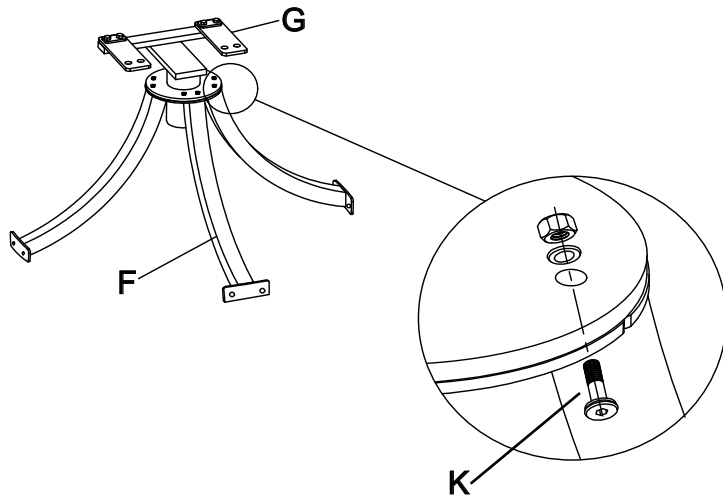
Should any parts be missing, kindly reach out to us, and we will promptly provide the necessary items.

This furniture is suitable for both indoor and outdoor settings. Please read and follow the assembly instructions carefully, and use the product as intended in this manual. Sour Citrus is not responsible for any damage resulting from improper use.

INSTALLATION STEPS				Tools used:  		
Part Number	Images and Sizes	Part Name	Qty.	Part Number	Images and Sizes	Qty.
A		chair back	1	I		1
B		left armrest	1	J	 M8*35	4
C		right armrest	1	K	 M6*25	6
D		chair seat	1	L	 M6*15	6
E		leg connecting ring	1	M	 M6*25	6
F		supporting leg	3	N	 M6*40	2
G		swivel assembly	1			
H		retainer plate	4			

## ASSEMBLY INSTRUCTIONS

We need: 6 M6\*25 (K)



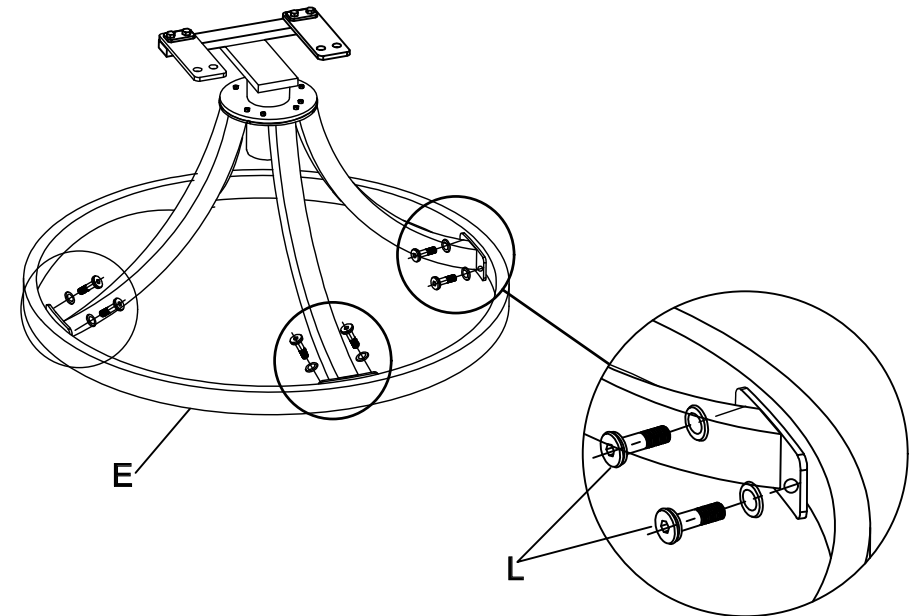
### STEP 1

Connect 3 supporting legs (F) to the swivel assembly (G) using 6 M6\*25 (K) in the order shown.

Conecte 3 patas de soporte (F) al conjunto giratorio (G) usando 6 M6\*25 (K) en el orden mostrado.

## ASSEMBLY INSTRUCTIONS

We need: 6 M6\*15 (L)



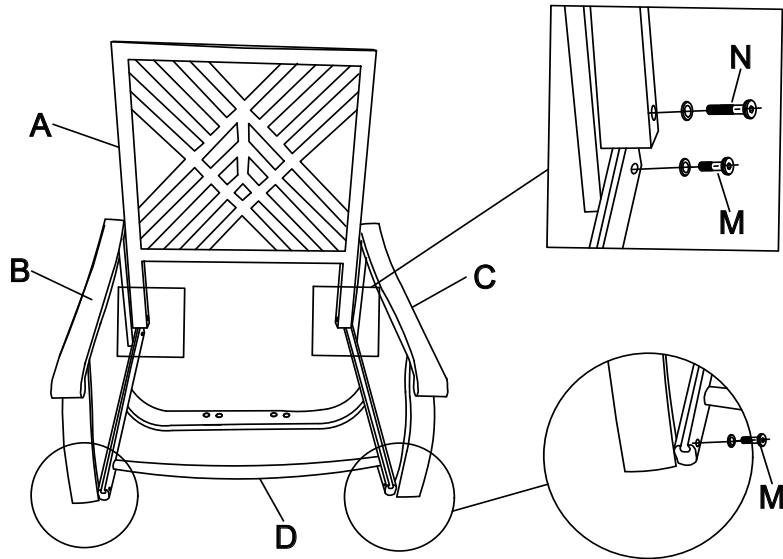
### STEP 2

Attach leg assembly to the leg connecting ring (E) using 6 M6\*15 (L) in the order shown.

Conecte el conjunto de patas al anillo de conexión de patas (E) usando 6 M6\*15 (L) en el orden mostrado.

## ASSEMBLY INSTRUCTIONS

We need: 4 M6\*25 (M)  
2 M6\*40 (N)



### STEP 3

Attach left armrest (B) and right armrest (C) to the chair back (A) using 2 M6\*40 (N) and 2 M6 \*25 (M) in the order shown.

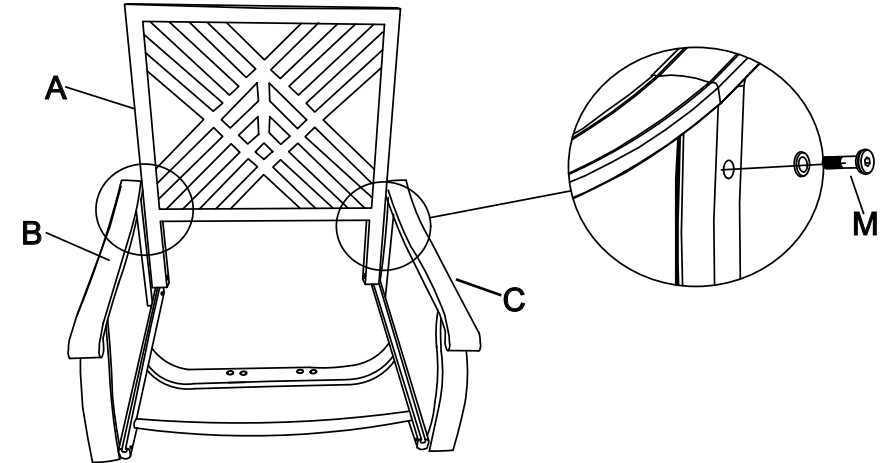
Attach left armrest (B) and right armrest (C) to the chair seat to (D) using 2 M6 \*25 (M) in the order shown.

Fije el reposabrazos izquierdo (B) y el reposabrazos derecho (C) al respaldo de la silla (A) utilizando 2 tornillos M6\*40 (N) y 2 tornillos M6\*25 (M) en el orden que se muestra.

Fije el reposabrazos izquierdo (B) y el reposabrazos derecho (C) al asiento de la silla (D) utilizando 2 tornillos M6\*25 (M) en el orden que se muestra.

## ASSEMBLY INSTRUCTIONS

We need: 2 M6 \*25 (M)



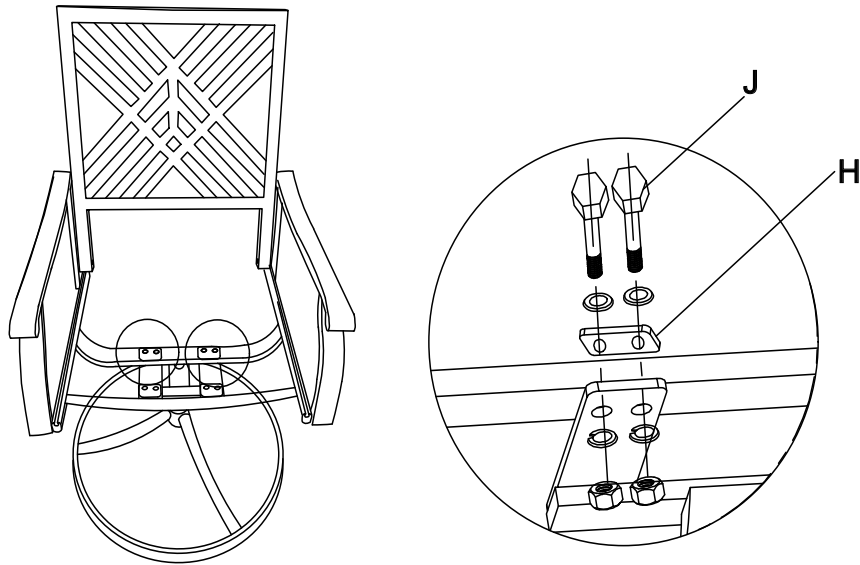
### STEP 4

Attach left armrest (B) and right armrest (C) to the chair back (A) using 2 M6 \*25 (M) in the order shown.

Fije el reposabrazos izquierdo (B) y el reposabrazos derecho (C) al respaldo de la silla (A) utilizando 2 tornillos M6\*25 (M) en el orden que se muestra.

## ASSEMBLY INSTRUCTIONS

We need: 4 retainer plates (H)  
4 M8\*35 (J)



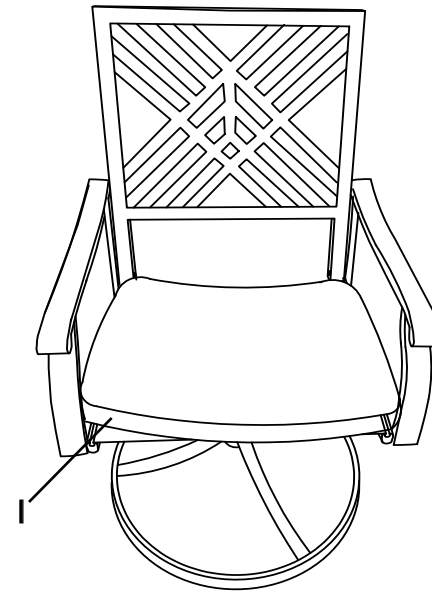
### STEP 5

Attach the seat assembly to leg assembly using 4 retainer plates (H), and 4 M8\*35 (J) in the order shown.

Fije el conjunto del asiento al conjunto de las patas usando 4 placas de retención (H) y 4 M8\*35 (J) en el orden que se muestra.

## ASSEMBLY INSTRUCTIONS

We need: 1 Cushion (I)



### STEP 6

After assembling the chair, place the seat cushion on the seat.

Después de montar la silla, coloque el cojín del asiento sobre el asiento.

## CARE AND MAINTENANCE

Follow the instructions for the product's material to ensure it stays in the best shape as long as possible. The information below is a general guideline. Don't hesitate to get in touch with us to learn more.

- Only rinse it thoroughly with clean water to wash away dirt and grime. Never use abrasive cleansers on the furniture since they can attack the surface and leave behind scratch marks.
- For stubborn grime and stains, use a soft sponge and mild soapy water. Then dry it with a cloth or paper towel.
- Check the stability of the screws, nuts, and nut caps before each use. Then, tighten them up after one to two months' use whenever required.
- Avoid improper use, and be careful not to scratch or damage the surface with sharp objects.
- When you move your furniture, lift it rather than pulling or pushing it to avoid damaging the floor, legs, and mounting