



## INSTRUCTION MANUAL



### Rocking Chair with Cushion

**OUTERPRO CORP.**

201 E Center st ste 112 #3500,  
Anaheim CA 92805

*If you have any questions, please contact us:*

 [Service@outerprocorp.com](mailto:Service@outerprocorp.com)

Model: RC-01  
Modelo: RC-01

**THANK YOU for your trust**



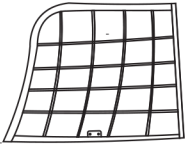

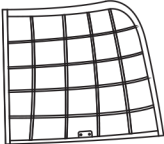

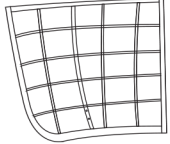

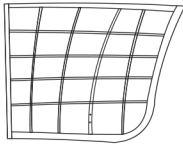




Dear Customer,

Thank you for choosing Sour Citrus to enhance your home and outdoor spaces. This product is thoughtfully designed to bring comfort and style to your space. Sour Citrus devotes to delivering exceptional quality and innovative outdoor furniture.

Before assembling or using this product, please inspect it for any damages and ensure that all parts and hardware are included. If you notice any issues, please refrain from using the item and contact our customer service at [service@outerprocorp.com](mailto:service@outerprocorp.com).

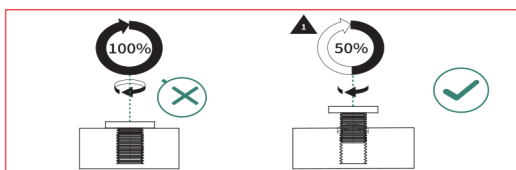
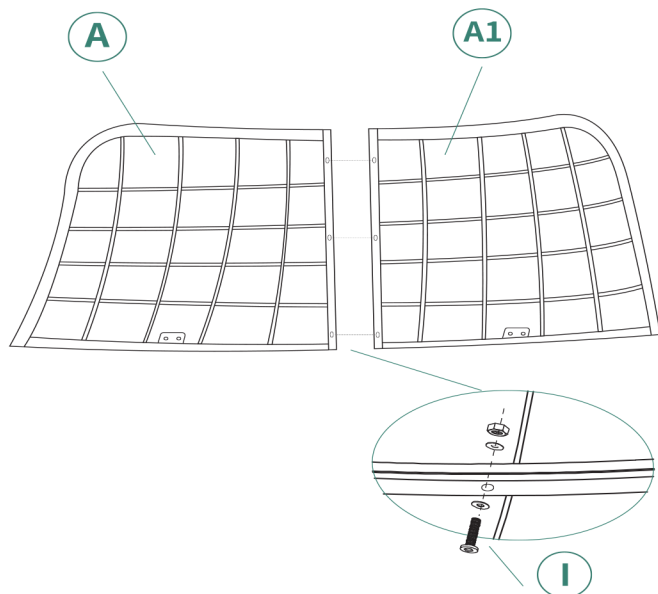
Should any parts be missing, kindly reach out to us, and we will promptly provide the necessary items.

This furniture is suitable for both indoor and outdoor settings. Please read and follow the assembly instructions carefully, and use the product as intended in this manual. Sour Citrus is not responsible for any damage resulting from improper use.

<b>INSTALLATION STEPS</b> Tools used:  					
Part Number	Images and Sizes	Qty.	Part Number	Images and Sizes	Qty.
<b>A</b>		<b>1</b>	<b>F</b>	 M6*45mm	<b>4</b>
<b>A1</b>		<b>1</b>	<b>G</b>		<b>2</b>
<b>B</b>		<b>1</b>	<b>H</b>		<b>1</b>
<b>B1</b>		<b>1</b>	<b>I</b>	 M6*30mm	<b>12</b>
<b>C</b>		<b>1</b>			
<b>D</b>		<b>1</b>			
<b>E</b>	 M6*20mm	<b>8</b>			

## ASSEMBLY INSTRUCTIONS

# 1



Attach seat frame (A) and seat frame (A1) using 3pcs of M6\*30mm bolts (I).

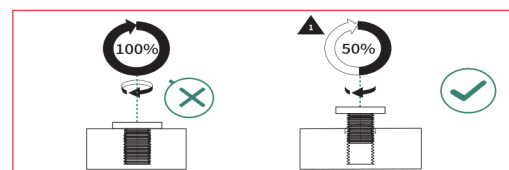
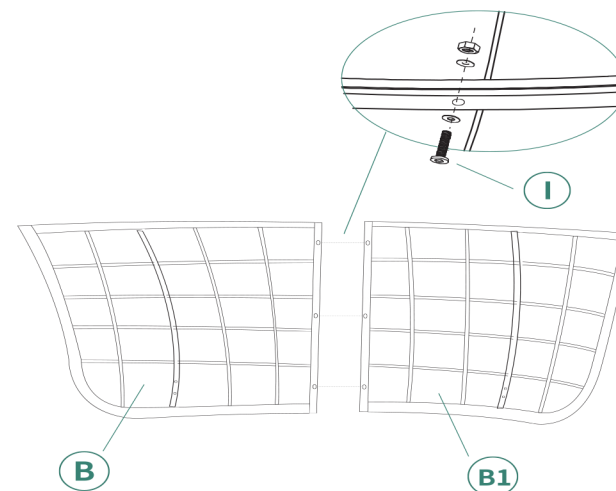
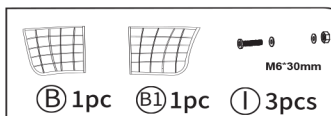
Fije el armazón del asiento (A) y el armazón del asiento (A1) utilizando 3 pernos M6\*30 mm (I).

Note: Tighten all the screws to about 50% of the full torque. Do not fully tighten them.

Nota: Apriete todos los tornillos hasta aproximadamente el 50% del par de apriete máximo. No los apriete por completo.

## ASSEMBLY INSTRUCTIONS

# 2



Attach seat frame (B) and seat frame (B1) using 3pcs of M6\*30mm bolts (I).

Fije el bastidor del asiento (B) y el bastidor del asiento (B1) utilizando 3 pernos M6\*30 mm (I).

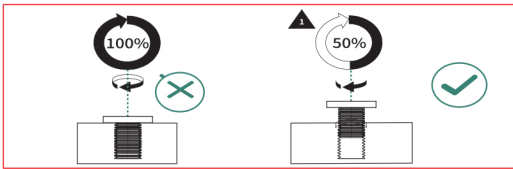
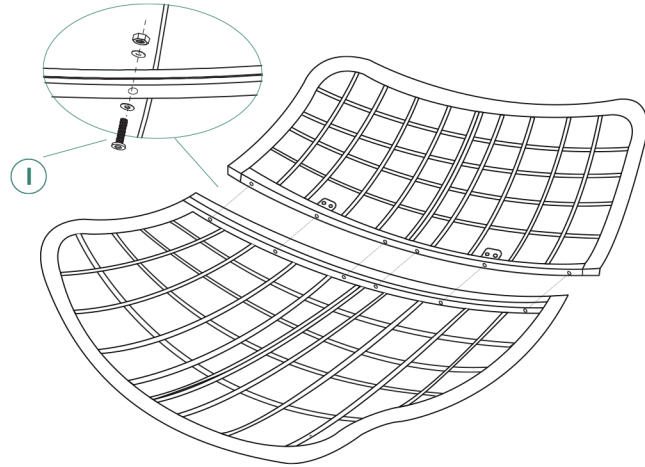
Note: Tighten all the screws to about 50% of the full torque. Do not fully tighten them.

Nota: Apriete todos los tornillos hasta aproximadamente el 50% del par de apriete máximo. No los apriete por completo.

ASSEMBLY INSTRUCTIONS

3

M6\*30mm  
① 6pcs



Connect the two seat frame assemblies using 6pcs of M6\*30mm bolts (I).

Conecte los dos conjuntos de la estructura del asiento utilizando 6 pernos M6\*30 mm (I).

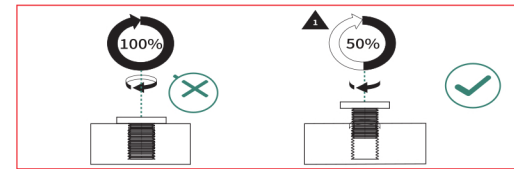
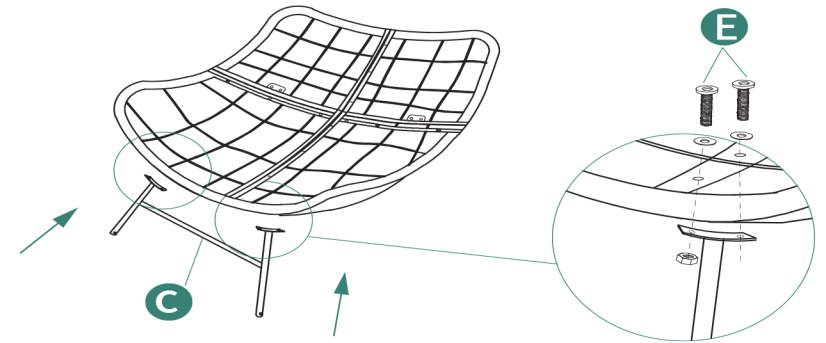
Note: Tighten all the screws to about 50% of the full torque. Do not fully tighten them.

Nota: Apriete todos los tornillos hasta aproximadamente el 50% del par de apriete máximo. No los apriete por completo.

ASSEMBLY INSTRUCTIONS

4

③ 1pc  
M6\*20mm  
④ 4pcs



Attach the front leg (C) to the seat frame assembly using 4pcs of M6\*20mm bolts (E).

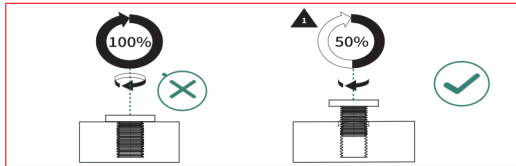
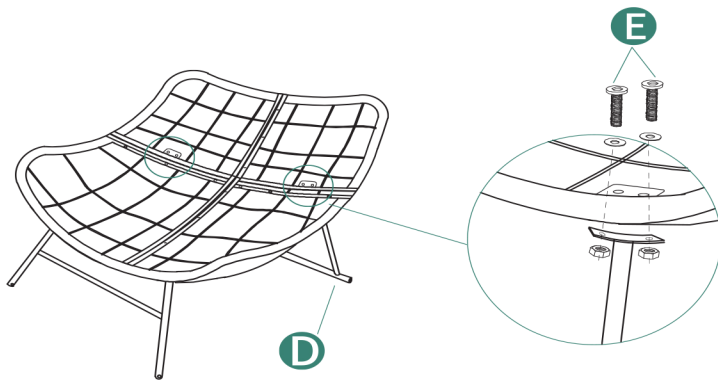
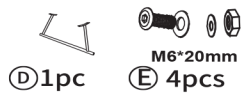
Fije la pata delantera (C) a la estructura del asiento utilizando 4 tornillos M6\*20 mm (E).

Note: Tighten all the screws to about 50% of the full torque. Do not fully tighten them.

Nota: Apriete todos los tornillos hasta aproximadamente el 50% del par de apriete máximo. No los apriete por completo.

ASSEMBLY INSTRUCTIONS

5



Attach the rear leg (D) to the seat frame assembly using 4pcs of M6\*20mm bolts(E).

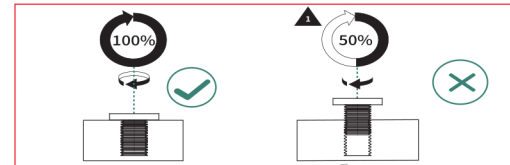
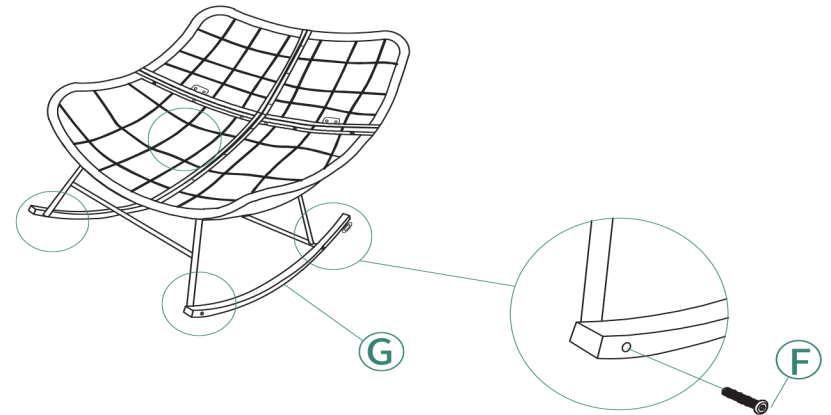
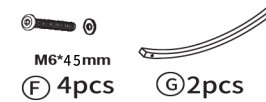
Fije la pata trasera (D) a la estructura del asiento utilizando 4 tornillos M6\*20 mm (E).

Note: Tighten all the screws to about 50% of the full torque. Do not fully tighten them.

Nota: Apriete todos los tornillos hasta aproximadamente el 50% del par de apriete máximo. No los apriete por completo.

ASSEMBLY INSTRUCTIONS

6



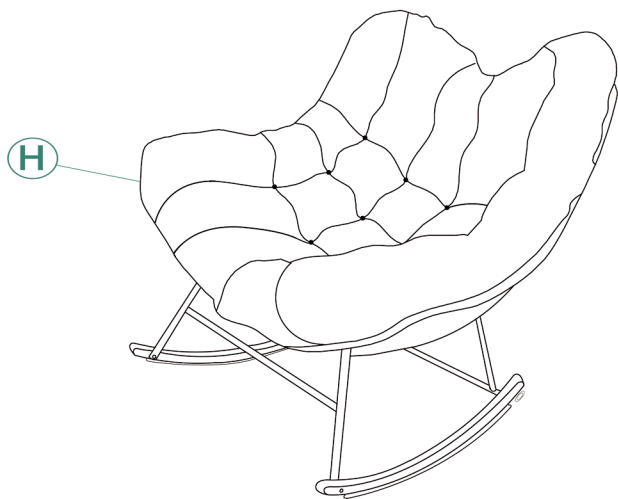
Attach the 2pcs of curved rockers (G) to the front and rear legs using 4pcs of M6\*45mm bolts (F).

Fije las dos piezas de balancines curvos (G) a las patas delanteras y traseras utilizando cuatro pernos M6\*45 mm (F).

Note: Fully tighten all screws (100% torque) to secure the assembly.

Nota: Apriete completamente todos los tornillos (al 100% del par de

## ASSEMBLY INSTRUCTIONS



Place the seat cushion onto the assembled rocking chair frame to complete the setup.

Coloca el cojín del asiento sobre la estructura de la mecedora ya montada para completar el montaje.

Tips: If you remove the seat cushion, the sitting feeling will be worse; it is recommended to use it with a seat cushion.

Consejo: si quitas el cojín del asiento, la comodidad al sentarse empeorará; se recomienda usarlo con el cojín.

## CUSTOMER SERVICE

Thanks for purchasing Sour Citrus furniture. We are here to help you maximize your enjoyment and appreciation of it.

Please do not hesitate to contact our customer service if you have any questions regarding assembly or accessories.

Address: 201 E CENTER ST STE 112 #3500, ANAHEIM CA 92805.

E-mail: [service@outerprocorp.com](mailto:service@outerprocorp.com)

## IMPORTANT SAFETY WARNINGS

- Keep away from open flames and high-temperature heat sources to prevent material deformation or fire hazards.
- Do not exceed the recommended weight limit of this product to avoid structural damage or collapse.
- Children must use the product under adult supervision to prevent accidental falls or pinching injuries.
- Do not stand on the chair or jump on it; any improper use may lead to personal injury or product damage.
- Avoid placing or using the chair on slippery surfaces such as wet floors to prevent slipping and tipping over.
- Do not move the chair while someone is sitting on it to prevent falls and related injuries.

## CARE AND MAINTENANCE

Follow the instructions for the product's material to ensure it stays in the best shape as long as possible. The information below is a general guideline. Don't hesitate to get in touch with us to learn more.

- Only rinse it thoroughly with clean water to wash away dirt and grime. Never use abrasive cleansers on the furniture since they can attack the surface and leave behind scratch marks.
- For stubborn grime and stains, use a soft sponge and mild soapy water. Then dry it with a cloth or paper towel.
- Check the stability of the screws, nuts, and nut caps before each use. Then, tighten them up after one to two months' use whenever required.
- Avoid improper use, and be careful not to scratch or damage the surface with sharp objects.
- When you move your furniture, lift it rather than pulling or pushing it to avoid damaging the floor, legs, and mounting

