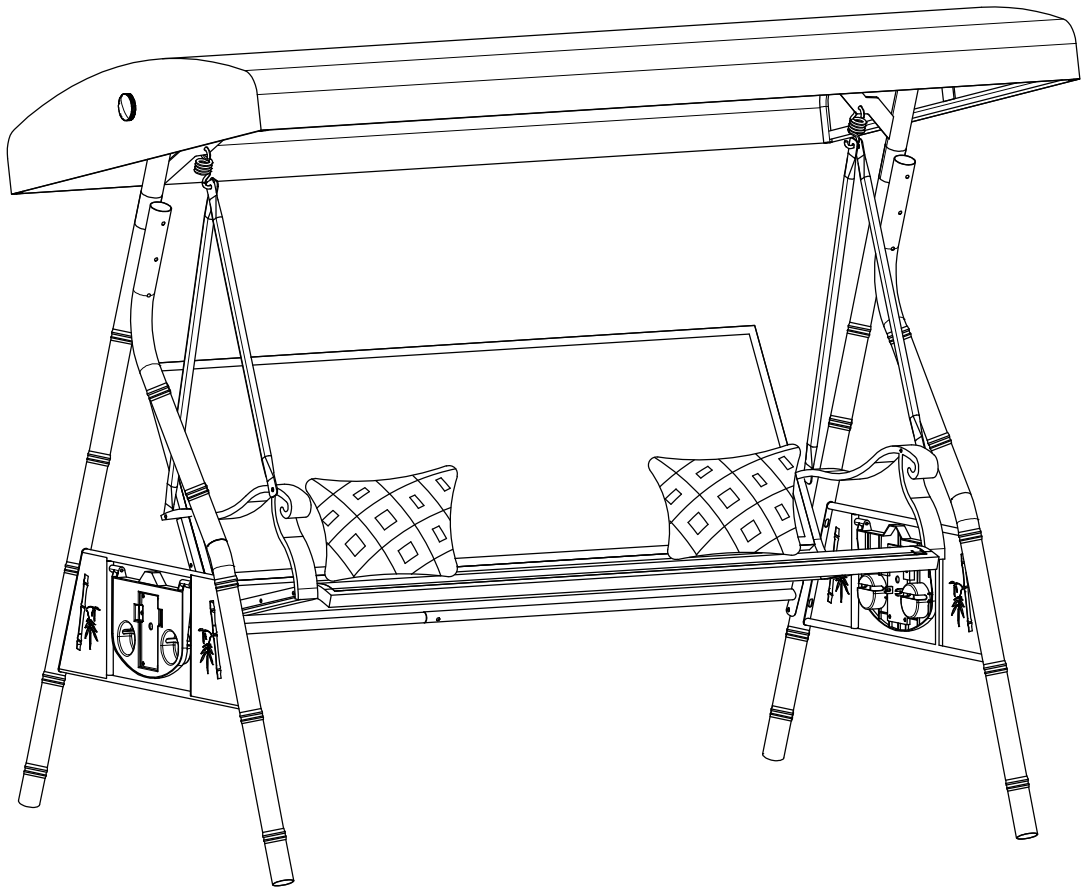




PATIO SWING ASSEMBLY INSTRUCTION



If you have any questions, feel free to email us at zzwservice@gmail.com.

THANK YOU

Register and Get the Full Benefit

It's our way of saying thank you.

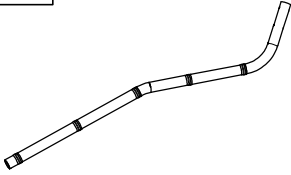
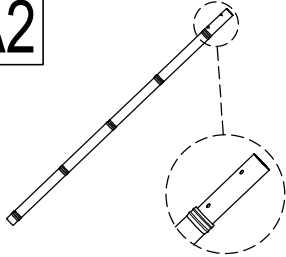
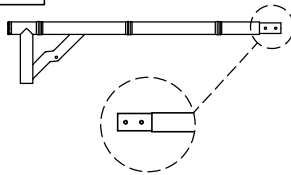

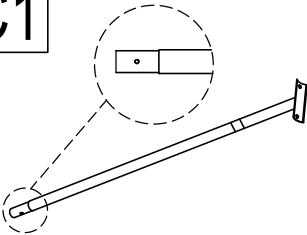
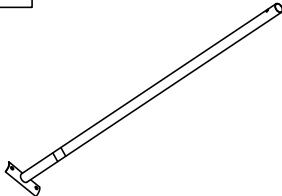
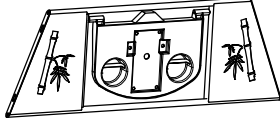

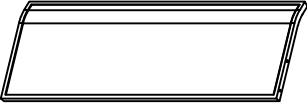
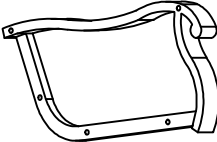
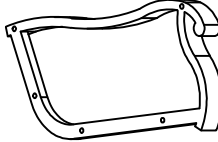
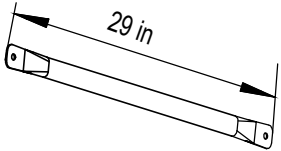
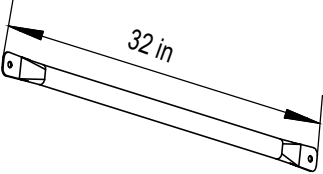
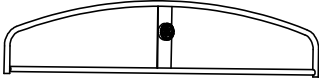

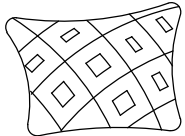
Register your product to enjoy a number of benefits:

- (1) 1-year warranty extension
- (2) 24/7 quicker service and product support
- (3) Chance to test new products for free
- (4) Get specific discount on shop items

Register Way: Send " your name + order ID " to zzwservice@gmail.com

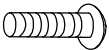
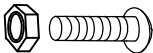
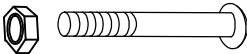
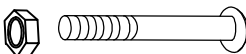
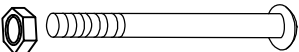
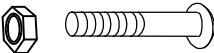
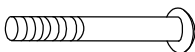

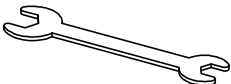

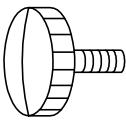
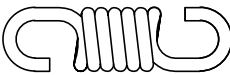
Assembly Instruction

Parts List

A1 	A2 	B1 	B2 
2PCS	2PCS	1PC	1PC
C1 	C2 	D 	E1 
1PC	1PC	2PCS	1PC
E2 	F1 	F2 	G1 
1PC	1PC	1PC	2PCS
G2 	H 	I 	K 
2PCS	2PCS	1PC	2PCS

Assembly Instruction

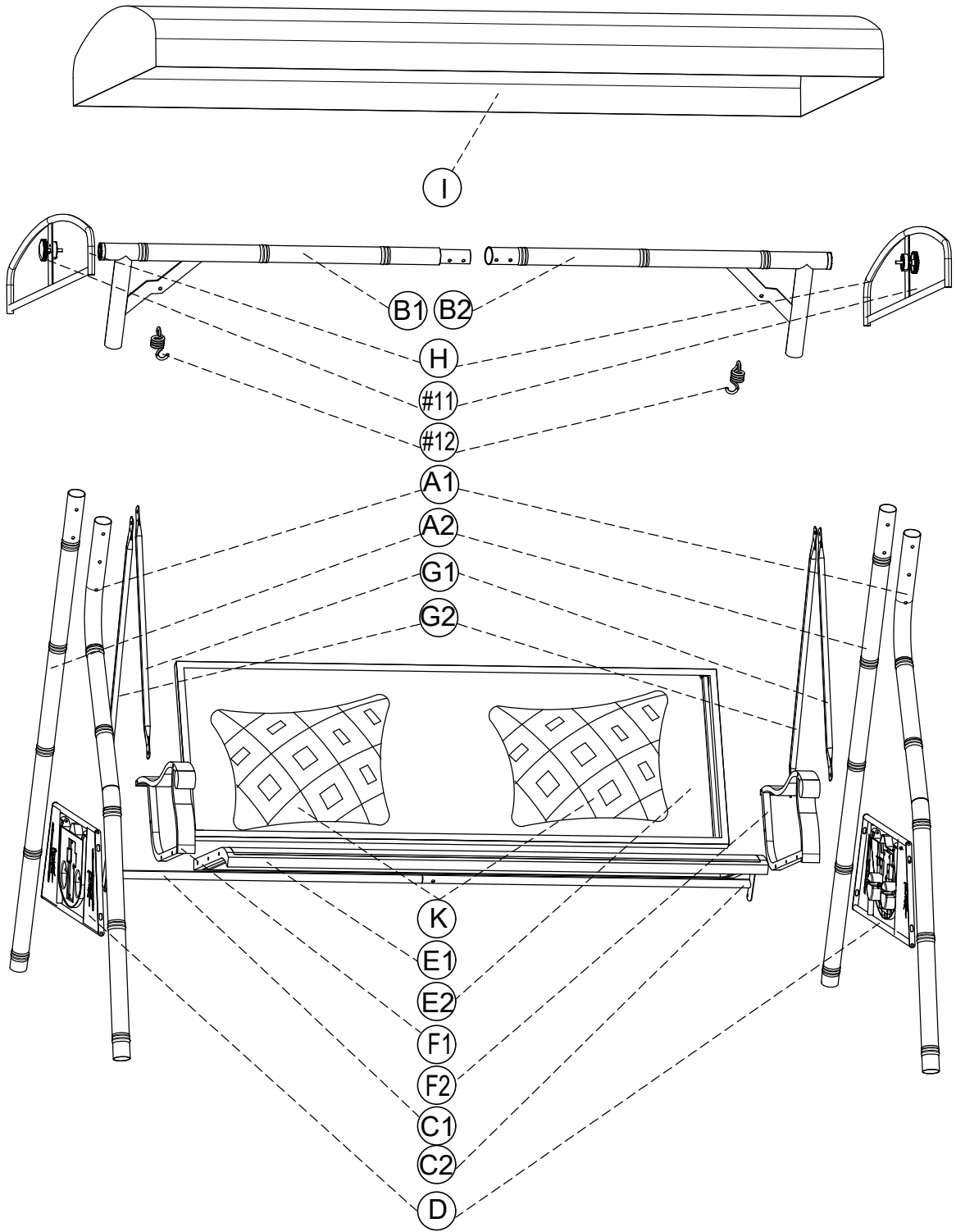
Parts List

#1	 M6*15mm 8PCS	#2	 M6*30mm 1PC	#3	 M6*55mm 2PCS	#4	 M6*65mm 4PCS
#5	 M6*105mm 6PCS	#6	 M8*35mm 6PCS	#7	 M8*65mm 4PCS	#8	 2PCS
#9	 Wrench(M6-M8) 1PC	#10	 1PC	#11	 2PCS	#12	 2PCS

DANGER

1. Please assemble according to the installation steps in the manual.
2. During the assembly process, please tighten the screws by 80%. After all the screws are assembled, they can be tightened by 100%.
3. During assembly, please install it on the carpet or soft grass to avoid product damage. Thank you.

Assembly Instruction



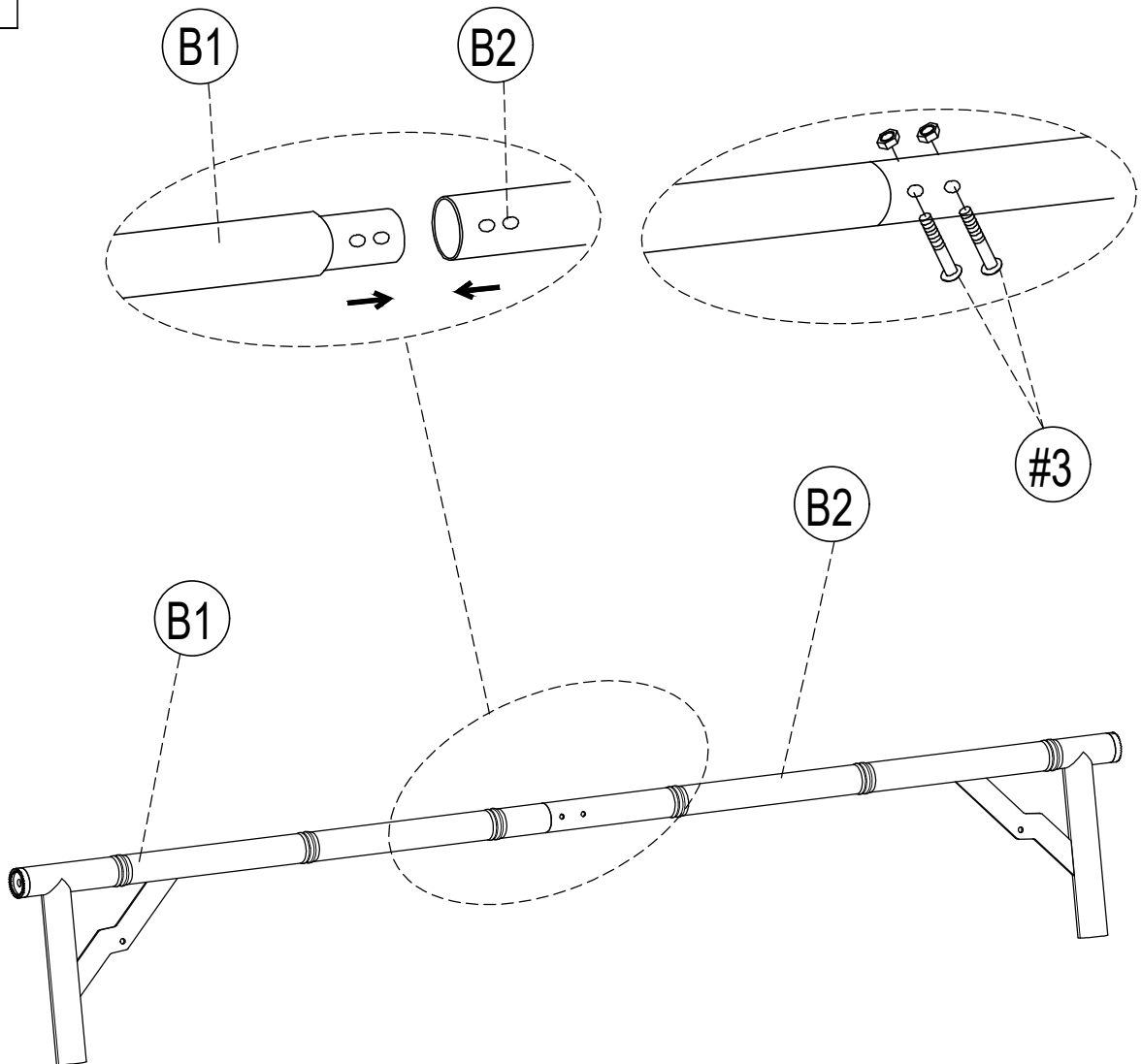
Assembly Instruction

STEP1

B1*1

B2*1

#3*2



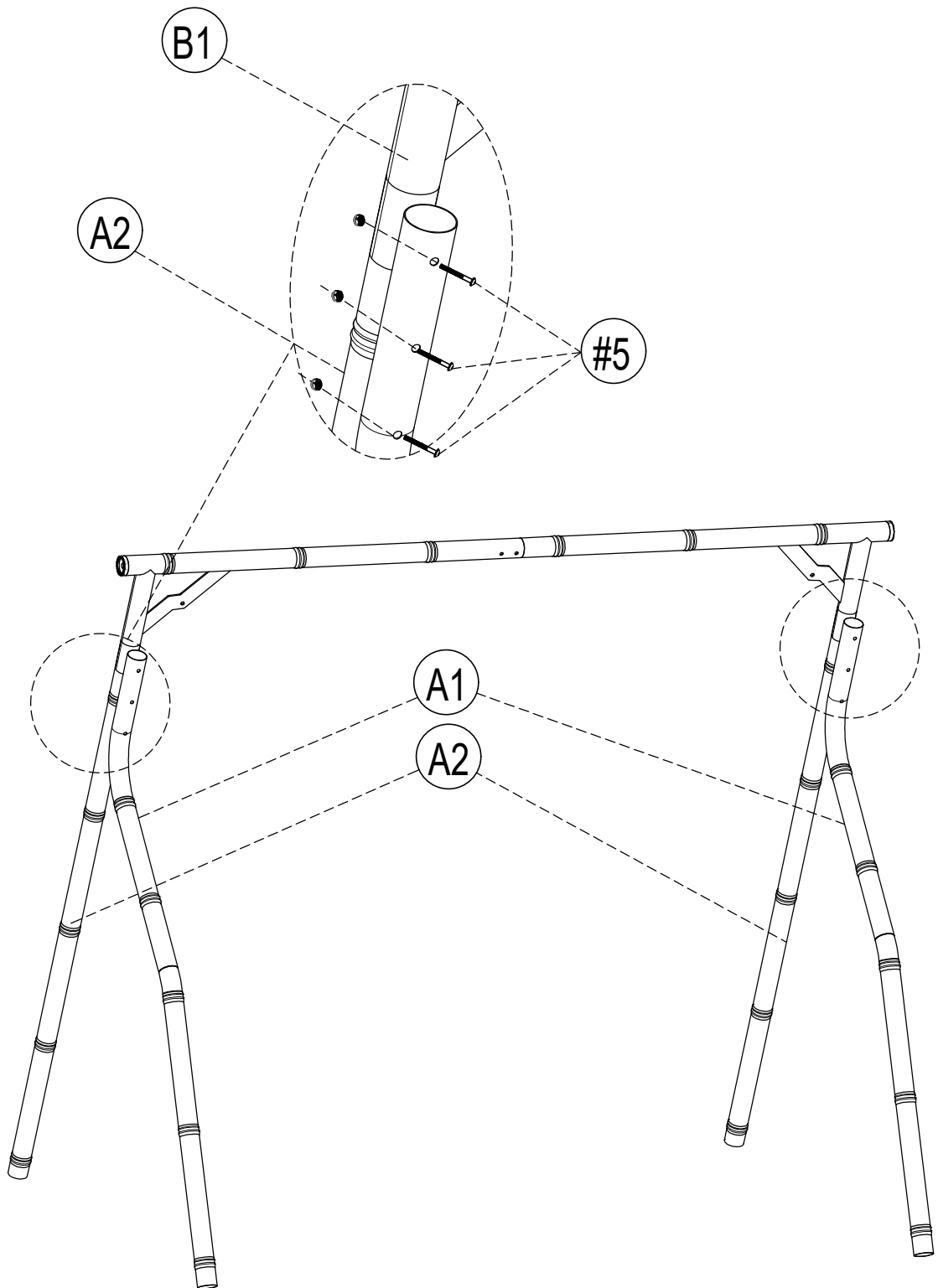
Assembly Instruction

STEP2

A1*2

A2*2

#5*6



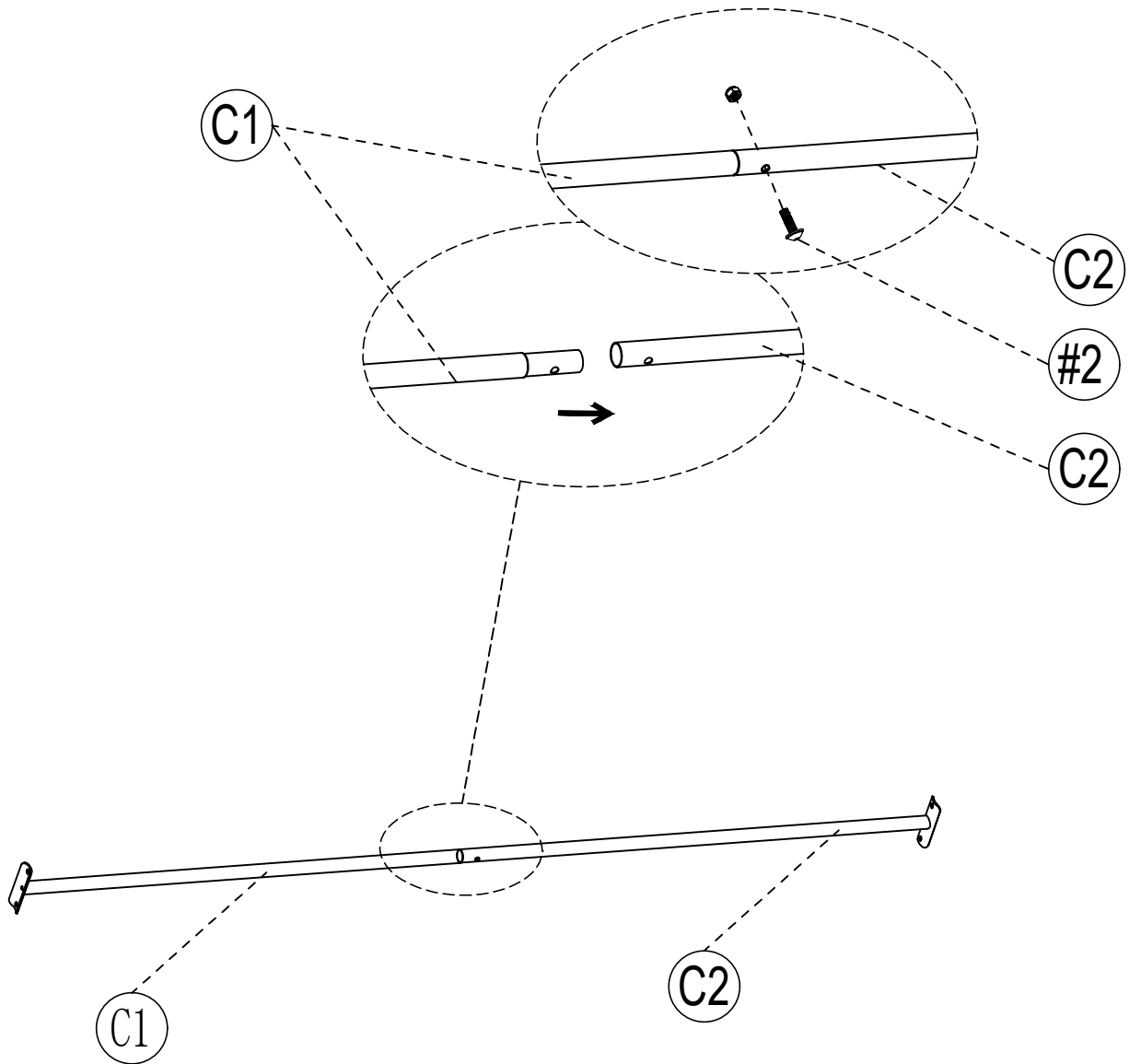
Assembly Instruction

STEP3

C1*1

C2*1

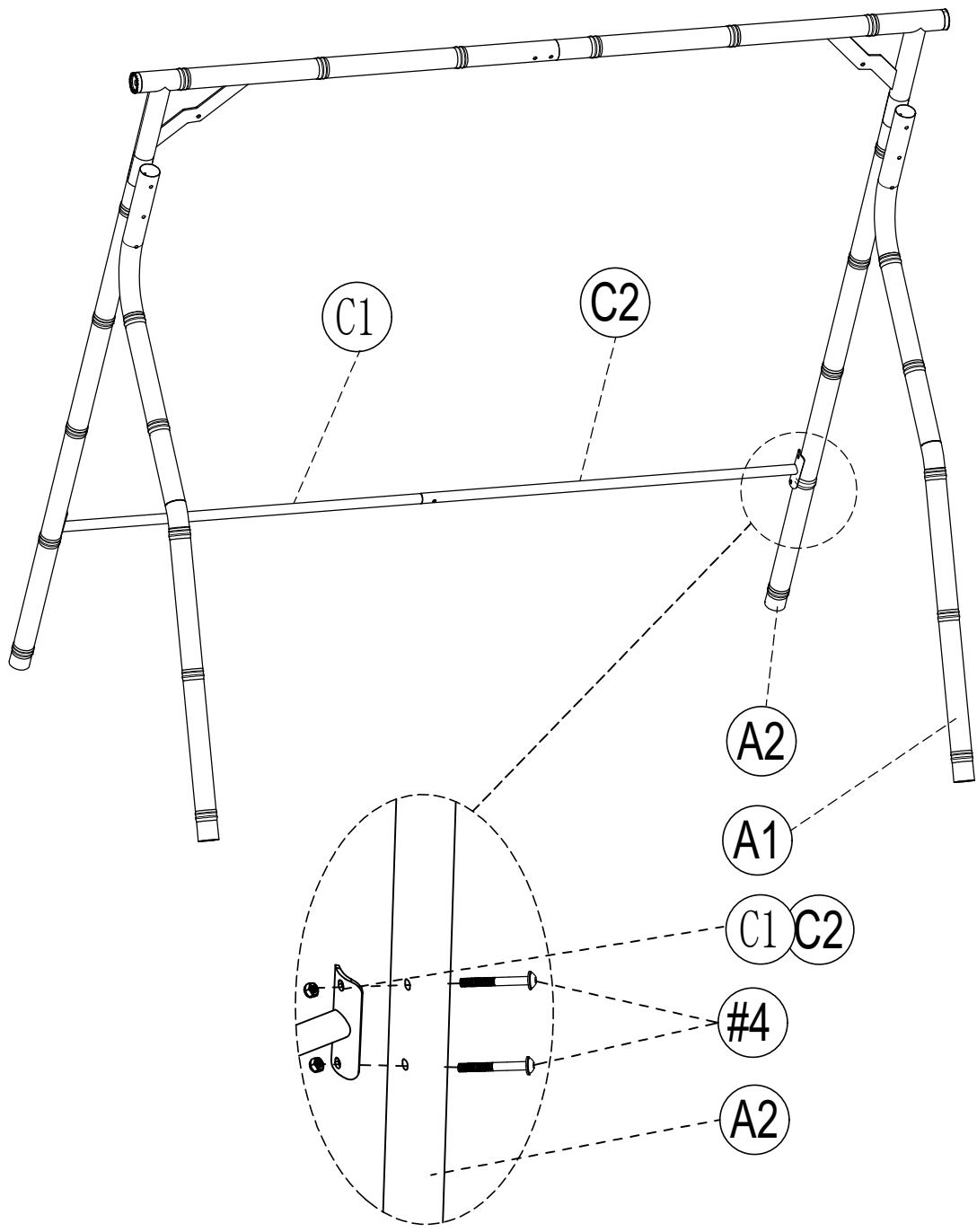
#2*1



Assembly Instruction

STEP4

#4*4

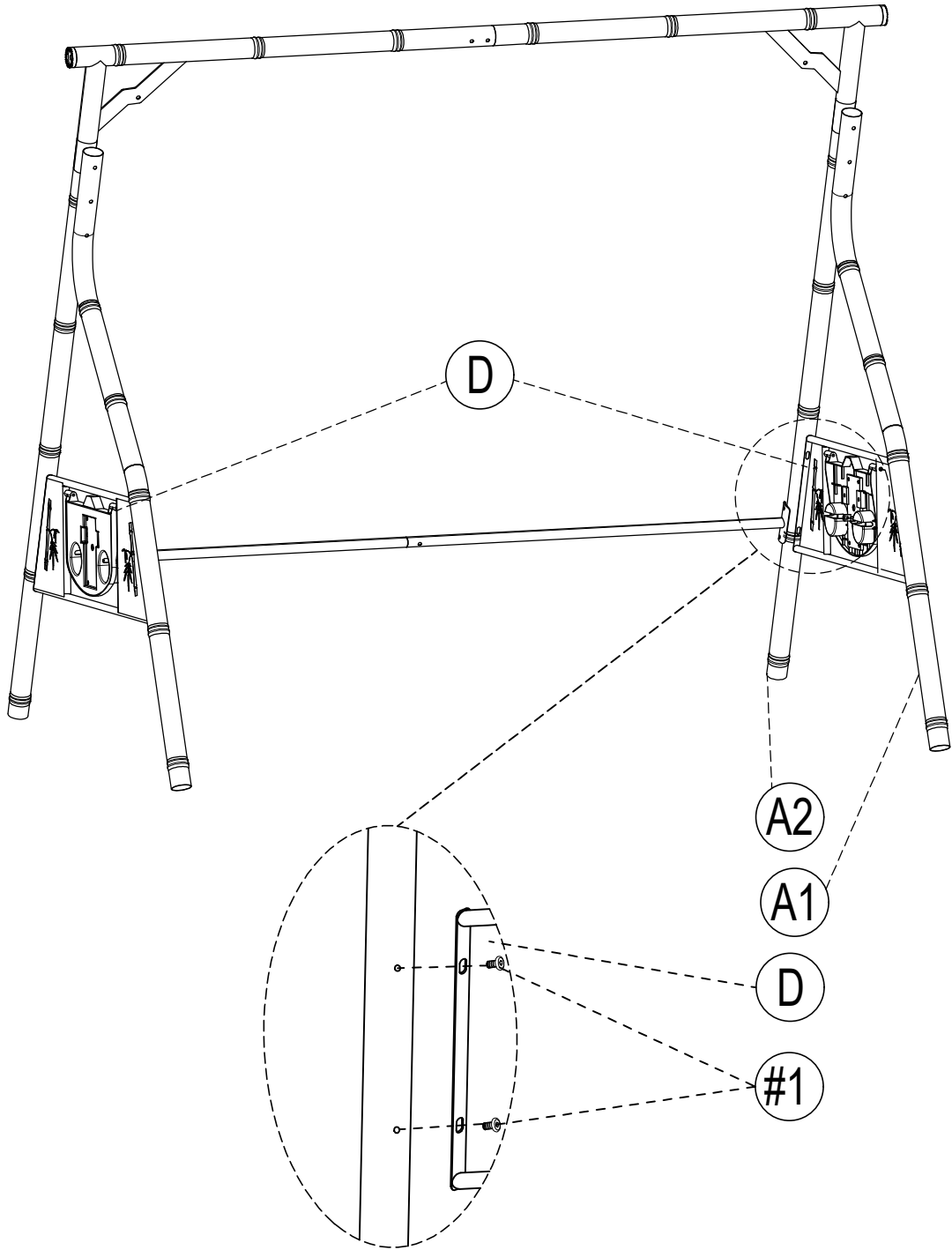


Assembly Instruction

STEP5

D*2

#1*8



Assembly Instruction

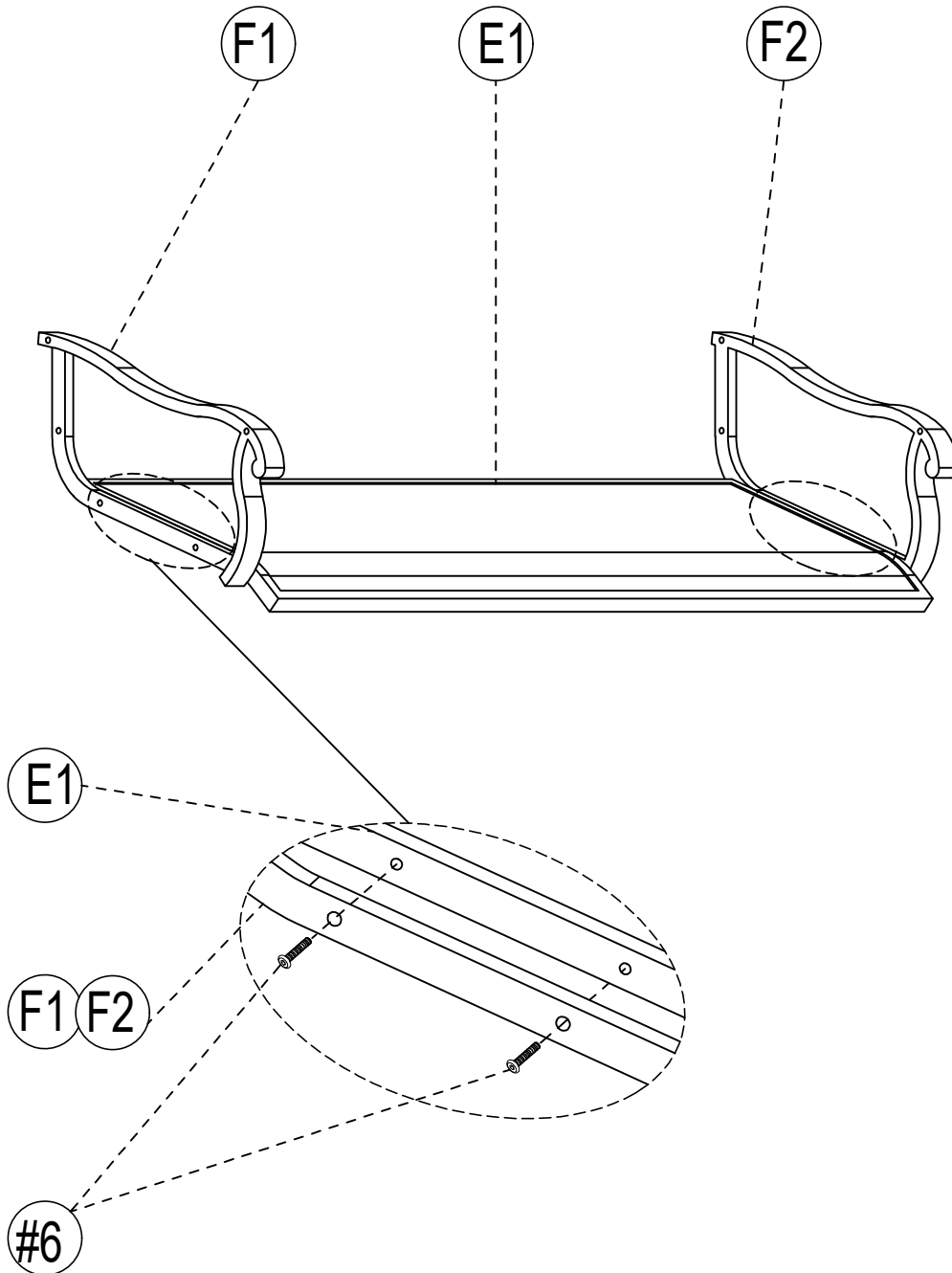
STEP 6

F1*1

F2*1

E1*1

#6*4

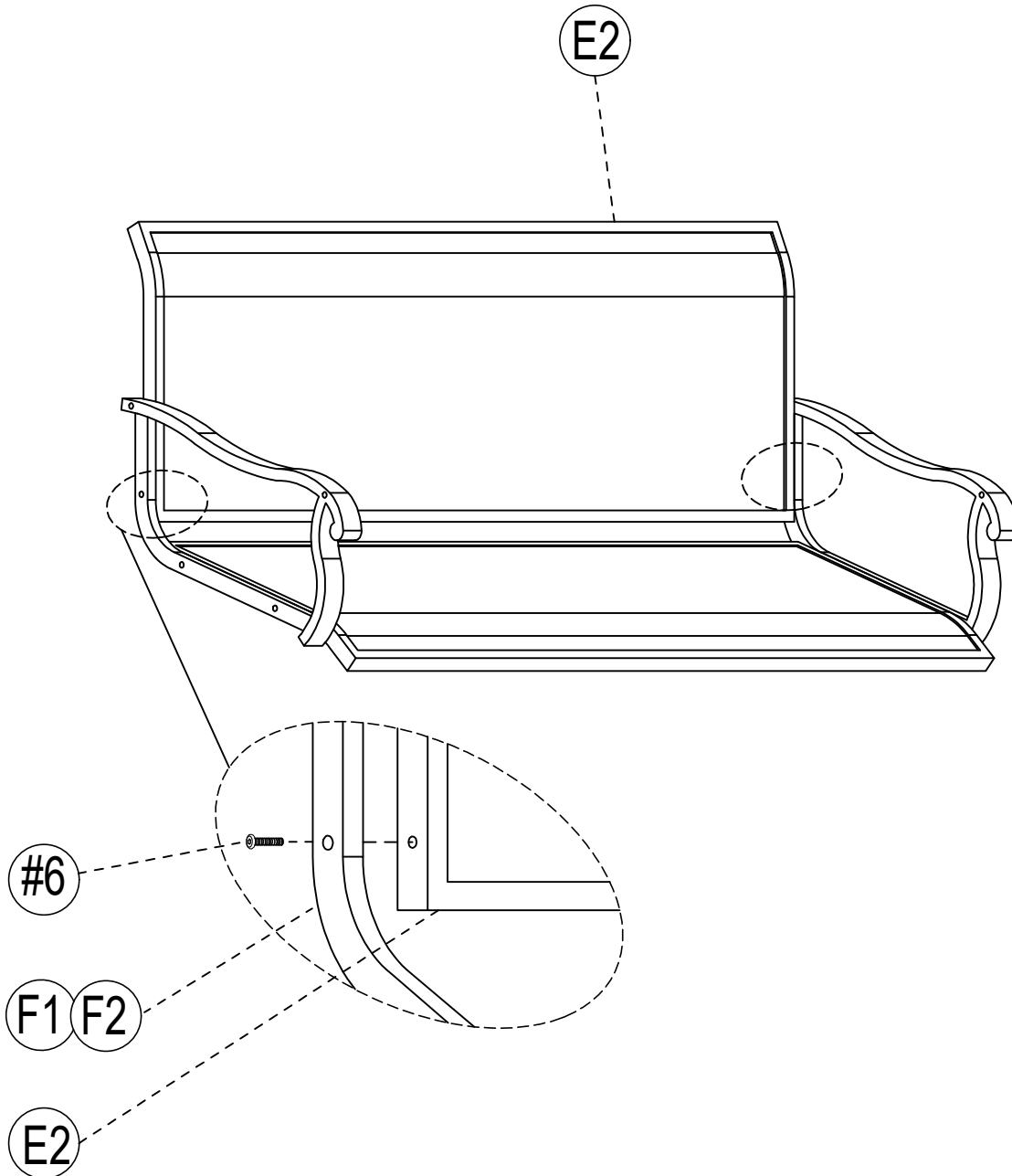


Assembly Instruction

STEP 7

E2*1

#6*2



Assembly Instruction

STEP8

PLEASE NOTICE:

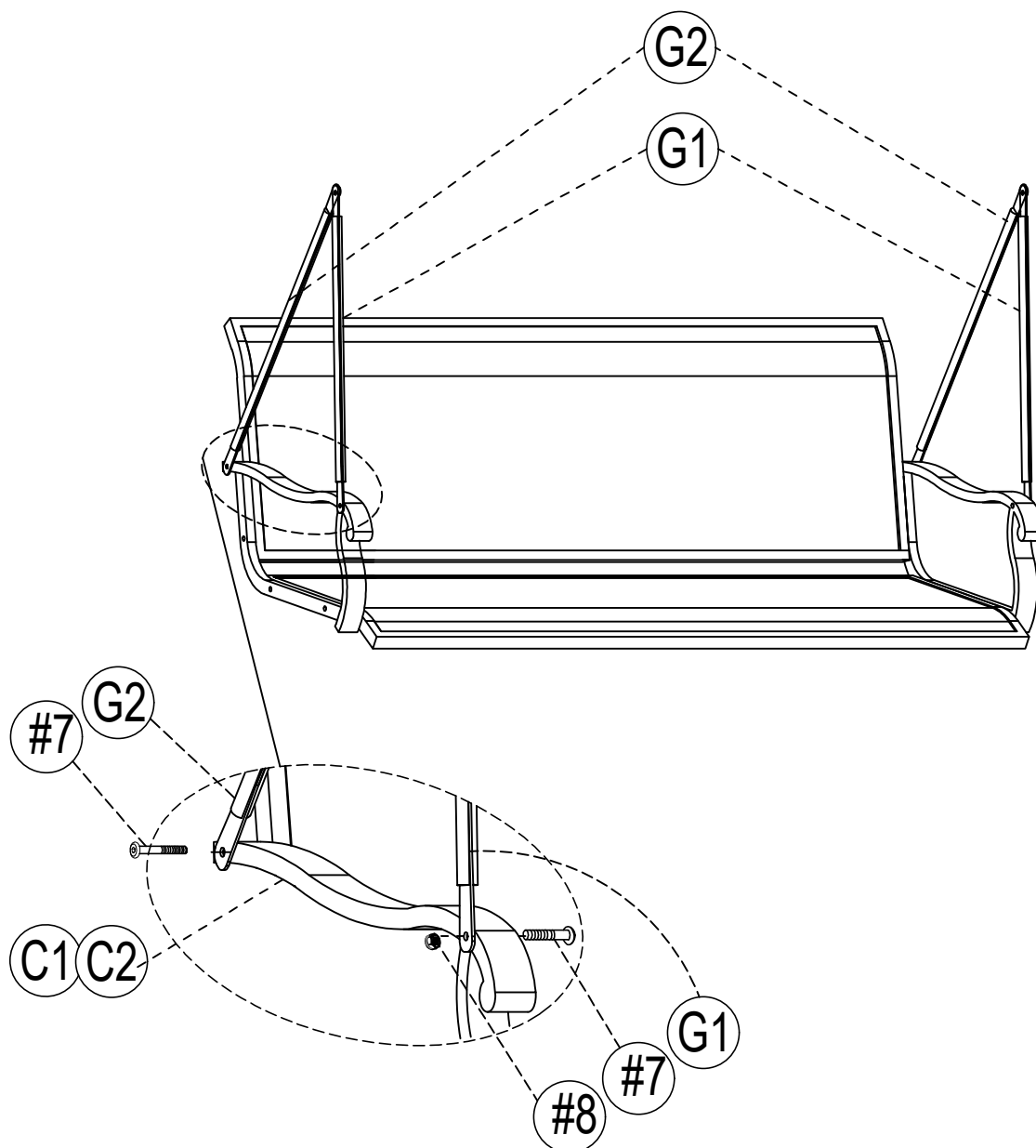
G1*2

G2*2

#7*4

#8*2

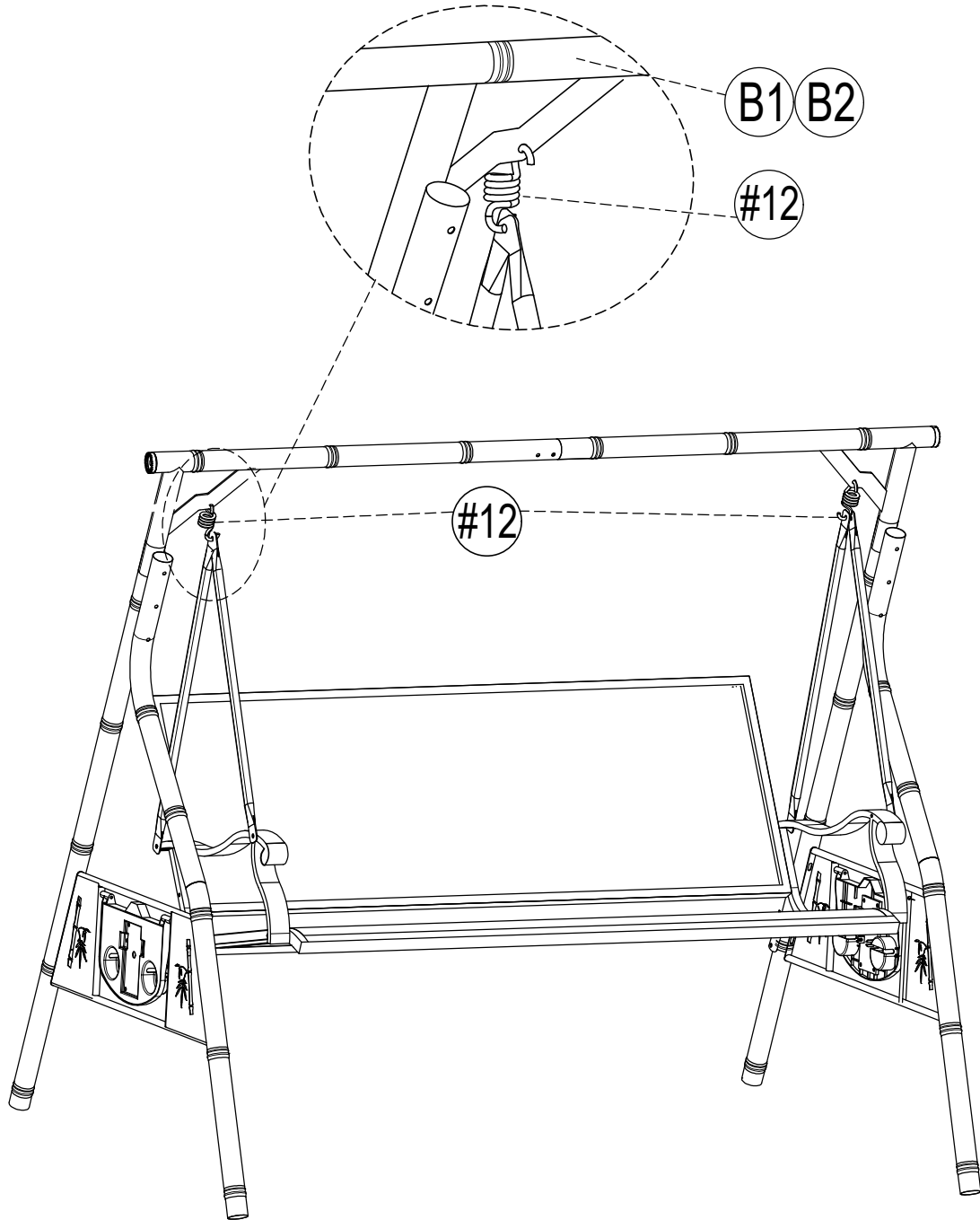
PLEASE check the correct installation of the G1 and G2 carefully, short G1 need to be installed in the front, long G2 in the back. otherwise it won't be able to swing.



Assembly Instruction

STEP9

#12*2



Assembly Instruction

STEP10

H*2

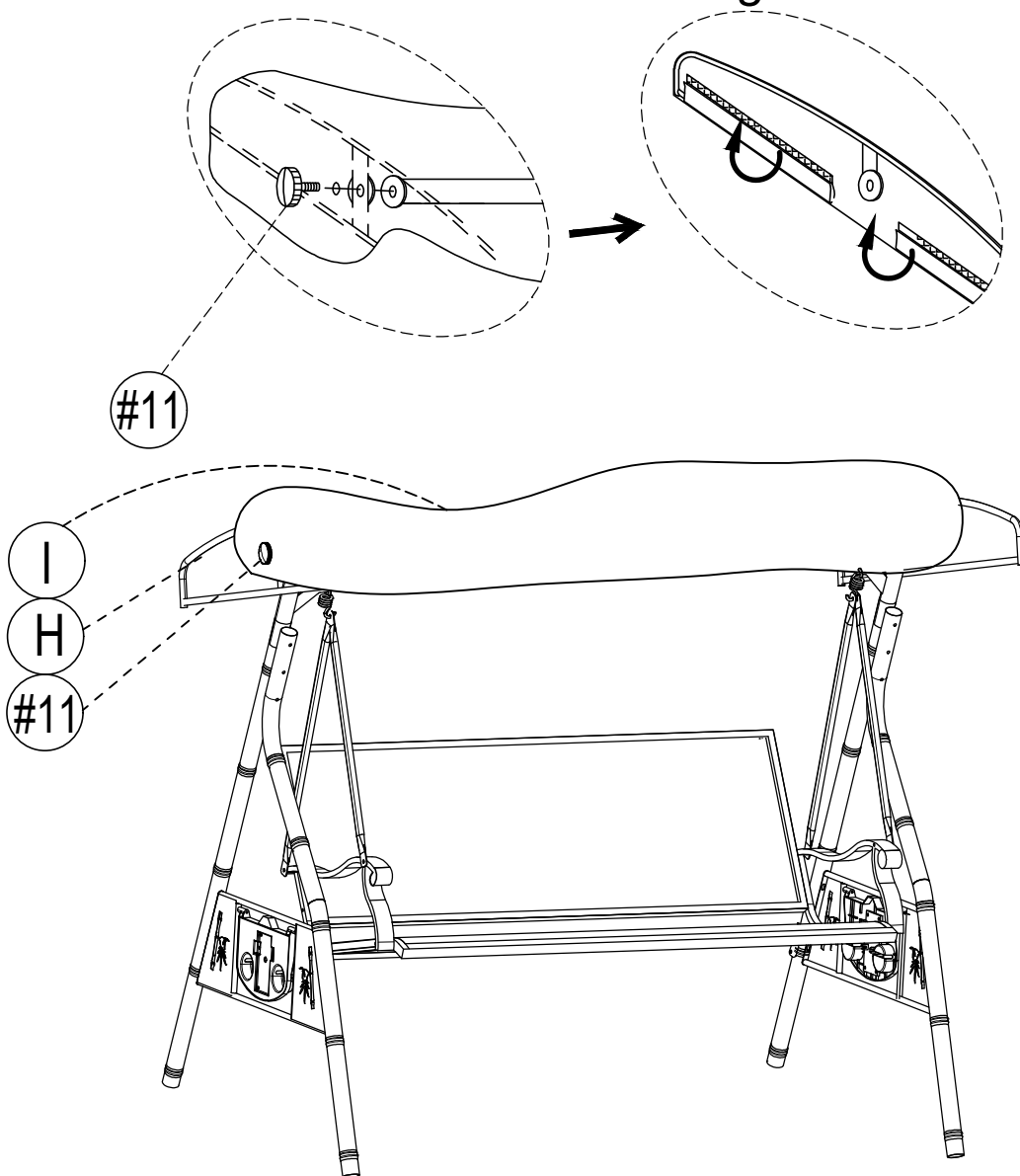
I*1

#11*2

! ATTENTION

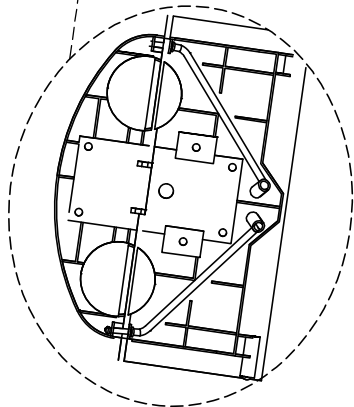
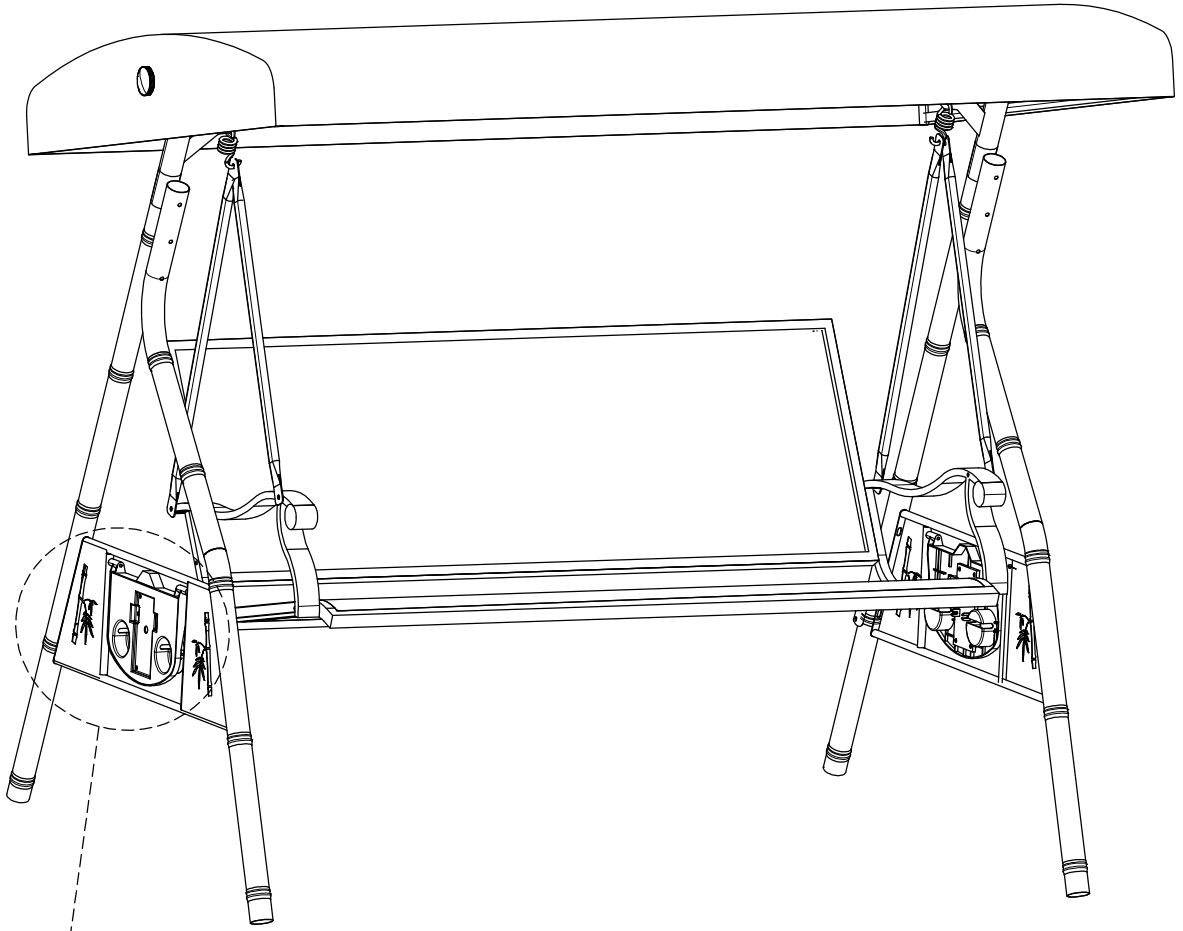
1.To adjust the angle of the canopy, please loosen the knobs on both sides, then align the gears and tighten.

2.If you find that the Velcro on one side of the canopy won't snap on, loosen the Velcro on the other side to adjust the distance. Both sides should maintain a tight feel.

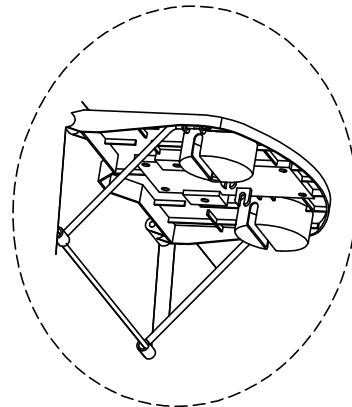


Assembly Instruction

STEP 11



Retract bracket



Release bracket

Assembly Instruction

STEP 12

K*2

