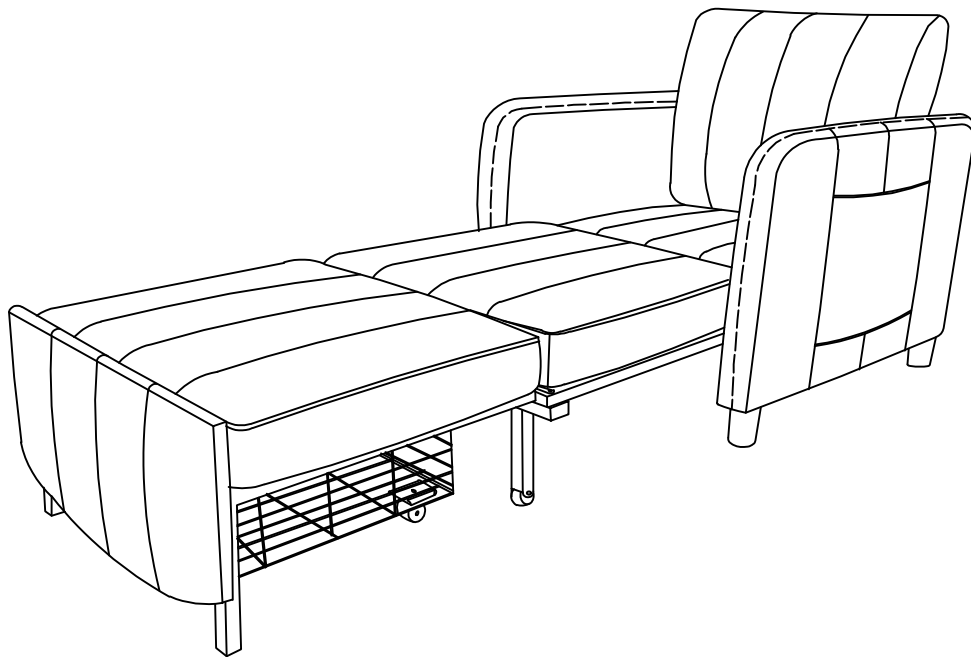


HOME CHAIR

ASSEMBLY INSTRUCTION 6004

batch ID: KS01



If you have any questions, feel free to email us at zzwservice@gmail.com.

THANK YOU

Register and Get the Full Benefit

It's our way of saying thank you.

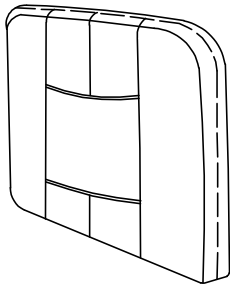
Register your product to enjoy a number of benefits:

- (1) 1-year warranty extension
- (2) 24/7 quicker service and product support
- (3) Chance to test new products for free
- (4) Get specific discount on shop items

Register Way: Send " your name + order ID " to zzwservice@gmail.com

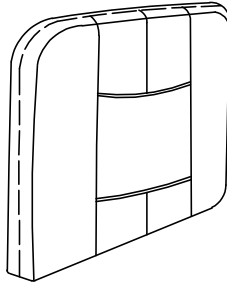
Assembly Instruction

A



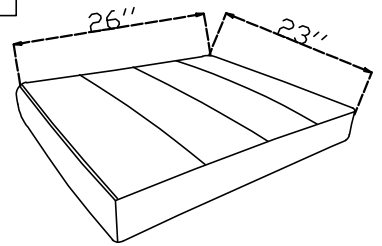
1PC

B



1PC

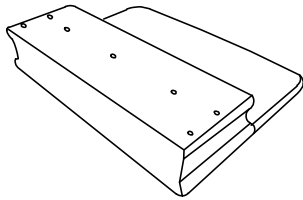
C



Tall cushion

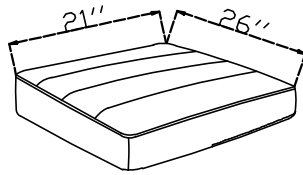
1PC

D



1PC

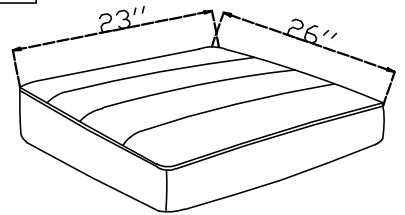
E



Short cushion

1PC

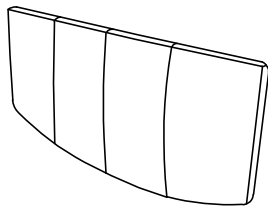
F



Tall cushion

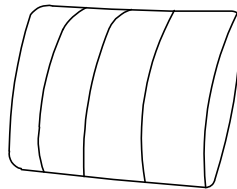
1PC

G



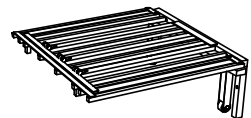
1PC

H



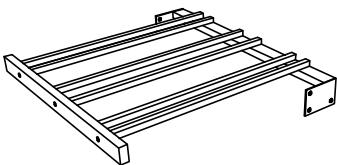
1PC

I



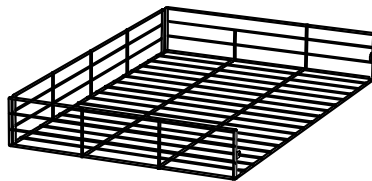
1PC

J



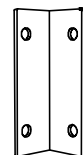
1PC

K





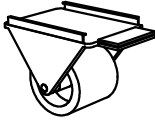

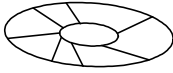
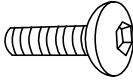
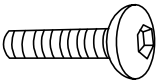
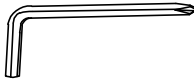
1PC

L



2PCS

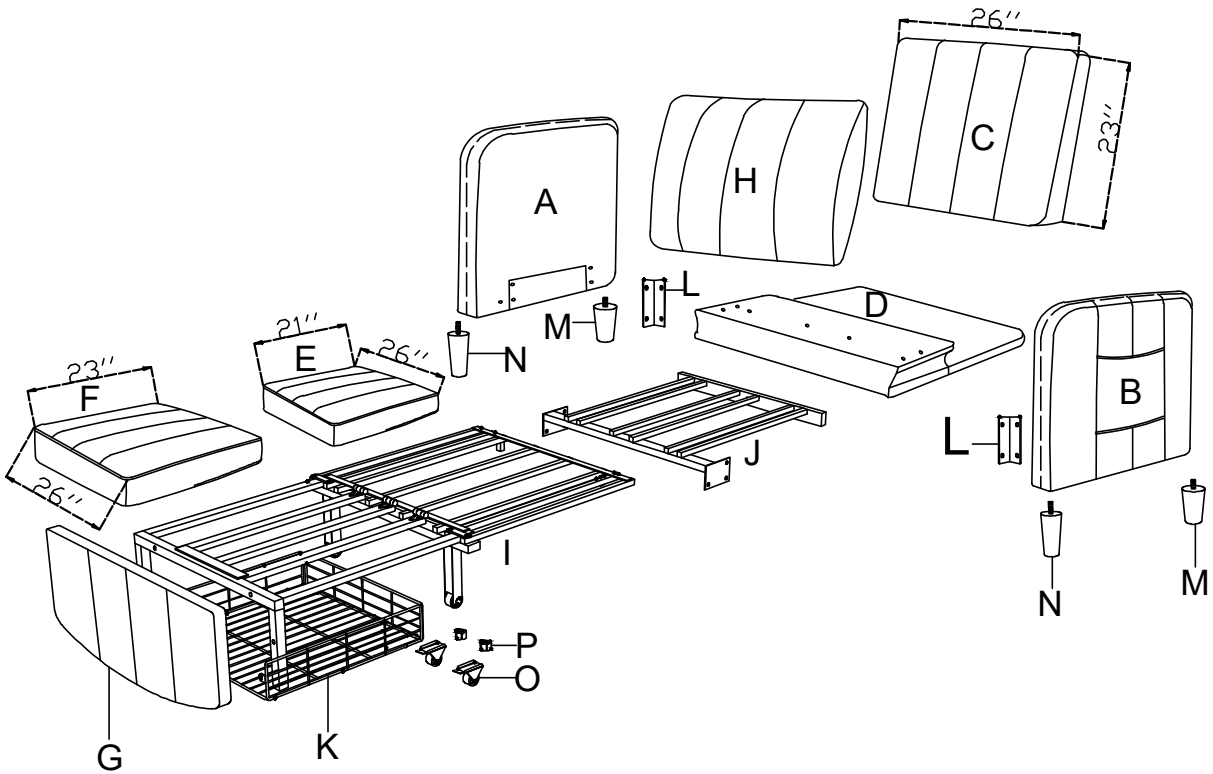
Assembly Instruction

M  Short Feet 2PCS	N  Tall Feet 2PCS	O  2PCS
P  2PCS	①  4PCS	②  M6*20mm 16PCS
③  M6*40mm 7PCS	④  1PC	

Please note: Check and make sure you get the components on the list, contact us for any missing via zzwservice@gmail.com

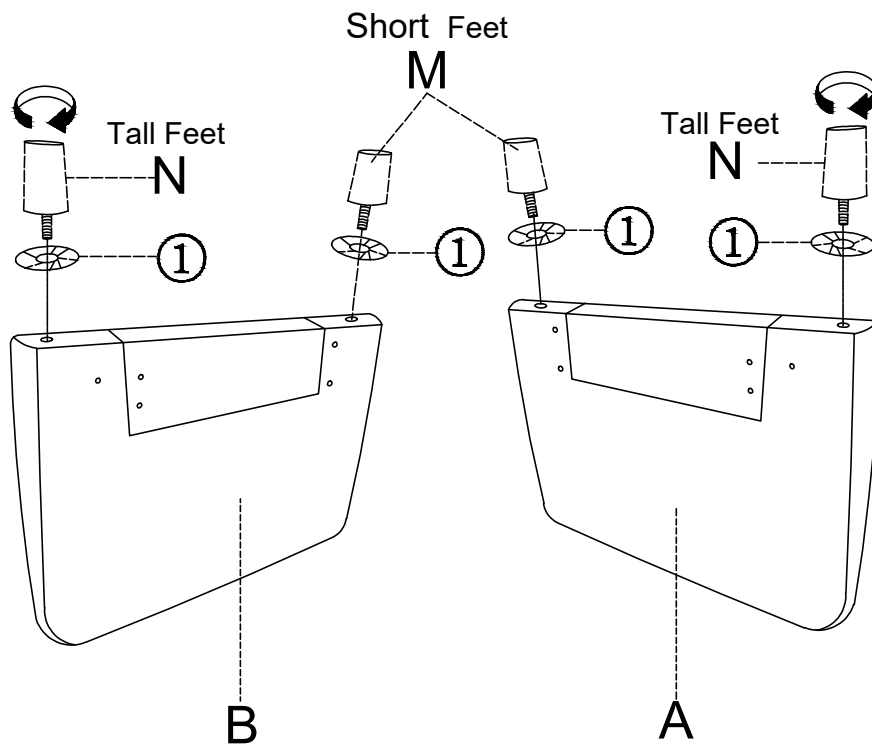
PS: All small accessories are placed inside Part E with the red wire (Accessories: M,N,O,P,L,①, ②, ③, ④)

Assembly Instruction



STEP 1

- A*1
- B*1
- M*2
- N*2
- ①*4



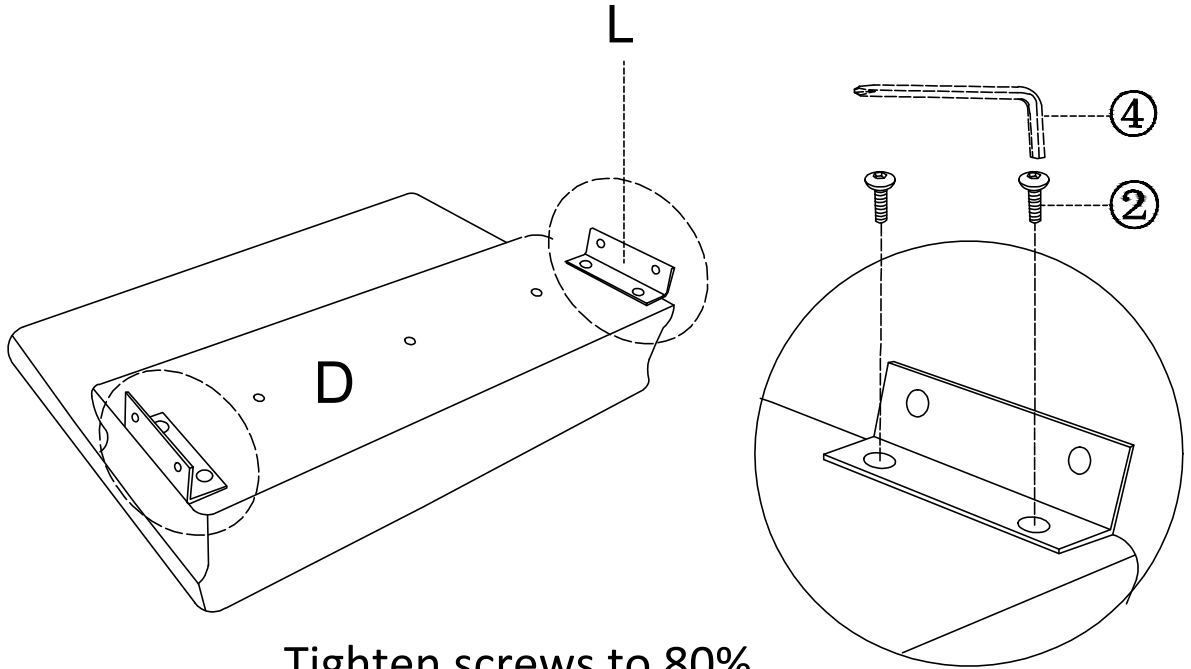
Assembly Instruction

STEP 2

L*2

②*4

④*1



Tighten screws to 80%

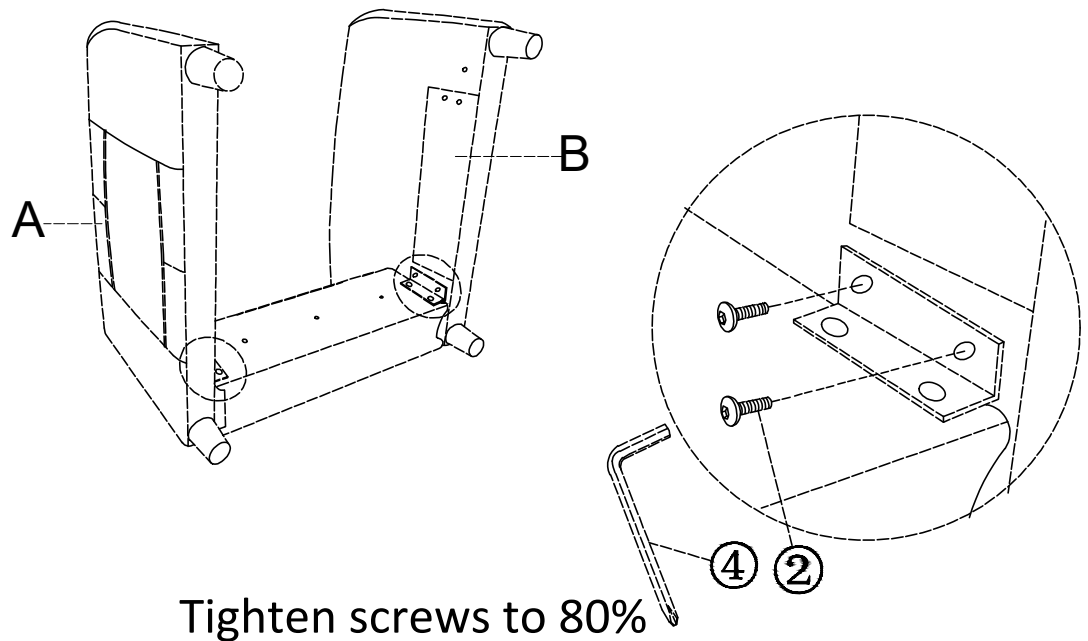
STEP 3

A*1

B*1

②*4

④*1



Tighten screws to 80%

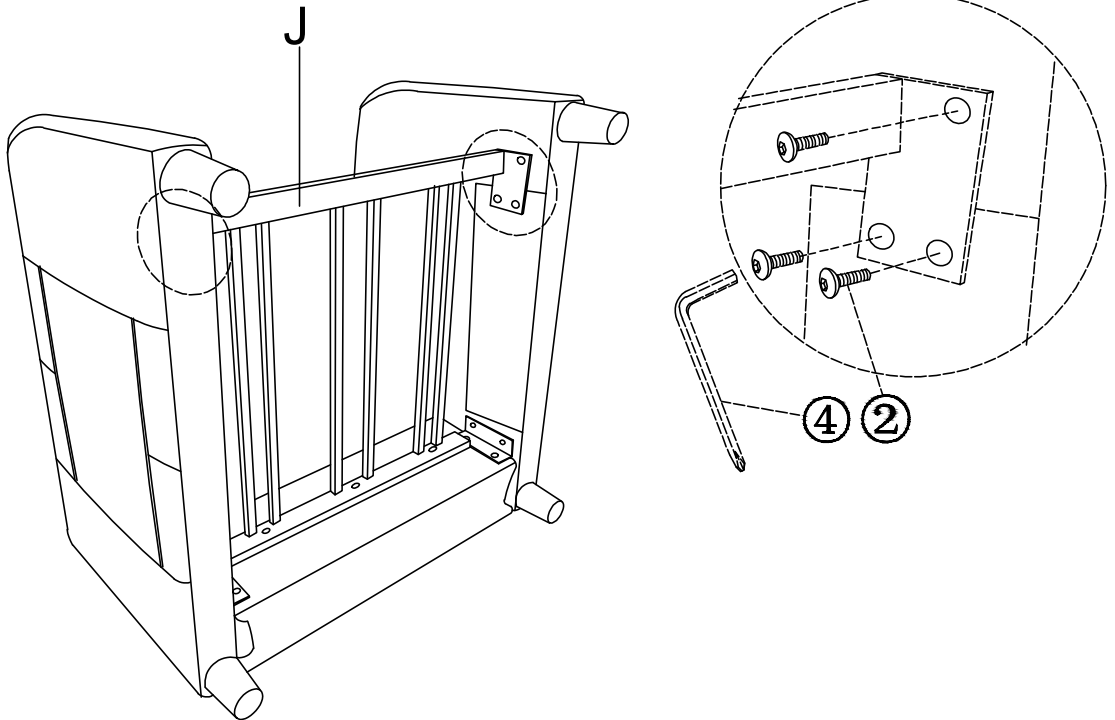
Assembly Instruction

STEP4

J*1

②*6

④*1



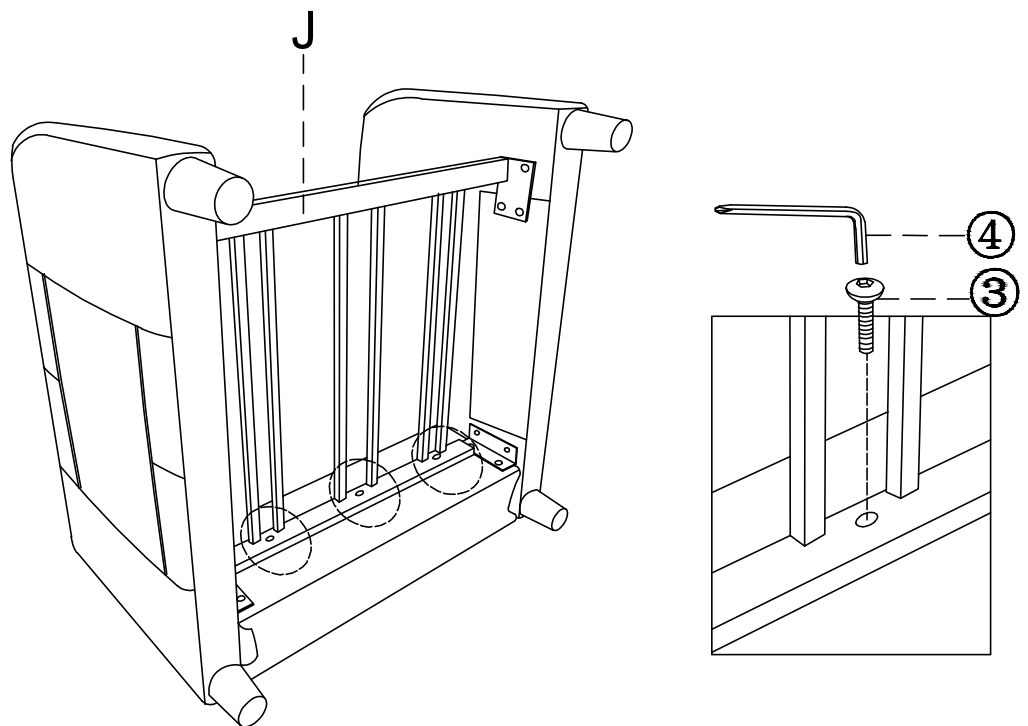
Tighten screws to 80%

STEP5

J*1

③*3

④*1



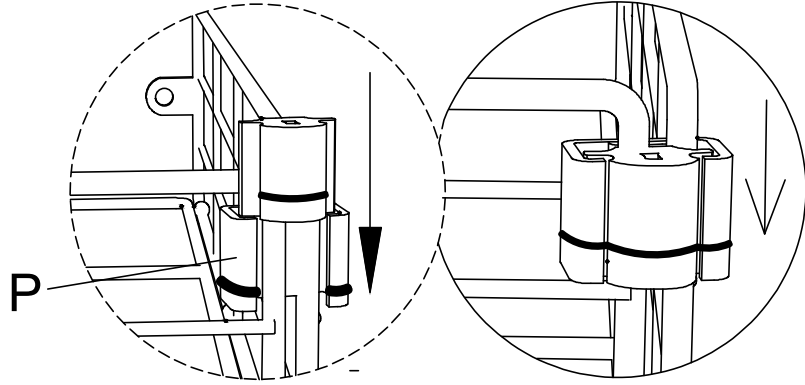
Tighten all screws to 100%

Assembly Instruction

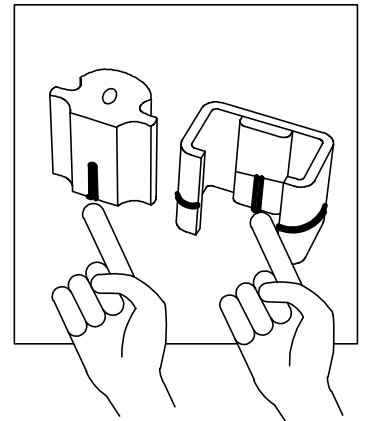
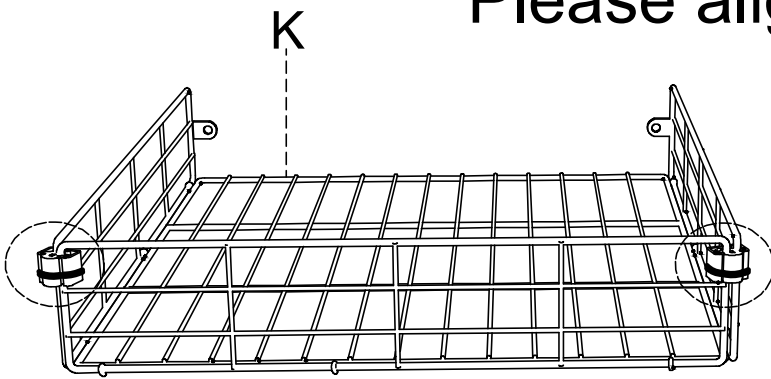
STEP6

K*1

P*2

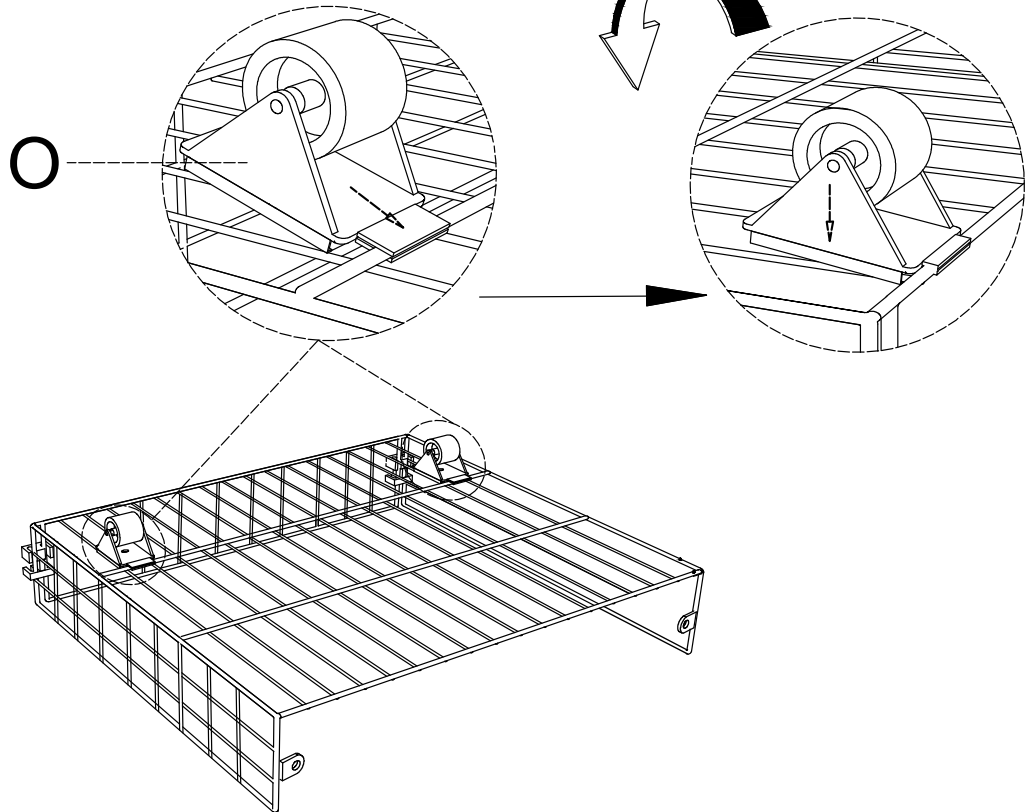


Please align the snap coils



STEP7

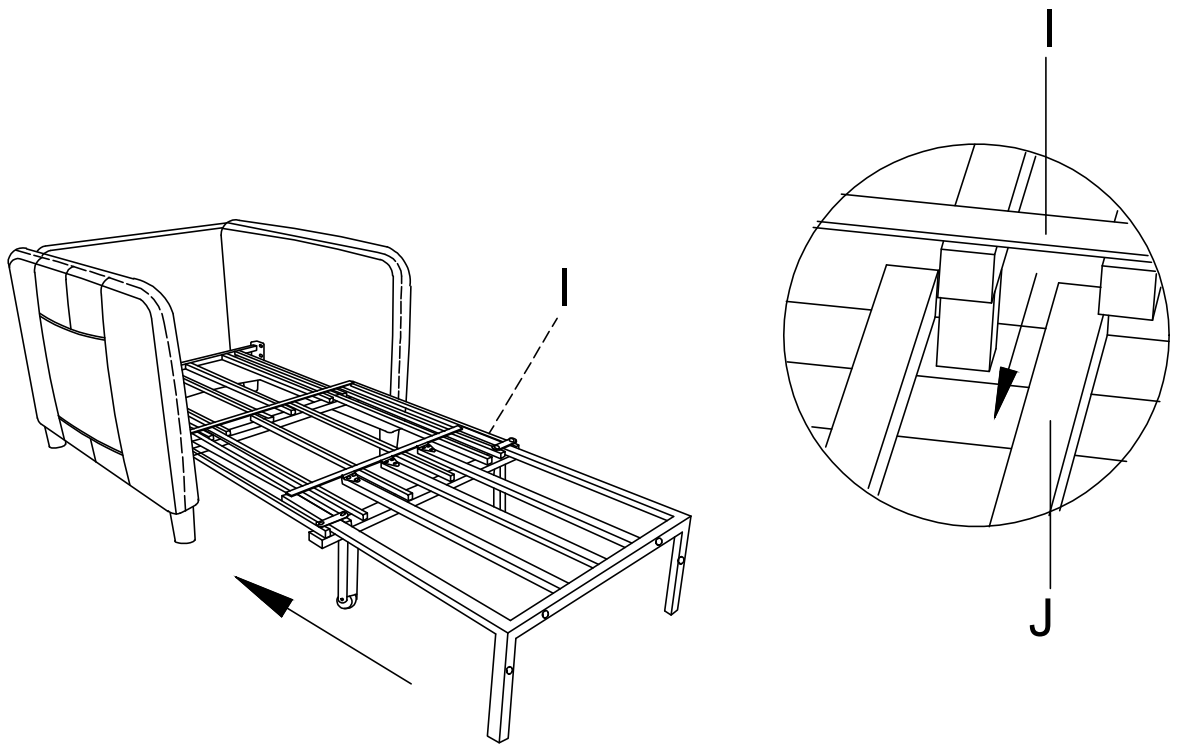
O*2



Assembly Instruction

STEP 8

I*1



STEP 9

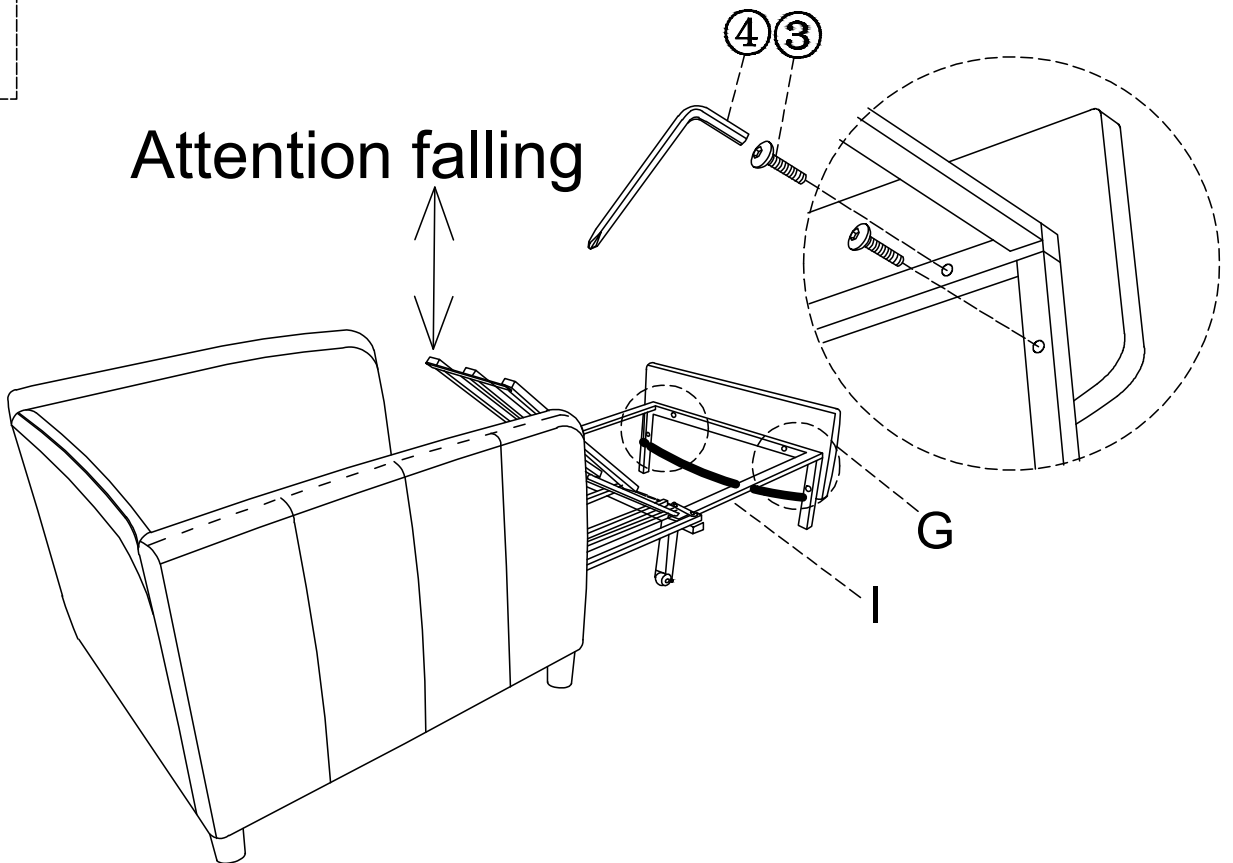
G*1

I*1

③*4

④*1

Attention falling



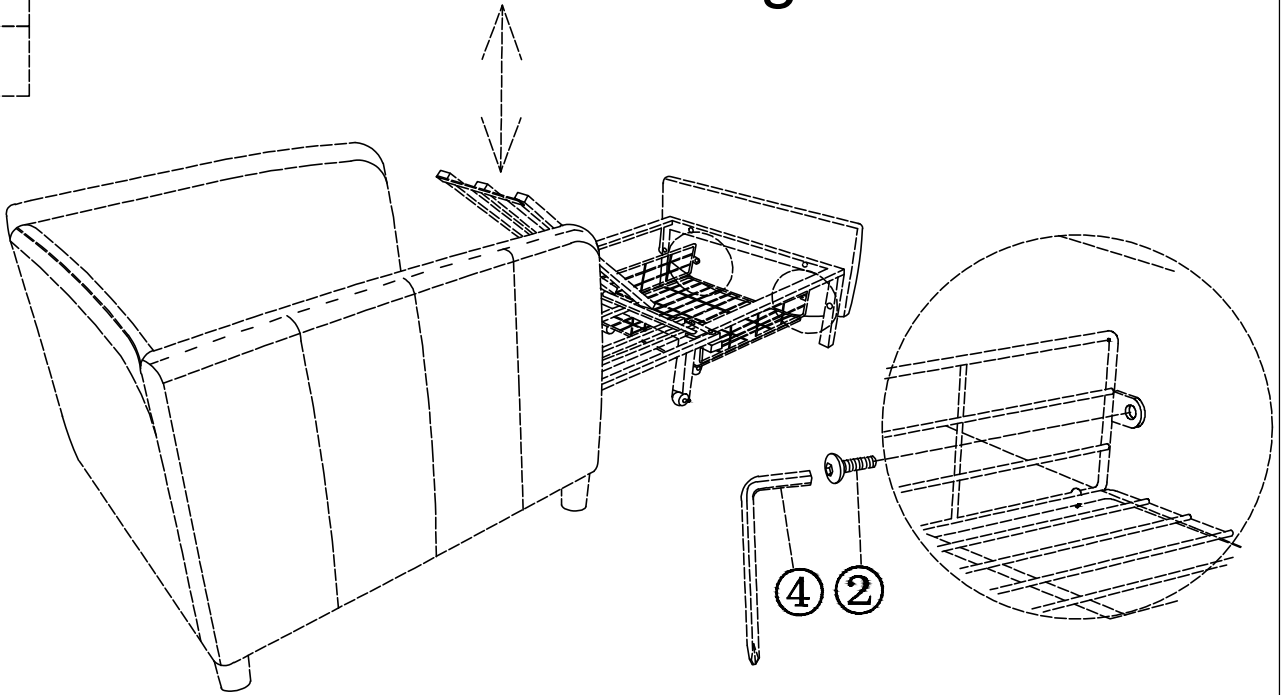
Assembly Instruction

STEP10

②*2

④*1

Attention falling

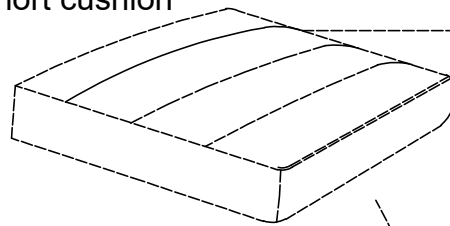


STEP11

C*1

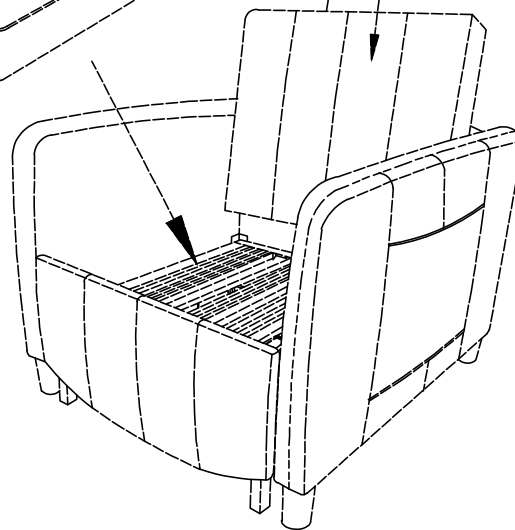
E*1

Short cushion



E C

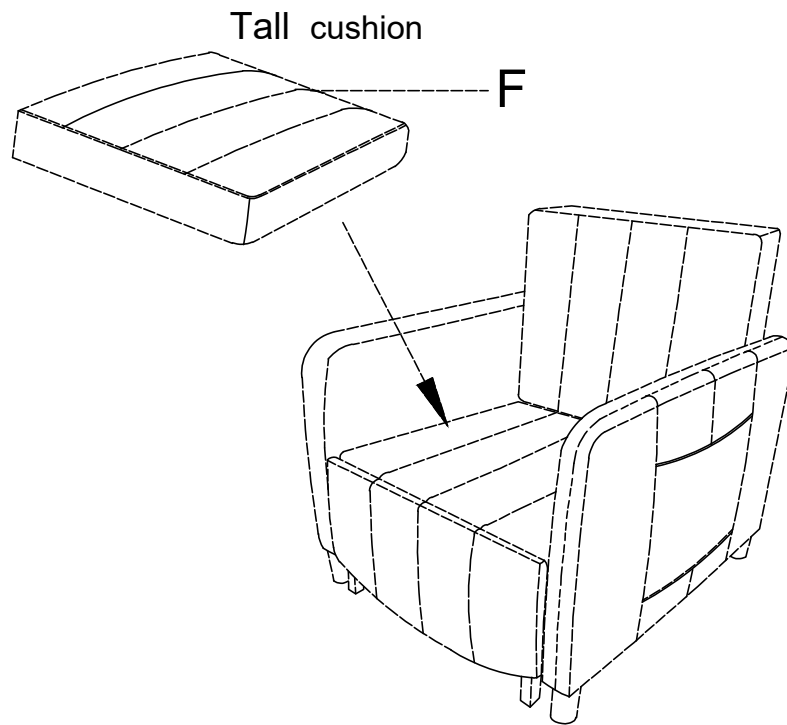
Tall cushion



Assembly Instruction

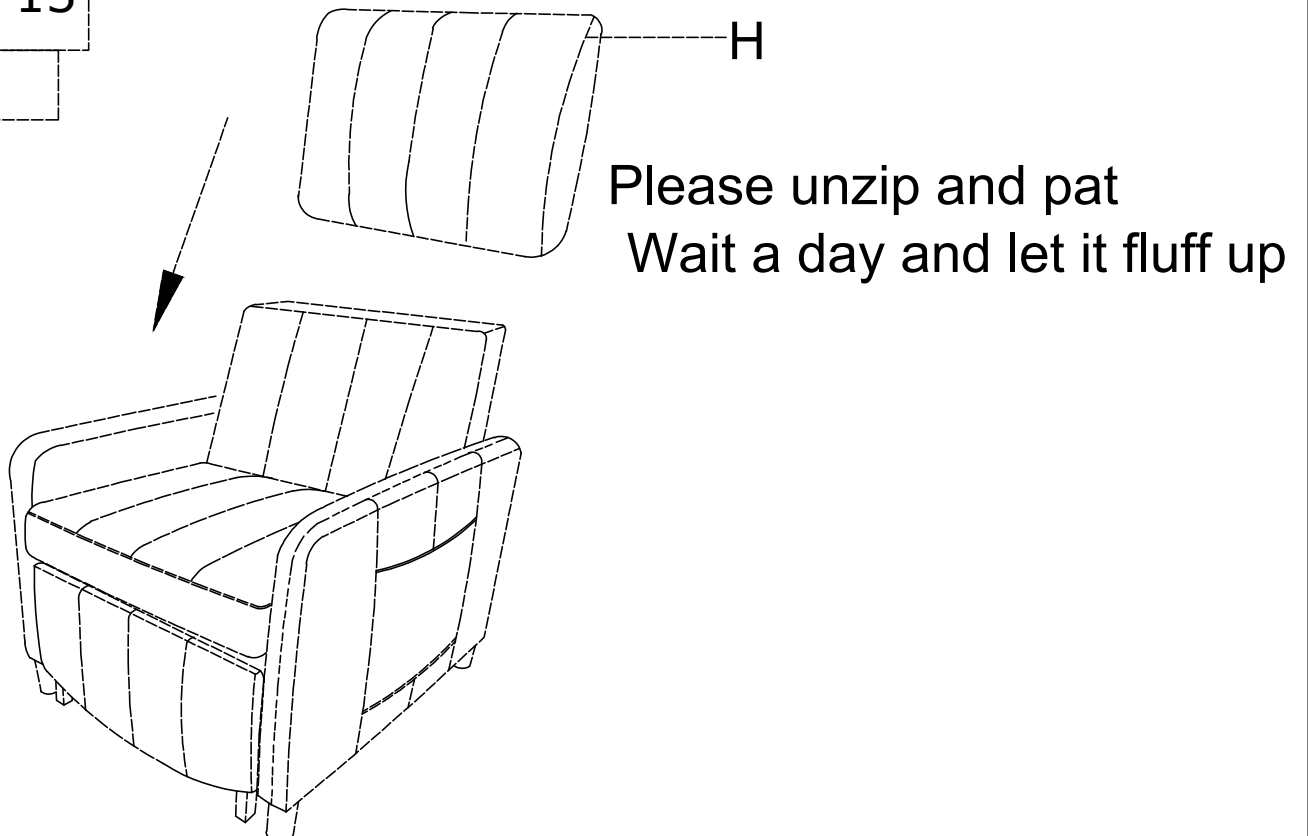
STEP12

F*1



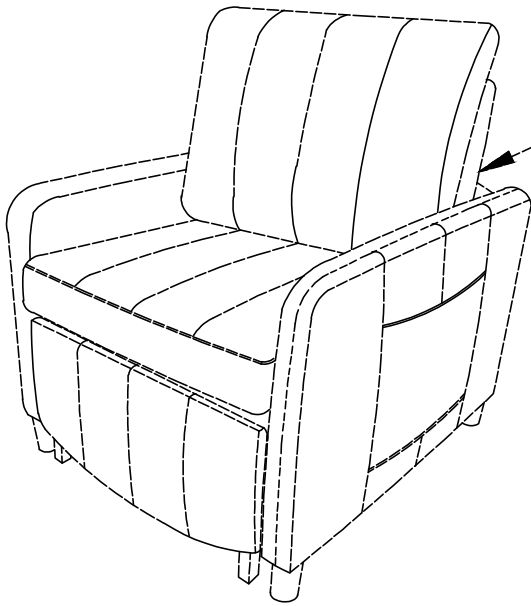
STEP13

H*1



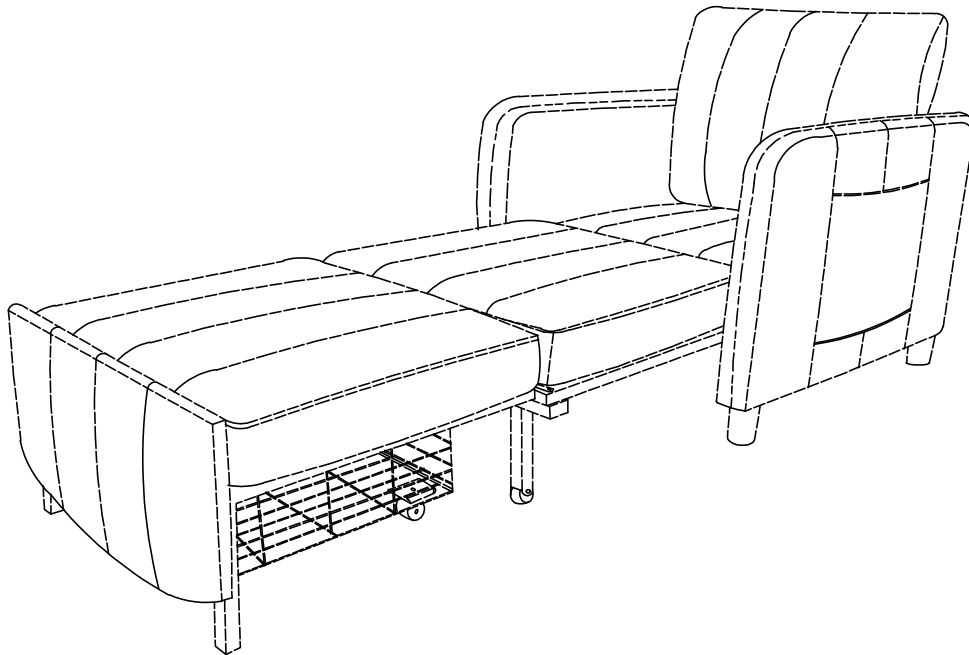
Assembly Instruction

STEP14



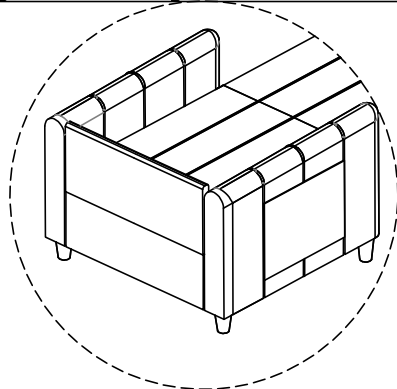
Warm Tips:
When you sit on the chair, please put Part H(Back cushion), as you will fell uncomfortable if directly lean on Part C.

STEP15



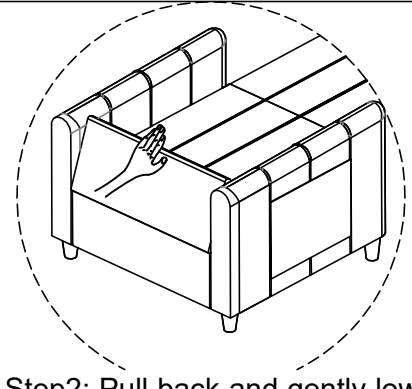
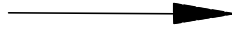
Assembly Instruction

Way to Adjust the Backrest

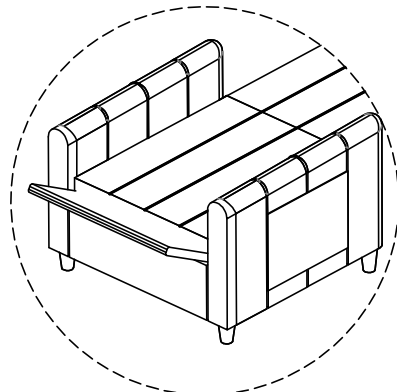


Step4: Push to the top

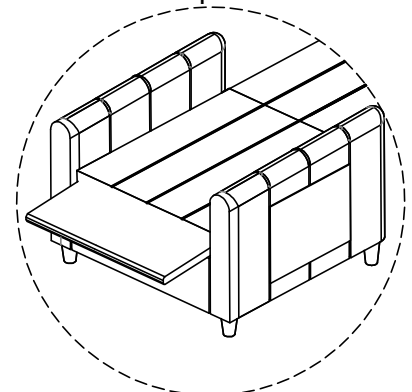
Step1: Push the backrest forward



Step2: Pull back and gently lower to a horizontal position



Step3: Push the backrest up to the suitable angle
(Multiple adjustments available)



Way to Adjust the Footrest



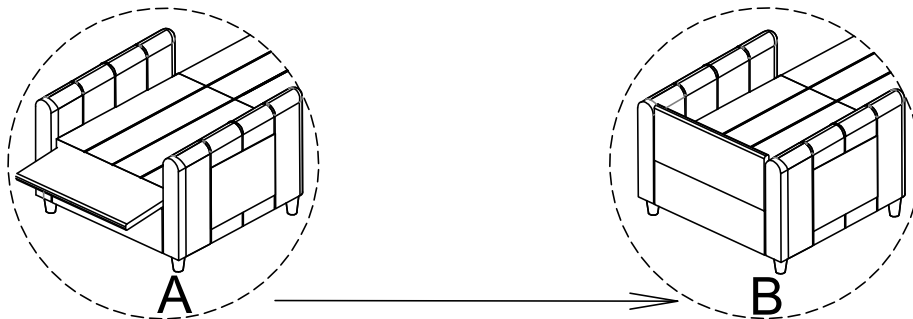
USAGE METHOD

Q1: Why the backrest just flops all the way back with no resistance?

A1:

If you would like to adjust the backrest's angle, you could adjust from A position to B position to get the suitable angle. And there are 5 clicks between A to B.

please note: B to A is not able to set the angle, and no any resistance in that way.



Q2: Why I can't fix the angle of the backrest?

A2

Please note: Just part D could help to adjust and fix the angle, the part C is just a backrest cushion, can not set a angle. Part D supports the Part C.

