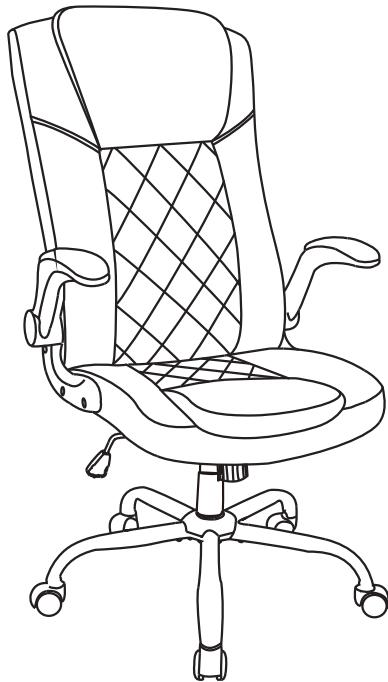


OFFICE CHAIR

ASSEMBLY INSTRUCTIONS



THANK YOU

Register and Get the Full Benefit




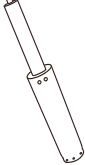
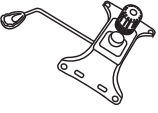
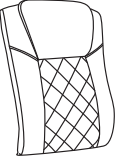







It's our way of saying thank you.

Register your product to enjoy a number of benefits:

- (1) 24-7 quicker service and product support
- (2) 1-year warranty extension
- (3) Chance to test new products for free
- (4) Get specific discount on shop items

Assembly Instruction

Parts List

A 	B 	C 	D 	E 
5PCS	5PCS	1PC	1PC	1PC
G 	H 	I₁ 	I₂ 	J  M6*30mm
1PC	1PC	1PC	1PC	8PCS
L  M6*20mm	M 	N 		
4PCS	1PC	8PCS		

Please note: Please check carefully if there are any missing parts before installation. If there are any missing parts, please place all the parts and take pictures then tell us the missing part number. We will reply you as soon as possible.

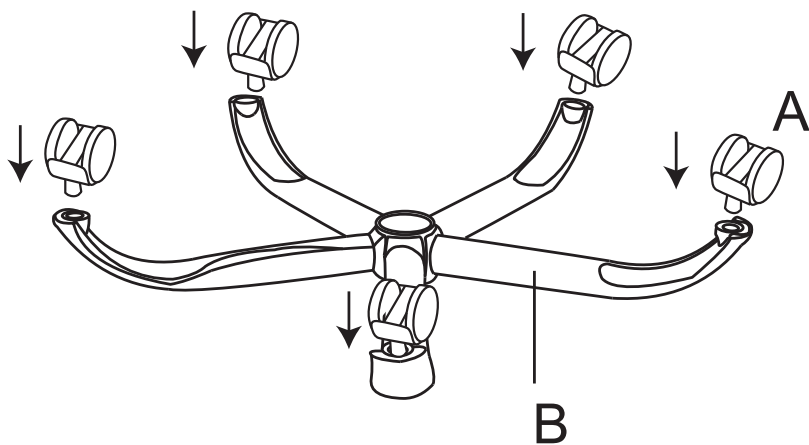
Assembly Instruction

Chair Assembly

Step 1

A*5

B*1

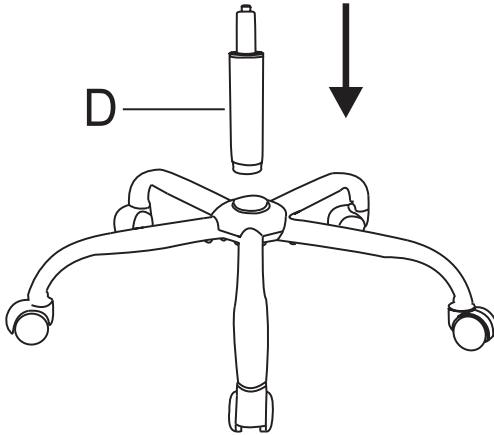


Assembly Instruction

Chair Assembly

Step 2

D*1



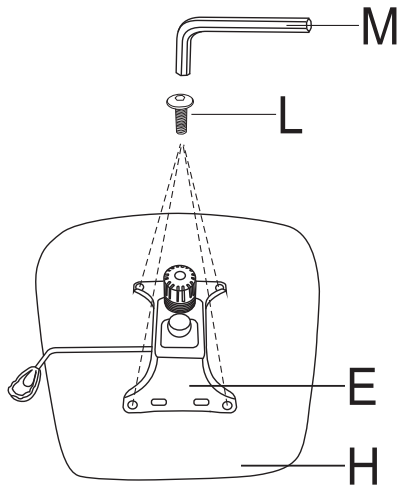
Step 3

E*1

H*1

L*4

M*1



Assembly Instruction

Chair Assembly

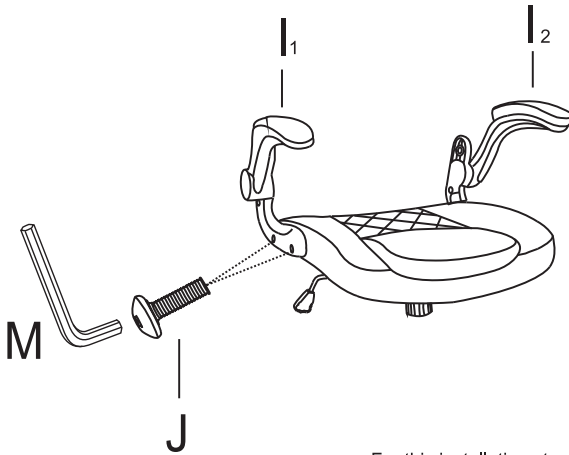
Step 4

I₁*1

I₂*1

J*4

M*1



For this installation step, please tighten the screws to 60%

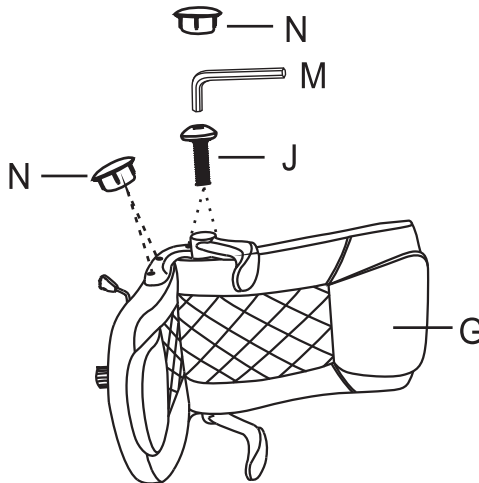
Step 5

G*1

J*4

M*1

N*8



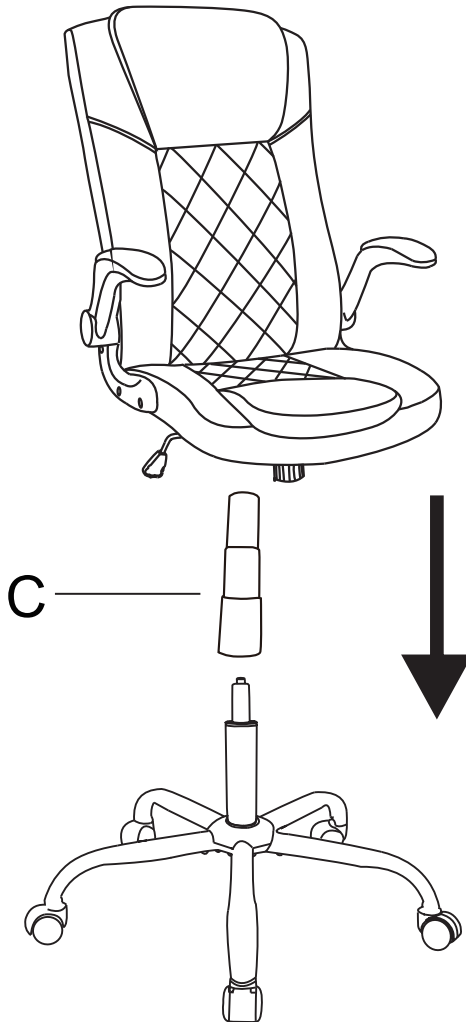
For this installation step, please tighten the screws to 100%

Assembly Instruction

Chair Assembly

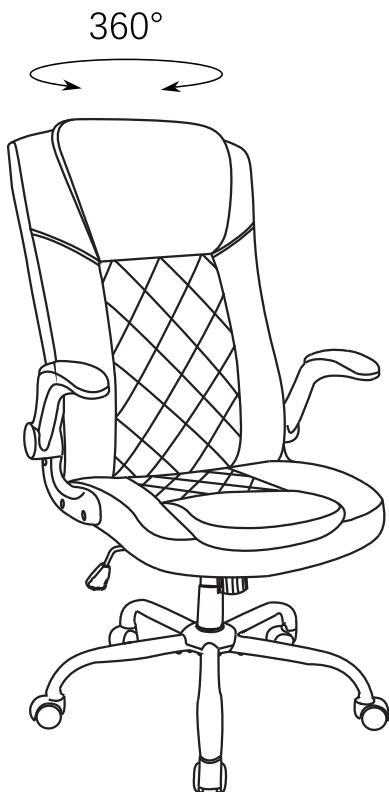
Step 6

C*1



Assembly Instruction

Chair Assembly



HEALTH CAUTION

- ⌘ If you have any concerns regarding your health, consult your doctor before using this product.
- ⌘ Individuals with pacemakers should not use this product.
- ⌘ If you experience pain in a muscle or joint for a prolonged period of time. Discontinue use and consult your doctor. Persistent pain could be a symptom of a more serious condition.

MAINTENANCE INSTRUCTIONS

TO STORE:

Place unit in its box or safe, dry, cool place. Avoid contact with sharp edges or pointed objects which might cut or puncture the fabric. Do not wrap power cord around the unit. Do not hang the unit by power cord.

TO CLEAN:

- ⌘ Insure the unit is unplugged from the power source, and allow to cool before cleaning.
- ⌘ Do not place in any liquid to clean. Clean fabric cover by wiping with a damp sponge, using a mild detergent or suds. Pat dry with clean, dry cloth.
- ⌘ Do not use abrasive cleaners, brushes, gasoline, kerosene, glass /furniture polish, paint thinner or water hotter than 120°C to clean the unit.
- ⌘ To clean the unit, make sure the massager is unplugged. Allow the unit to cool and the wipe down with a damp clean cloth. Do not use any strong chemical cleaners.