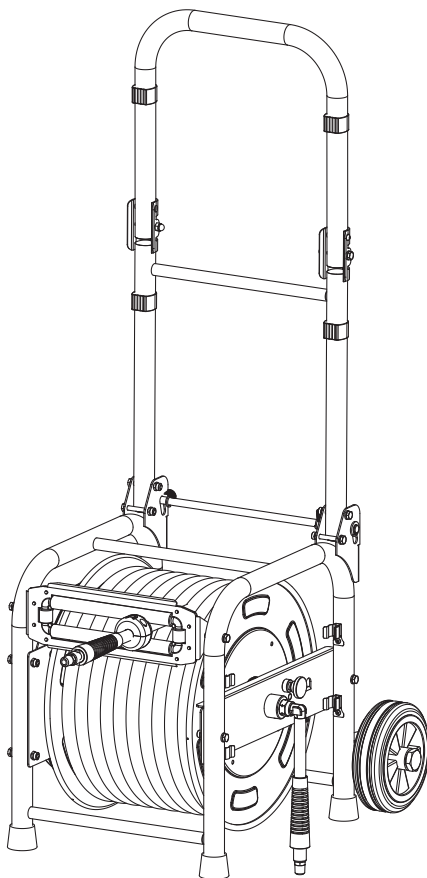




Portable Hose Reel Instruction Manual



WARNING:

Read carefully and understand all **INSTRUCTIONS** before operating. Failure to follow the safety rules and other basic safety precautions may result in serious personal injury. Save these instructions in a safe place and on hand so that they can be read when required. Keep these instructions to assist in future servicing.

INDEX

1. Safety Symbols -----	E2
2. Disclaimer -----	E3
3. Main Uses -----	E3
4. Technical Parameters -----	E4
5. Product Installation Instructions -----	E5~6
6. Debugging & Preparation -----	E7
7. Main Function -----	E7
8. Operating Instructions -----	E8~10
9. Troubleshooting -----	E11
10. Exploded and Parts List -----	E11~12
11. Daily Maintenance & Care -----	E13
12. Storage & Transportation -----	E14
13. Warranty Statement -----	E14

Safety Warning

For your own safety, please always adhere to the following precautions when using this product. Failure to comply with these requirements may result in bodily injury or even death.

General Precautions

1. Ensure that the inlet pressure does not exceed the rated pressure.
2. Use appropriate safety goggles when assembling and using the reel.
3. Assemble the reel on a clean workbench to avoid debris and moisture.
4. Use soapy water to check for leaks.
5. Keep children away from the work area.

Injection Hazards

High-pressure fluids or gases ejected from components such as spray guns and hoses can cause skin injuries. Seek immediate medical attention, as this may lead to amputation. Please follow these operational guidelines:





1. Do not point the hose outlet at anyone.
2. Do not cover the hose outlet with your hand.
3. Do not use your hand, body, gloves, or rags to block or redirect leaks.
4. Disconnect the air source when not spraying.

Product Usage Precautions

1. Any improper operation of the product may cause damage or malfunction, leading to loss of functionality.
2. The product is intended for use by professionals only.
3. The product is to be used only for its specified purposes. For any other applications, please contact the manufacturer or authorized representative in advance.
4. Do not alter the structure of the product without authorization. If parts need to be replaced, only use specified spare parts and accessories.
5. Do not use the product near open flames. Do not smoke during this operation.
6. After pulling out the tube, be sure to tighten the limit knob securely.
7. Do not put your hand into the gap or the area between the bottom folding part and the hose reel when folding the handle to prevent injury from the falling handle.

1. Safety Symbols

The following symbols are used on this product. Please read and understand their meanings carefully. A proper understanding of these symbols will help you operate this product safely and responsibly.

Symbol	Definition
	<p>1. Fire and Explosion Hazards</p> <p>Flammable fumes in the work area may cause fire and explosion; therefore:</p> <ul style="list-style-type: none">• This equipment should only be used in a well-ventilated environment.• Keep all sources of ignition and objects that may generate static electricity clear.• Maintain a clean working area.• Ensure that this equipment is properly grounded.• If static sparks occur or if you feel an electric shock, immediately stop operation. Do not use this equipment until the issue has been identified and corrected.• An effective fire extinguisher should be available in the work area.
	<p>2. Injection Hazards</p> <p>High-pressure fluids ejected from components such as spray guns and hoses can cause serious skin injuries. Immediate medical attention is required, as failure to do so may result in amputation. To ensure safe operation, please adhere to the following guidelines:</p> <ul style="list-style-type: none">• Never point the spray gun nozzle at anyone.• Do not place your hand over the spray gun nozzle.• Avoid using your hands, body, gloves, or rags to block or redirect leaks.• Lock the spray gun trigger when not in use.• Before performing any other operations, such as cleaning, inspecting, or maintaining the equipment, disconnect the air supply and relieve pressure according to the instructions after stopping spraying.
	<p>3. Equipment Misuse Hazards</p> <p>Misuse of the equipment can lead to serious injuries or fatalities. It is essential to use the equipment correctly:</p> <ul style="list-style-type: none">• Do not operate this equipment when fatigued, or after using drugs or alcohol.• The maximum working pressure or temperature during operation must not exceed the minimum rated values of all system components.• Inspect the equipment daily; any worn or damaged parts should be repaired or replaced immediately.• Do not modify or alter this equipment in any way.• Keep children and animals away from the work area.• Use this equipment only in compliance with safety regulations.
	<p>4. Caution: Risk of Pinching Hands</p> <p>Improper operation when folding the product handle may cause a hand-pinching risk; standardize operation.</p> <ul style="list-style-type: none">• Do not put hands into the gap during folding.

2. Disclaimer

Before operating this product, please read and understand all instructions carefully. You may only operate this product after strictly adhering to safety precautions and other basic safety measures. The company is not responsible for any personal injury or property damage caused by human error or improper use.

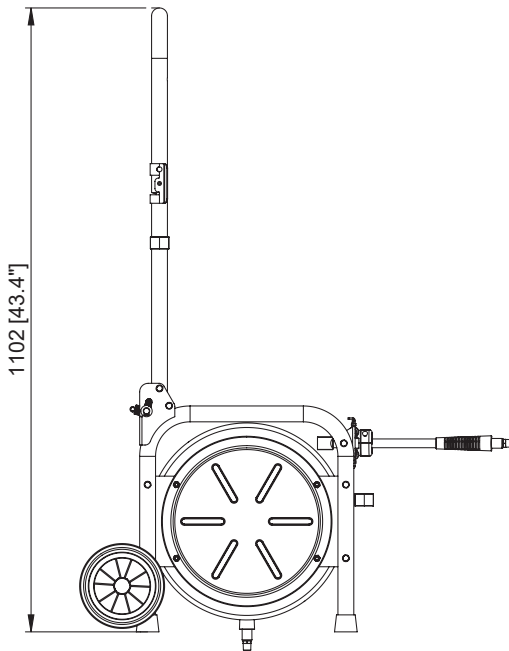
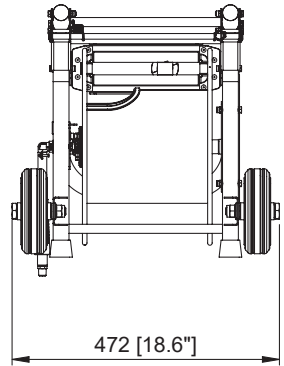
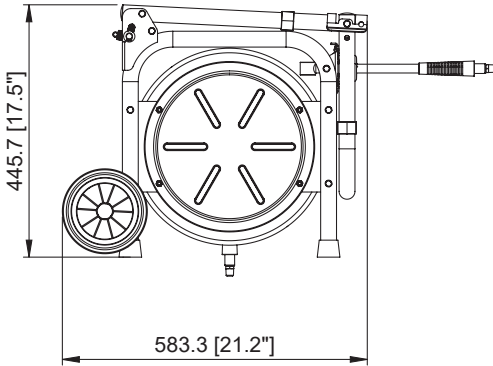
3. Main Use

The reel is primarily used for the transportation of air and can extend the hose to the required length for operation, which can then be retracted after use. Specific applications include, but are not limited to, the following areas:

- 1) **Factory Workshop Storage:** It helps prevent hoses from piling up or being scattered on the floor, reducing safety hazards, improving work efficiency, and enhancing the working environment. For example, in automotive manufacturing plants, it is used to organize and store air hoses.
- 2) **Automotive Aftermarket 4S Shops and Repair Shops:** In automotive maintenance shops, it facilitates maintenance personnel in accessing and organizing various tool connection hoses.
- 3) **Construction Machinery Equipment:** It is applied in cranes, road recycling equipment, street sweepers, drainage vehicles, fire trucks, shield tunneling machines, and other construction machinery. It delivers the necessary energy media, such as hydraulic oil and air, to these machines, making it easier to use and manage the equipment in different working positions and scenarios.
- 4) Suitable for transfer air and is prohibited from transferring other media. It is applicable to construction and decoration sites, both indoor and outdoor scenarios. It enables users to conveniently and quickly access the media permitted by the product, and can extend the hose to the length required for operation, which can be retracted after use.

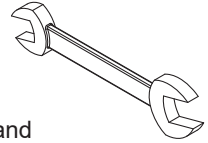
4. Technical Details

SKU#	Ref. No.	Max. Pressure	Inlet/Outlet	Hose Capacity		
				Material	I.D.	Length
GUR090	HR829.01	300PSI	1/4" NPT	Hybrid Polymer	3/8"	100ft.



5. Product Installation Instructions

1) Required tools: 16mm, 19mm, 20mm, 21mm, 27mm wrenches.



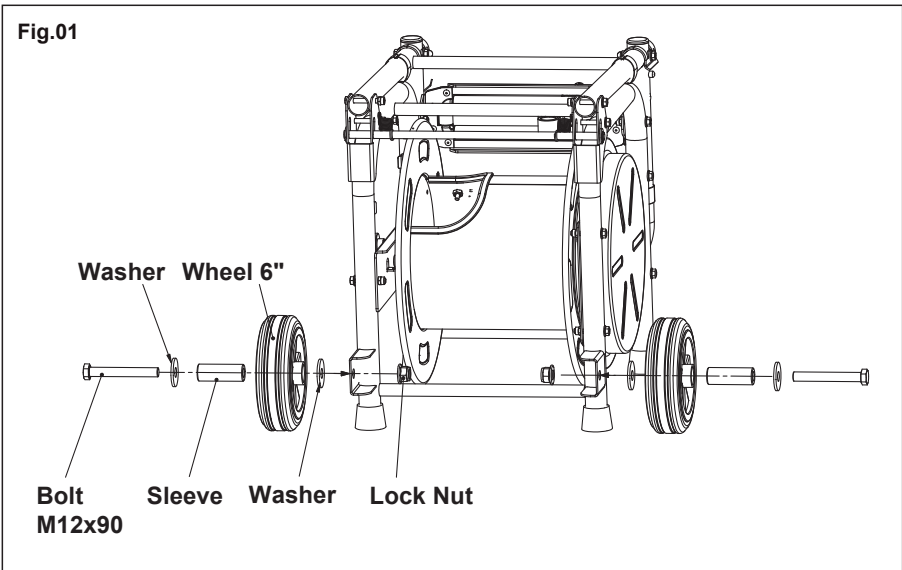
2) To set up the product, install the wheels, inlet hose assembly, and quick-connect connector first.

Attachment List:

Part No.	Description	Q'ty
1	Quick-connect Female Connector	1
10	Inlet Hose Assembly	1
29	Quick-connect Male Connector	1
36	Bolt M12x90	2
37	Washer	4
38	Wheel 6"	2
39	Sleeve	2
40	Lock Nut	2

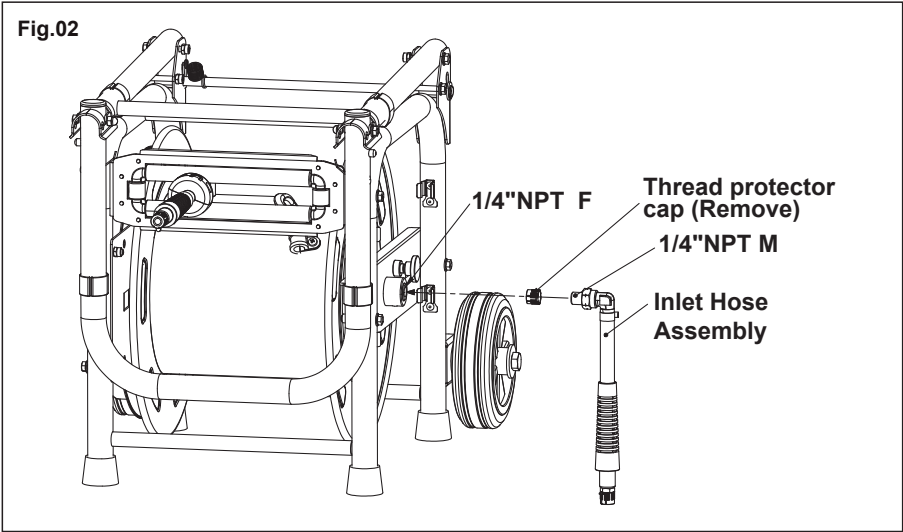
Step 1: Install the wheels

Insert the sleeve into the wheel. Place a washer on each side. Insert the bolt through the assembly and the mounting hole, and secure it with the lock nut. **(Fig.01)**



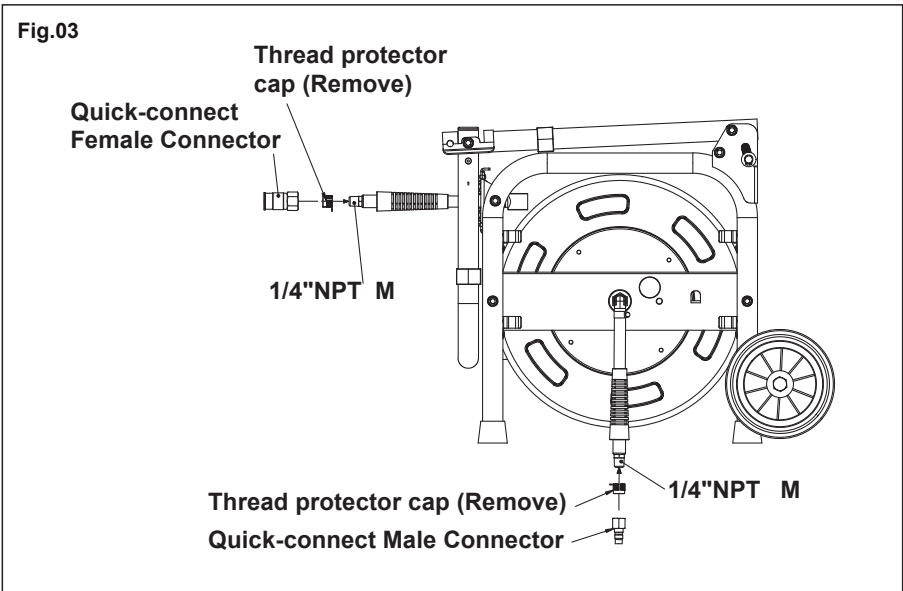
Step 2: Install the Inlet hose assembly

Remove and discard the thread protector cap , thread wrapped with PTFE tape sealed, then tighten Inlet Hose Assembly to the 1/4" F connector. **(Fig.02)**



Step 3: Install the quick-connect connector

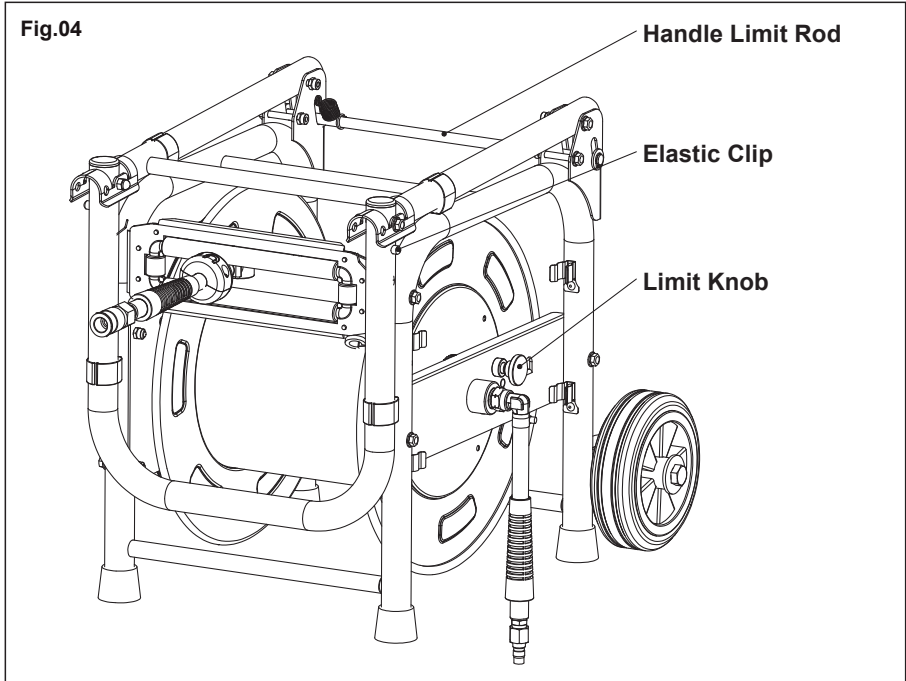
Remove and discard the thread protector cap , thread wrapped with PTFE tape sealed, install Quick-connect Female Connector on the outlet hose end, and install Quick-connect Male Connector on the inlet hose end. **(Fig.03)**



6. Debugging & Preparation

- 1) Ensure that the inlet and outlet connections are securely fastened and leak-free.
- 2) Ensure that there is sufficient supply of the medium.
- 3) Check if the limit knob rotates smoothly.

7. Main Function (Fig.04)



- 1) **Limit Knob:** Prevents accidental hose retraction. Use when needed.
- 2) **Handle Limit Rod & Elastic Clip:** For handle extension and folding.

8. Operating Instructions

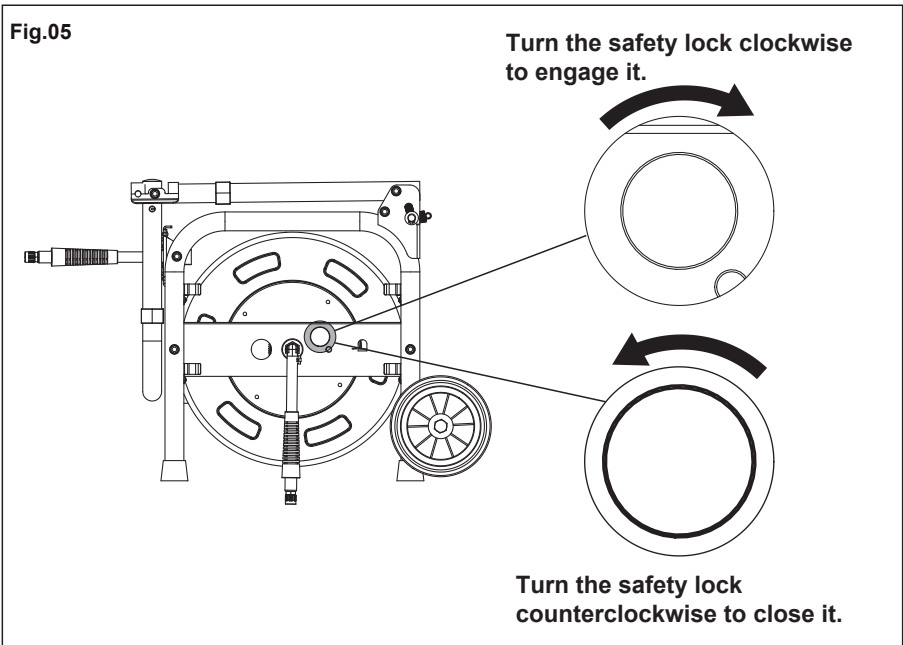
Pulling Out and Retracting the hose

- 1) Place the product on a relatively level surface to prevent it from tipping over, then pull out the hose
- 2) After pulling the hose out to the required length, adjust it until the latch locks securely.
- 3) When retracting the tube, gently pull the tube to unlock the latch, and then the hose can be retracted.

Safety Lock

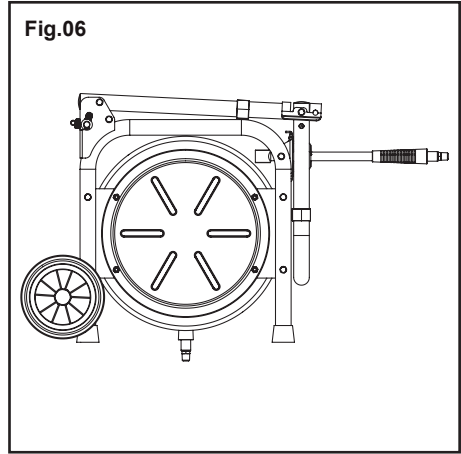
To prevent the hose from being retracted due to mis-operation, go to the product and rotate the limit knob clockwise until it can no longer be turned with slight force, then manually pull the hose gently to check if the hose retraction restriction function works.

When retracting the hose, go to the product and rotate the limit knob counterclockwise until it can no longer be turned with slight force; the hose can be retracted after unlocking. (Fig.05)

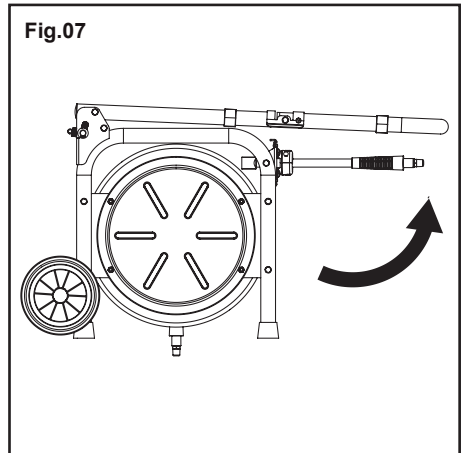


Moving the Product by Pulling

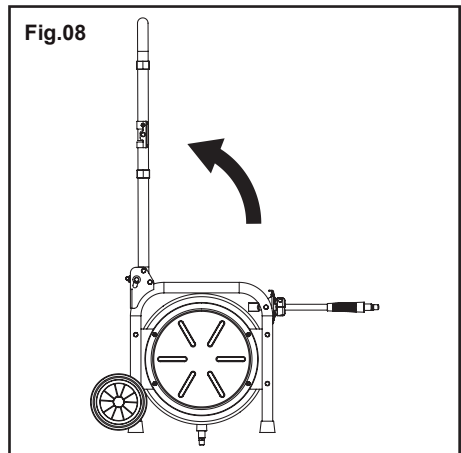
1. The product is in the state shown in **Fig.06** when stationary.



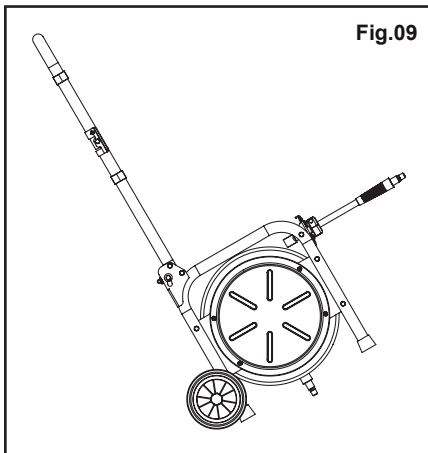
2. Before use, first flip the handle for the first time as shown in **Fig.07**.



3. Then flip the handle for the second time to fully unfold it, as shown in **Fig.08**.

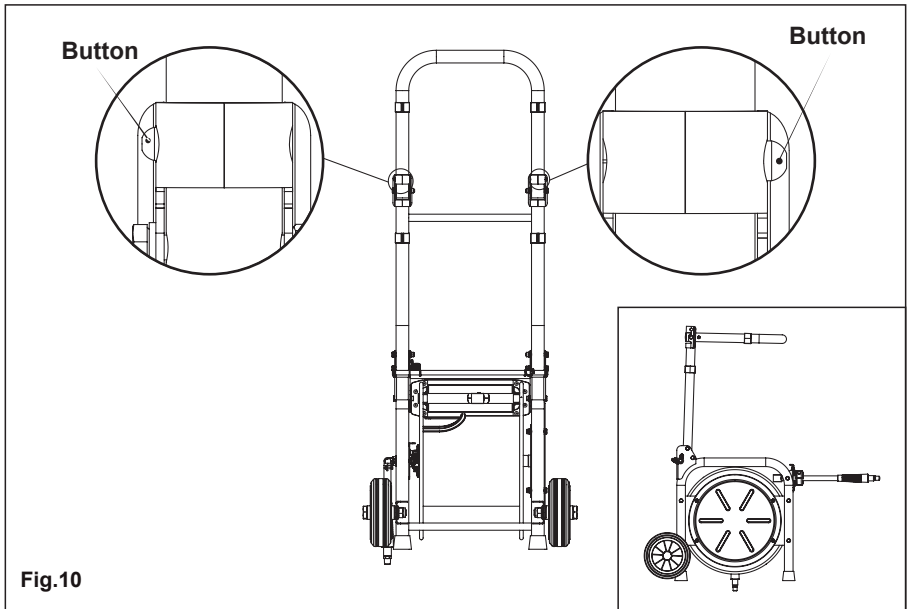


4. Tilt the product to a certain angle and then it can be pulled to move, as shown in **Fig.09**.

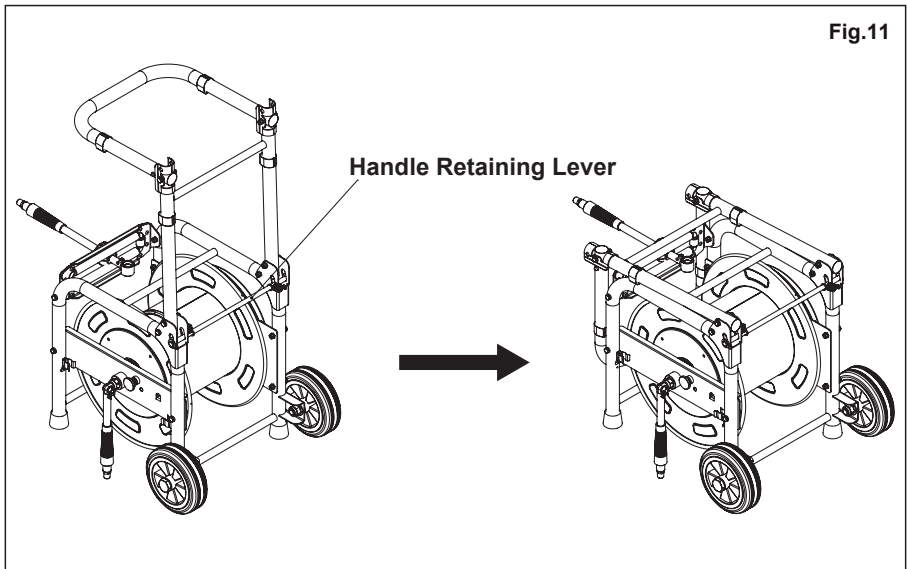


Folding the Handle

1. Press the buttons on both sides of the handle to fold and retract the handle for the first time; be careful to avoid pinching or crushing your hand (**Fig.10**).



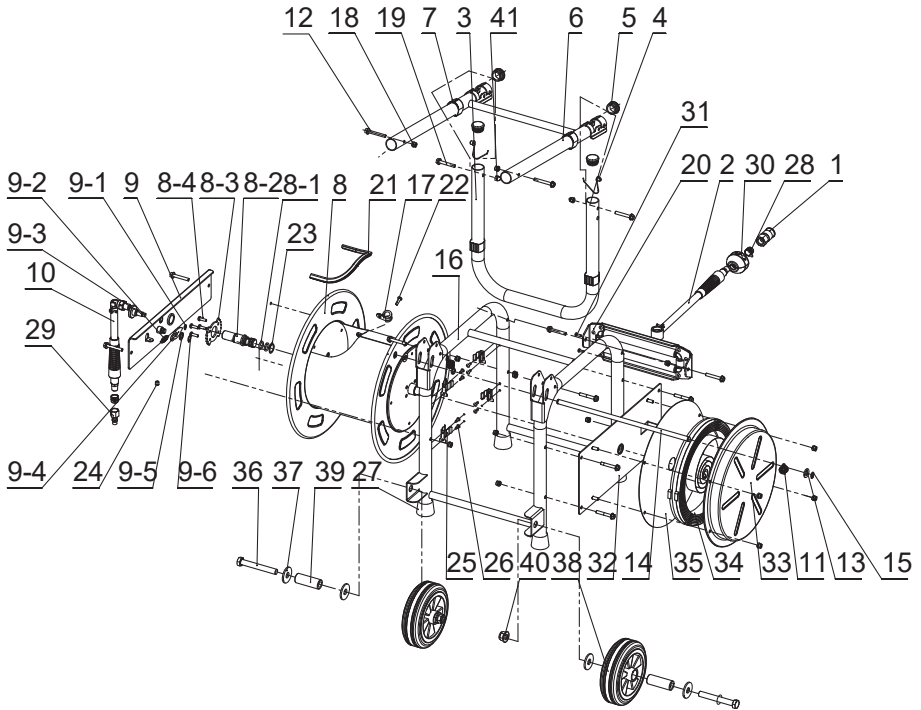
2. Press down the handle limit lever to fold the handle for the second time (**Fig.11**).



9. Troubleshooting

Symptom	Possible Cause	Troubleshooting Method
Unable to pull out or retract the tube.	Limit knob is in the tightened state.	Adjust the limit knob to the unscrewed state.
Unable to retract the handle.	Handle limiting rod is not pressed down.	Press down the handle limiting rod.
	Button is not pressed.	Press the button.

10. Exploded and Parts List



Part No.	Description	Q'ty	Part No.	Description	Q'ty
1	Quick-connect Female Connector	1	17	Hose Clamp	1
2	Hose Assembly	1	18	Lock Nut	16
3	U-shaped Handle	1	19	Bolt M6x40	12
4	Elastic Clip	2	20	Guide Bracket	1
5	Hose Plug	4	21	Decorative Strip	1
6	Handle	1	22	Screw M5x16	1
7	Open Plastic Sleeve	4	23	Elastic Retaining Ring	1
8	Drum Assembly	1	24	Screw	1
8-1	*O-ring	2	25	Plate	4
8-2	Valve core	1	26	Rivet	8
8-3	Ratchet plate	1	27	Foot Pad	4
8-4	Screw M5x16	4	28	Protective cap	3
9	Support Plate	1	29	Quick-connect Male Connector	1
9-1	Inlet Hose Assembly	1	30	Stopper Block	1
9-2	Tension Spring	1	31	Self-tapping Screw Pt4.0x12f	2
9-3	Limit Knob	1	32	Support Plate	1
9-4	Latch	1	33	Spring Plate	1
9-5	Washer	1	34	Spiral Spring	1
9-6	Elastic Retaining Ring	1	35	End Cover	1
10	Inlet Hose Assembly	1	36	Bolt M12x90	2
11	Limit Rod Tension Spring	2	37	Washer	4
12	Bolt M6x45	2	38	Wheel 6"	2
13	Washer	2	39	Sleeve	2
14	Handle Limit Rod	1	40	Lock Nut	2
15	Elastic Retaining Ring	2	41	Domed Nut	2
16	Bracket Assembly	1			

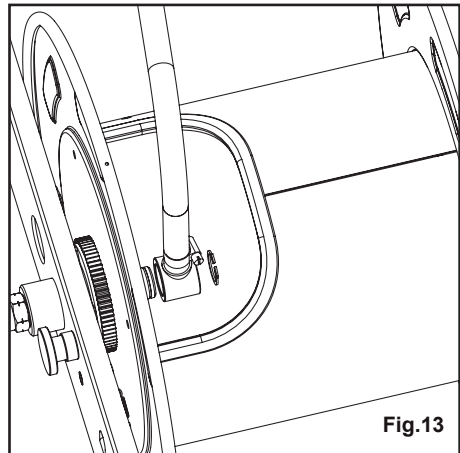
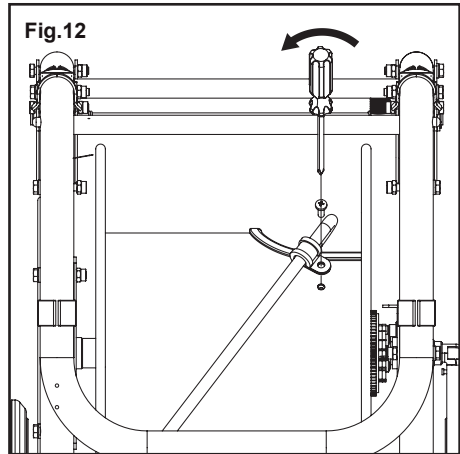
*** The sealed parts of No.8-1 are vulnerable parts.**

11. Daily Maintenance & Care

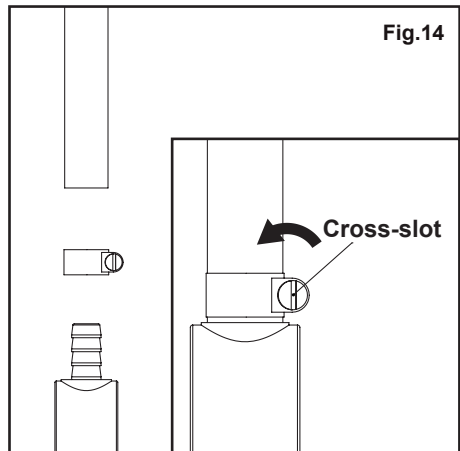
During regular use, please check that the hose connections are secure and not loose to ensure safety. Inspect the hose for signs of aging to prevent potential ruptures and ensure personal safety.

Steps for Replacing the Hose

1. After pulling out the hose, adjust the ratchet to the locked state and then unlock the safety lock to prevent the reel from rewinding.
2. Use a Screwdriver to unscrew the hose clamp counterclockwise (**Fig.12**).
3. Use a snap ring plier to remove the snap ring, then take out the tail of the hose (**Fig.13**).



4. Use a flathead screwdriver to loosen the hose clip counterclockwise, and the hose can be separated from the connector (**Fig.14**).
5. The hose installation is the reverse of the disassembly process; simply install the new hose in place. After disabling the safety lock function, manually assist the hose to retract slowly.



12. Storage & Transportation

- 1) During transportation, avoid direct sunlight exposure, prevent rain, and avoid drops. Do not allow contact with corrosive substances or mixed storage with them.
- 2) Storage temperature range: -10°C to +40°C.
- 3) Storage period is 6 months.
- 4) Ensure the storage area is well-ventilated and avoid direct sunlight exposure.
- 5) Prevent rain exposure, avoid contact with corrosive substances or mixed storage, and maintain a distance of at least 1 meter from heat sources.

13. Warranty Statement

- 1) The manufacturer guarantees that the hose reel is free from defects in materials and workmanship, with a warranty period of 12 months from the date of purchase.
- 2) If the hose reel includes a hose, the hose and O-rings are considered normal wear parts and are not covered under warranty.
- 3) The manufacturer's liability is limited to the replacement or repair of defective materials within the warranty period, provided that the materials are returned to the distributor or its designated service station, with shipping costs borne by the buyer.
- 4) The warranty does not cover damages caused by accidents, misuse, or improper installation.



Goodyear (and Winged Foot Design) are trademarks of or licensed to
The Goodyear Tire & Rubber Company used under license by
Intradin (Shanghai) Machinery Co, Ltd.
© 2026 The Goodyear Tire & Rubber Company

Support Line: 1-866-493-0524
Email: help@greatcircleus.com
www.greatcircleus.com