



Heavy-Duty Park Style Grills

OWNER'S MANUAL



WARNING:

Carefully read and understand all **ASSEMBLY AND OPERATION INSTRUCTIONS** before operating. Failure to follow the safety rules and other basic safety precautions may result in serious personal injury.

Model # OTF-20208PGL

Model # OTF-15158PGL

Thank you very much for choosing this product! For future reference, please complete the owner's record below:

Model: _____ Purchase Date: _____

Save the receipt, the warranty, and these instructions. It is important that you read the entire manual to become familiar with this product before you begin using it.

This product is designed for certain applications only. The manufacturer cannot be responsible for issues arising from modification. We strongly recommend that this product not be modified and/or used for any application other than that for which it was designed. If you have any questions relative to a particular application, DO NOT use the product until you have first contacted us to determine if it can, or should, be performed on the product.

For technical questions, please call **1-218-943-6290**.

INTENDED USE

Heavy-Duty Park Style Charcoal Grills

TECHNICAL SPECIFICATIONS

Item	OTF-20208PGL	OTF-15158PGL
Grilling Area	420.25 sq. in.	240.25 sq. in.
Dimensions of Grill Box	20.5" x 20.5" x 8.25"	15.5" x 15.5" x 8.25"
Adjustable Grilling Height	4-level	4-level
Post	50"	50"

GENERAL SAFETY RULES



WARNING: Read and understand all instructions. Failure to follow all instructions listed below may result in serious injury.



CAUTION: Do not allow persons to operate or assemble this grill until they have read this manual and have developed a thorough understanding of how the grill works.



WARNING: The warnings, cautions, and instructions discussed in this instruction manual cannot cover all possible conditions or situations that could occur. It must be understood by the operator that common sense and caution are factors that cannot be built into this product, but must be supplied by the operator.

SAVE THESE INSTRUCTIONS

WORK AREA

- **Keep work area clean**, free of clutter, and well lit. Cluttered and dark work areas can cause accidents.
- **Keep children and bystanders** away while operating a grill. Distractions can cause you to lose control, so visitors should remain at a safe distance from the work area.
- **Be alert of your surroundings.** Using a grill in confined work areas may put you dangerously close to sharp tools and rotating parts.

PERSONAL SAFETY

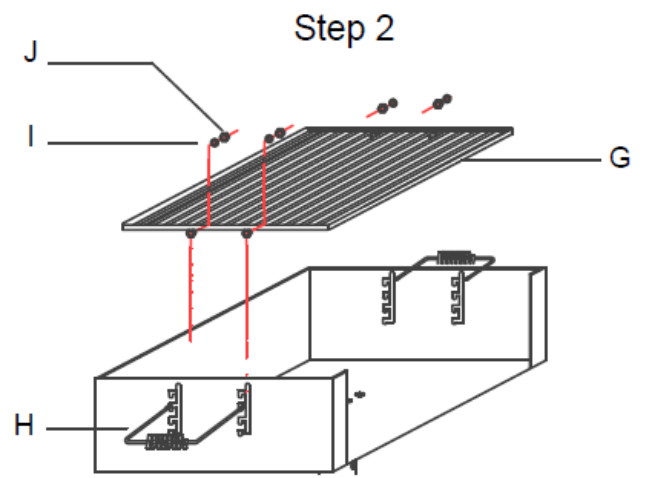
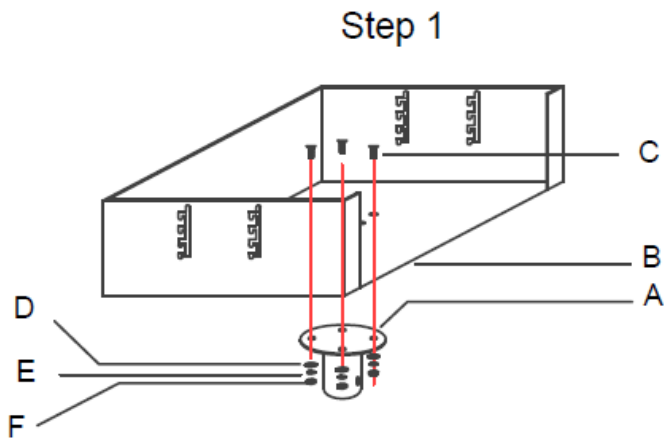
- **Stay alert**, watch what you are doing, and use common sense when using a grill. Do not use a grill while you are tired or under the influence of drugs, alcohol, or medication. A moment of inattention while operating a grill may result in serious personal injury.
- **Dress properly.** Do not wear loose clothing, dangling objects, or jewelry. Keep your hair, clothing, and gloves away from moving parts. Loose clothes, jewelry, or long hair can be caught in moving parts.
- **Use safety apparel and equipment.** Use safety goggles or safety glasses with side shields that comply with current national standards or, when needed, a face shield. Use a dust mask if working in dusty work conditions. This applies to all persons in the work area. Also use non-skid, safety shoes, hard hats, gloves, dust collection systems, and hearing protection when appropriate.
- During and after grilling, grill components become extremely HOT and can remain hot even after coals appear to have extinguished. Use extreme care.
- Keep children and pets away from the grill.
- NEVER handle the grill or re-position the cooking grate with unprotected hands.

GRILL USE AND CARE

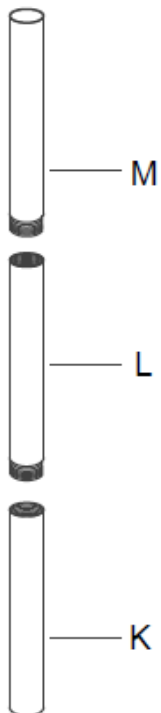
- **Do not modify the grill in any way.** Unauthorized modification may impair the function and/or safety and could affect the life of the equipment. There are specific applications for which the grill was designed.
- **Always check for damaged or worn-out parts before using the grill.** Broken parts will affect the grill operation. Replace or repair damaged or worn parts immediately.
- **Store idle grill.** When grill is not in use, store it in a secure place out of the reach of children. Inspect it for good working condition prior to storage and before re-use.

ASSEMBLY

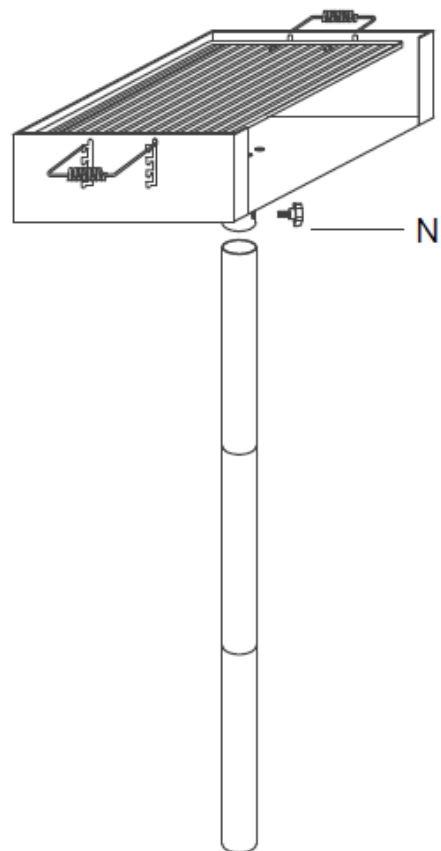
Do not fully tighten bolts until each step is complete.



Step 3



Step 4




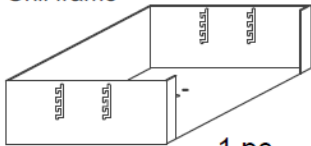




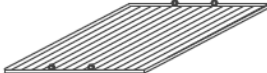







INSTALLATION:

For best stability and safety, it is recommended to set the support pole in a concrete base. Please consult a professional regarding the best installation method for your particular needs. Improper installation can result in injury and/or damage to property.

MAINTENANCE

- Maintain your Grill.** It is recommended that the general condition of any grill be examined before it is used. Keep your grill in good repair by adopting a program of conscientious repair and maintenance. If any abnormal vibrations or noise occurs, have the problem corrected before further use. Have necessary repairs made by qualified service personnel.

DIAGRAM & PARTS LIST

<p>A. Chassis</p>  <p>1 pc</p>	<p>B. Grill frame</p>  <p>1 pc</p>	<p>C. Socket Countersunk Head Cap Screw M10*25</p>  <p>4 pcs</p>	<p>D. Flat spacer Ø10</p>  <p>4 pcs</p>	<p>E. Spring Washer Ø10</p>  <p>4 pcs</p>
<p>F. Nuts M10</p>  <p>4 pcs</p>	<p>G. Grate</p>  <p>1 pc</p>	<p>H. Handle</p>  <p>2 pcs</p>	<p>I. Spring Washer Ø6</p>  <p>4 pcs</p>	<p>J. Small Nuts Ø6</p>  <p>4 pcs</p>
<p>K. End pole</p>  <p>1 pc</p>	<p>L. Middle pole</p>  <p>1 pc</p>	<p>M. Top pole</p>  <p>1 pc</p>	<p>N. Thumb screw M8*25</p>  <p>1 pc</p>	

For replacement parts and technical questions, please call **1-218-943-6290**.

WARRANTY

One-year limited parts warranty.



BAC
PO BOX 155
Miltona, MN 56354
Made in Thailand