



— GX54 SSQA GRAPPLE —

OPERATOR MANUAL

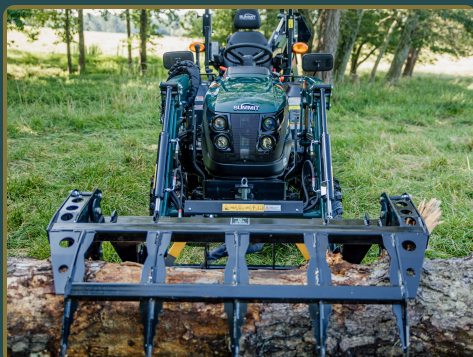


TABLE OF CONTENTS

Introduction	3
Warranty	4
Safety and Warnings	5
Specifications	6–7
Part Numbers	8
Decals	9
Parts and Hose Routes	10
Operation Instructions	11
Maintenance	12
Quick Attach Couplers	13
Troubleshooting	14
Summit Tractors	15

INTRODUCTION

Thank you for purchasing your new Summit GX54 SSQA Grapple. We hope that you enjoy your new attachment for many years to come, and that it proves to be more than useful to you whenever you need it on the job. At Summit Tractors, we are committed to providing our customers with the highest quality attachments and equipment available.


Quality is at the heart of everything Summit Tractors does. Every attachment is built to Summit's exacting specifications and undergoes thorough inspection before leaving the facility — ensuring it meets our high standards before it ever reaches you. We believe great design is the foundation of great products, and we invest considerable time perfecting every detail of our attachments.

The GX54 Grapple is constructed using heavy-duty A50 steel, built to withstand the toughest workloads on your property. Whether you are clearing brush, moving logs, or managing debris, the GX54 is engineered to perform season after season.

Summit Tractors is an American brand dedicated to serving landowners, farmers, and rural property owners across the country. We stand behind every product we sell with dedicated customer support, genuine OEM parts, and a warranty you can count on.

Please read this entire operator manual before operating your GX54 Grapple. Understanding proper operation, safety guidelines, and maintenance requirements will help ensure safe and effective use for years to come.

Summit Tractors Customer Support

 770-209-3390

 summittractors.com

WARRANTY

Summit Tractors warrants products purchased directly from Summit Tractors by the original purchaser to be free from defects in material and workmanship for a period of twelve (12) months from the warranty start date.

WARRANTY DOES NOT INCLUDE

- ▶ Normal wear and tear
- ▶ Damage due to misuse, abuse, neglect, or accident
- ▶ Damage caused by failure to follow operating instructions
- ▶ Damage caused by unauthorized modifications or alterations
- ▶ Damage caused by use of non-approved parts or accessories
- ▶ Consequential or incidental damages
- ▶ Labor costs for removal or re-installation

WARRANTY CLAIMS

To make a warranty claim, contact Summit Tractors customer support within the warranty period. You will be required to provide proof of purchase and a description of the defect. Summit Tractors reserves the right to repair or replace the defective product at its sole discretion.

⚠ IMPORTANT

This warranty gives you specific legal rights. You may also have other rights which vary from state to state. For warranty service, contact Summit Tractors at **770-209-3390** or visit **summittractors.com**.

SAFETY AND WARNINGS

⚠ WARNING — READ BEFORE OPERATING

Failure to follow safety instructions could result in serious injury or death. Read and understand all safety warnings before operating this attachment.

GENERAL SAFETY

- ▶ Read, understand, and follow all instructions in this manual before operating the grapple.
- ▶ Only trained and authorized operators should operate this attachment.
- ▶ Always wear appropriate PPE — safety glasses, gloves, and steel-toed boots.
- ▶ Keep all bystanders, especially children, away from the work area at all times.
- ▶ Never operate under the influence of alcohol, drugs, or impairing medications.
- ▶ Inspect the attachment before each use. Do not use if damaged or worn.

HYDRAULIC SAFETY

- ▶ Never disconnect hydraulic hoses while under pressure.
- ▶ Relieve all hydraulic pressure before performing any service or maintenance.
- ▶ Inspect hoses and fittings regularly for leaks, wear, or damage. Replace immediately if defective.
- ▶ Hydraulic fluid under pressure can penetrate skin — seek immediate medical attention if injection occurs.
- ▶ Use cardboard or paper to locate hydraulic leaks — never use your hands.

⚠ CAUTION — LOAD SAFETY

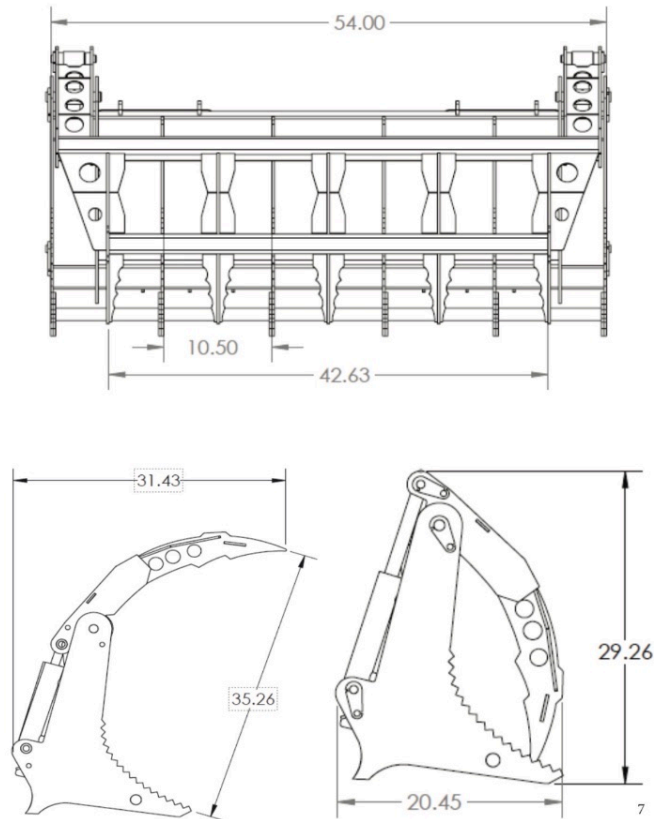
Never carry loads over people, vehicles, or structures. Ensure loads are secure before moving. Do not exceed the rated capacity of the grapple.

TRACTOR SAFETY

- ▶ Ensure your tractor is rated for this attachment before operating.
- ▶ Lower the attachment and disengage hydraulics before leaving the tractor.
- ▶ Always use the tractor's ROPS and seat belt.
- ▶ Be aware of overhead obstacles, slopes, and unstable terrain when operating.

SPECIFICATIONS

Specifications



TRACTOR COMPATIBILITY

SPECIFICATION	VALUE
Compatible Loaders	SSQA / Skid Steer Quick Attach loaders
Recommended Tractor HP	20–60 HP
Loader Lift Capacity Required	Minimum 1,200 lbs
Compatible Summit Models	LX85, TX25H (with SSQA loader)

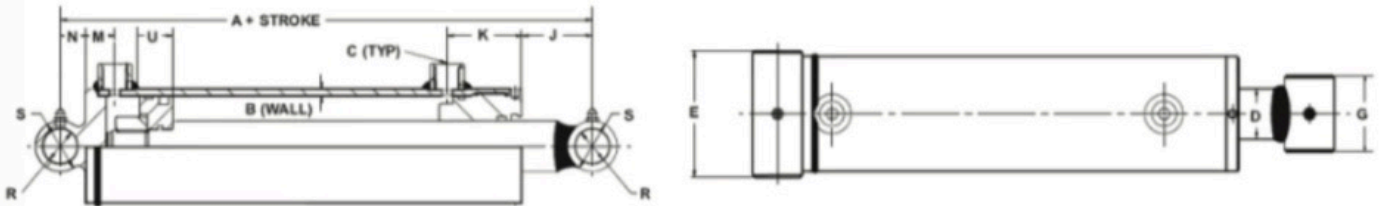
PERFORMANCE

SPECIFICATION	VALUE
Rated Capacity	1,500 lbs
Jaw Opening	46 inches

SPECIFICATIONS (HYDRAULIC RAM)

Hydraulic Ram Specifications

BORE	STROKE	RETRACTED	EXTENDED	PSI
1.5 Inch.	6 Inch.	14 Inch.	20 Inch.	3000



Dimensional Data in Inches:

BORE	A	B	C	D	E	G	J	K	M	N	R	S	U
1.50	8.00	0.188	SAE 4	1.00	2.25	2.00	2.913	2.192	0.929	0.625	0.764	1.250	0.945
2.00	8.00	0.188	SAE 6	1.25	2.75	2.25	2.844	1.937	0.894	0.750	1.015	1.500	1.000
2.50	8.00	0.188	SAE 8	1.50	3.25	2.25	2.654	1.925	0.894	0.750	1.015	1.500	1.000
3.00	8.00	0.197	SAE 8	1.50	3.75	2.25	2.301	2.244	1.012	0.750	1.015	1.500	1.000
3.50	10.00	0.219	SAE 8	1.75	4.25	2.25	3.980	2.248	1.012	1.000	1.265	2.000	1.000
4.00	10.00	0.250	SAE 8	2.00	4.75	2.50	3.934	2.244	1.012	1.126	1.515	2.252	1.000
5.00	11.00	0.250	3/4 NPT	2.50	5.75	4.00	2.750	2.272	1.500	1.126	1.515	2.500	1.626

PART NO.	STROKE	ROD DIA.	RETRACTED	EXTENDED	COLUMN LOAD	PORT SIZE	PIN DIA.	SHIP WT.
----------	--------	----------	-----------	----------	-------------	-----------	----------	----------

1.5" Bore

288300	4	1	12	16	5,300	SAE 4	0.75	7
288301	6	1	14	20	5,300	SAE 4	0.75	8
288302	8	1	16	24	5,300	SAE 4	0.75	9
288303	10	1	18	28	5,300	SAE 4	0.75	10
288304	12	1	20	32	5,300	SAE 4	0.75	11
288305	14	1	22	36	5,300	SAE 4	0.75	12
288306	16	1	24	40	5,300	SAE 4	0.75	13
204605	Seal Kit	1						

PART NUMBERS

Use the part numbers below when ordering replacements. Contact Summit Tractors at **770-209-3390** or visit **summittractors.com** to order genuine OEM parts.

PART NO.	DESCRIPTION	QTY
GX54-001	Hydraulic Cylinder Assembly (2.5" bore × 10" stroke)	1
GX54-002	Hydraulic Hose Set — Supply & Return (1/2")	1 set
GX54-003	Pioneer Coupler, Male 1/2"	2
GX54-004	Bottom Tine, A50 Steel Serrated	5
GX54-005	Top Tine, A50 Steel Serrated	4
GX54-006	Pivot Pin, Main Jaw	2
GX54-007	Pivot Pin Snap Ring Set	1 set
GX54-008	SSQA Mount Plate	1
GX54-009	Grease Fitting Set (Zerk, 1/8" NPT)	4
GX54-010	Hardware Kit — Grade 8 Fasteners	1 kit
GX54-011	Warning / Safety Decal Set	1 set
GX54-012	Cylinder Rod Seal Kit	1
GX54-013	Cylinder End Cap	1
GX54-014	Frame Weldment — Bottom Jaw	1
GX54-015	Frame Weldment — Top Jaw	1

GENUINE OEM PARTS

Always use genuine Summit Tractors OEM parts. Non-approved parts may void your warranty and could result in unsafe operation.

DECALS

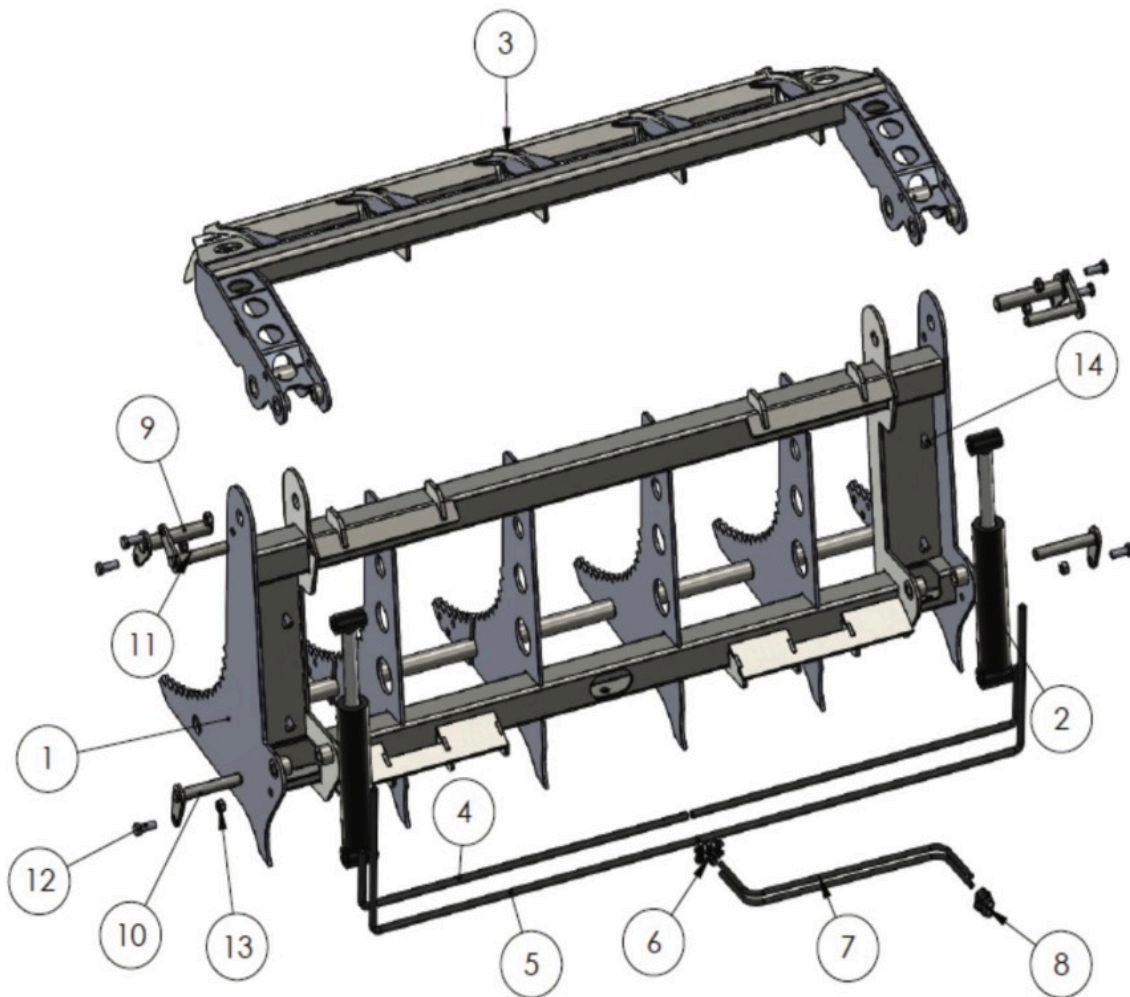
Your GX54 Grapple is equipped with the following safety and identification decals. Inspect decals before each use. Replace immediately if damaged, missing, or illegible. Contact Summit Tractors at 770-209-3390 to order replacement decals (Part No. GX54-011).

Decals



PARTS AND HOSE ROUTES

Parts and Hose Routes



HYDRAULIC HOSE ROUTING

- ▶ **Port A (Extend / Close):** Connect to tractor auxiliary hydraulic outlet — "Extend" circuit
- ▶ **Port B (Retract / Open):** Connect to tractor auxiliary hydraulic outlet — "Retract" circuit
- ▶ Route hoses away from moving parts, sharp edges, and heat sources
- ▶ Ensure hoses have adequate slack for full range of motion without binding
- ▶ Use supplied Pioneer male couplers (1/2") to connect to tractor quick-connect ports

OPERATION INSTRUCTIONS

⚠ BEFORE YOU BEGIN

Review all safety warnings on page 5 before operating. Ensure the attachment is properly assembled and inspected. Keep all bystanders clear of the work area.

ATTACHING TO TRACTOR

- ▶ Drive the tractor forward into the SSQA attachment until the mount plate fully engages the loader frame.
- ▶ Lock both attachment locking pins into the secured position.
- ▶ Connect hydraulic hoses to tractor auxiliary ports. Ensure couplers are fully seated and locked.
- ▶ Raise the loader slightly and visually confirm the attachment is seated correctly before operating.

OPERATING THE GRAPPLE

- ▶ Use the tractor's auxiliary hydraulic control to open and close the grapple jaw.
- ▶ Position the open grapple over or around the material to be grabbed.
- ▶ Close the jaw slowly and firmly to secure the material before lifting.
- ▶ Lift only within the rated capacity of the grapple (1,500 lbs) and tractor loader.
- ▶ Travel with the load low — no higher than 12 inches above the ground — for stability.
- ▶ Avoid sudden starts, stops, or turns while carrying a load.
- ▶ Never carry loads over people, animals, or vehicles.

DETACHING FROM TRACTOR

- ▶ Lower the grapple fully to the ground on a level, stable surface.
- ▶ Open the jaw and relieve hydraulic pressure.
- ▶ Disconnect hydraulic hoses and cap the ports to prevent contamination.
- ▶ Release the SSQA locking pins and back the tractor away from the attachment.

MAINTENANCE

Regular maintenance will extend the life of your GX54 Grapple and ensure safe, reliable operation.

BEFORE EACH USE

- ▶ Inspect all pivot pins and snap rings — confirm secure and in place
- ▶ Inspect hydraulic hoses and fittings for leaks, cracks, or abrasion
- ▶ Check SSQA mount plate hardware for tightness
- ▶ Test jaw open/close operation at low pressure before loading

EVERY 50 HOURS

- ▶ Grease all Zerk fittings (4 total): main jaw pivot pins (×2), cylinder rod end, cylinder base end
- ▶ Inspect tines for cracks, bends, or wear — replace if damaged
- ▶ Check all Grade 8 fasteners and re-torque if needed
- ▶ Inspect hydraulic cylinder rod for scoring or damage

EVERY SEASON / ANNUAL

- ▶ Inspect all welds for cracks — contact Summit Tractors if any weld failures are found
- ▶ Replace any worn or damaged hydraulic hoses
- ▶ Touch up paint or powder coat where needed to prevent rust
- ▶ Inspect and replace cylinder rod seals if leaking is observed (seal kit: GX54-012)

STORAGE

- ▶ Store on a flat, dry surface with the jaw fully closed
- ▶ Cap hydraulic hose ends to prevent contamination during storage
- ▶ Apply a light coat of rust inhibitor to exposed metal surfaces for long-term storage

HYDRAULIC FLUID

Use only hydraulic fluid recommended by your tractor manufacturer. Contaminated hydraulic fluid will damage cylinder seals and void your warranty.

QUICK ATTACH COUPLERS

Quick Attach Couplers

QC-AG POPPET TYPE HYDRAULIC QUICK COUPLING (STEEL)



Socket with valve Plug with valve



Features

QC-AG Series couplings feature:

- Poppet valves to prevent uncoupled leakage
- Critical parts are hardened for durability
- Dependable ball-locking mechanism holds the mating halves together
- Socket and plug are precision machined from solid bar stock
- QC-AG Series conforms to the ISO 5675 Standard
- Interchangeable with PARKER 4000 Series, STUCCHI IR-V Series, Safeway S20 Series, and others

See interchange chart on page 28

Applications

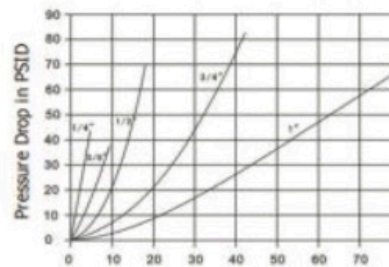
The QC-AG series couplings bring to the industry a proven design for use on construction equipment, forestry equipment, agricultural machinery, oil tools, steel mill machinery and other demanding hydraulic applications.

Specifications

Body Size (in)	1/4"	3/8"	1/2"	3/4"	1"
Rated Pressure (PSI)	5000	4000	4000	3000	3000
Rated Flow (GPM)	3	6	12	28	50
Temperature Range (std seals)	-22°F to +230°F				
Standard seal material is BUNA					
Safety Factor 4:1					

Performance

QC-AG Series (1/4", 3/8", 1/2", 3/4", 1")
Test Fluid: Oil-200SUS

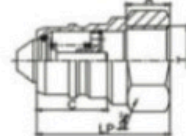
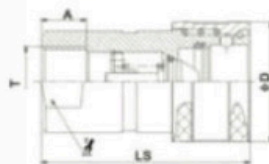


Flow in GPM
1 GPM = 3.78 L/Min
1PSID = 0.0069 Mpa

Socket



Plug



TROUBLESHOOTING

If you experience issues with your GX54 Grapple, consult the table below. If the problem cannot be resolved, contact Summit Tractors at **770-209-3390**.

SYMPTOM	POSSIBLE CAUSE	REMEDY
Jaw will not open or close	Hoses not connected; auxiliary not engaged	Connect hoses fully; engage auxiliary hydraulic control
Jaw opens when closing	Hoses connected in reverse	Swap the two hydraulic hose connections
Slow or weak jaw movement	Insufficient flow/pressure; kinked hose	Check tractor hydraulic flow (min. 4 GPM); inspect hoses
Fluid leaking at cylinder	Worn cylinder rod seals	Replace rod seal kit (GX54-012)
Fluid leaking at fitting	Loose fitting or damaged hose	Relieve pressure; tighten fitting or replace hose (GX54-002)
Excessive jaw play	Worn or missing snap rings	Inspect pivot pins; replace snap ring set (GX54-007)
Squeaking at pivot	Dry pivot pins — insufficient grease	Grease all Zerk fittings; inspect pins for wear
Attachment won't lock on loader	SSQA plate misaligned or incompatible	Realign mount plate; verify SSQA compatibility
Tines bent or cracked	Overloading; impact damage	Replace tines (GX54-004 / GX54-005); do not exceed rated capacity

DO NOT WELD WITHOUT AUTHORIZATION

Do not attempt to repair cracked welds without contacting Summit Tractors first. Unauthorized welding may void your warranty and compromise structural integrity.



— **GX54 SSQA GRAPPLE** —

GENUINE OEM PARTS & SUPPORT AVAILABLE

770-209-3390

summittractors.com