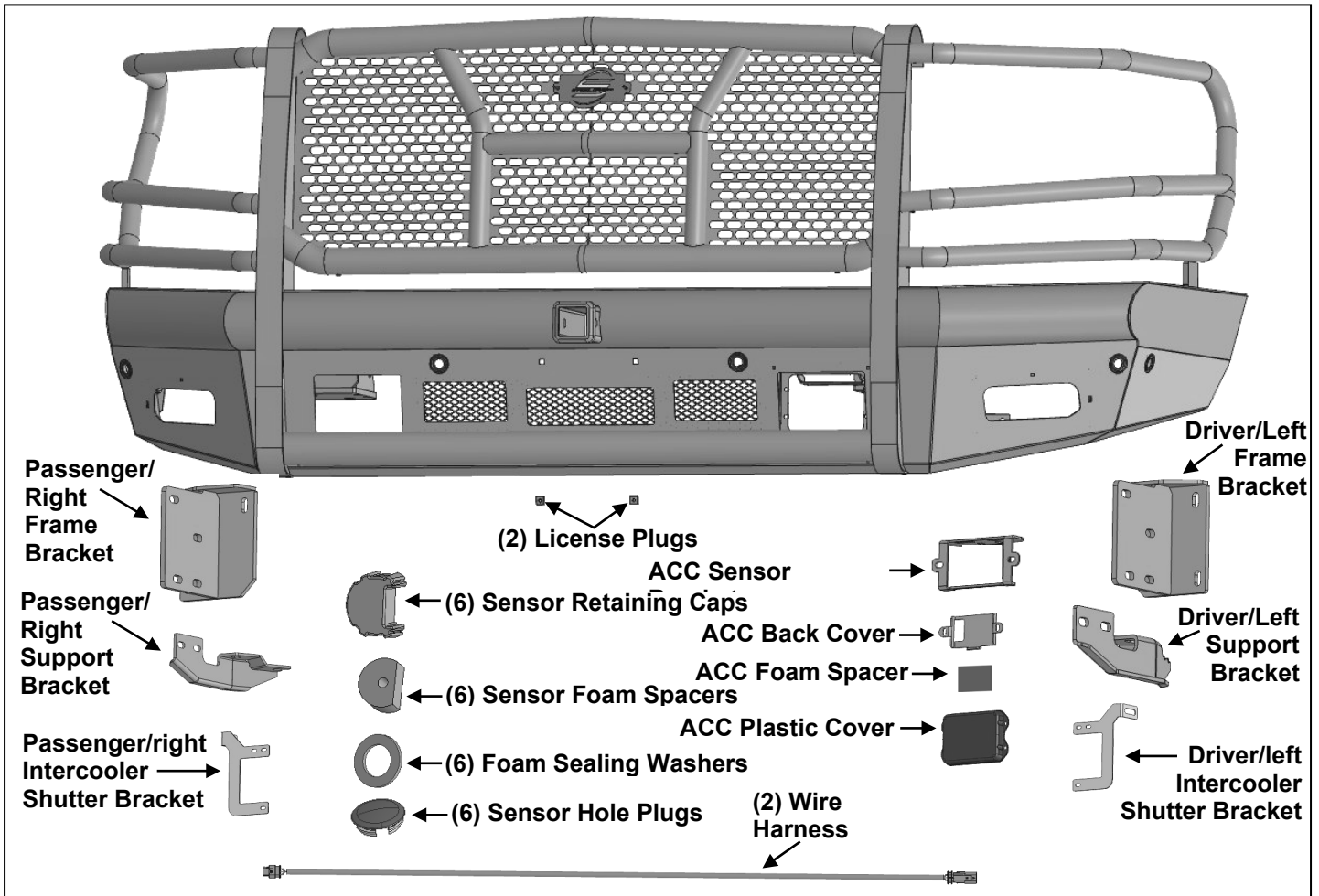


**HD REPLACEMENT FRONT BUMPER
2025+ RAM 1500**

PARTS LIST:

1	HD Bumper Assembly	6	14mm X 50mm Hex Bolts
1	Driver/left Frame Bracket	2	14mm Lock Washers
1	Passenger/right Frame Bracket	10	14mm X 44mm OD X 3mm Flat Washers
1	Driver/left Support Bracket	4	14mm Nylon Lock Nuts
1	Passenger/right Support Bracket	16	12mm Nylon Lock Nuts
2	Plastic Plugs for License Plate Mount	32	12mm X 32mm OD X 3mm Flat Washers
1	ACC Sensor Bracket	16	12mm X 55mm Hex Bolts
1	ACC Back Cover	12	6mm x 22mm flat washers
1	ACC Plastic Cover	16	6mm X 18mm OD X 1.6mm Flat Washers
1	ACC Foam Spacer	14	6mm Nylon Lock Nuts
6	Sensor Cover Kit	4	6mm x 25mm Button Head Bolts
6	Plastic Sensor Hole Plugs	10	6mm X 25mm Hex Bolts
6	Sensor Retaining Caps	4	5mm Hex Nuts
6	Sensor Foam Spacers	4	5mm x 16mm Button Head Combo Bolts
6	Sealing Washers	4	5mm X 15mm OD X 1.2mm Flat Washers
2	Parking Sensor Wiring Extensions	1	4mm Allen Wrench
1	Passenger/right Intercooler Shutter Bracket	1	3mm Allen Wrench
1	Driver/left Intercooler Shutter Bracket	12	4mm Self-Tapping Screws



PROCEDURE:

REMOVE CONTENTS FROM PACKAGING. SOME PARTS ARE SMALL AND WILL BE HIDDEN IN WRAPPINGS. VERIFY ALL PARTS ARE PRESENT AND DO NOT DISCARD PACKAGING UNTIL INSTALLATION IS COMPLETE. READ INSTRUCTIONS CAREFULLY BEFORE STARTING INSTALLATION. BUMPER IS HEAVY, ASSISTANCE IS HIGHLY RECOMMENDED TO AVOID POSSIBLE INJURY OR DAMAGE TO THE VEHICLE.

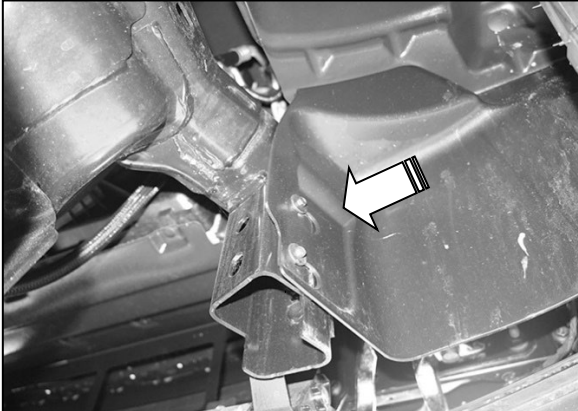
1. Remove the license plate and bracket.
2. Move to the Driver/Left side of the bumper. Remove the screws attaching the plastic splash guard to the outside of the lower frame. Repeat to remove the screws from the Passenger/Right side of the frame, **(Figure 1)**. On models equipped with active front air dam, temporarily unplug and remove the air dam assembly for easier access to bumper hardware, **(Figure 2)**.
3. Unplug all wiring harnesses leading to the bumper. Move harness away from bumper to avoid damage.
4. Place blocks or jack stands under the front bumper to support it during mounting bolt removal. Once the bumper has been safely supported, remove the (3) hex nuts attaching each bumper bracket to the end of the frame, **(Figure 3)**. **WARNING!** Assistance is required to hold the bumper in place during hardware removal to prevent the bumper from falling. Slide the bumper off the end of the frame.
5. Models equipped with sensors and/or fog lights, remove the wiring harness from the bumper. Remove the sensors and fog lights if equipped. Note location of each sensor for correct reinstallation. It may be necessary to remove shutters and brackets for complete access.
6. On models equipped with tow hooks, loosen the hex bolts and slide the tow hook out from under the hardware, **(Figure 4)**. **IMPORTANT:** The rear bolts attaching the tow hooks to the bottom of the frame are body mounting bolts and cannot be removed. Only loosen the bolts to remove both tow hooks.
7. Select the Driver/Left Support Bracket. Slide the inner end of the Support Bracket under the inner body bolt. Attach the forward end of the Support Bracket to the bottom of the frame with (1) 14mm x 50mm Hex Bolt, (1) 14mm Lock Washer and (1) 14mm Flat Washer, **(Figures 5 & 7)**. **NOTE:** On models with tow hooks, reuse the factory hex bolt to attach the Support Bracket to the frame, **(Figure 7)**. Do not tighten hardware at this time.
8. Select the Driver/Left side Frame Mounting Bracket. Attach the Bracket to the end of the frame with (3) 12mm x 55mm Hex Bolts, (6) 12mm Flat Washers and (3) 12mm Nylon Lock Nuts, **(Figures 6 & 7)**.
9. Repeat **Steps 7 & 8** to install the Passenger/Right side Frame and Support Brackets, **(Figure 8)**.
10. **Determine if vehicle is equipped with sensors and/or fog lights**
Models without sensors:
 - a. From the front of the Bumper, push the included Plastic Plugs into the sensor mounting holes, **(Figure 9)**.**Models with bumper mounted sensors:**
 - a. Select a sensor and remove the OE silicone seal from the end of the sensor. Remove the adhesive backing from the supplied 15.5mm x 25mm x 2mm Foam Washer Sensor Seal. Slide the Foam Seal over front of sensor, **(Figure 10)**.
 - b. Insert sensor with Seal into sensor mount on back of bumper until it clicks **(Figure 11)**.
 - c. Select the included (1) Foam Spacer and peel off the adhesive backing. Place Foam Spacer into (1) Sensor Retainer Cap. Push Sensor Retaining Cap and Foam Spacer onto sensor mount and lock into mounting holes **(Figure 11)**.
 - d. Repeat previous Steps to install remaining sensors.
11. **Models equipped with fog lights:**
 - a. Attach each light assembly with plastic housing to the mounting tabs on the back of the bumper with (3) 6mm x 25mm Hex Bolts, (6) 6mm Flat Washers and (3) 6mm Nylon Lock Nuts, **(Figure 12)**. **IMPORTANT:** Do not overtighten hex bolts to avoid damaging plastic light mount.
 - b. Reattach the factory wiring harness to the fog lights.
12. Unplug Adaptive Cruise Control/Forward Collision Sensor and gently set aside in a secure location. Cut all cable ties, tape and wire looms to free ACC harness and stretch to the driver-side tow hook location.
13. Attach ACC Plastic Cover to the front of the bumper ACC Mounting Bracket with (4) 5mm Combo Bolts, (4) 5mm x 15mm Flat Washers, and (4) 5mm Hex Nuts, **(Figure 13)**.
14. Select the ACC Foam Spacer and remove the adhesive backing. Insert the Foam Spacer inside the ACC Back Cover **(Figure 14)**.

HD REPLACEMENT FRONT BUMPER 2025+ RAM 1500

15. Select the ACC Sensor Bracket and insert the top tabs of the ACC sensor into the slots on the top of the ACC Sensor Bracket. Attach the ACC Back Cover to the ACC Sensor Bracket using (2) 6mm x 25mm Hex Bolts, (4) 6mm x 18mm Flat Washers, (2) 6mm Lock washer, (2) 6mm Hex Nuts, **(Figure 15)**.
16. Secure the ACC Sensor Bracket to the bottom of ACC Mounting Bracket with (2) 6mm x 25mm Hex Bolts, (4) 6mm x 18mm Flat Washers, and (2) 6mm Nylon Lock Nuts, **(Figure 16)**.
17. Install the factory bumper wiring harness for sensors and fog lights as equipped. Run wiring harness through Brackets to reach sensors, **(Figure 17)**. **NOTE:** (2) Wire Harness Extensions have been included to extend the factory harness to reach the sensors as needed.
18. Remove shutter assembly from outer plastic housing, **(Figure 18)**.
19. Select (1) Driver/left Shutter Relocation Bracket. Attach the Intercooler Relocation Bracket to the driver/left side intercooler shutters using the factory hardware, **(Figure 19)**. Do not overtighten the hardware or damage to the shutter assembly may result. Repeat this Step to the other side.
20. With the Intercooler Relocation Bracket secured to the shutter assembly, attach the assembly to the bumper with using (2) 12mm x 55mm Hex Bolts, (4) 12mm Flat Washers and (2) 6mm Nylon Lock Nuts, **(Figures 20 & 21)**. **NOTE:** Shutter assembly may be installed upside-down if necessary. Plug wiring harness into shutter assembly
21. With assistance, position the Bumper Assembly up to the inside of the Frame Brackets. Temporarily support the weight of the Bumper. **WARNING:** To avoid possible injury or damage to the vehicle, do not proceed until the Bumper is fully and safely supported.
22. Line up the top (2) holes in the Driver/Left side mounting plate on the back of the Bumper with the top slots in the Frame Bracket. Attach the Bumper to the Bracket with (2) 12mm x 55mm Hex Bolts, (4) 12mm Flat Washers and (2) 12mm Nylon Lock Nuts, **(Figure 22)**. Do not tighten hardware at this time. Repeat this **Step** to attach the Passenger/Right side of the Bumper to the Frame Bracket.
23. Next, line up the (2) lower mounting slots in the Driver/Left side of the Bumper with the Mounting Bracket and Support Bracket. Attach the Brackets to the Bumper with (2) 12mm x 55mm Hex Bolts, (4) 12mm Flat Washers and (2) 12mm Nylon Lock Nuts, **(Figure 23)**. Repeat this **Step** to attach the Passenger/Right side of the Bumper to the Brackets.
24. **Models with tow hooks**, attach the Passenger/Right tow hook to the mounting location next to the Bumper Bracket with (2) 14mm x 50mm Hex Bolts, (4) 14mm Flat Washers and (2) 14mm Nylon Lock Nuts, **(Figures 24 & 25)**. **NOTE:** The driver-side tow hook cannot be installed if the ACC module is being used.
25. On models with grille mounted camera, remove screen from center of grille guard, **(Figure 26)**.
26. Select the Passenger/Right splash guard. Attach the splash guard to the side of the bumper with (2) 6mm Hex Bolts, (4) 6mm Flat Washers and (2) 6mm Nylon Lock Nuts, **(Figure 27)**. Repeat this **Step** to attach the Driver/Left Splash Guard. Do not tighten hardware at this time.
27. Use the included (2) License Plate Plugs to attach the front license plate, (if required), to the (2) holes in the front of the Bumper, **(Figure 28)**.
28. Reinstall the active air dam if previously removed.
29. Level and adjust the bumper and fully tighten all hardware.
30. Do periodic inspections to the installation to make sure that all hardware is secure and tight.

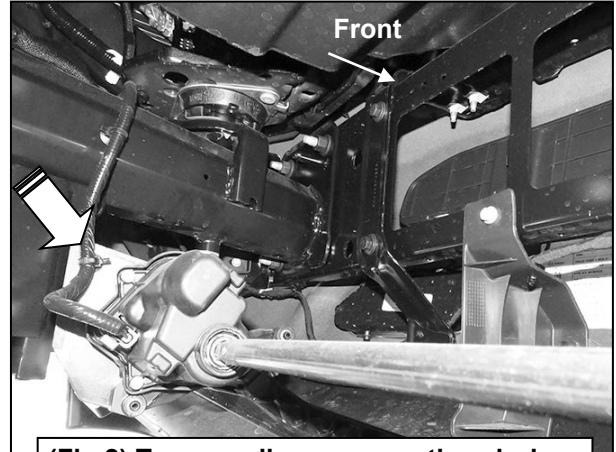
To protect your investment, wax this product after installing. Regular waxing is recommended to add a protective layer over the finish. Do not use any type of polish or wax that may contain abrasives that could damage the finish. Mild soap may be used to clean the Bumper assembly.

Driver/Left Side Installation Pictured

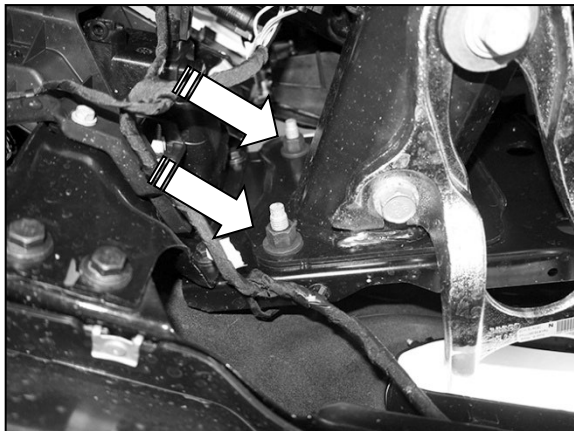


(Fig 1) Remove screws attaching plastic splash guard to frame. Passenger/Right side pictured

WARNING! Do not remove bumper bolts unless the bumper is properly supported on blocks or stands or the bumper may fall.

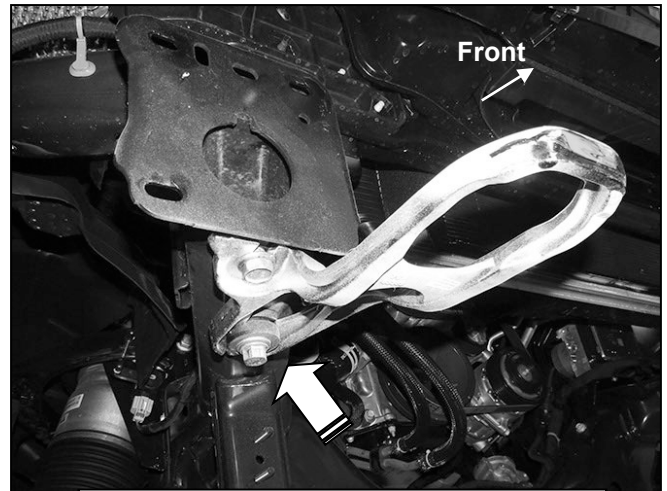


(Fig 2) Temporarily remove active air dam for better access to bumper hardware.



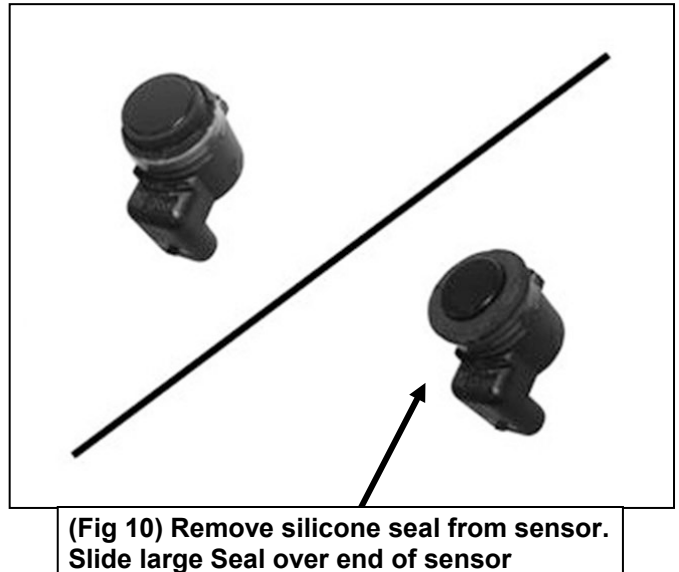
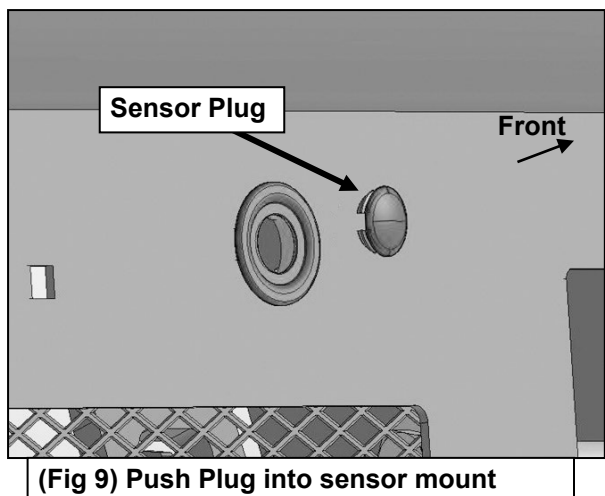
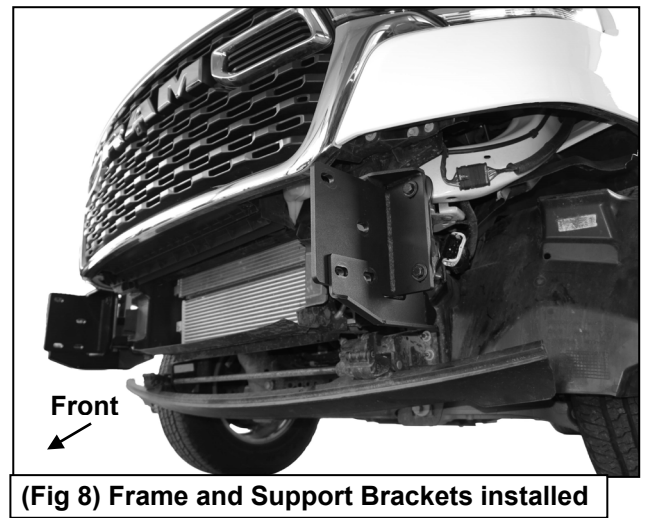
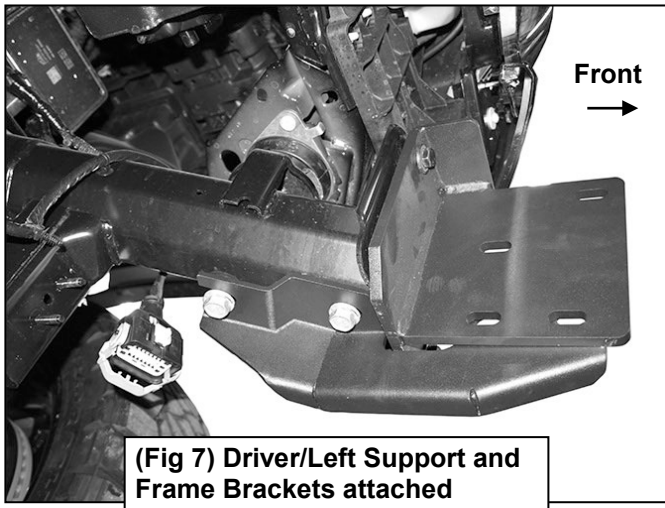
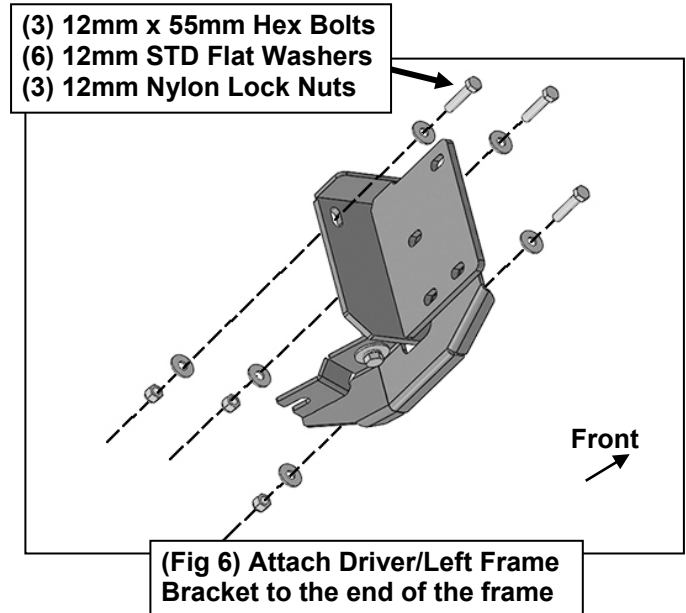
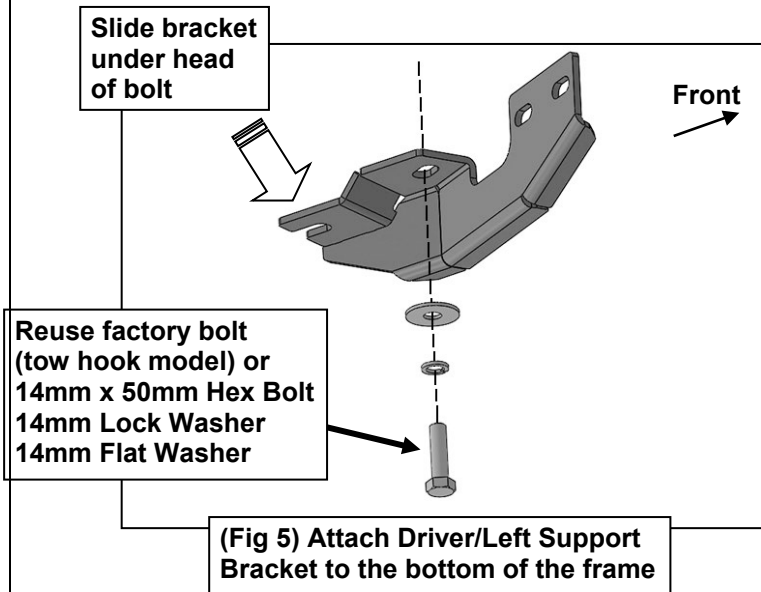
(Fig 3) With assistance, remove the bumper mounting bolts.

WARNING! Do not remove bumper bolts unless the bumper is properly supported on blocks or stands or the bumper may fall.

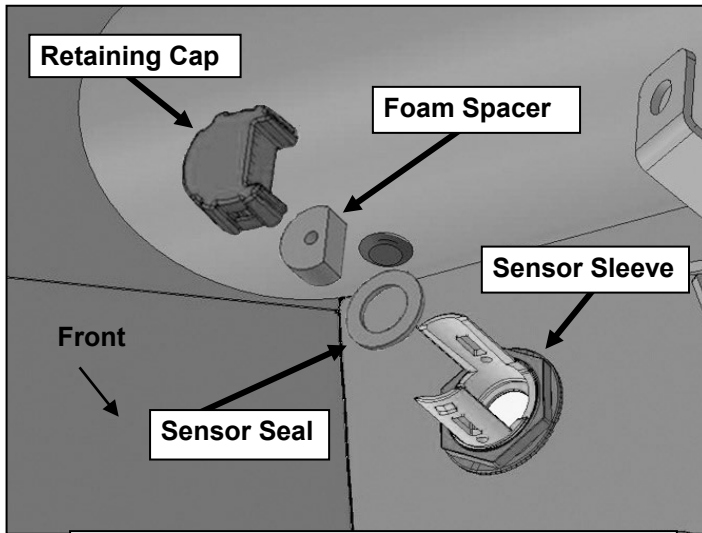


(Fig 4) Remove tow hook. **IMPORTANT:** Loosen but do not remove rear bolt. Passenger/Right side pictured

Driver/Left Side Installation Pictured

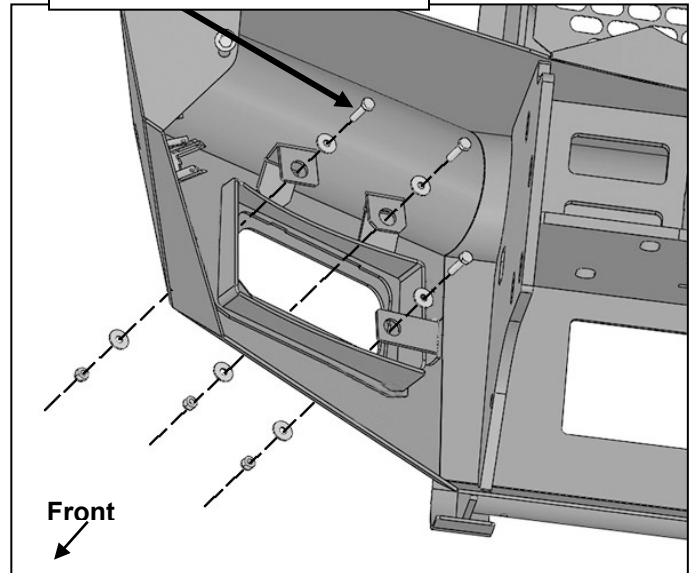


Driver/Left Side Installation Pictured

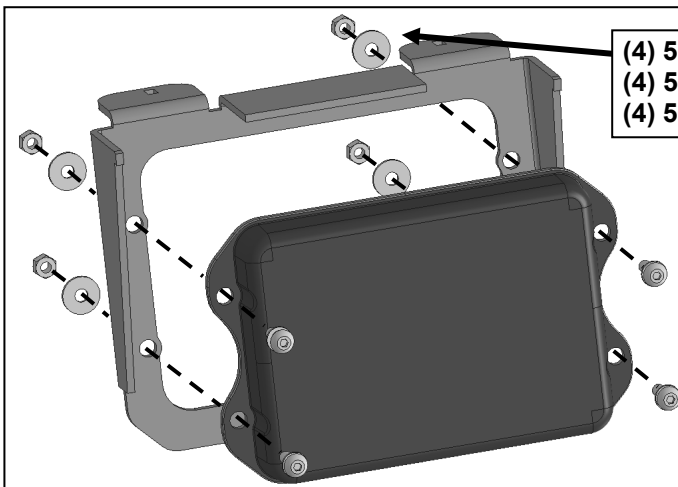


(Fig 11) Insert sensor assembly through the sensor sleeve behind the Bumper

- (3) 6mm x 25mm Hex Bolts
- (6) 6mm Flat Washers
- (3) 6mm Nylon Lock Nuts

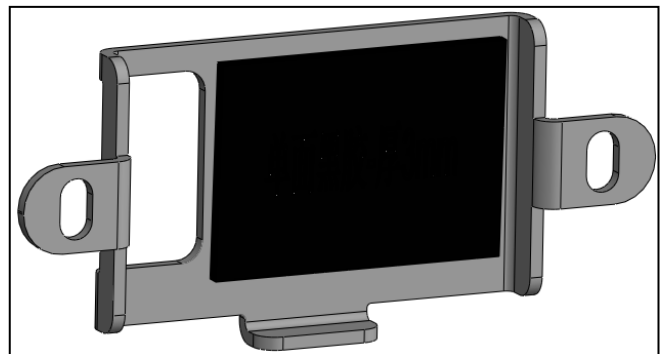


(Fig 12) Attach factory fog light assembly (if equipped) to mounting brackets on back of Bumper



- (4) 5mm x 16mm Button Head Combo Bolts
- (4) 5mm x 15mm Flat Washers
- (4) 5mm Hex Nuts

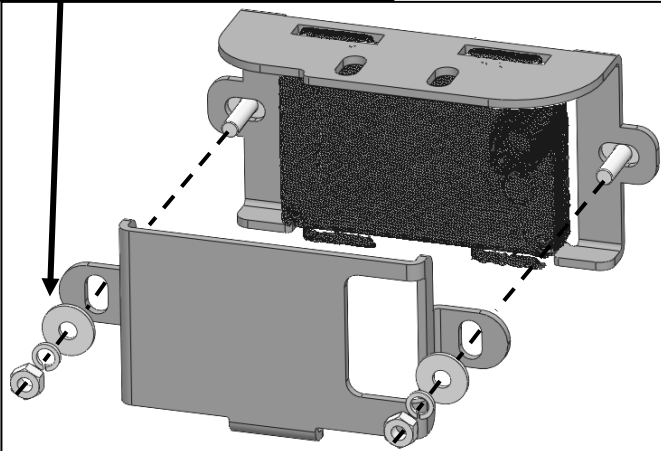
(Fig 13) Attach ACC Plastic Cover to the front of the bumper ACC Mounting Bracket



(Fig 14) Select the ACC Foam Spacer and remove the adhesive backing. Insert the foam inside the ACC Back Cover

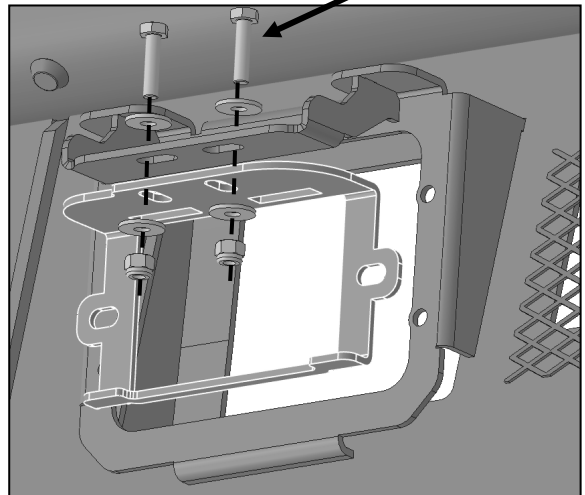
Driver/Left Side Installation Pictured

- (2) 6mm x 25mm Hex Bolts
- (4) 6mm x 18mm Flat Washers
- (2) 6mm Nylon Lock Nuts



(Fig 15) Select the ACC Sensor Bracket and insert the top tabs of the ACC sensor into the slots on the top of the ACC Sensor Bracket. Attach the ACC Back Cover to the ACC Sensor Bracket.

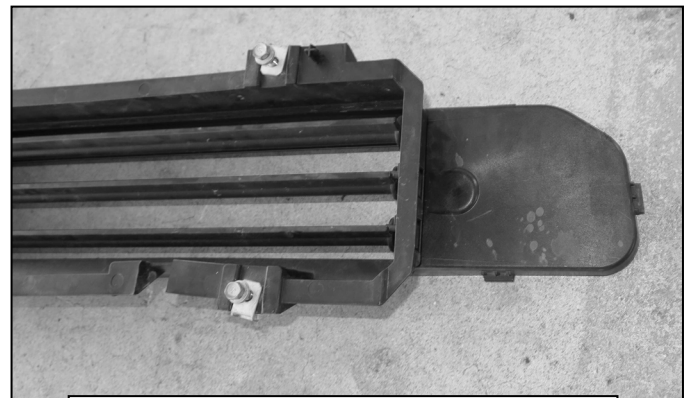
- (2) 6mm x 25mm Hex Bolts
- (4) 6mm x 18mm Flat Washers
- (2) 6mm Lock washer
- (2) 6mm Hex Nuts



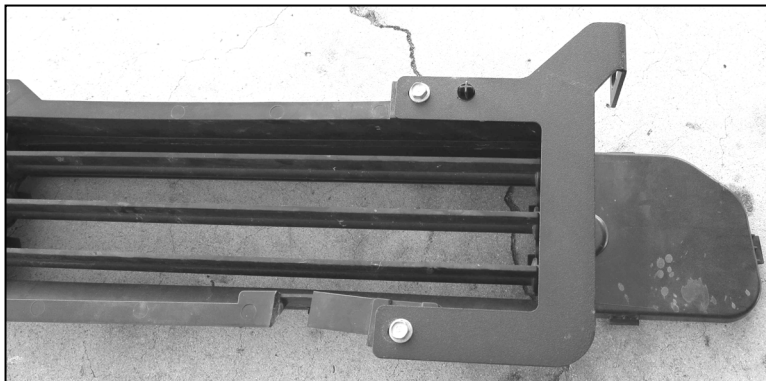
(Fig 16) Secure the ACC Sensor Bracket to the bottom of ACC Mounting Bracket



(Fig 17) Use the included (2) Wire Harness Extensions as necessary to reach the parking sensors

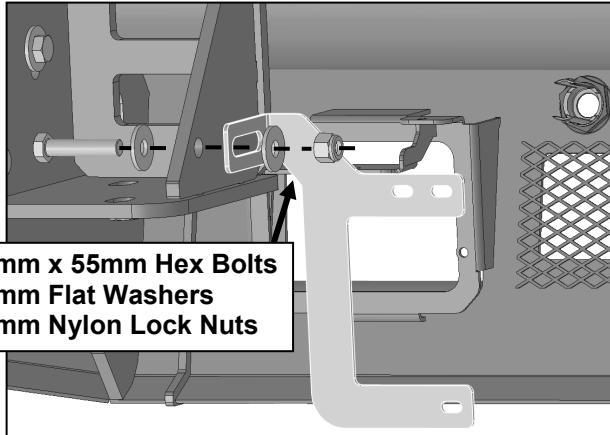


(Fig 18) Remove inner shutter assembly from plastic outer housing



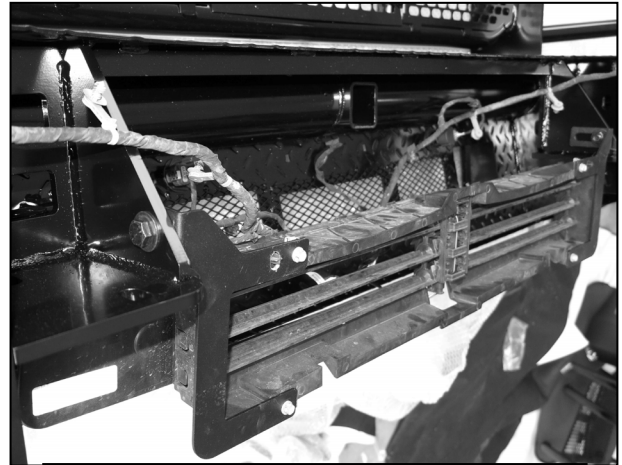
(Fig 19) Attach the Intercooler Shutter Bracket to the intercooler shutter

**HD REPLACEMENT FRONT BUMPER
2025+ RAM 1500**

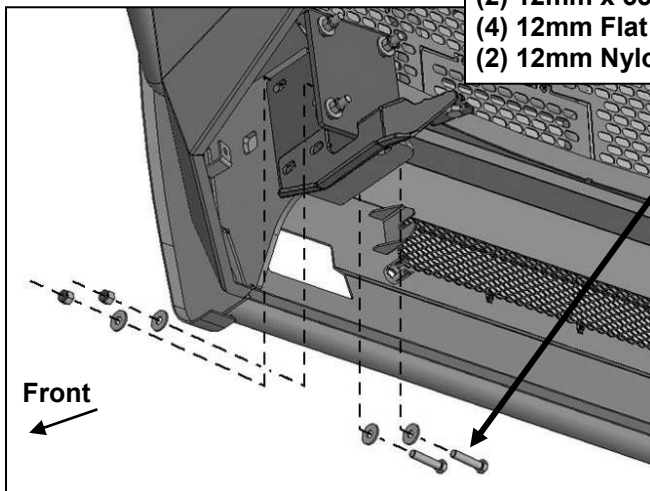


- (1) 12mm x 55mm Hex Bolts
- (2) 12mm Flat Washers
- (1) 12mm Nylon Lock Nuts

(Fig 20) With the intercooler shutter secured to brackets, attach Intercooler Shutter Bracket to the side of the tow hook bracket



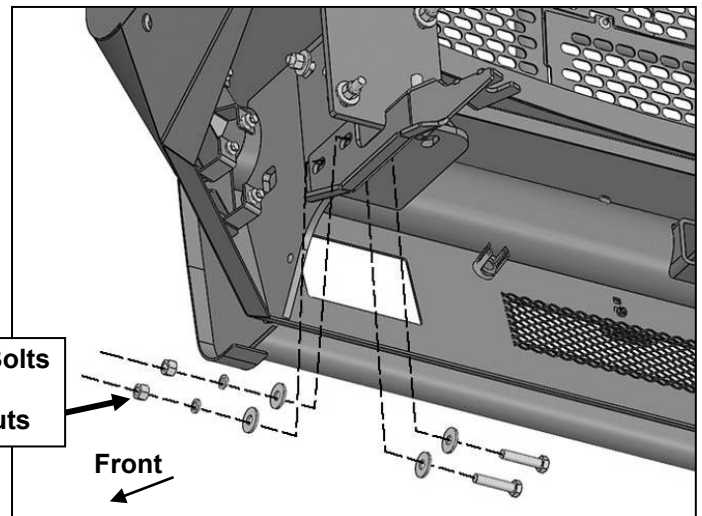
(Fig 21) Shutter attached to the bumper



- (2) 12mm x 55mm Hex Bolts
- (4) 12mm Flat Washers
- (2) 12mm Nylon Lock Nuts

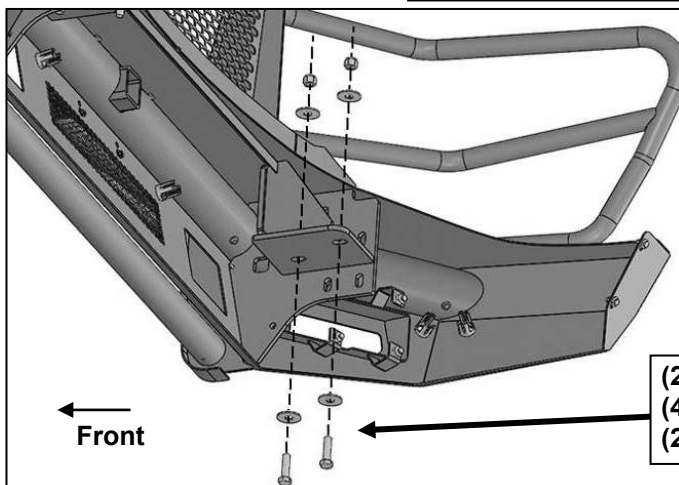
(Fig 22) Attach top (2) slots in Driver/Left side of Bumper to inside of Frame Bracket

WARNING! Do not crawl under bumper unless the bumper is properly supported on blocks or stands or the bumper may fall.



- (2) 12mm x 55mm Hex Bolts
- (4) 12mm Flat Washers
- (2) 12mm Nylon Lock Nuts

(Fig 23) Attach lower (2) slots in Bumper to inside of Frame Bracket and Support Bracket



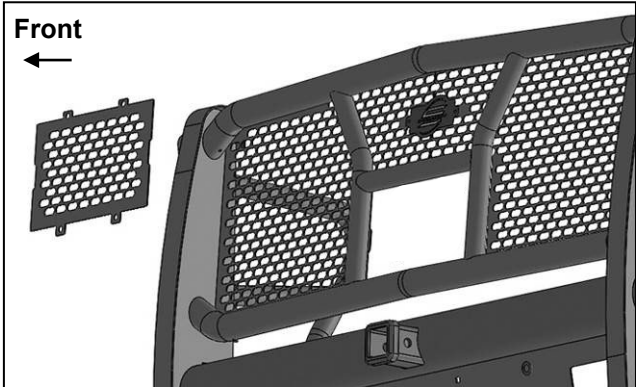
- (2) 14mm x 50mm Hex Bolts
- (4) 14mm Flat Washers
- (2) 14mm Nylon Lock Nuts

(Fig 24) Attach Passenger/Right tow hook to Bumper

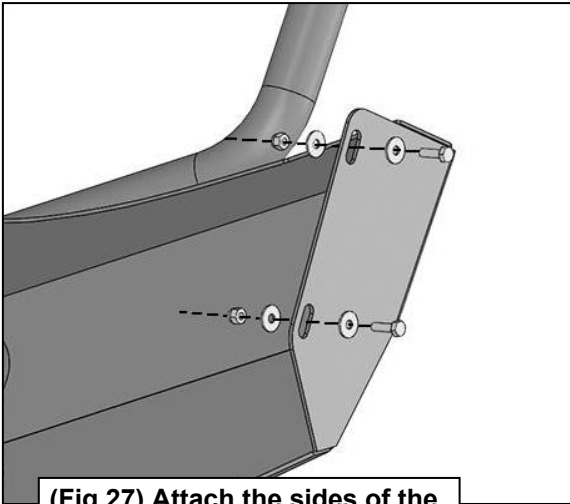
Passenger/Right Side Installation Pictured



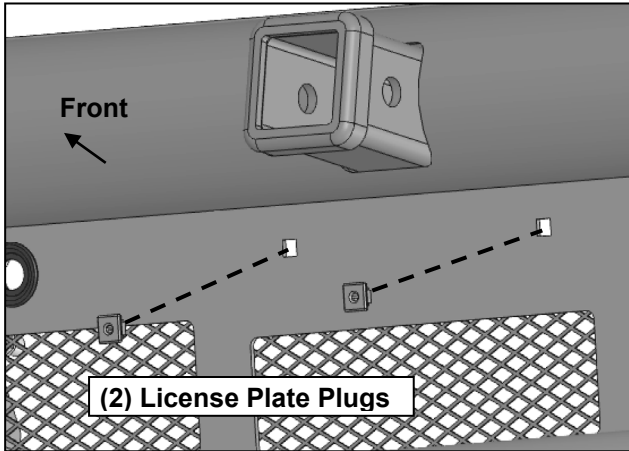
(Fig 25) Tow hook installed



(Fig 26) Models with camera, remove mesh panel



(Fig 27) Attach the sides of the bumper to the splash guard



(Fig 28) Attach License Plate Plugs to Bumper



Complete Installation