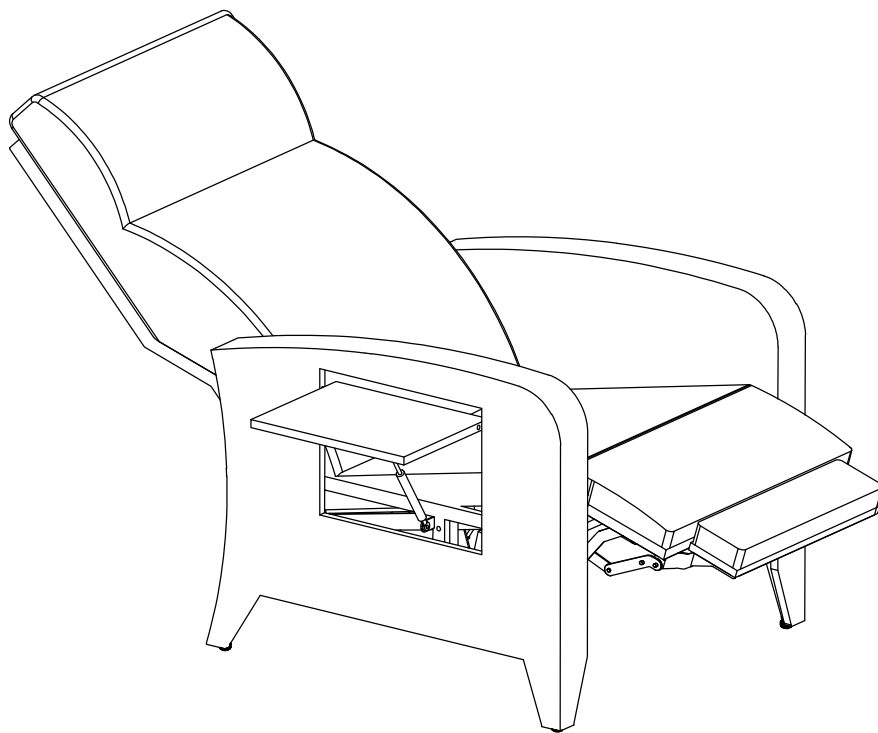


LOUNGE CHAIRS

ASSEMBLY INSTRUCTION



If you have any questions, feel free to email us at zzwservice@gmail.com

THANK YOU

Register and Get the Full Benefit

It's our way of saying thank you.

Register your product to enjoy a number of benefits:

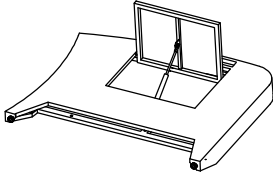
- (1) 1-year warranty extension
- (2) 24/7 quicker service and product support
- (3) Chance to test new products for free
- (4) Get specific discount on shop items

Register Way: Send " your name + order ID " to zzwservice@gmail.com

Assembly Instruction

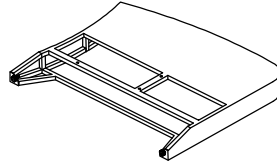
Parts List

A



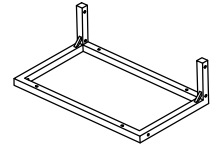
1PC

B



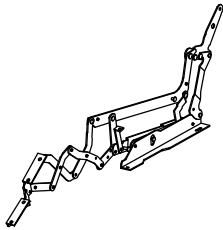
1PC

C



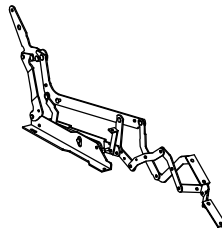
1PC

D



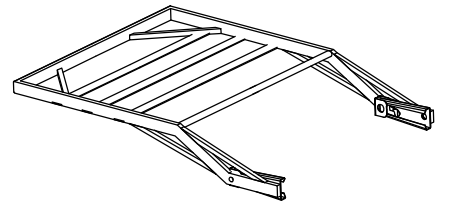
1PC

E



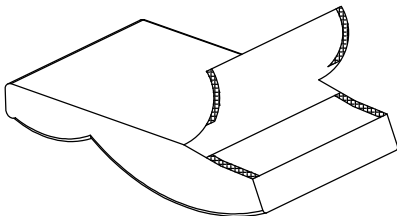
1PC

F



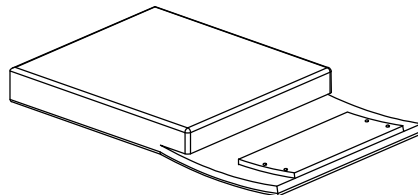
1PC

G



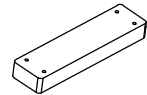
1PC

H



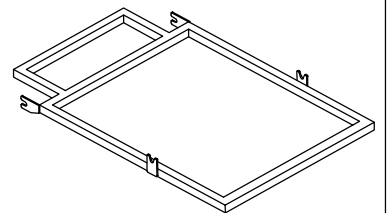
1PC

I



1PC


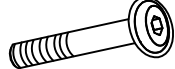




J



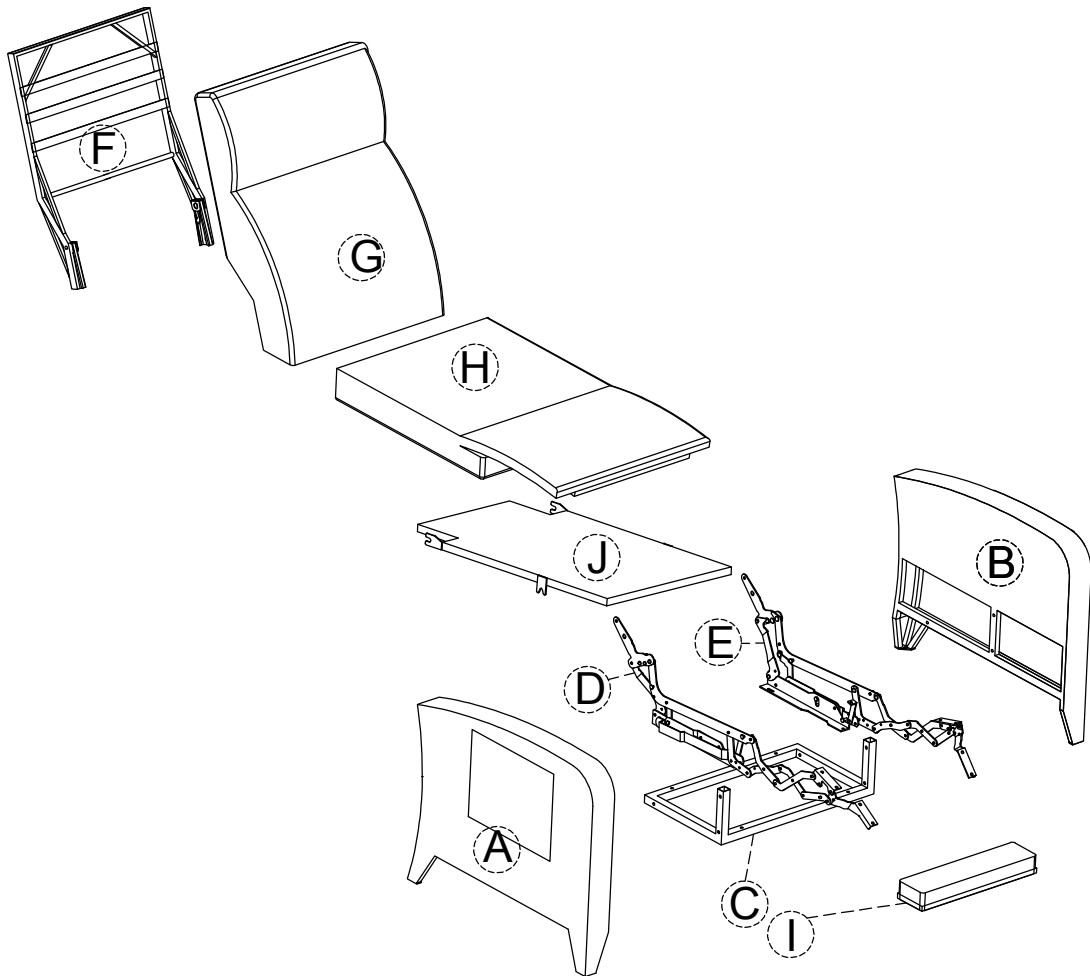
1PC

Assembly Instruction

Parts List

K  M6*15mm 8PCS	L  M6*40mm 4PCS	M  M6*50mm 6PCS
N  M6mm 10PCS	O  Allen Key(M6mm) 1PC	P  Wrench(M6) 1PC

Assembly Instruction



Assembly Instruction

STEP 1

A*1

B*1

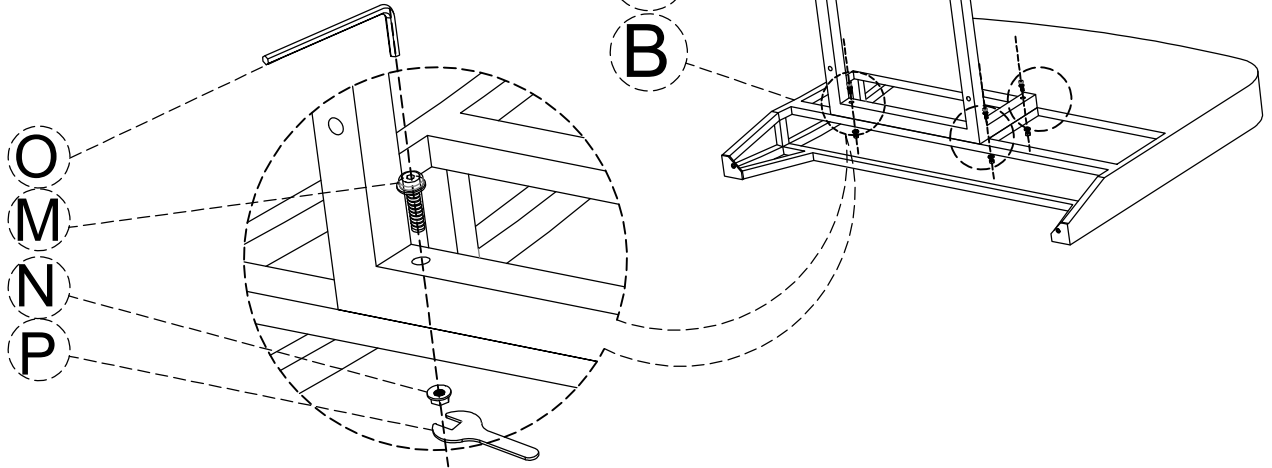
C*1

M*6

N*6

O*1

P*1



STEP 2

D*1

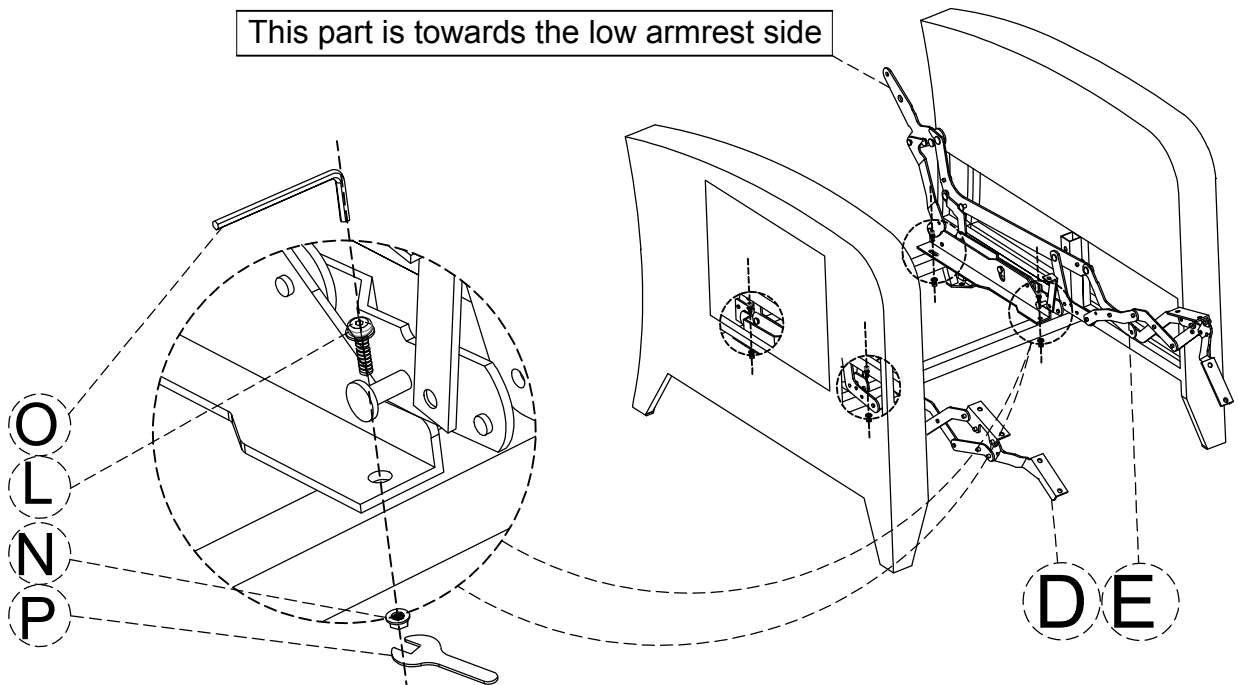
E*1

L*4

N*4

O*1

P*1

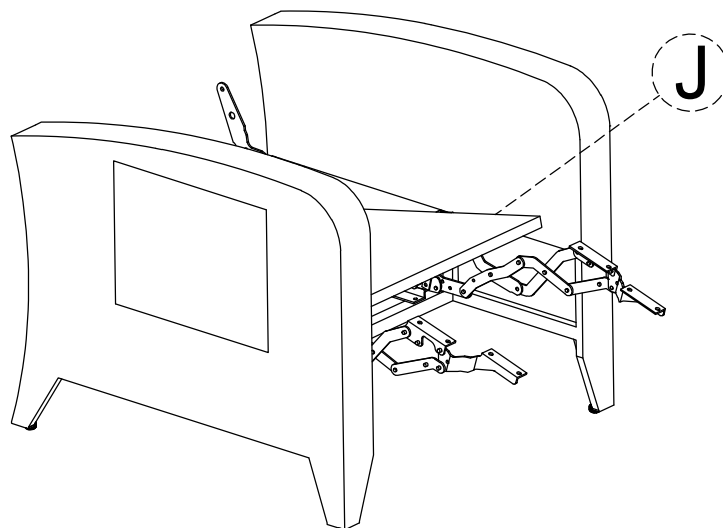


For this installation step, please tighten the screws to 100%

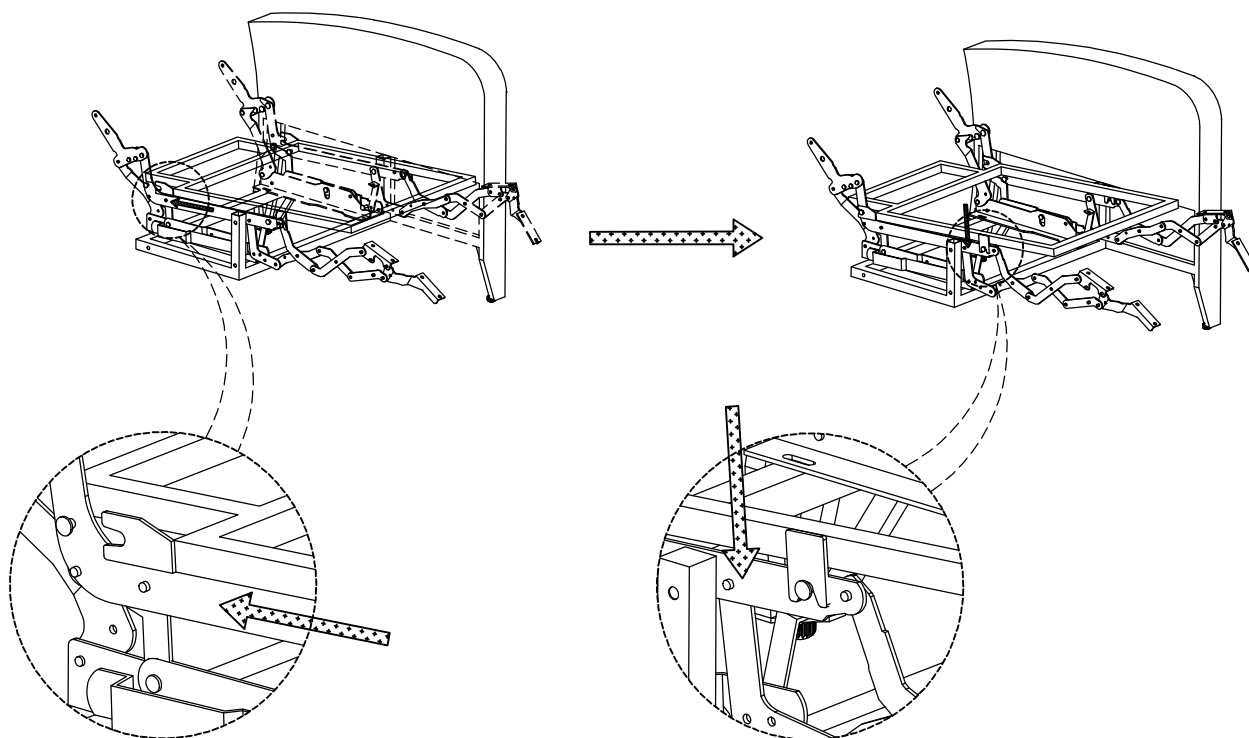
Assembly Instruction

STEP 3

J*1



Assembly diagram breakdown



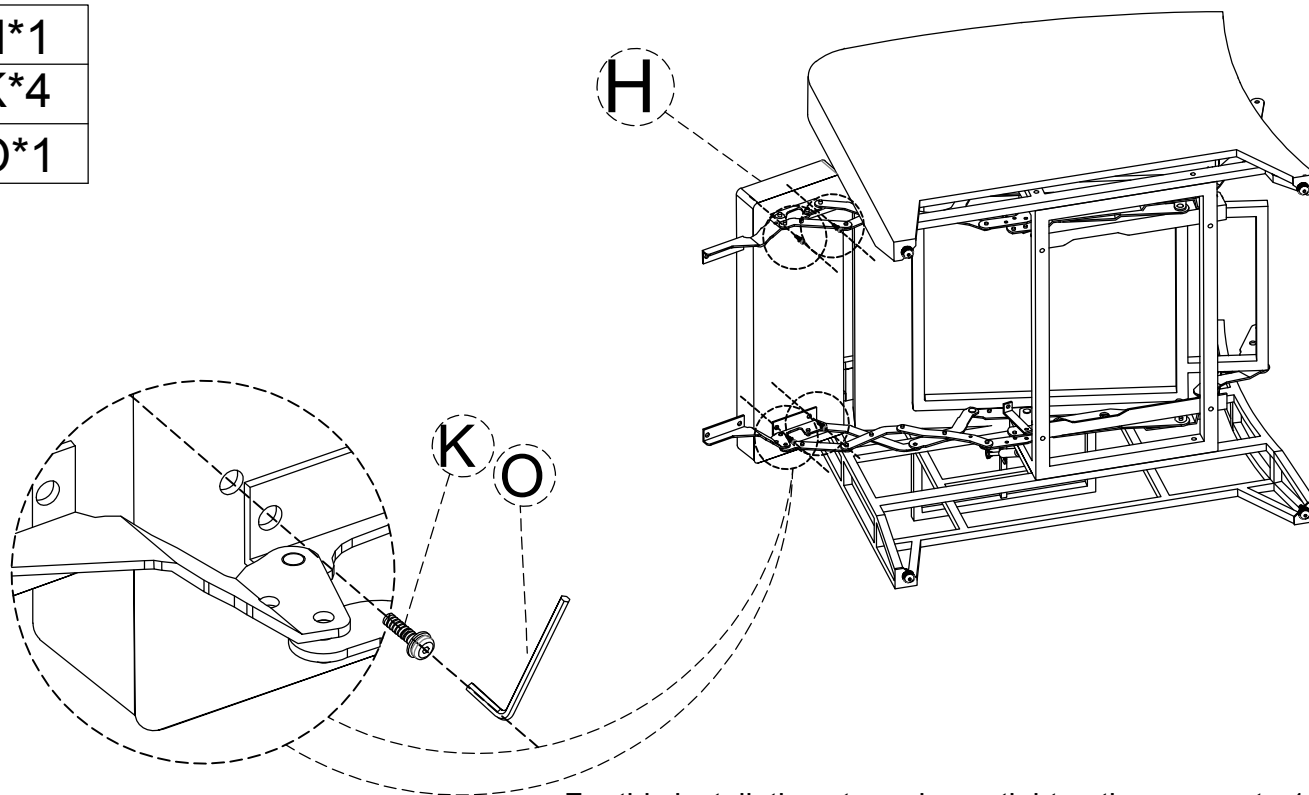
Assembly Instruction

STEP4

H*1

K*4

O*1



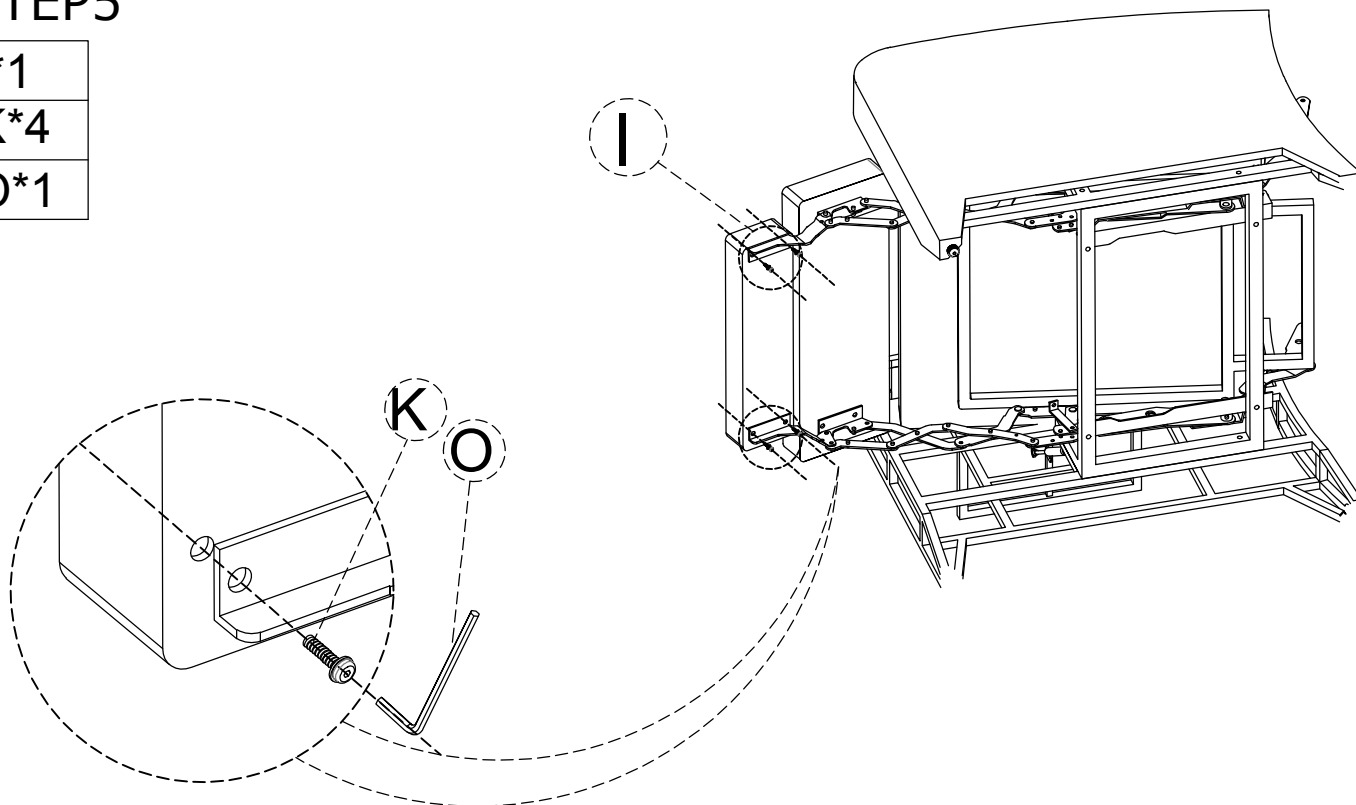
For this installation step, please tighten the screws to 100%

STEP5

I*1

K*4

O*1



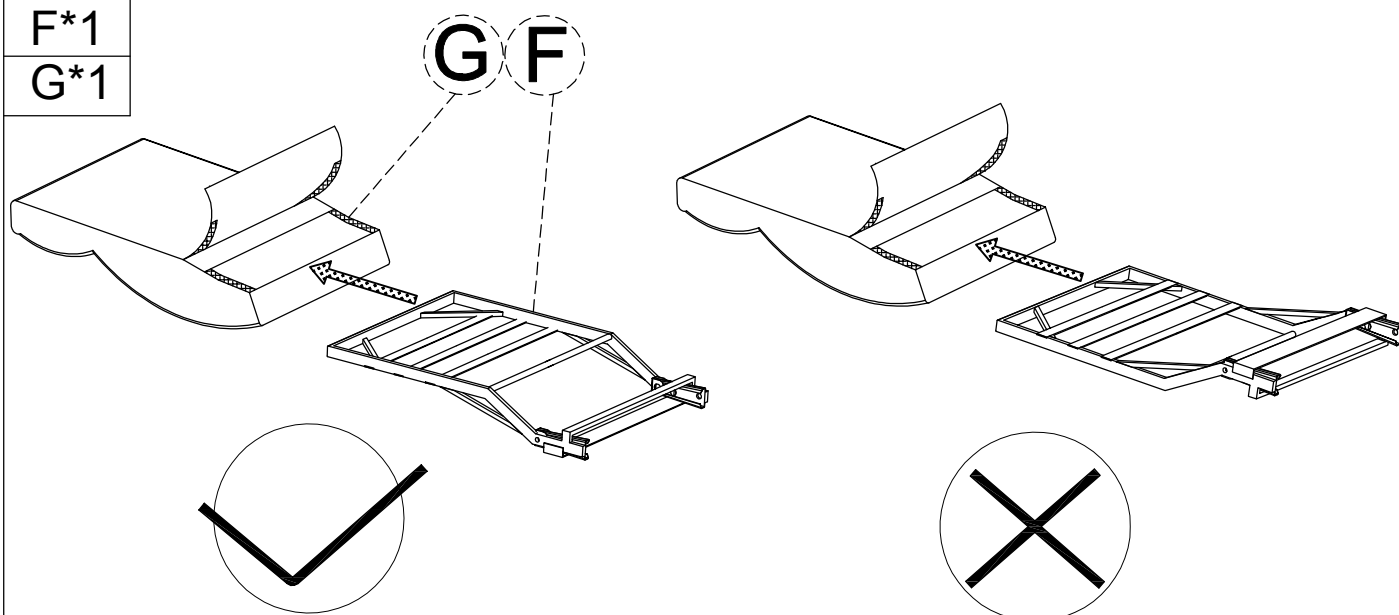
For this installation step, please tighten the screws to 100%

Assembly Instruction

STEP 6

F*1

G*1

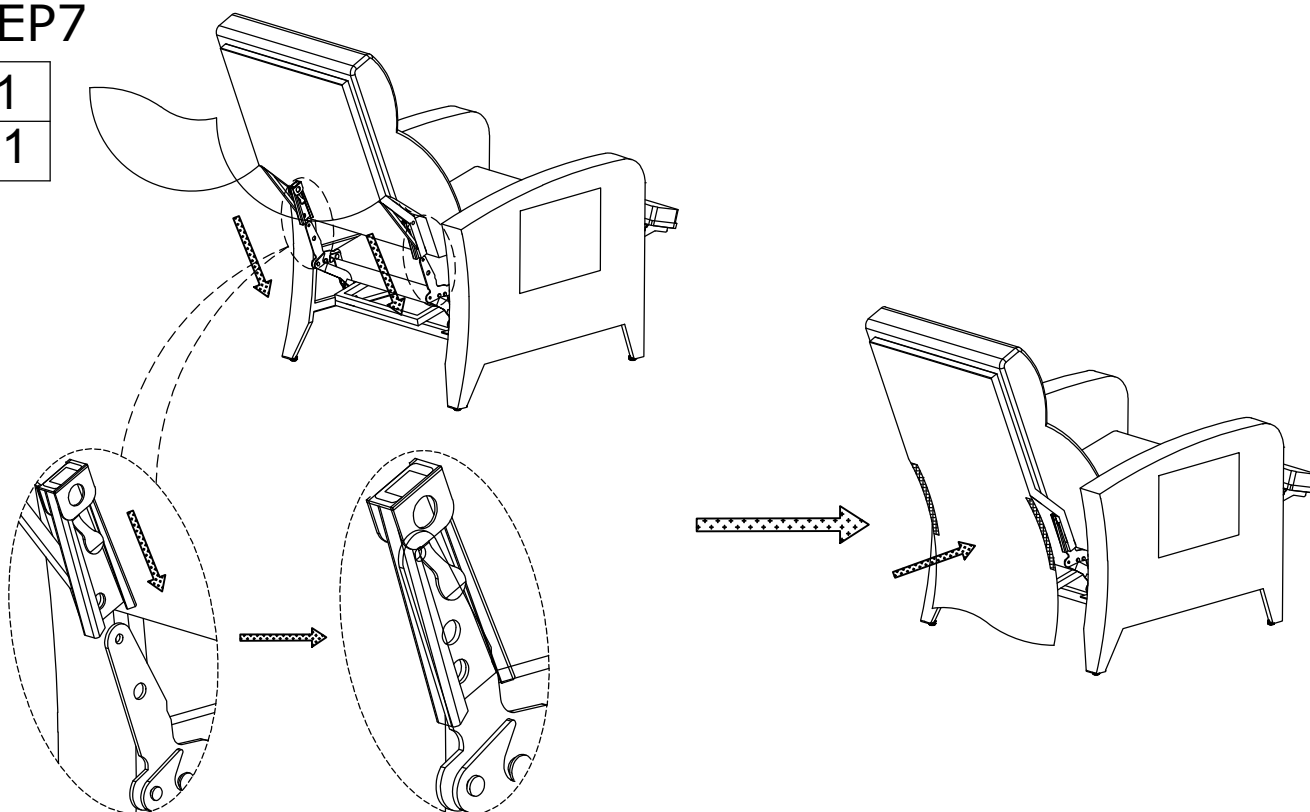


Please do not install the backrest backwards.

STEP 7

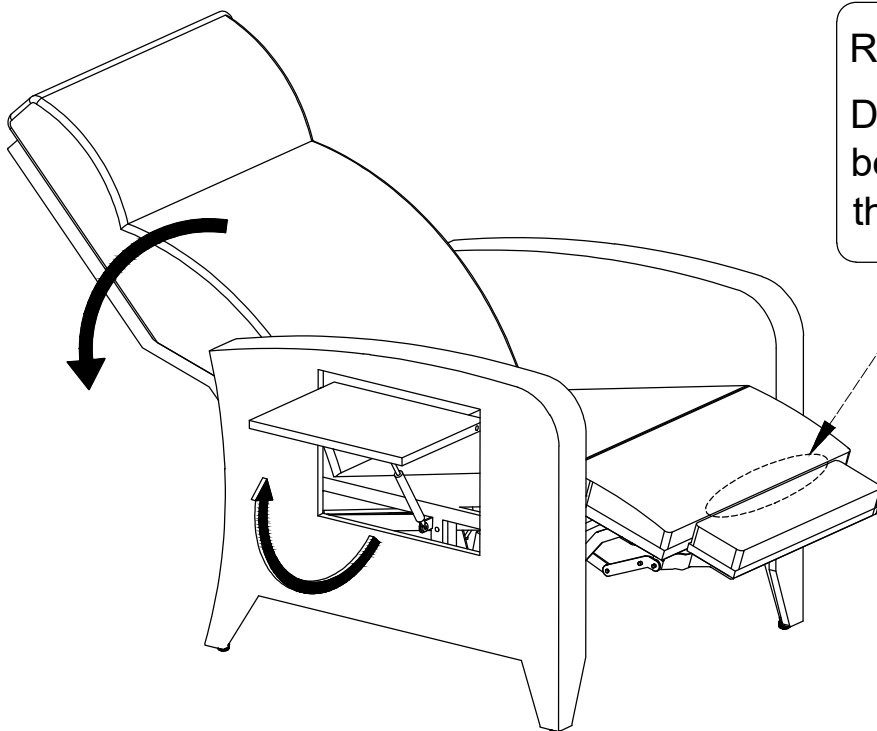
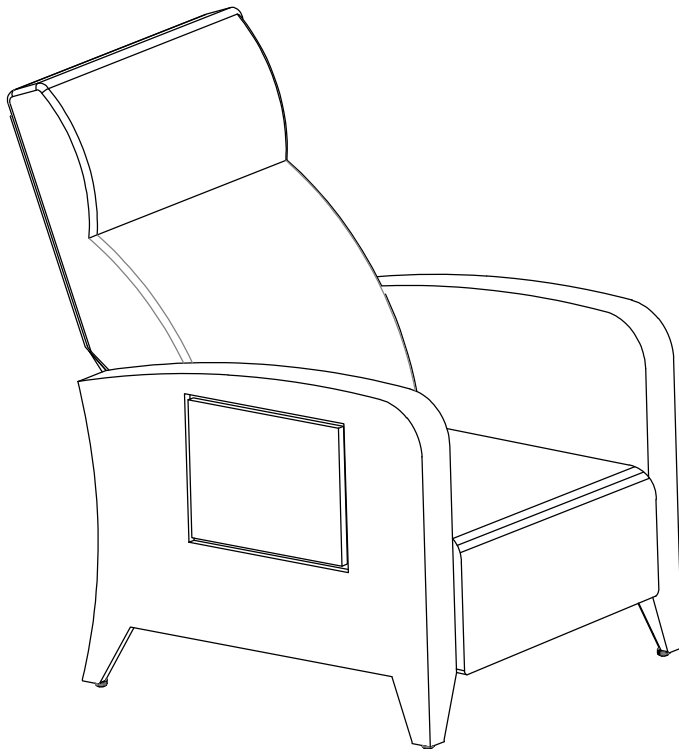
F*1

G*1



Assembly Instruction

STEP 8



Reminder:

DON'T put your hands
between the gaps in
the footrest

Adjust the backrest angle by gravity-sensing