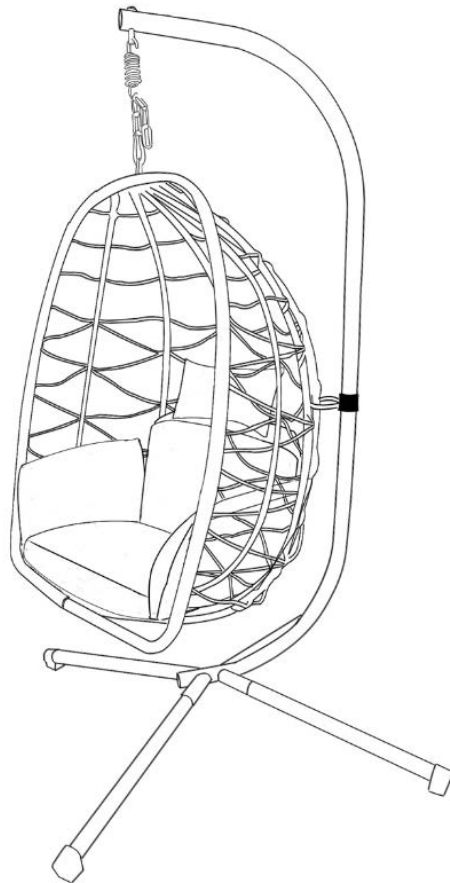


# SWING EGG CHAIR ASSEMBLY INSTRUCTION



If you have any questions, feel free to email us  
at [zzwservice@gmail.com](mailto:zzwservice@gmail.com)

# THANK YOU

## Register and Get the Full Benefit

It's our way of saying thank you.


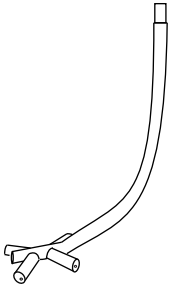
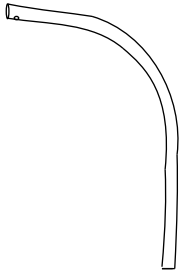
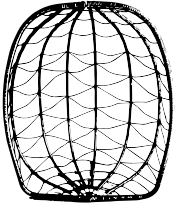
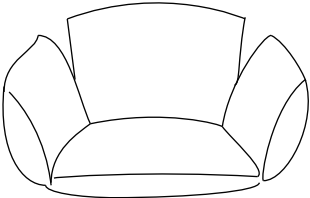


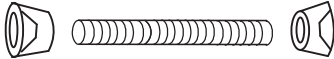
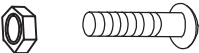
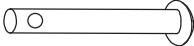
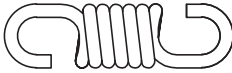
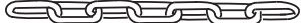
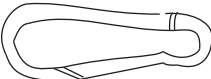

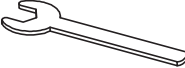
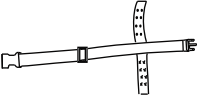
Register your product to enjoy a number of benefits:

- (1) 1-year warranty extension
- (2) 24/7 quicker service and product support
- (3) Chance to test new products for free
- (4) Get specific discount on shop items

Register Way: Send " your name + order ID " to [zzwservice@gmail.com](mailto:zzwservice@gmail.com)

# Assembly Instruction

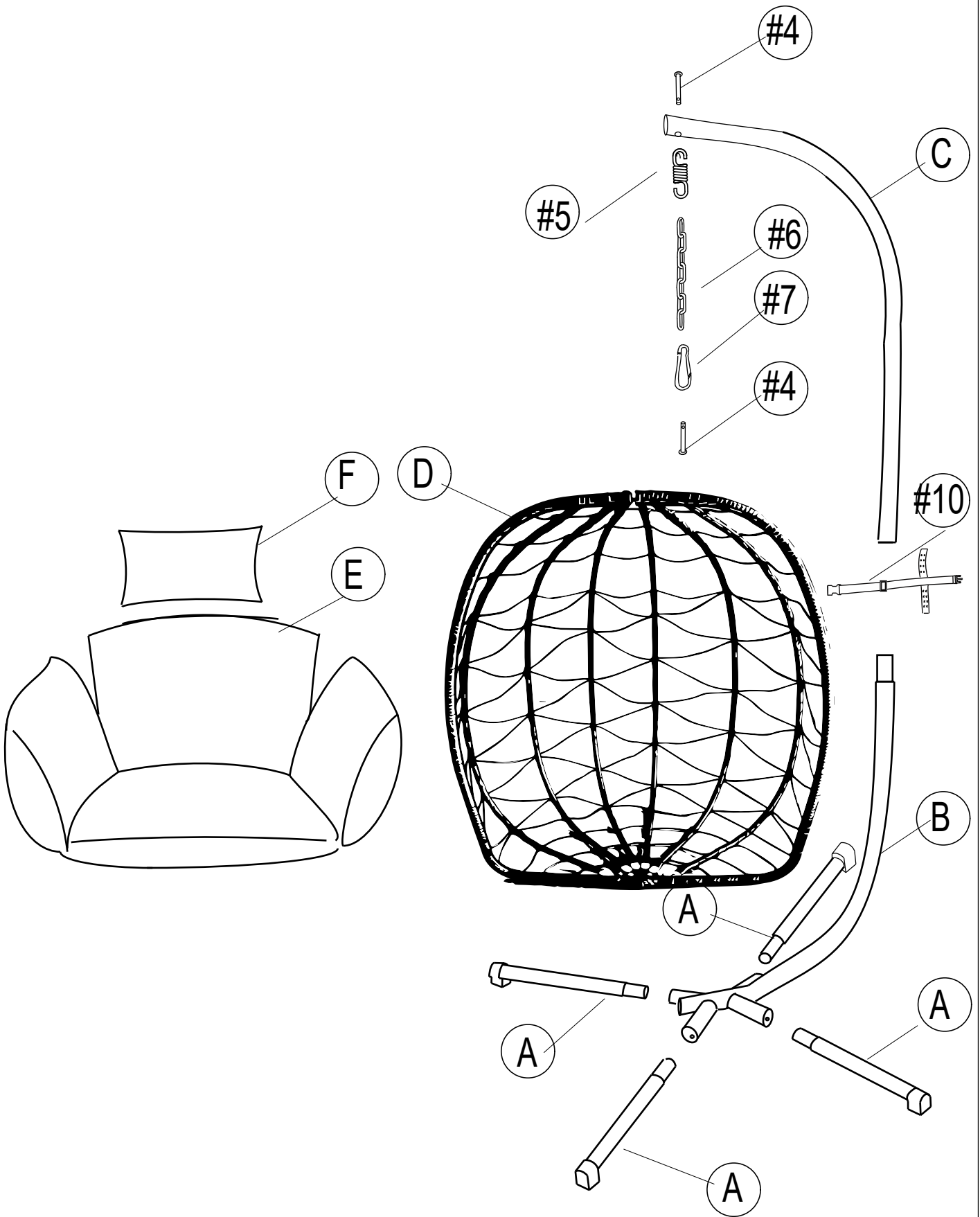
## Parts List

<b>A</b> 	<b>B</b> 	<b>C</b> 	<b>D</b> 
4PCS	1PC	1PC	1PC
<b>E</b> 	<b>F</b> 	<b>#1</b>  M6*15mm	<b>#2</b> 
1PC	1PC	4PCS	1PC
<b>#3</b>  M6*15mm	<b>#4</b>  M12	<b>#5</b> 	<b>#6</b> 
4PCS	2PCS	1PC	1PC
<b>#7</b> 	<b>#8</b> 	<b>#9</b> 	<b>#10</b> 
1PC	1PC	3PCS	1PC

## DANGER

1. Please assemble according to the installation steps in the manual.
2. During the assembly process, please tighten the screws by 80%. After all the screws are assembled, they can be tightened by 100%.
3. During assembly, please install it on the carpet or soft grass to avoid product damage. Thank you.

# Assembly Instruction



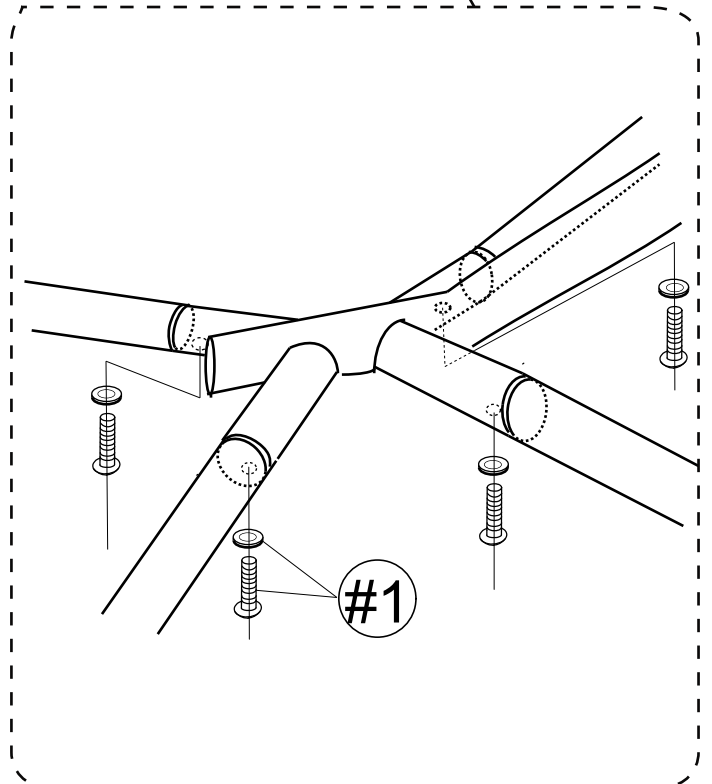
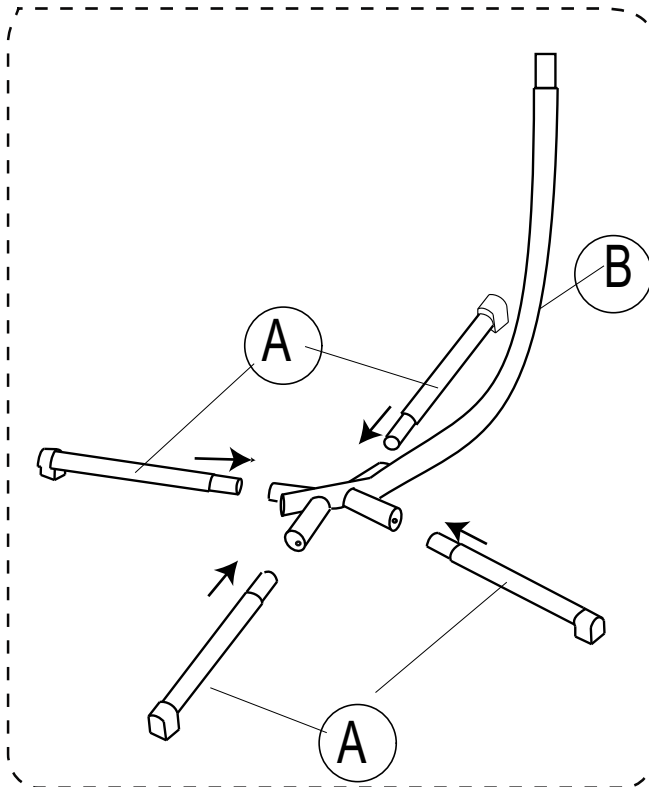
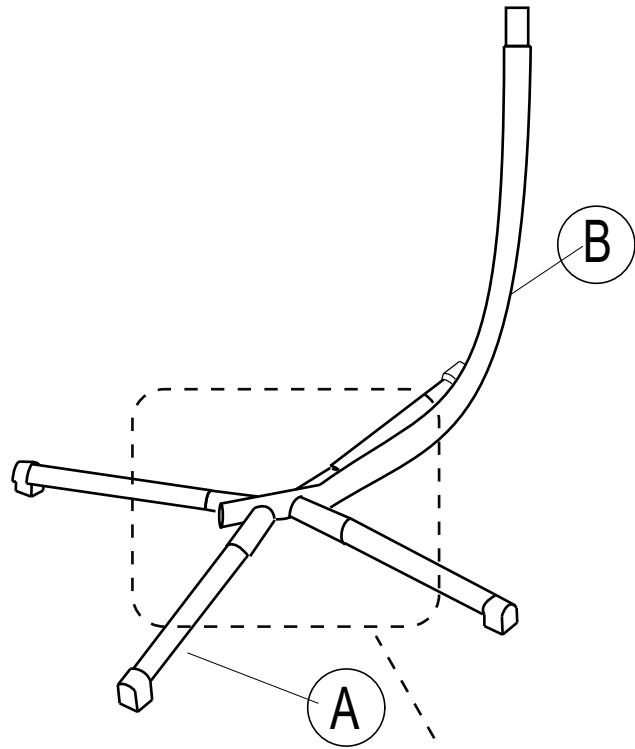
# Assembly Instruction

## STEP 1

A\*4

B\*1

#1\*4

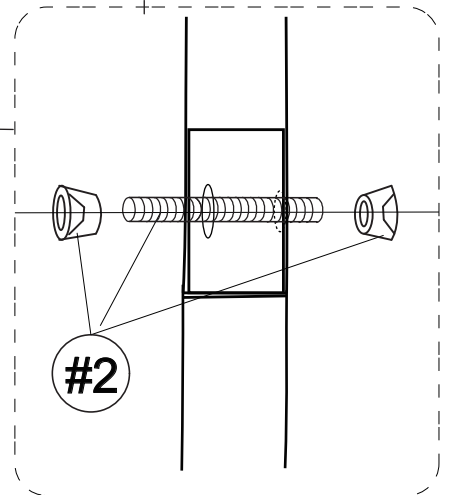
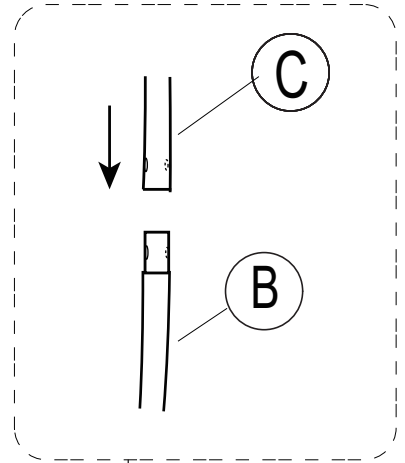
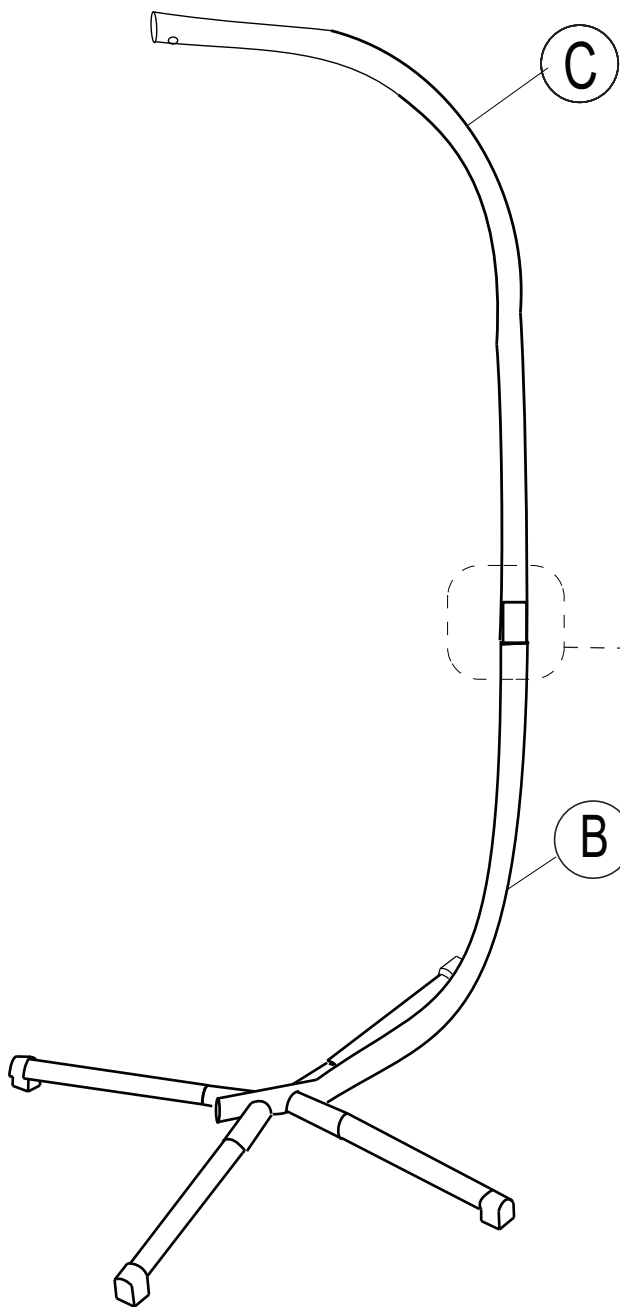


# Assembly Instruction

STEP 2

C\*1

#2\*1

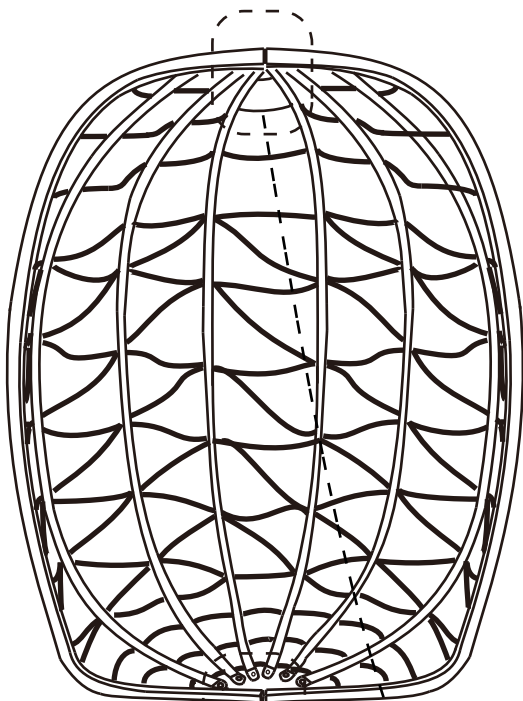


# Assembly Instruction

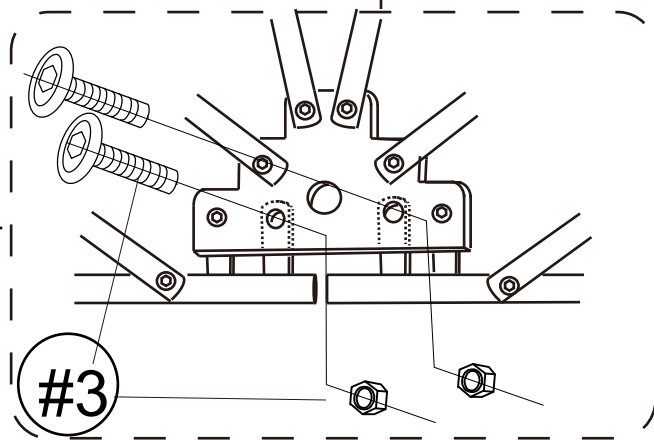
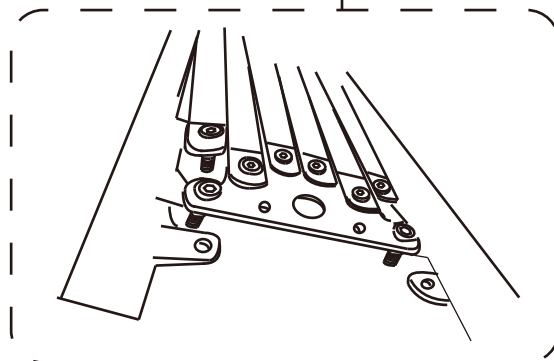
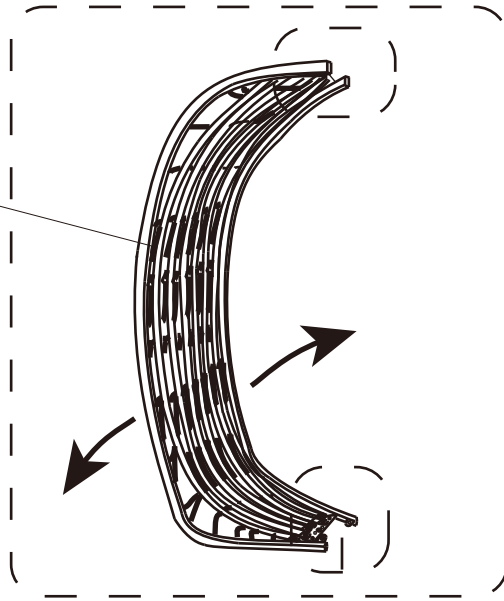
STEP 3

D\*1

#3\*4



D



# Assembly Instruction

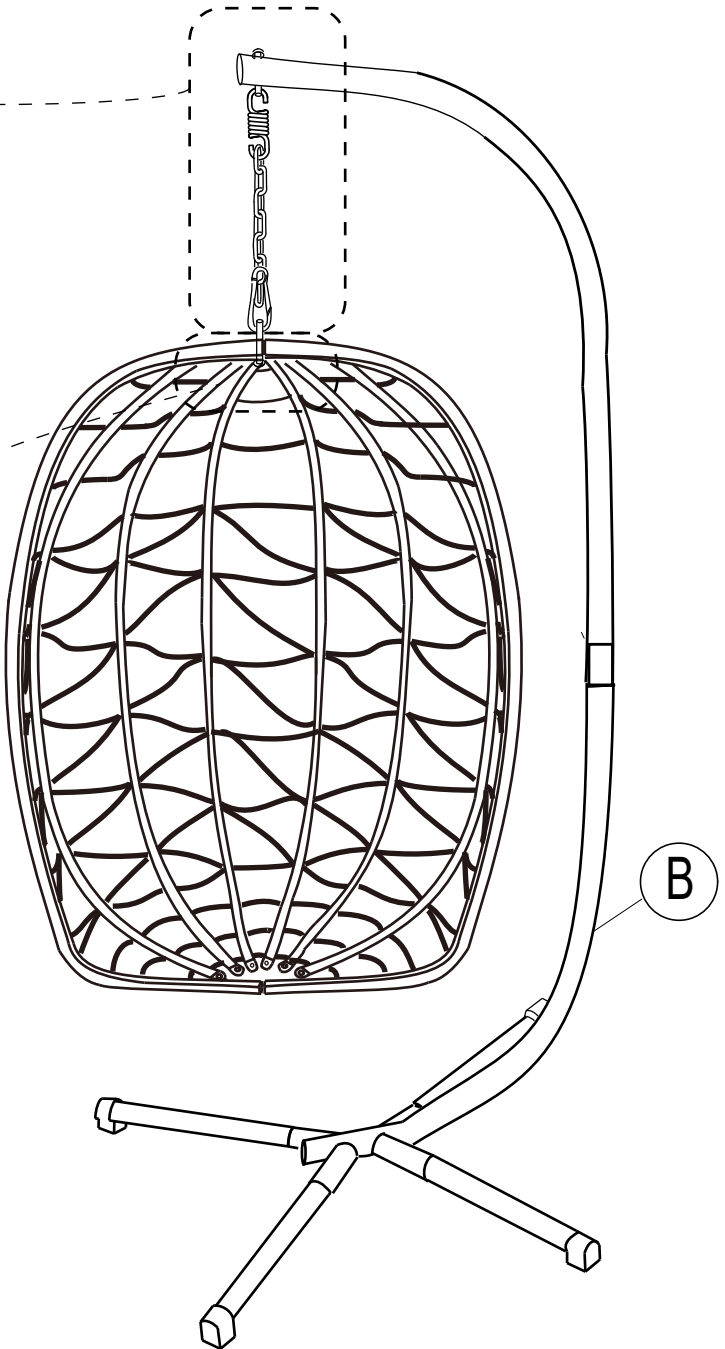
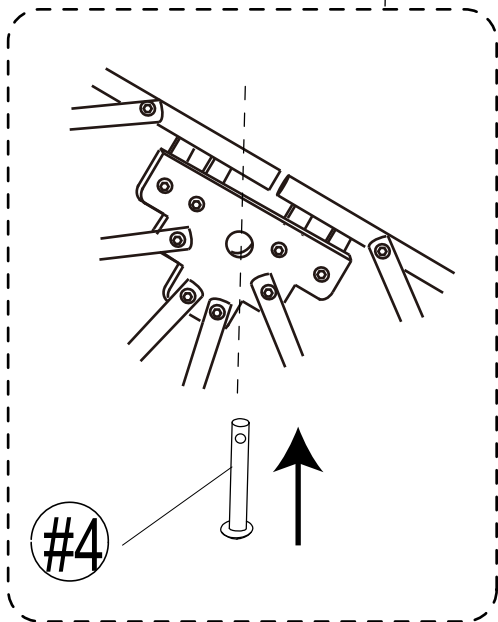
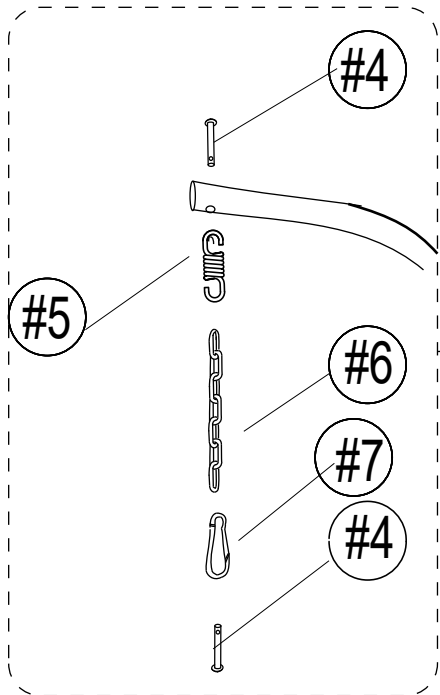
## STEP 4

#4\*2

#5\*1

#6\*1

#7\*1



# Assembly Instruction

## STEP 5

E\*1

F\*1

#10\*1

