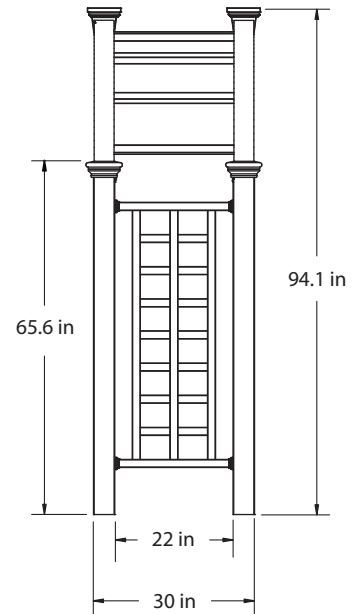
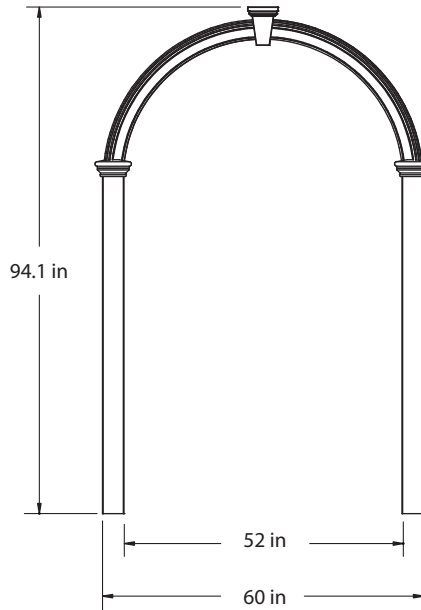
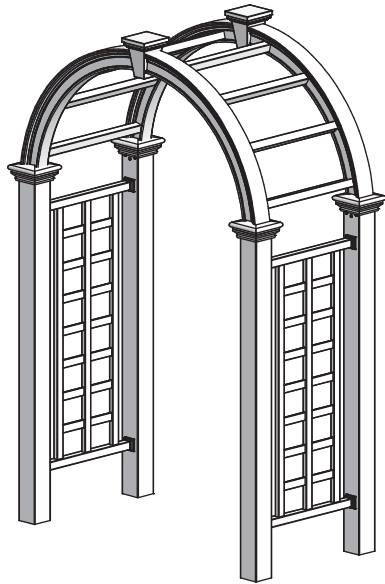


ASSEMBLY INSTRUCTIONS

VA84240 The Nantucket Deluxe Arbor



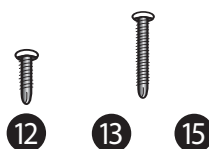
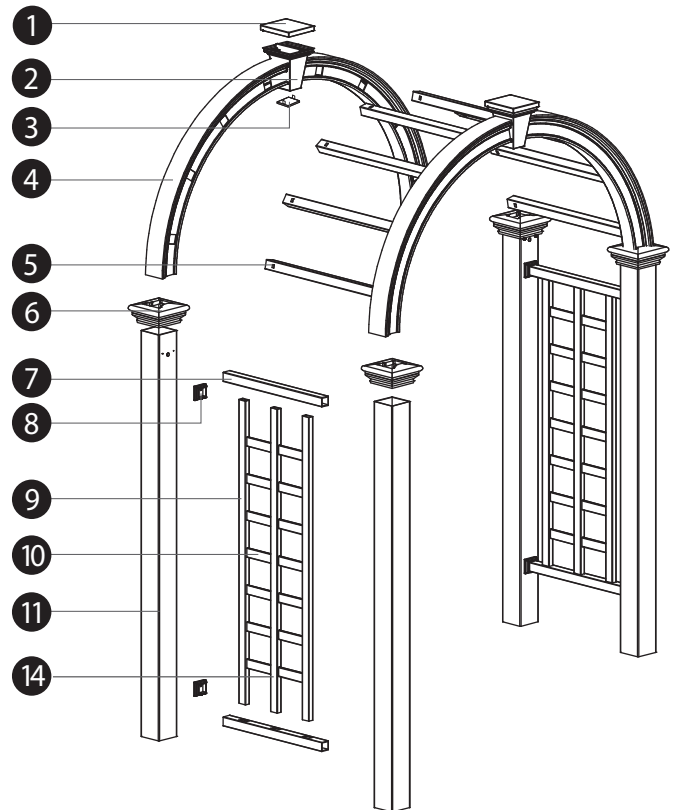
Please read through before starting assembly.

IMPORTANT: CHECK THE INSIDE OF YOUR POSTS FOR ALL MATERIALS.

Check Box for These Contents

In the event of missing or damaged parts please call our customer service dept. at 1 800 282 9346 (Mon. to Fri. 8:00 AM to 5:00 PM EST).

1. Keystone Top Lid with Inserts (2): *Lid - 10710-1, Insert- 10711-1*
2. Arch Keystones (2) - 10684-1
3. Keystone Bottom Plate (2) - 10712-1
4. Arches (4) - 10687-1
5. Arch Rafters (8) 1 1/2" x 1 1/2" x 27.9" - 10727-1
6. Post Caps (4) - 10728-1
7. Side Panel Horizontal Rails (4) 1 1/2" x 1 1/2" x 21.75" - 10729-1
8. Sur-Fit Bracket for Side Panel Horizontals (8) - 10730-1
9. Side Panel Vertical Spindles (4) 7/8" x 1 1/2" x 49" - 11198
10. Side Panel Horizontal Spindles (14) 1/4" x 1 1/2" x 15.25" - 10732-1
11. Posts (4) 4" x 4" x 65.5" - 10733-1
12. #8 x 1 1/2 in. (3.8 cm.) Stainless Steel Screws (for Sur-Fit Brackets) (24)- 20005
13. #8 x 2 1/2 in. (6.3 cm.) Stainless Steel Screws (for Keystone and Arch to Post Connection) (24) - 20009-1
14. Side Panel Vertical Center Spindle (2) 7/8 x 1 1/2" x 49" - 10731-1
15. #8 x 2 1/2 in. (6.3 cm.) Stainless Steel Screws (for wood post to post connection) (8) - 20009-1



(Not to scale)

General Information

- Read Instructions through carefully before beginning assembly.
- When assembling components, place on a non-abrasive surface (i.e. shipping box) to avoid scratching.
- We recommend an area approx 10'x 8' for unobstructed assembling.
- You should not need to use excessive force when assembling components.

Tools You Will Need

- Hammer
- Tape Measure
- Level
- Stool or Short Ladder
- Shovel or Auger
- Cordless Drill

Additional Materials Required

- 4 x 4 x 8' (244 cm) Long Wood Posts (4) (Only for Option 1)
- Concrete Ready Mix
* Purchase separately from your local lumber store

Installation Options - Choose one

(*purchasedseparately)

OPTION ONE - If Your Arbor:

- is going to be installed with fencing or a gate
- is located in a high wind or hurricane area
- is located in ground conditions that are not level

Consider Using:

***4" x 4" x 8' Long Wood Post (4)**

15 2 1/2" Stainless Steel Screws (8)

- Recommended to be installed in concrete footing

OPTION TWO - If Your Arbor:

- is intended to be used as a stand alone garden or pathway accent
- is located on level ground

Consider Using:

***4" EZ Mount Post (Package of 4)**

- Purchase from Vita, www.wearevita.com
- Instructions are included with the kit

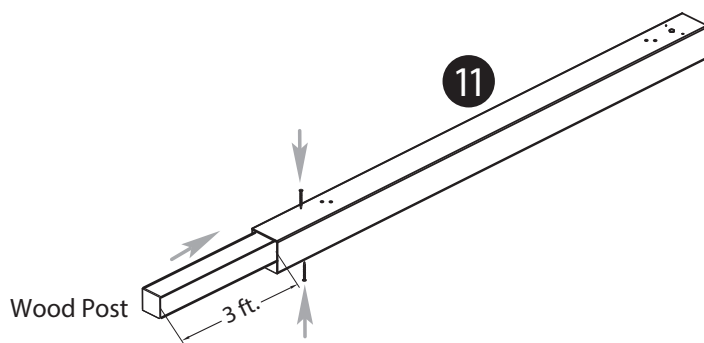
Important Note for Installation Option 1:

If you are planning on installing your arbor into the ground using pressure treated wood posts, we recommend installing the wood into the posts prior to securing the Sur-Fit brackets.

Insert the wood post into the bottom of the post until it is approximately 5 ft (152.4 cm) into the vinyl cavity with approximately 3 ft (91.45 cm) remaining at the bottom to insert into the ground. Repeat the same procedure for the remaining 3 posts.

Using two of the 2 1/2" screws provided per post, secure the bottom of the vinyl to the wood approximately approximately 9" up from the bottom of the vinyl sleeve leaving enough room for the installation of the Sur-Fit bracket in Step 3

If you are using Option 2 method, you can disregard this note..



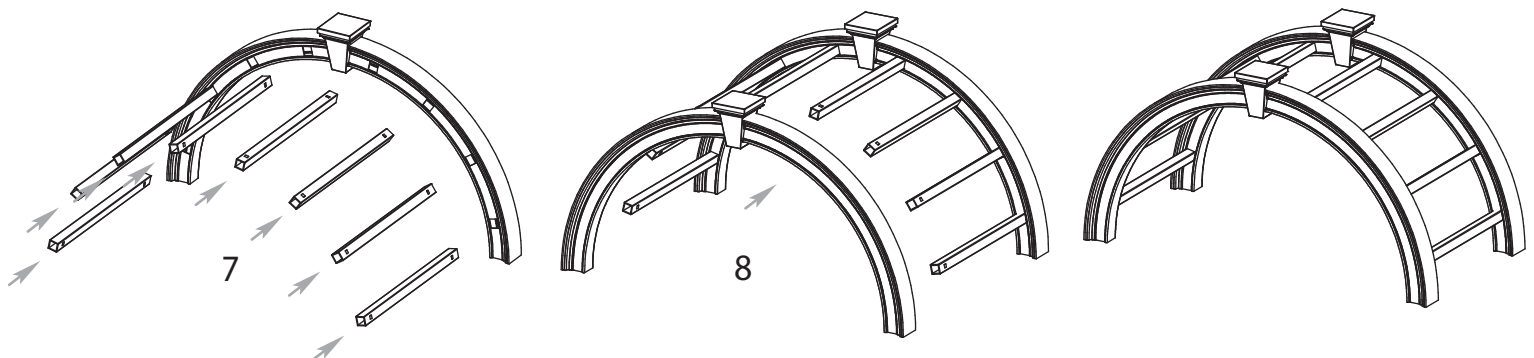
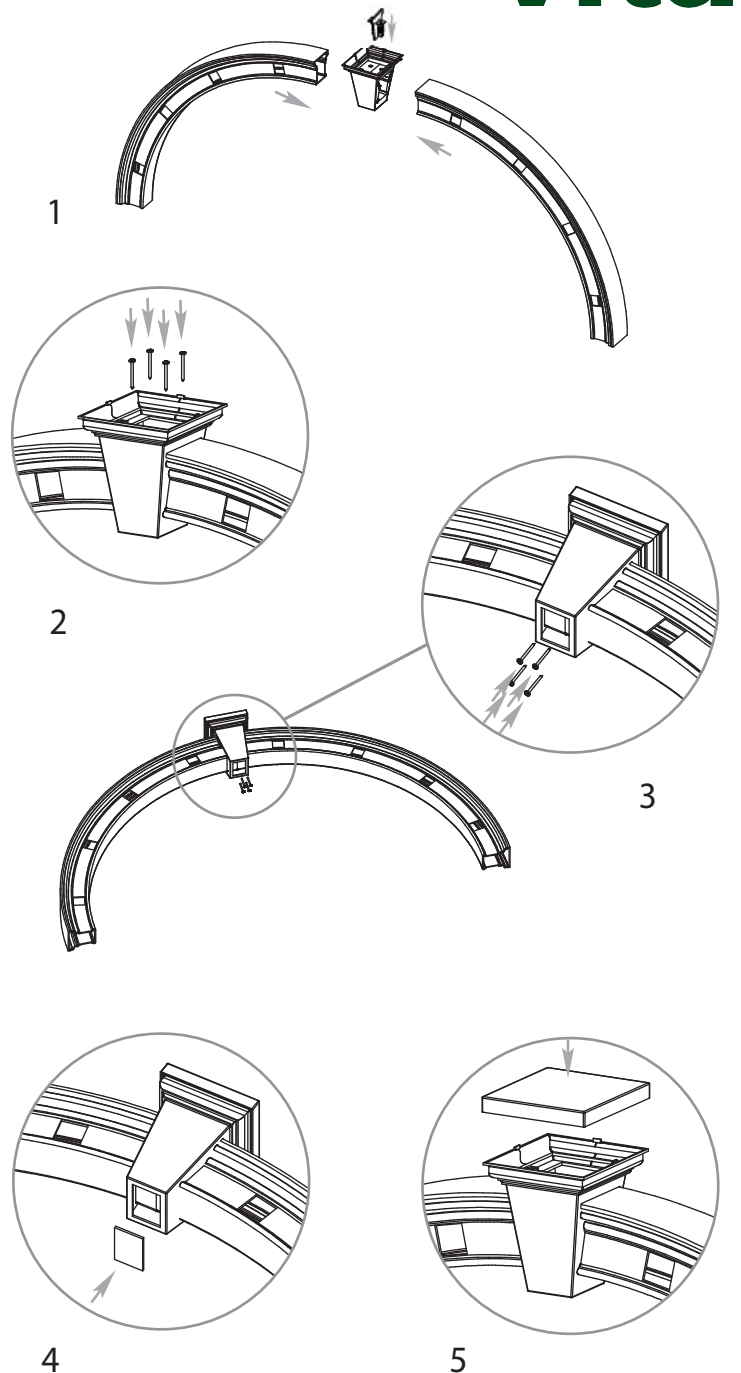
STEP ONE



Assemble the Arch System

NOTE: There are locking tabs located at the ends of each rafter. Once inserted and pushed into the routed holes, they will lock into place and cannot be removed.

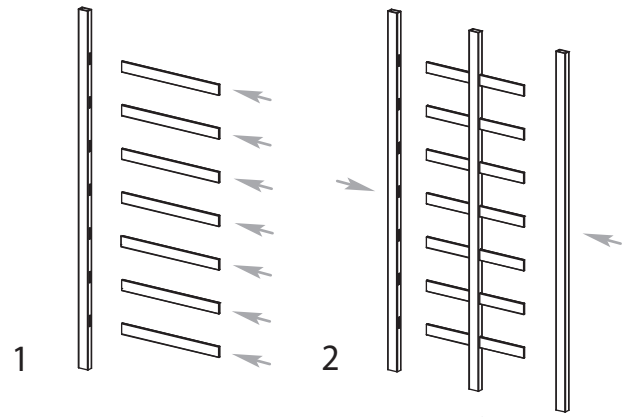
- 1** Insert arches into arch keystone ensuring they terminate flush to the internal connector.
- 2** Fasten the top of the arches to the keystone insert by installing 2 1/2 in. (6.4 cm.) screws into the two flanges on either side of the top of the insert.
- 3** Invert the arch system and install four screws 2 1/2 in. (6.4 cm.) from the bottom of the keystone into the two flanges on either side of the bottom of the insert. This will connect the bottom of the arches to the insert.
- 4** Seal the bottom hole on keystone by inserting the bottom plate as provided.
- 5** Install the top cap on the arch keystone. Ensure keystone cap is pushed down firmly so the cap locks into position.
- 6** Repeat for other arch.
- 7** Insert arch rafters (8) into the holes on the arches until they bottom out inside the arches. There are "locking tabs" located at each end of these rafters that once inserted into the holes will lock into place.
- 8** Fit opposite arch system over rafters.



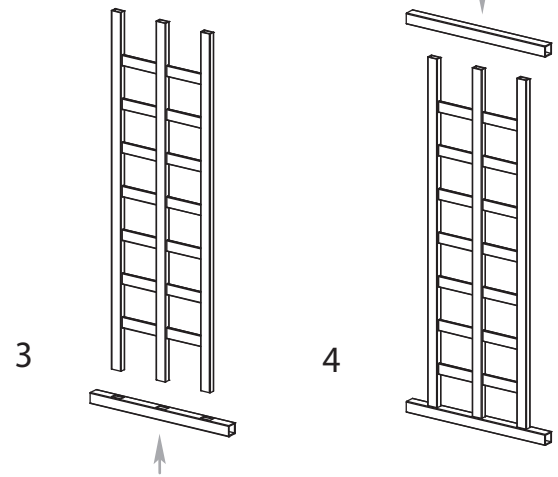
STEP TWO

Assemble the Side Panels

- 1 Insert the horizontal spindles into the middle vertical spindle (holes on both sides).
- 2 Slide the two outer vertical spindles into position as illustrated.
- 3 Layout the bottom horizontal rail and insert the vertical spindles.
- 4 Slide top horizontal rail into position.
- 5 Repeat for other panel.



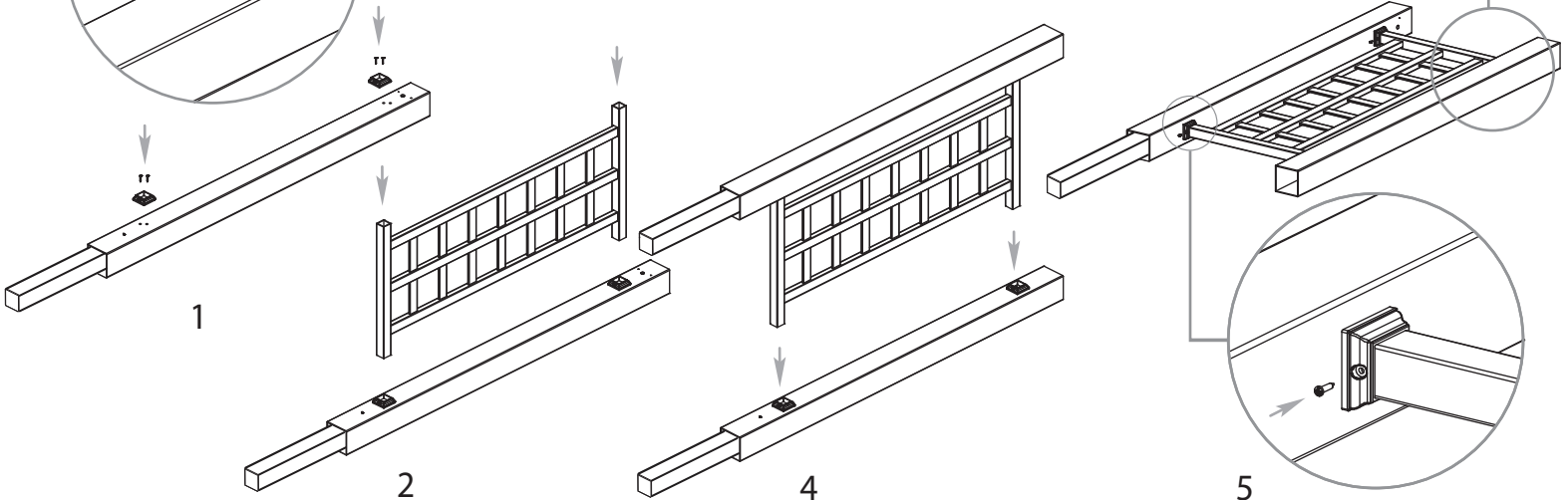
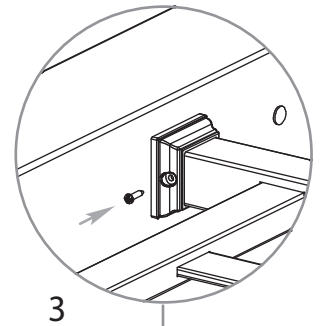
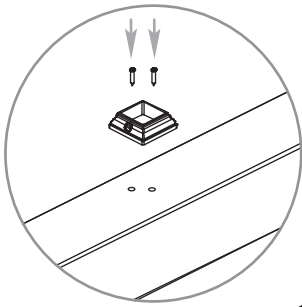
11



STEP THREE

Attach Sur-Fit Brackets

- 1 Attach Sur-Fit Brackets (using small screws) onto posts using the pre-drilled holes as guides. Single hole on the side of brackets to face down.
- 2 Set out one post and insert the assembled side panel.
- 3 Fasten horizontal rails into Sur-Fit Brackets using small screws.
- 4 Layout the opposite post and insert the finished side panel with post connected.
- 5 Fasten horizontal rails into Sur-Fit Brackets using small screws.
- 6 Repeat for other side panel.



STEP FOUR

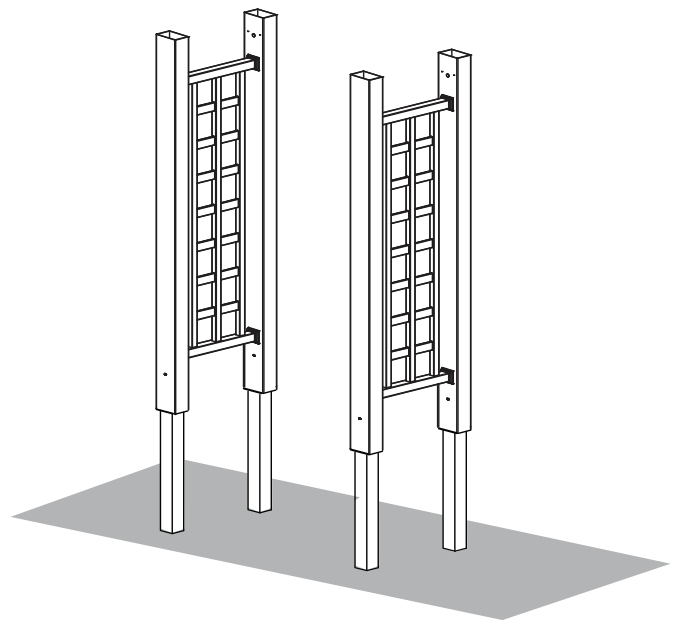
Install the Side Panels

Into Earth with Concrete Footing (Option One)

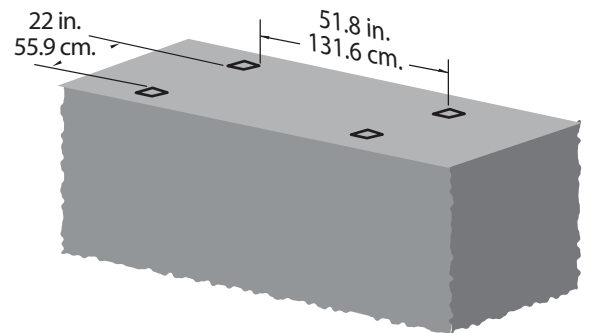
Arbors must be well secured to prevent tipping over from wind load, etc.

- 1** Move the side panels to their final location (you will need a helper).
- 2** When you have identified the location of each post, as indicated by the measurements on the first page of these instructions, mark the positions of the posts, then move the panels aside.
- 3** Excavate four holes approx 36 in. (91.4 cm.) deep. The location and excavation of these four holes is the most critical step and should be completed with care. T
- 4** Carefully move the side panels back into position and level both horizontal and vertically.
- 5** Check your measurements to confirm posts are placed correctly to receive arch system. **THIS IS A CRITICAL STEP.**

* Do not backfill the holes with cement at this stage

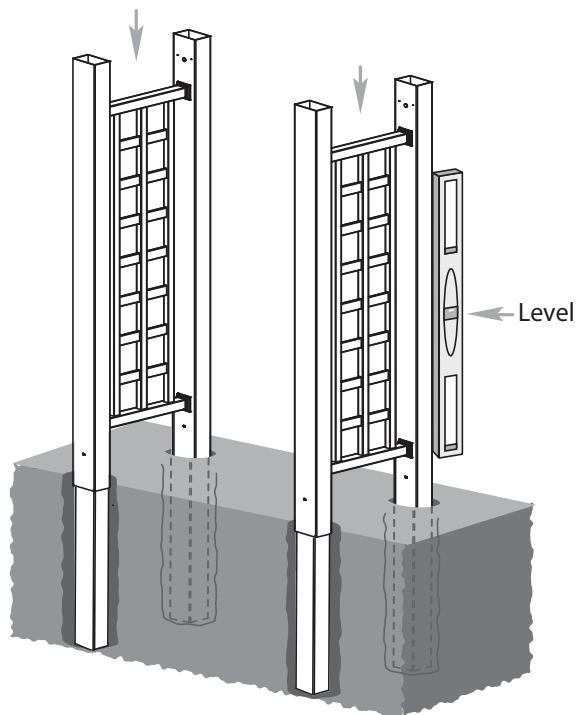


1

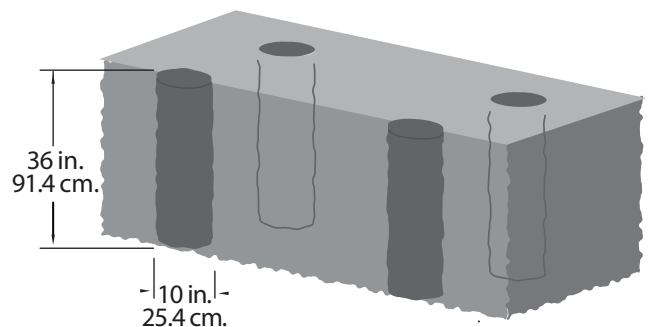


(Measurements are approximate)

2



4



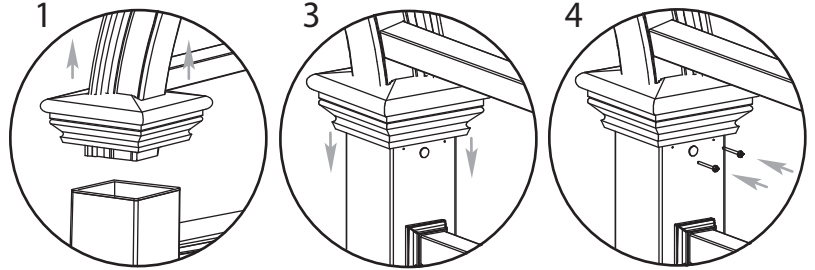
3

STEP FIVE

vita

Connect the Arch System to the Side Panels

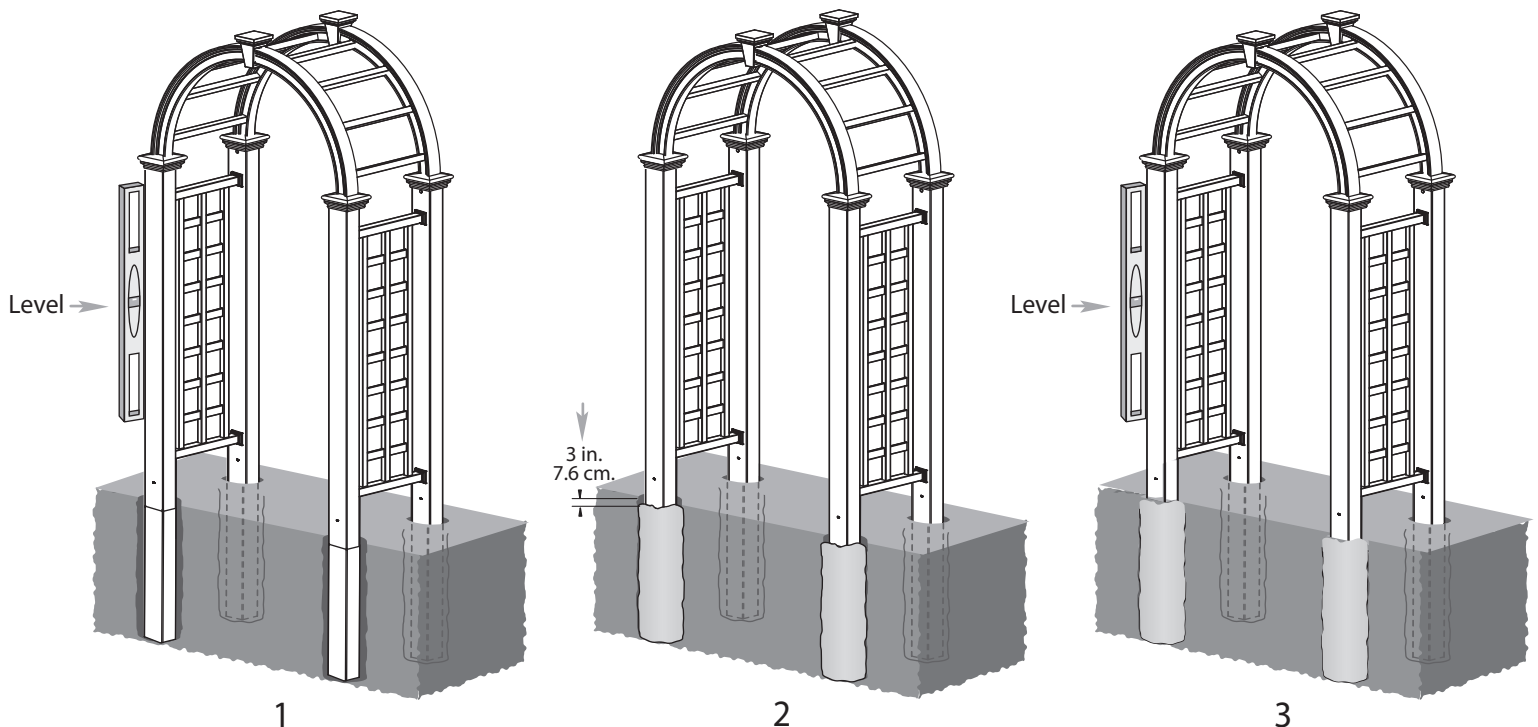
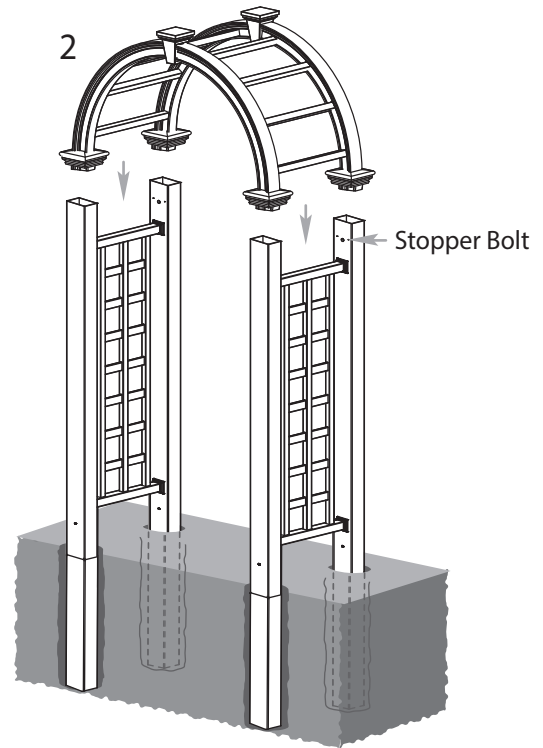
- 1 Temporarily position post caps on bottoms of arches.
- 2 With a helper, insert the bottom of the arches into the posts until the arch rests on the stopper bolts.
- 3 Slide post caps down into position.
- 4 Install long screws into the two pre-drilled holes per posts.



STEP SIX

Fill Excavated Holes

- 1 Ensure that posts and side panels are level.
- 2 Fill around the posts with wet cement within 3 in. (7.6 cm.) of ground level.
- 3 Complete a final level check both horizontally and vertically, and backfill the remaining space between concrete and ground level with topsoil.

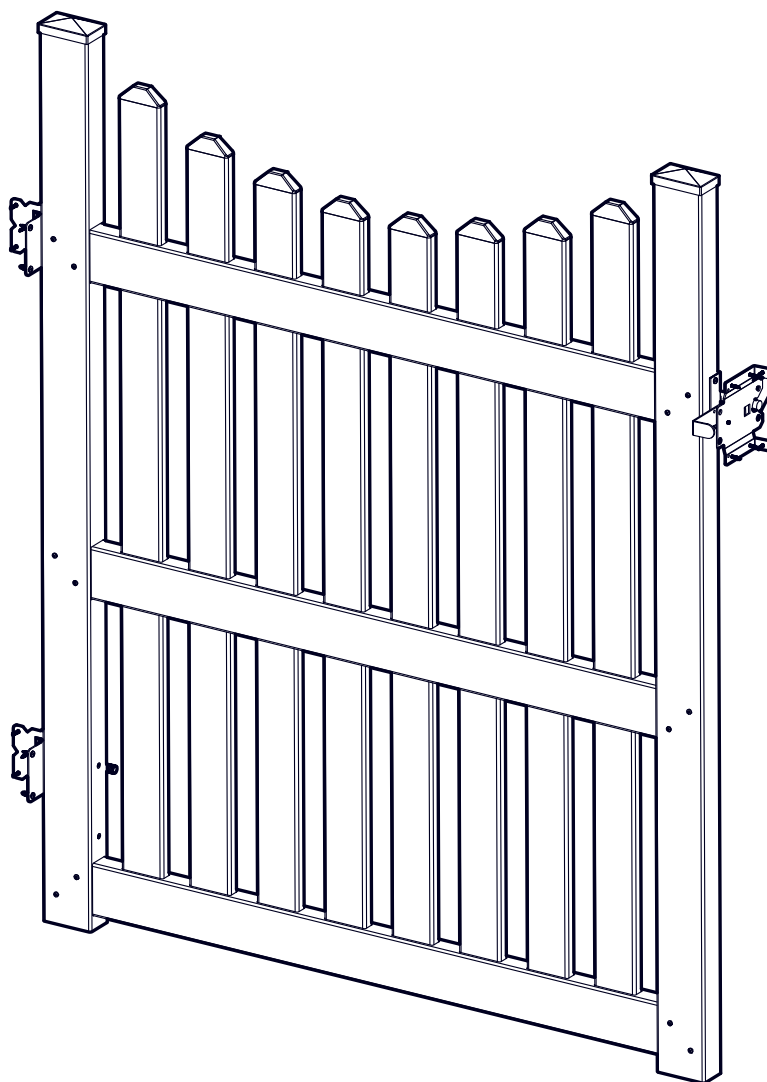




CLASSIC 60" GATE PORTAIL CLASSIQUE 60" PUERTA CLASSIC 60"

VA84225

CLASSIC
CLASSIQUE
CLÁSICO



REQUIRED TOOLS AND MATERIALS (NOT INCLUDED)
 OUTILS ET MATÉRIAUX REQUIS (NON INCLUS)
 HERRAMIENTAS Y MATERIALES REQUERIDOS (NO INCLUIDOS)



PHILLIPS #2



[WEAREVITA.COM](https://www.wearevita.com)

Click - Cliquer - Hacer Clic
"Chat"



[WEAREVITA.COM/SUPPORT](https://www.wearevita.com/support)



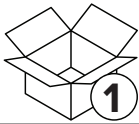
HELLO@WEAREVITA.COM



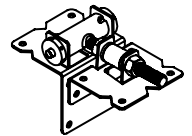
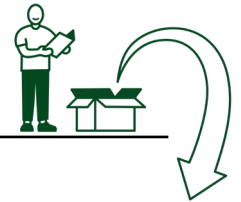
1-800-282-9346



@VITAHOMEANDGARDEN



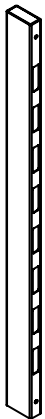
PARTS LIST
LISTE DES PIÈCES
LISTADO DE PIEZAS



12
x2



1
x1



2
x1



3
x1



4
x1



5
x1



6
x2



7
x2



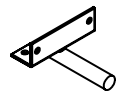
8
x2



9
x2



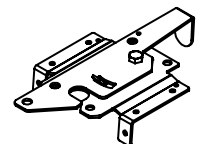
10
x12



13
x1

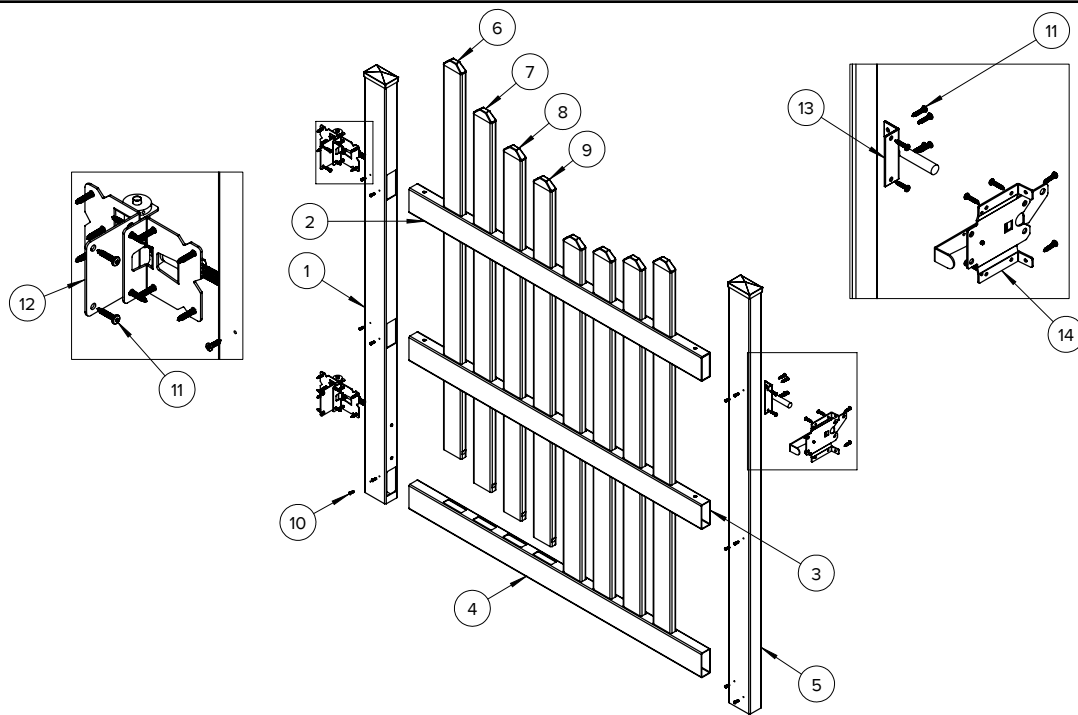


11
x38



14
x1

2

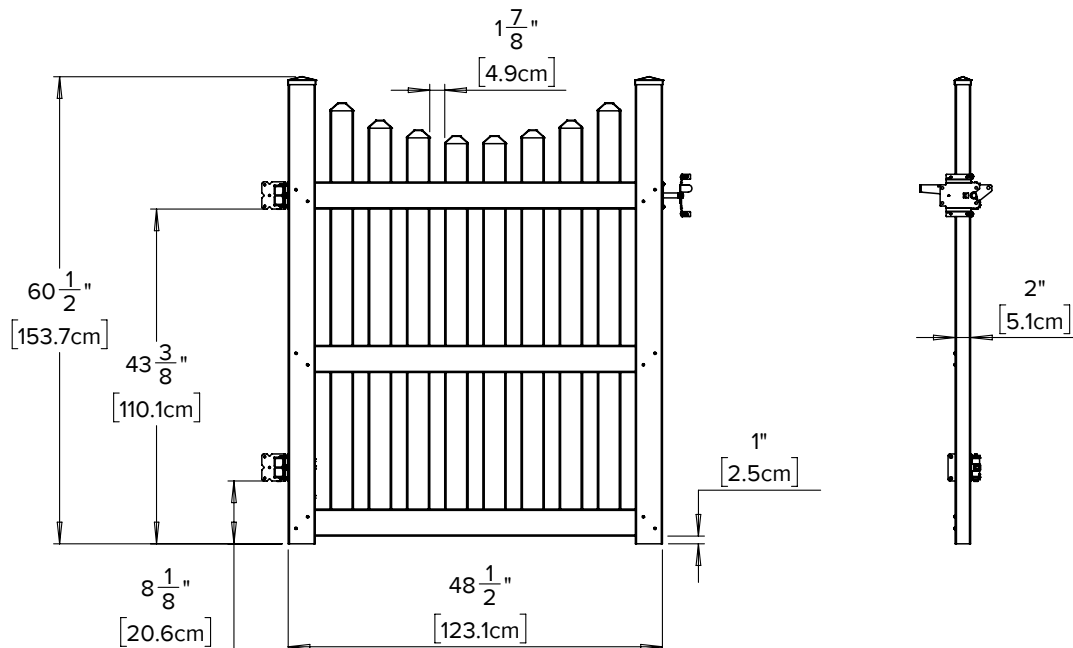


Item No.	Part Number	Description	Dimensions	Qty.
1	10361	Left Post	2" x 3 1/2" x 60 1/2" (5.1cm x 8.9cm x 153.6cm)	1
2	10363	Top Rail (Wood reinforced)	1 1/2" x 3 1/2" x 48 1/4" (3.8cm x 8.9cm x 122.5cm)	1
3	10360	Middle Rail	1 1/2" x 3 1/2" x 48 1/4" (3.8cm x 8.9cm x 122.5cm)	1
4	10359	Bottom Rail	48 1/4" x 3 1/2" x 1 1/2" (122.5cm x 8.9cm x 3.8cm)	1
5	10362	Right Post	2" x 3 1/2" x 60 1/2" (5.1cm x 8.9cm x 153.6cm)	1
6	10355	Vertical Spindle A	7/8" x 3" x 56" (2.2cm x 7.6cm x 142.2cm)	2
7	10356	Vertical Spindle B	7/8" x 3" x 53 3/4" (2.2cm x 7.6cm x 136.5cm)	2
8	10357	Vertical Spindle C	7/8" x 3" x 52 1/2" (2.2cm x 7.6cm x 133.3cm)	2
9	10358	Vertical Spindle D	7/8" x 3" x 51 3/4" (2.2cm x 7.6cm x 131.4cm)	2
10	20016	Short Screw	#8 x 5/8" (1.6cm)	12
11	20126	Long Screw	#10 x 3/4" (1.9cm)	38
12	20083	Hinge	2 3/4" x 4 1/4" (6.8cm x 10.6cm)	2
13	20084	Latch	3 3/4" x 3 5/8" (9.6cm x 9.1cm)	1
14	20085	Catch	9 3/8" x 1 5/8" (23.7cm x 4.1cm)	1

PRODUCT DIMENSIONS

DIMENSIONS DU PRODUIT

DIMENSIONES DEL PRODUCTO



IMPORTANT NOTE! BEFORE YOU BEGIN ASSEMBLING THE GATE

THIS GATE IS COMPATIBLE WITH THE NANTUCKET DELUXE ARBOR (VA84240) AND FAIRFIELD DELUXE ARBOR (VA84242).

IF YOU HAVE THE FAIRFIELD ARBOR (VA84226) OR NANTUCKET LEGACY ARBOR (VA84250), PLEASE FOLLOW THESE ADDITIONAL MODIFIED INSTALLATION STEPS:

1. PURCHASE TWO WOOD BOARDS: 1" X 4" X 60" (2.5CM X 10.1CM X 152.4CM)
2. LAY ARBOR POST ON THE GROUND AND INSERT BOARDS INTO INNER POSTS TO SUPPORT HINGE INSTALLATION (SEE IMAGE BELOW)

NOTE IMPORTANTE ! AVANT DE COMMENCER L'ASSEMBLAGE DE LA BARRIÈRE

CETTE GRILLE EST COMPATIBLE AVEC LA TONNELLE NANTUCKET DELUXE (VA84240) ET LA TONNELLE FAIRFIELD DELUXE (VA84242).

SI VOUS AVEZ LA TONNELLE FAIRFIELD (VA84226) OU LA TONNELLE NANTUCKET LEGACY (VA84250), VEUILLEZ SUIVRE CES ÉTAPES D'INSTALLATION MODIFIÉES SUPPLÉMENTAIRES:

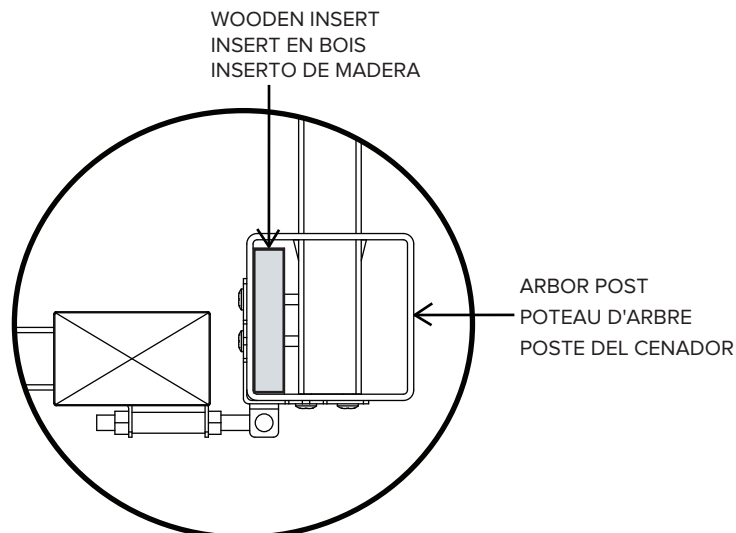
1. ACHETEZ DEUX PLANCHES DE BOIS : 1" X 4" X 60" (2,5CM X 10,1CM X 152,4CM)
2. POSEZ LE POTEAU DE LA TONNELLE SUR LE SOL ET INSÉREZ LES PLANCHES DANS LES POTEAUX INTÉRIEURS POUR SOUTENIR L'INSTALLATION DE LA CHARNIÈRE (VOIR L'IMAGE CI-DESSOUS).
L'INSTALLATION DES CHARNIÈRES (VOIR L'IMAGE CI-DESSOUS)

NOTA IMPORTANTE: ANTES DE EMPEZAR A MONTAR LA PUERTA

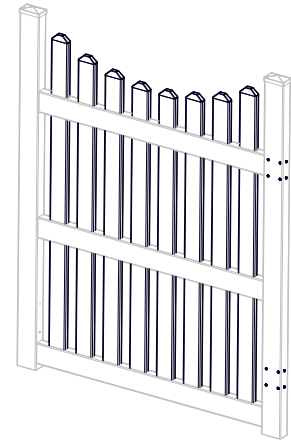
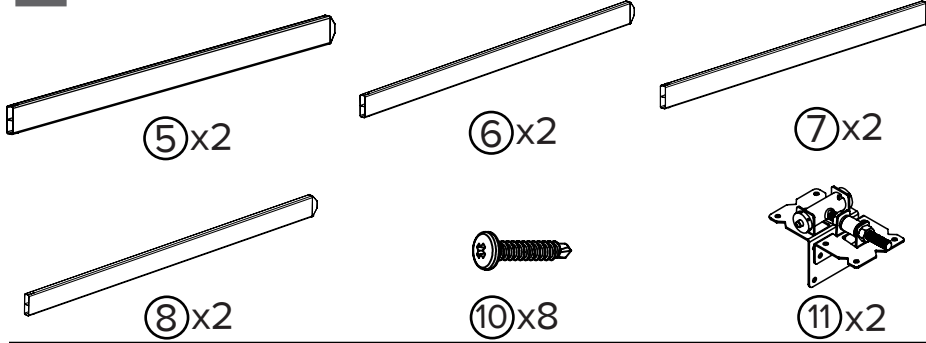
ESTA PUERTA ES COMPATIBLE CON EL CENADOR NANTUCKET DELUXE (VA84240) Y EL CENADOR FAIRFIELD DELUXE (VA84242).

SI TIENE EL CENADOR FAIRFIELD (VA84226) O EL CENADOR NANTUCKET LEGACY (VA84250), SIGA ESTOS PASOS ADICIONALES DE INSTALACIÓN MODIFICADA:

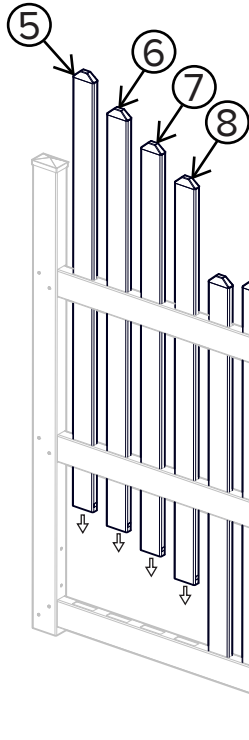
1. COMPRE DOS TABLAS DE MADERA: 1" X 4" X 60" (2,5CM X 10,1CM X 152,4CM)
2. COLOQUE EL POSTE DEL CENADOR EN EL SUELO E INSERTE LAS TABLAS EN LOS POSTES INTERIORES PARA SUJETAR LA BISAGRA
INSTALACIÓN DE LA BISAGRA (VÉASE LA IMAGEN SIGUIENTE)



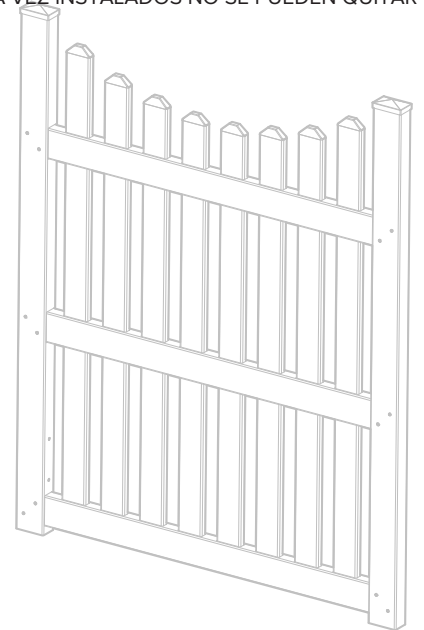
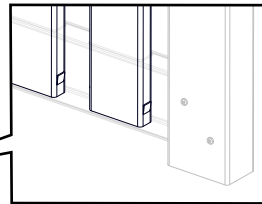
2 INSTALL VERTICAL SPINDLES AND HINGES INSTALLER DES BROCHES VERTICALES ET DES CHARNIÈRES INSTALAR HUSILLOS VERTICALES Y BISAGRAS



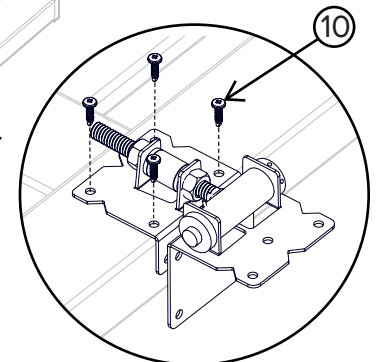
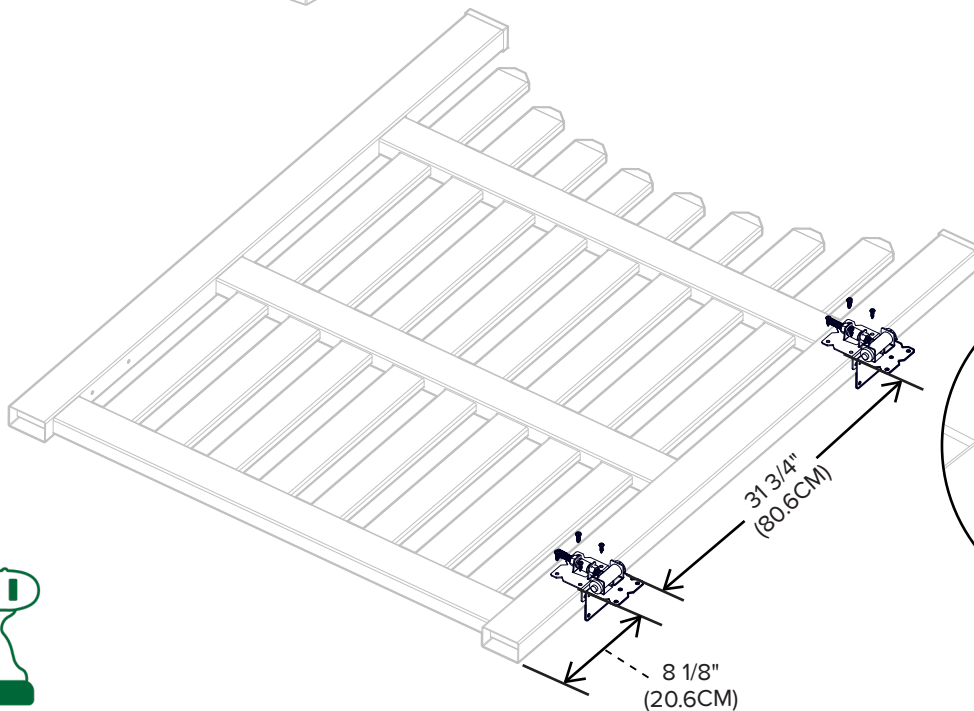
2A



ENSURE PLACEMENT OF VERTICAL SPINDLES, ONCE INSTALLED THEY CANNOT BE REMOVED
 S'ASSURER DE L'EMPLACEMENT DES BROCHES VERTICALES ; UNE FOIS INSTALLÉES, ELLES NE PEUVENT PLUS ÊTRE RETIRÉES
 ASEGURAR LA COLOCACIÓN DE LOS HUSILLOS VERTICALES, UNA VEZ INSTALADOS NO SE PUEDEN QUITAR



2B

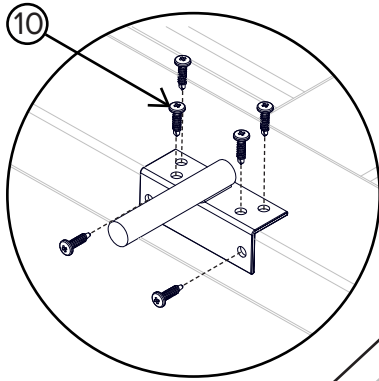
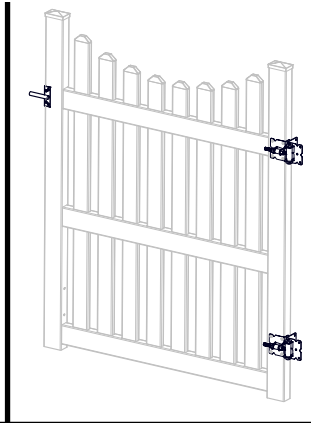


3

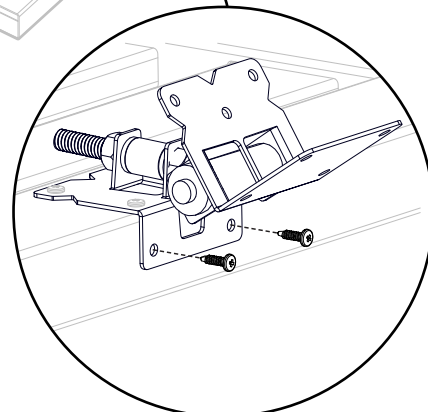
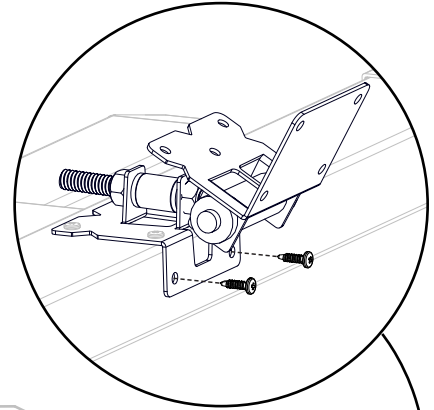
INSTALL LATCH AND BACK OF HINGE
INSTALLER LE VERROU ET L'ARRIÈRE DE LA CHARNIÈRE
INSTALAR EL PESTILLO Y LA PARTE TRASERA DE LA BISAGRA

⑩x10

⑫x1



43 3/8"
(110.0CM)



PHILLIPS #2



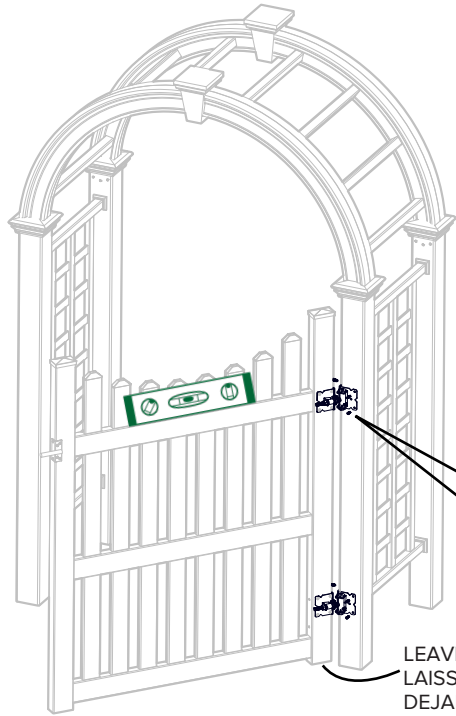
4

USE HINGE TO SECURE GATE ON THE ARBOR
UTILISER LA HINGE POUR FIXER LE PORTAIL SUR L'ARBRE
UTILICE HINEGE PARA ASEGURAR LA PUERTA EN EL CENADOR

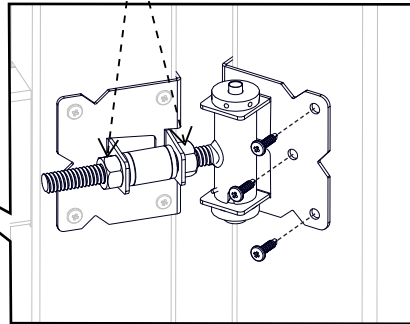


10x14

4A

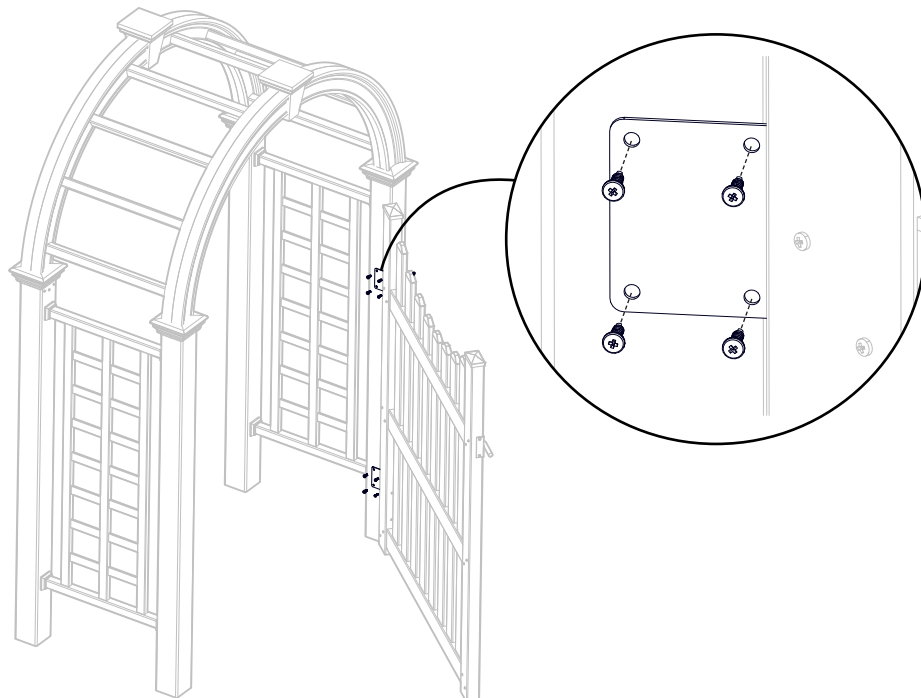


GATE AND ARBOR POST CAN BE ADJUSTED USING THESE TWO NUTS
LE PORTILLON ET LE MONTANT DE L'ARBRE PEUVENT ÊTRE RÉGLÉS À
L'AIDE DE CES DEUX ÉCROUS
LA PUERTA Y EL POSTE DEL CENADOR SE PUEDEN AJUSTAR USANDO
ESTAS DOS TUERCAS



LEAVE SOME CLEARANCE
LAISSER UN ESPACE LIBRE
DEJAR UN POCO DE ESPACIO LIBRE

4B

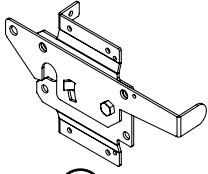


PHILLIPS #2



5

INSTALL CATCH ON THE ARBOR POST
INSTALLER LE LOQUET SUR LE POTEAU DE L'ARBRE
INSTALE EL RETÉN EN EL POSTE DEL CENADOR

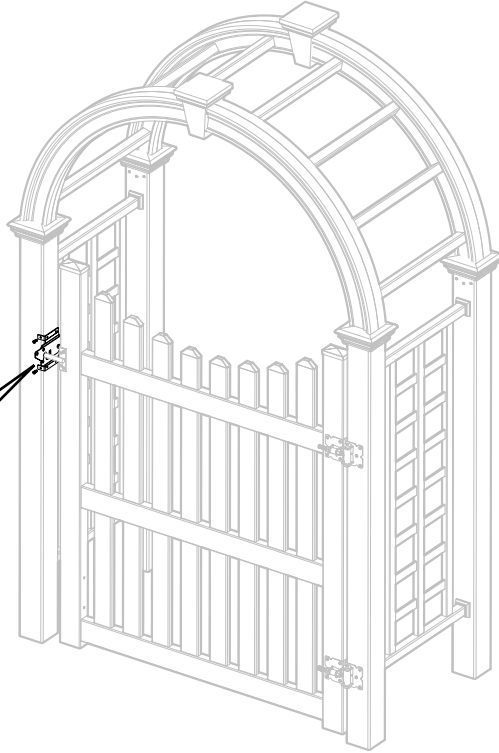
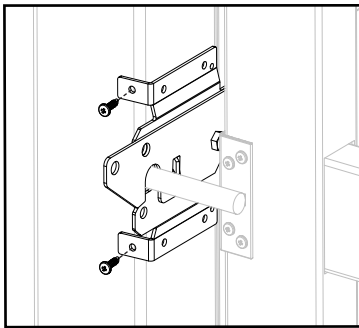


⑬x1



⑩x6

5A



5B

