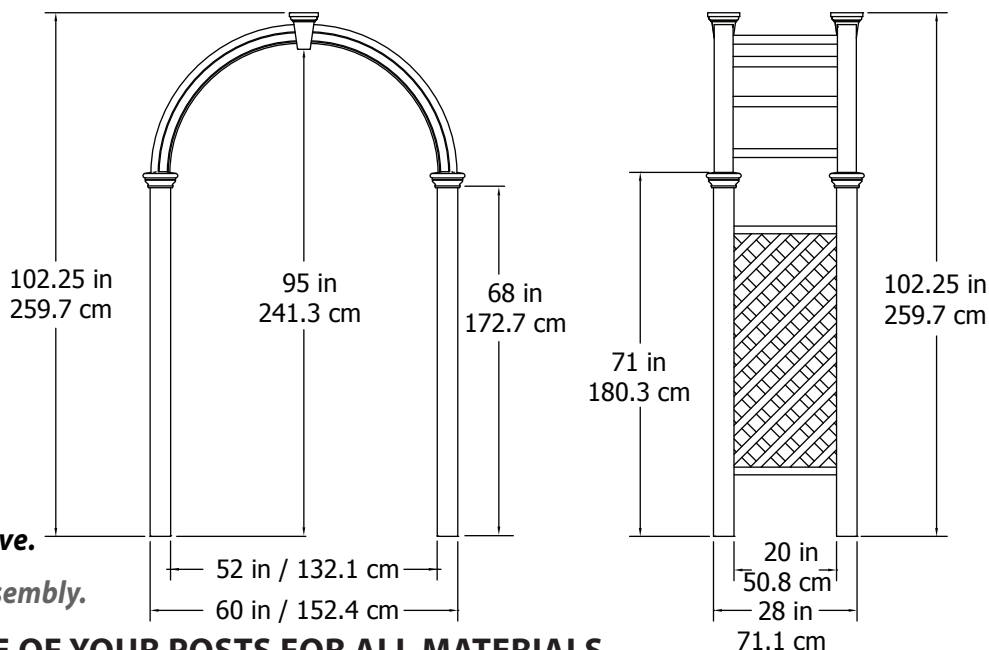
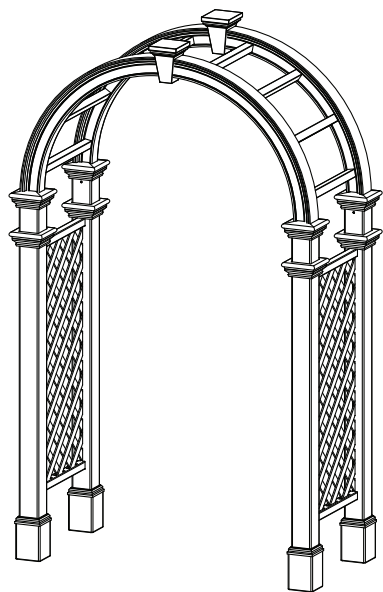


ASSEMBLY INSTRUCTIONS



The Nantucket Legacy Arbor / Arch



***Nantucket Legacy with Trim Kit Shown Above.**

Please read through before starting assembly.

IMPORTANT: CHECK THE INSIDE OF YOUR POSTS FOR ALL MATERIALS.

Check Box for These Contents

In the event of missing or defective parts please call our customer service dept. at **1 800 282 9346** (Mon. to Fri. 8:00 AM to 5:00 PM EST).

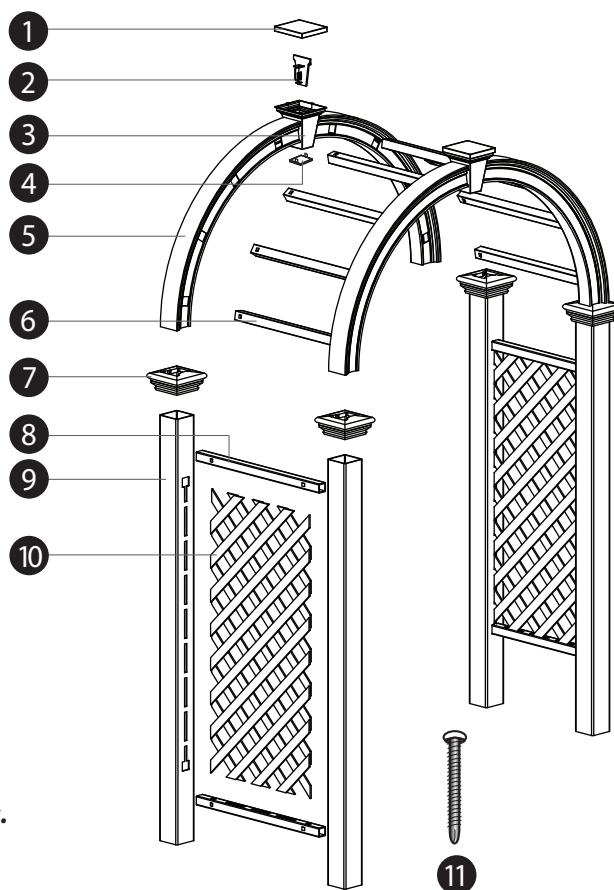
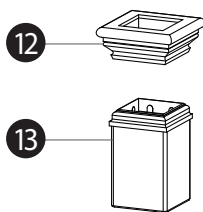
1. Keystone Top Lid (2) - 10710-1
2. Keystone Internal Connectors (2) - 10711-1
3. Arch keystones (2) - 10684-1
4. Keystone Bottom Plate (2) - 10712-1
5. Arches (4) - 10687-1
6. Arch Rafters (8) 1 1/2" x 1 1/2" x 25.9" [3.8 x 3.8 x 65.8 cm] - 10778
7. Post Caps (4) - 10728-1
8. Side Panel Horizontal Rails (4) 1 1/2" x 1 1/2" x 27.7" [3.8 x 3.8 x 70.4 cm] - 10777
9. Posts (4) 4"x4"x70.5" [10.2 x 10.2 x 179.1 cm] - 10775
10. Side Panel Diamond Lattice (2) - 10776
11. #8 x 1 1/2 in. (3.8 cm.) Stainless Steel Screws (for Keystone and Arch to Post Connection) (24) - 20005

If you purchased the arbor / arch along with our decorative trim kit (BP80001), there will be a separate box with the following contents;

12. Post Trim Caps (4)
13. Base Molds (4)

Tools You Will Need

- Hammer
- Tape Measure
- Level
- Stool or Short Ladder
- Shovel or Auger
- Cordless Drill



(Not to scale)

General Information

- **Read Instructions through carefully before beginning assembly.**
- When assembling components, place on a non-abrasive surface (i.e. shipping box) to avoid scratching.
- We recommend an area approx 10'x 8' (3 m x 2.4 m) for unobstructed assembling.
- You should not need to use excessive force when assembling components.

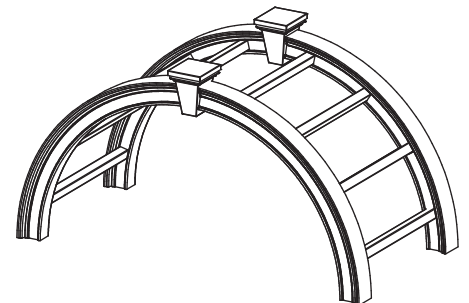
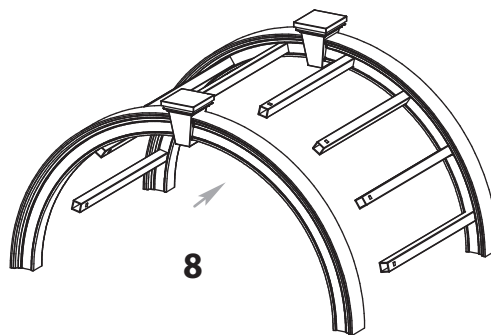
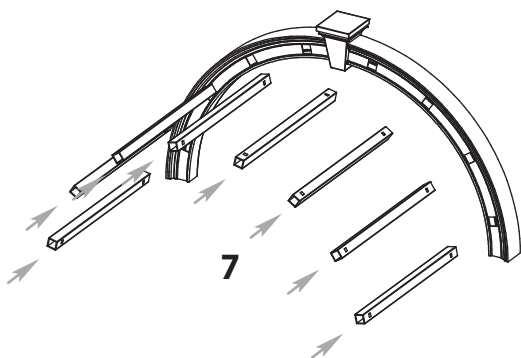
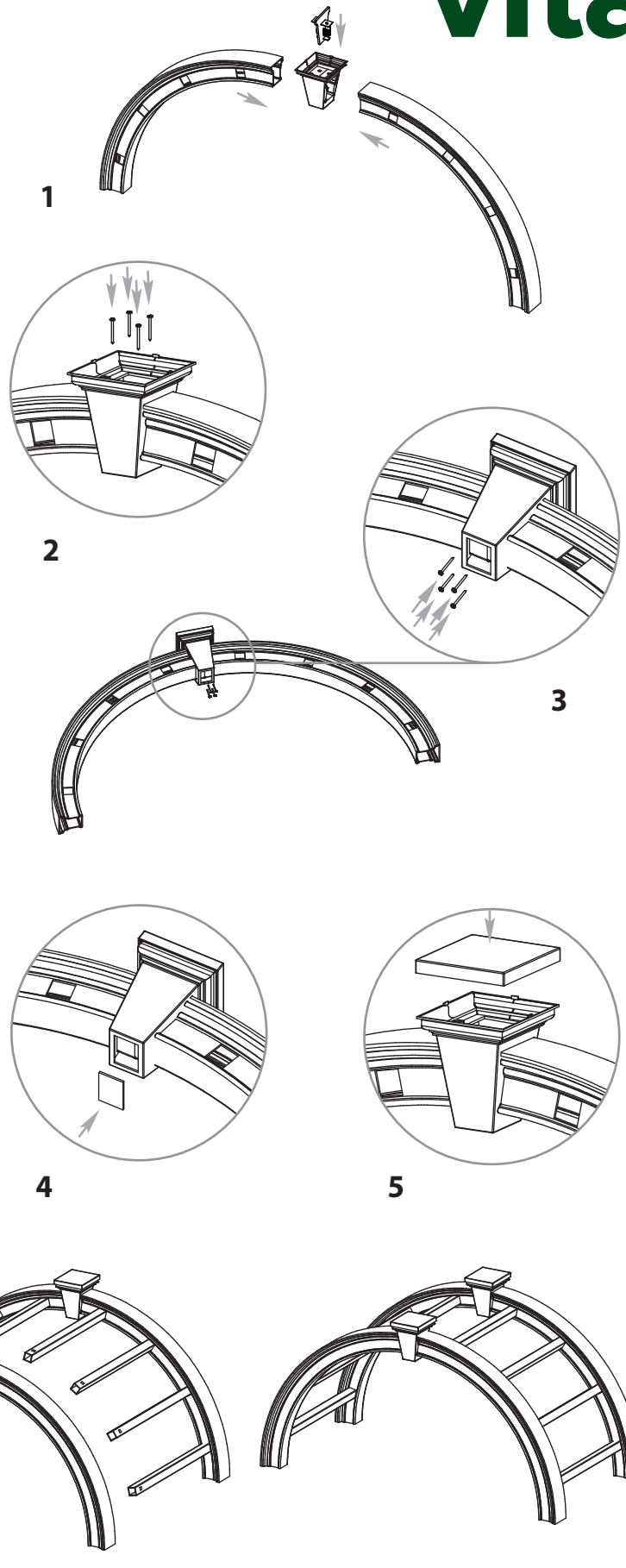
STEP ONE



Assemble the Arch System

NOTE: There are locking tabs located at the ends of each rafter. Once inserted and pushed into the routed holes, they will lock into place and cannot be removed.

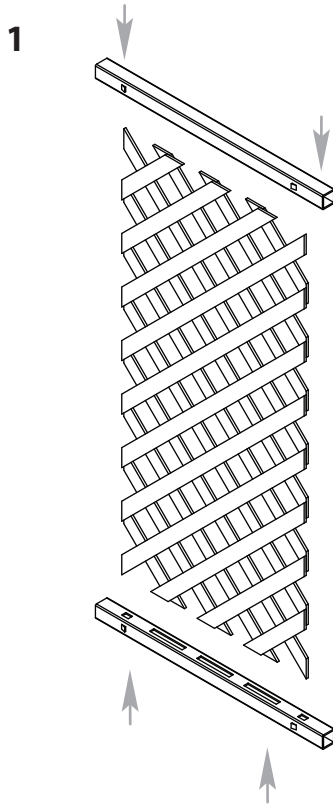
- 1 Insert arches into arch keystone ensuring they terminate flush to the internal connector.
- 2 Fasten the top of the arches to the keystone insert by installing 1 1/2 in. (3.8 cm.) screws into the two flanges on either side of the top of internal connector.
- 3 Invert the arch system and install four screws 1 1/2 in. (3.8 cm.) from the bottom of the keystone into the two flanges on either side of the bottom of the internal connector. This will connect the bottom of the arches to the insert.
- 4 Seal the bottom hole on keystone by inserting the bottom plate as provided.
- 5 Install the top cap on the arch keystone. Ensure keystone cap is pushed down firmly so the cap locks into position.
- 6 Repeat for other arch.
- 7 Insert arch rafters (8) into the holes on the arches until they bottom out inside the arches. There are "locking tabs" located at each end of these rafters that once inserted into the holes will lock into place.
- 8 Fit opposite arch system over rafters.



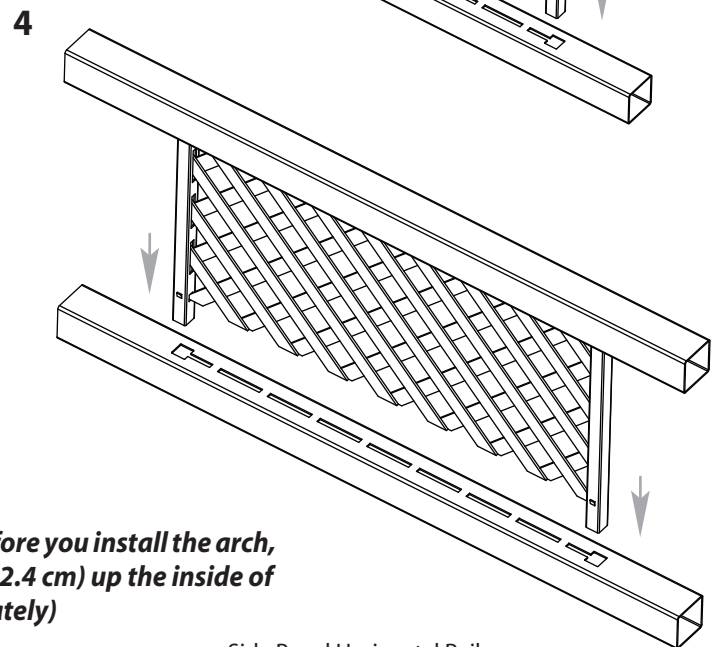
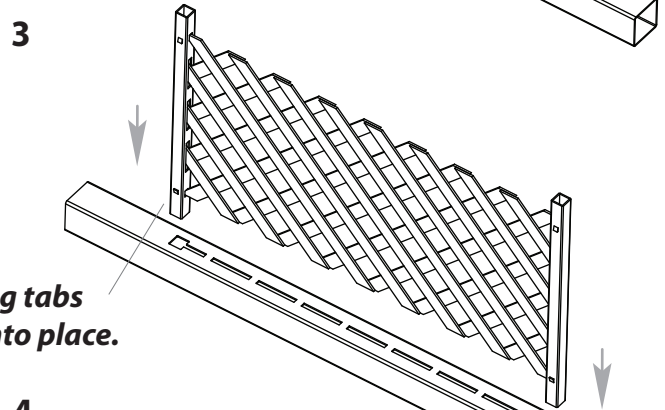
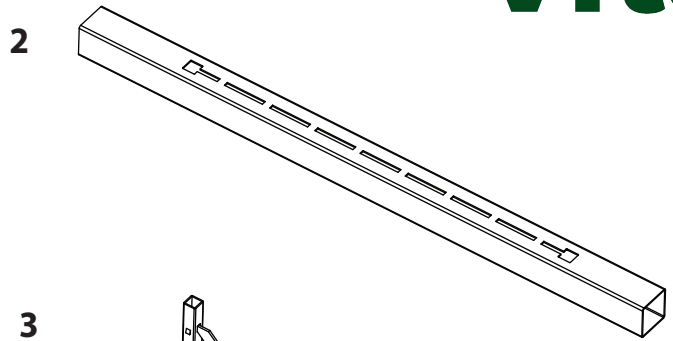
STEP TWO

Assemble the Side Panels

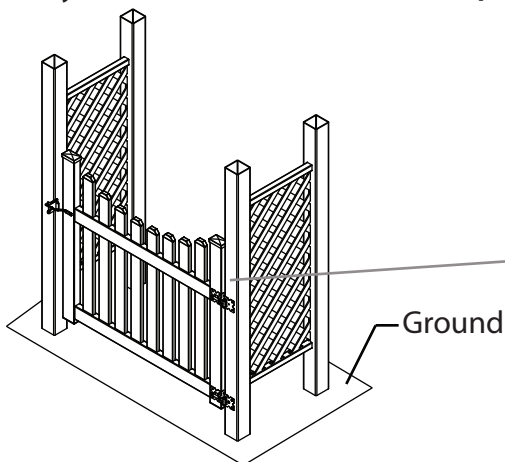
- 1 Insert the Lattice into the horizontal rails as illustrated.
- 2 Lay post on flat surface with holes facing up.
- 3 Insert assembled panel into post. Push until tabs lock into place.
- 4 Layout opposite post and insert the side panel assembly as shown.



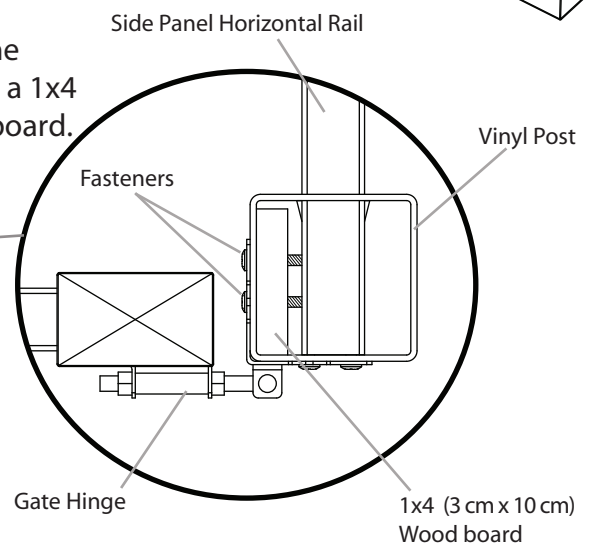
Push until locking tabs on rails "snap" into place.



NOTE: if you intend to install a gate or wings from the arch, before you install the arch, insert a 1 x 4 (3 cm x 10 cm) wood board approximately 5 ft. (152.4 cm) up the inside of vinyl cavity. (1 x 4 (3 cm x 10 cm) wood board purchased separately)



A top view showing the cavity of the post with a 1x4 (3 cm x 10 cm) wood board.



Shown with gate (purchased separately)

STEP THREE

Install the Side Panels

You have Three Options to Complete this Step.

(All purchased separately)

OPTION ONE - If Your Arch:

- is going to be installed with fencing or a gate
- is located in a high wind or hurricane area
- is located in ground conditions that are not level

Consider Using:

A - 4x4 Professional Post Extension Kit (30 in./76.2 cm. long), (Kit of 4)

- Purchase from Vita, www.wearevita.com
- Recommended to be installed in concrete footings
- Follow instructions included with the kit

- or -

B - 4 x 4 x 4' Long Wood Post (4)

- Purchase separate from your local lumberyard
- Recommended to be installed in concrete footing

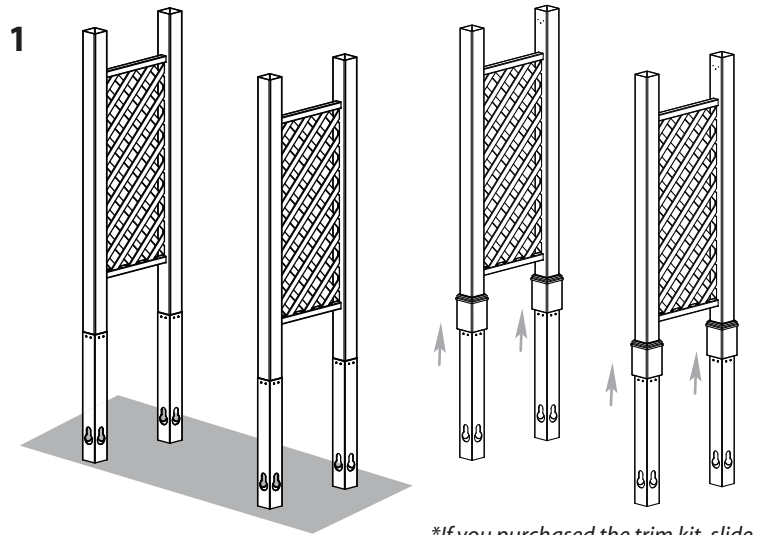
OPTION TWO - If Your Arch:

- is intended to be used as a stand alone garden accent or pathway
- is located on level ground

Consider Using:

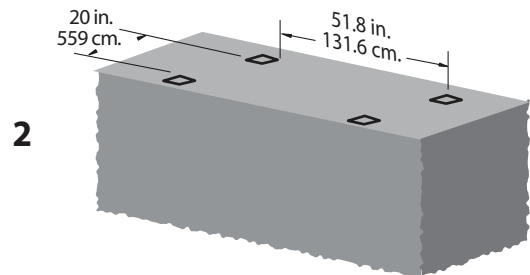
4" EZ Mount Post (Kit of 4)

- Purchase from Vita, www.wearevita.com
- Instructions are included with the kit



*If you purchased the trim kit, slide the base molds up the posts as shown.

(Posts have been extended with 4x4 Professional Post Extension Kit)



2

(Measurements shown are inside to inside of posts)

Into Earth with Concrete Footing (Option One)

(Assuming posts have been extended)

Arch must be well secured to prevent tipping over from wind load, etc.

1 Move the side panels to their final location (you will need a helper). If you purchased the trim kit, slide base molds up the post as shown.

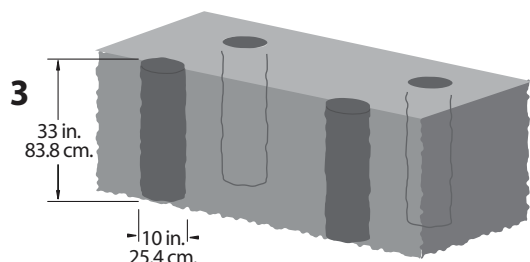
2 When you have identified the location of each post, as indicated by the measurements on the first page of these instructions, mark the positions of the posts, then move the panels aside.

3 Excavate four holes approx 33 in. (83.8 cm.) deep. The location and excavation of these four holes is the most critical step and should be completed with care. The depth of these holes will allow the post extension (if chosen as option) joint to be hidden 3 in. (7.6 cm.) under the ground.

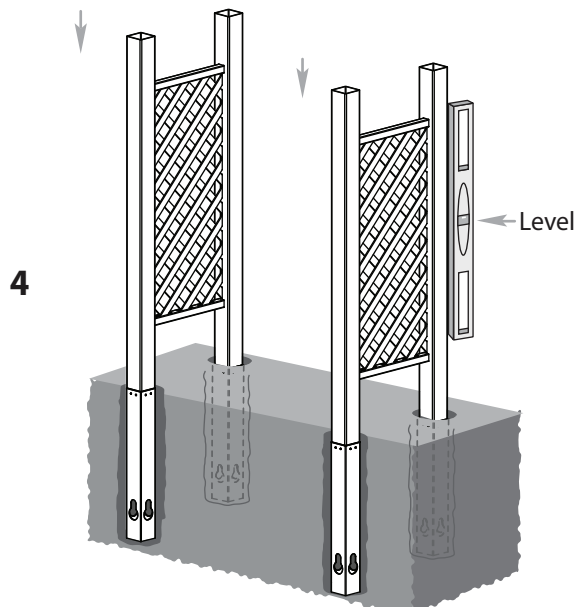
4 Carefully move the side panels back into position and level both horizontal and vertically.

5 Check your measurements to confirm posts are placed correctly to receive arch system. **THIS IS A CRITICAL STEP.**

*** Do not backfill the holes with cement at this stage.**



3



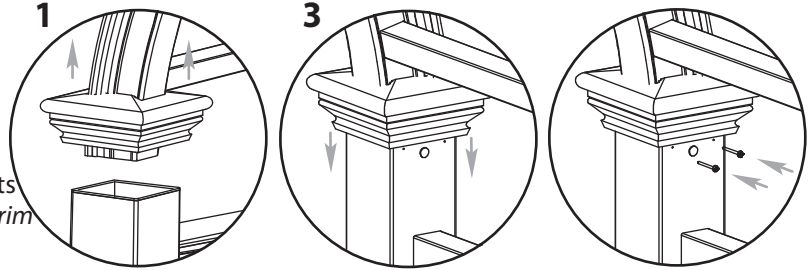
4

STEP FOUR

vita

Connect the Arch System to the Side Panels

- 1 Temporarily position post caps on bottoms of arches.
- 2 With a helper, insert the bottom of the arches into the posts until the arch rest on the stopper bolts. * If you purchased trim kit, slide the post trim caps down the posts before the arch.
- 3 Slide post caps down into position.
- 4 Install 2 - 1 1/2" (3.8 cm) screws into the two pre-drilled holes per posts.

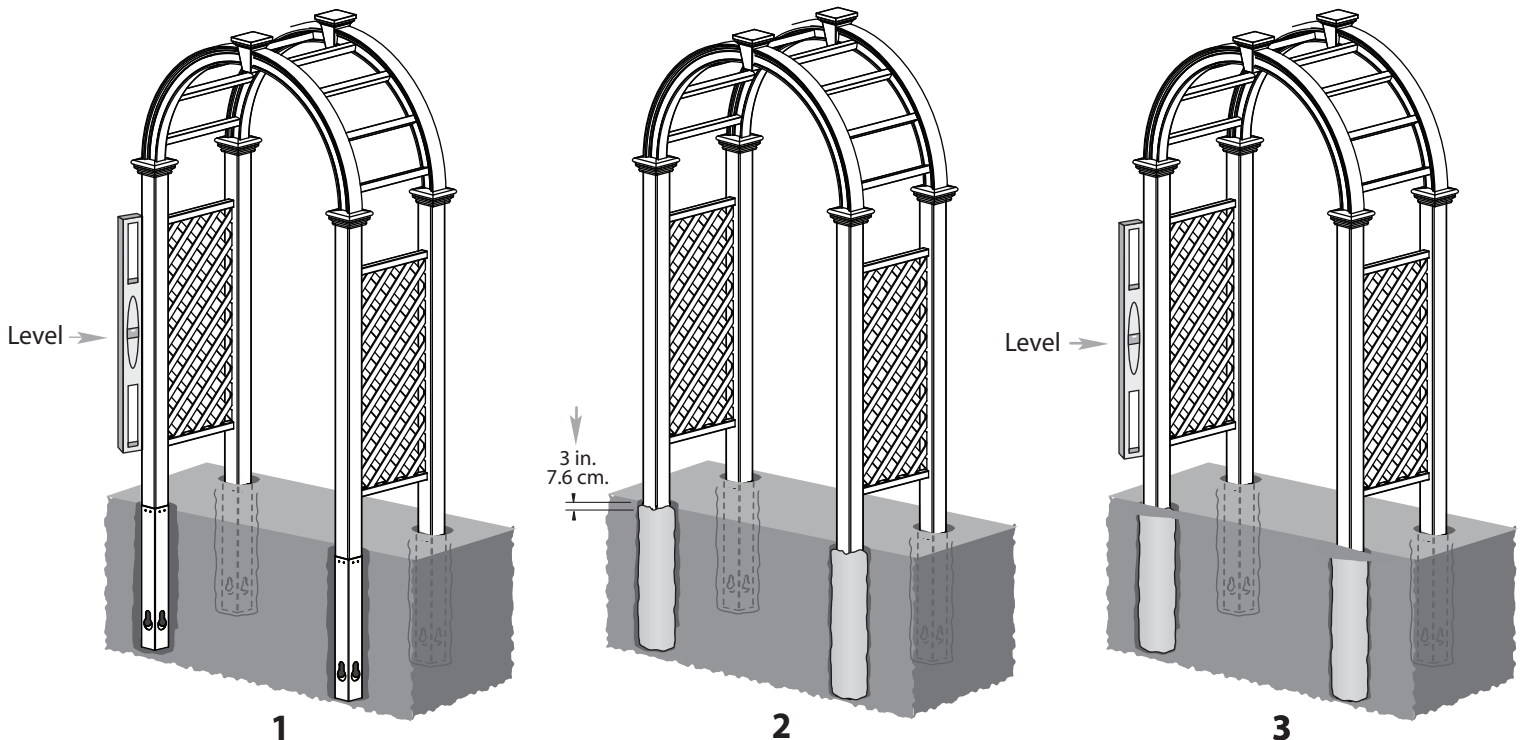
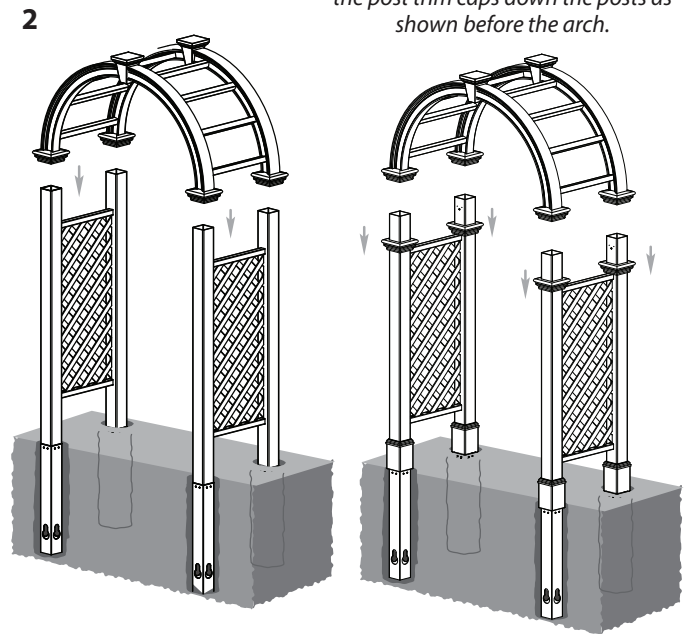


*If you purchased the trim kit, slide the post trim caps down the posts as shown before the arch.

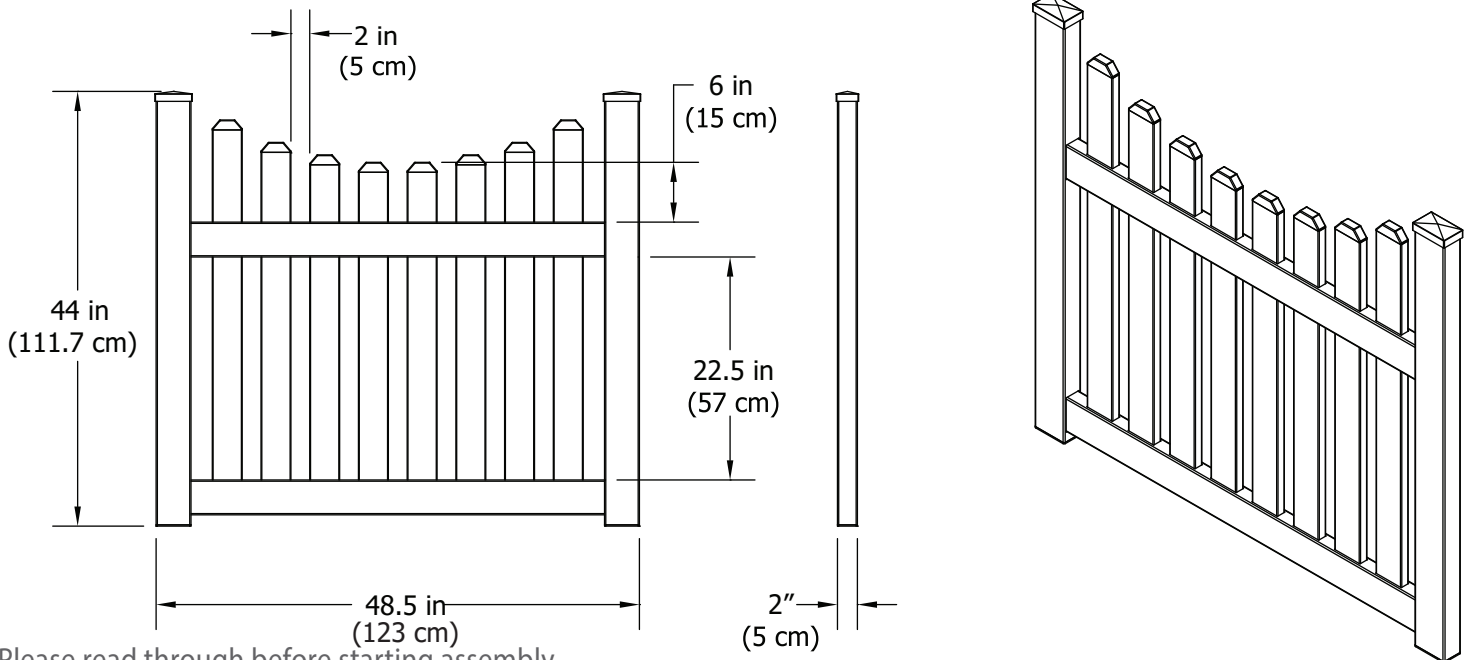
STEP FIVE

Fill Excavated Holes

- 1 Ensure that posts and side panels are level.
- 2 Fill around the posts with wet cement within 3 in. (7.6 cm.) of your natural elevation.
- 3 Complete a final level check both horizontally and vertically, and backfill the remaining space between concrete and natural elevation with topsoil.



Cottage Picket Gate



Please read through before starting assembly.

Check Box for These Contents (1 Box)

In the event of damaged, missing or defective parts please call our customer service dept. at **1 800 282 9346** (Mon. to Fri. 8:00 am to 5:00 pm EST).

1. **Posts** (2) 2" x 3 1/2" x 43.5" (5 cm x 9 cm x 110.5 cm) - 10841
2. **Top Rail** (1) 1 1/2" x 3 1/2" x 48 1/4" (4 cm x 9 cm x 123 cm) - 10842
3. **Bottom Rail** (1) 1 1/2" x 3 1/2" x 48 1/4" (4 cm x 9 cm x 123 cm) - 10843
4. **Pickets** (2) 7/8" x 3" x 38 1/2" (2 cm x 7.6 cm x 98 cm) - 10112
Pickets (2) 7/8" x 3" x 36 1/4" (2 cm x 7.6 cm x 92 cm) - 10111
Pickets (2) 7/8" x 3" x 35" (2 cm x 7.6 cm x 89 cm) - 10114
Pickets (2) 7/8" x 3" x 34 1/4" (2 cm x 7.6 cm x 87 cm) - 10110
5. **Steel Hinge Set** (1) - 30020
**includes (26) 1" Hex Head Screws - 21002*
6. **Steel Latch Gate Set** (1) - 30023
**includes (6) 1" Hex Head Screws 21001*
7. **Self-tapping stainless Screws** (8) 5/8" (16mm) - 20016

(* Gate will fit:

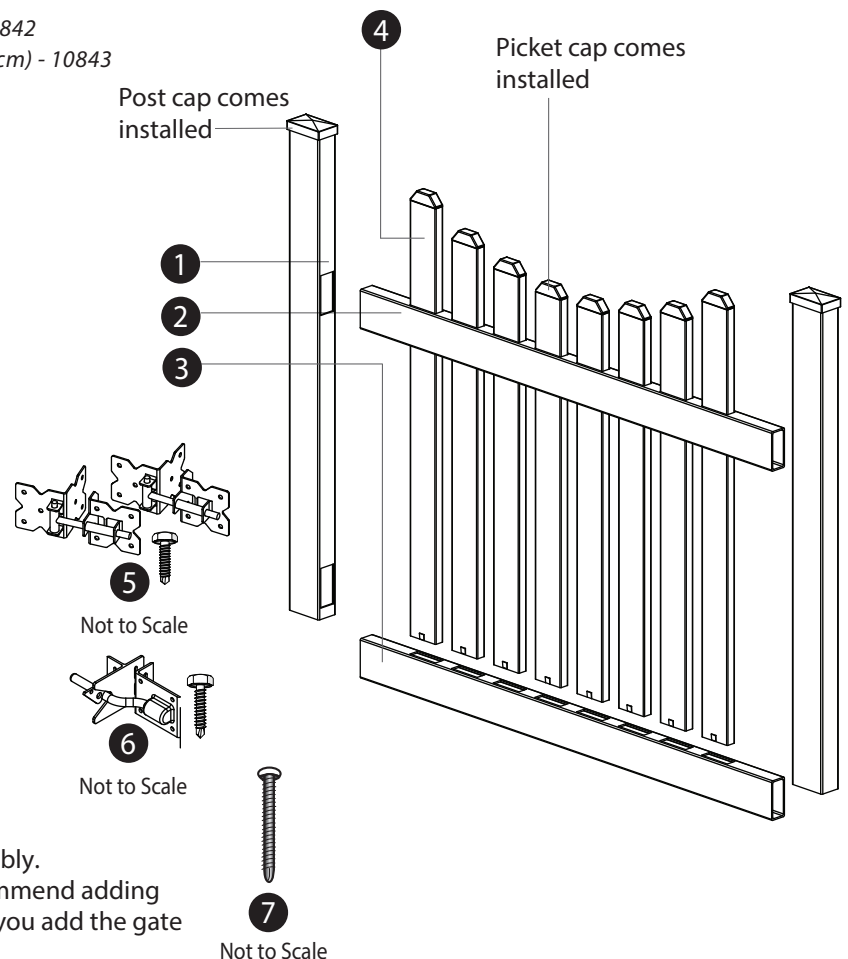
Nantucket Legacy, Nantucket Deluxe, Fairfield Deluxe, Fairfield.

Tools You Will Need

- Cordless Drill with #2 Phillips bit and 1/8" (3 mm) drill bit.
- 3/8" (10 mm) Socket Wrench
- Phillip Screwdriver
- 11/16" (18 mm) Or adjustable wrench
- Tape measure, Square and Level
- M10 Socket - Diameter of 14.7mm

General Information

- Read Instructions through carefully before beginning assembly.
- Please note: for a secure attachment to your arbor, we recommend adding pressure treated wood to the inside of the arbor post before you add the gate accessory.
- When handling components, place on a non-abrasive surface (i.e. Shipping box) to avoid scratching.



Cottage Picket Gate Installation

STEP ONE

A

Lay out one of the posts on its side, with holes facing up, and insert the two rails. The bottom rail (holes routed one side only) goes into the hole that is closest to the bottom of the post. Now insert the top rail into the other hole.

B

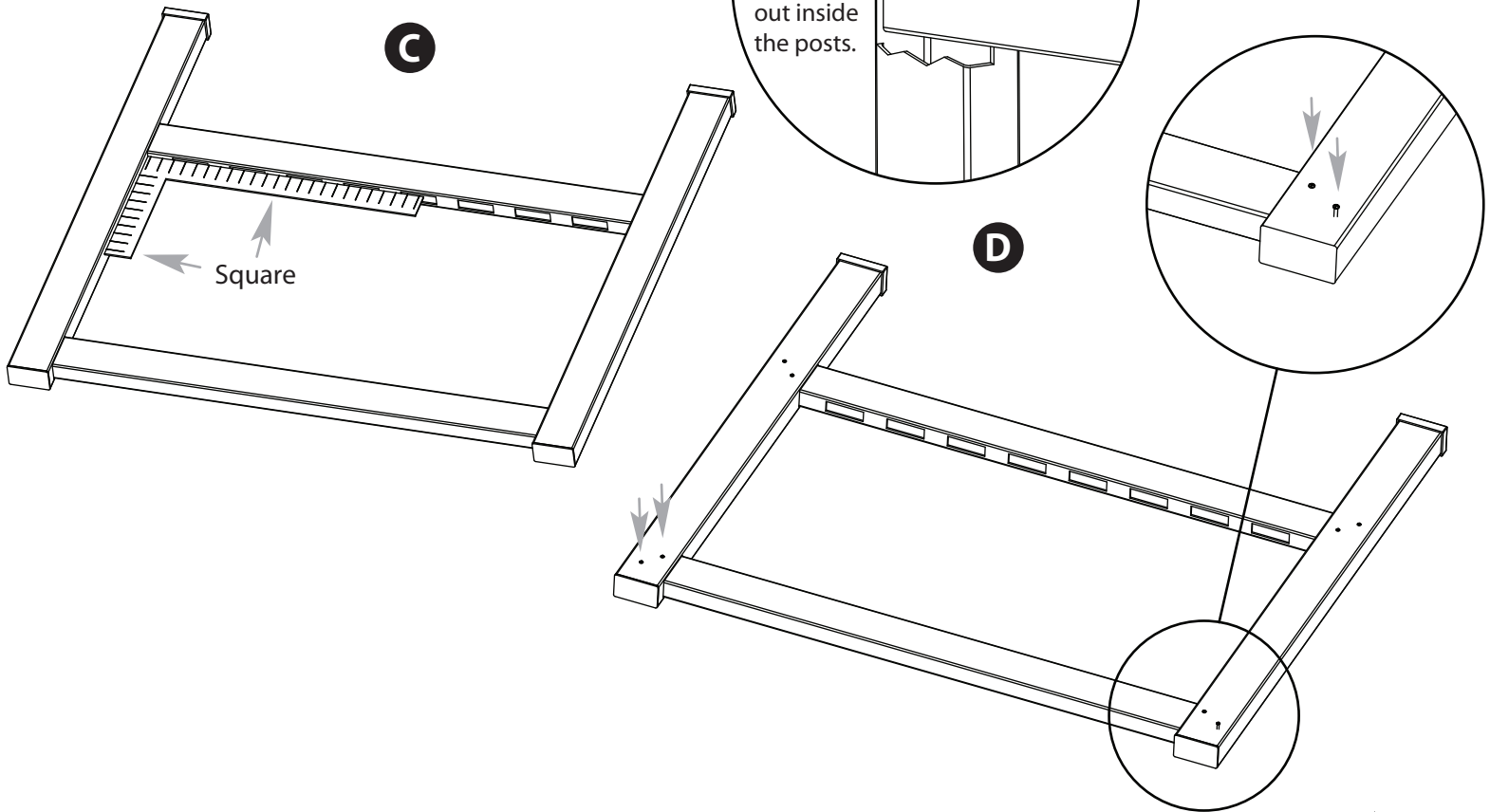
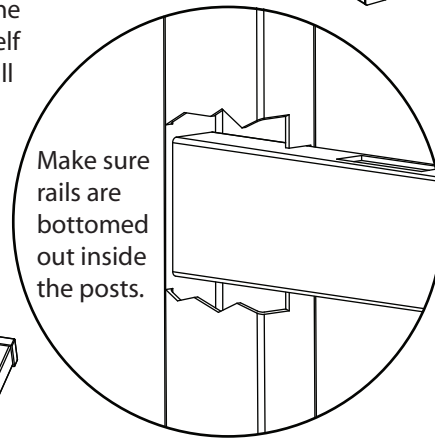
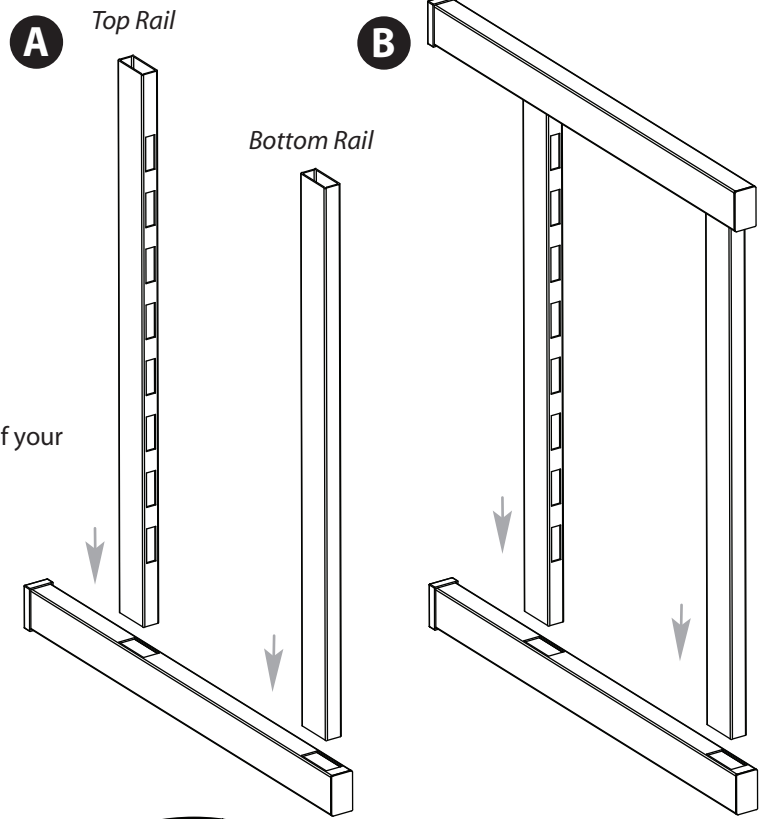
While holding the rails in place, add the second post to the other end of your rails as shown (B)

C

Lay the assembly down on a flat surface and use a square to check the inside corners. Make sure that each rail is bottomed out inside the posts.

D

Install 2 screws into each of the four places where the rail goes into the post. Install screws on diagonal (as shown). **Note:** Screws are self tapping but if you have any difficulty getting them started, pre-drill a small pilot hole first (no larger than 1/16", or 1.5 mm)



STEP TWO

Hinges and Latch Installation

Now determine which way your gate is going to open in your arbor. After you determine which side of the gate to install your hinges, flip the gate over so that the screws you installed in Step D are on the back side of the assembly - this will ensure these screws are not in the way when you install the hinge"

A

Separate the hinges (part 5) into two halves. Place the half with the "eye holes" onto the gate post, centering it at the end of the top rail as illustrated. Pre-drill each pilot hole, then attach the hinge with the black screws provided in the hinge kit.

B

As in the previous step, place one half of the hinge onto the gate post. The second hinge should be installed 16 1/2" (42 cm) down from the top hinge (see illustration B). This hinge will be installed above where the bottom rail goes into the gate post. Attach with screws provided in hinge kit.

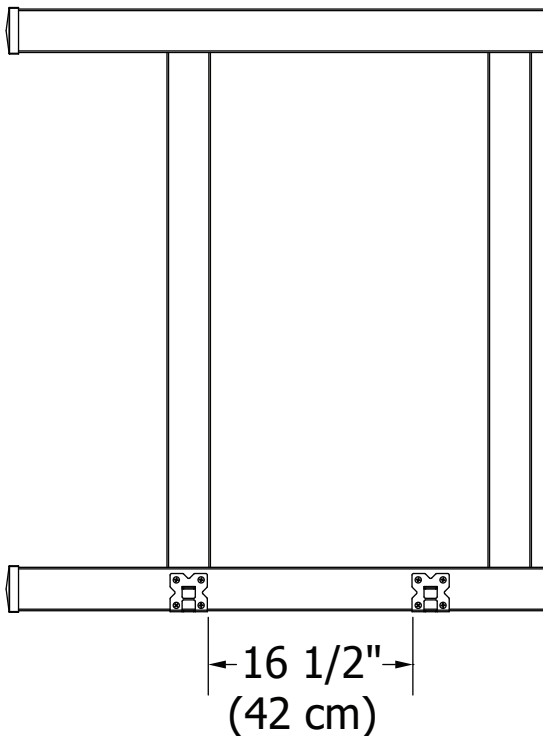
C

Center the gate latch (part 6) at the end of the top rail opposite where the hinge was attached. Install as close to the outside of the post as possible. Fasten the latch to the post using the screws from the latch kit.

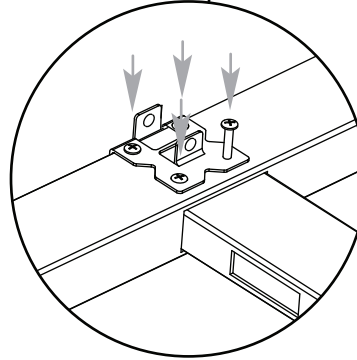
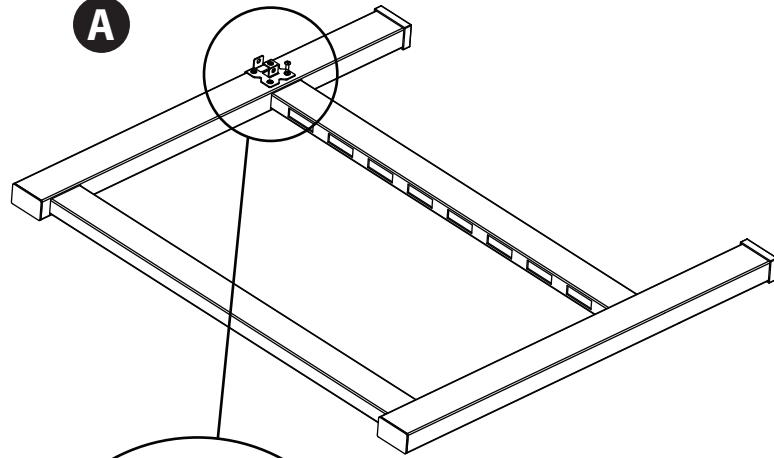
D

Install screws to attach where the rail goes into the post (as in page 2 - D) note: you will not need to install white screw into gate on top rail where the hinge is attached.

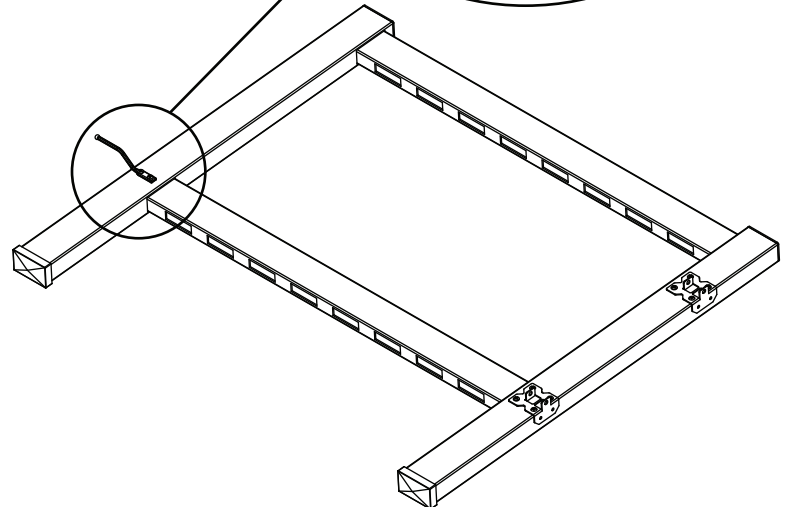
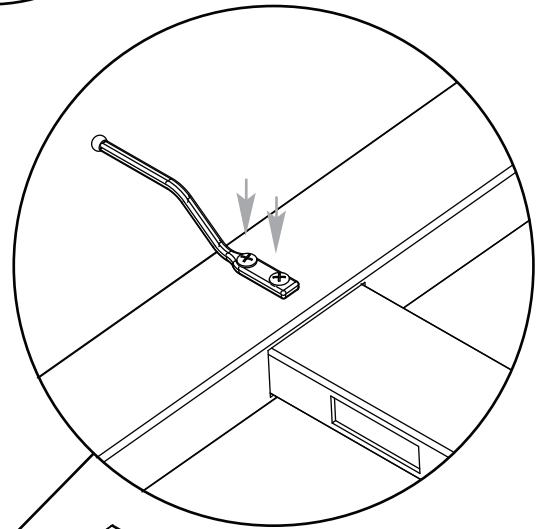
B



A



C



Cottage Picket Gate Installation

STEP THREE

A

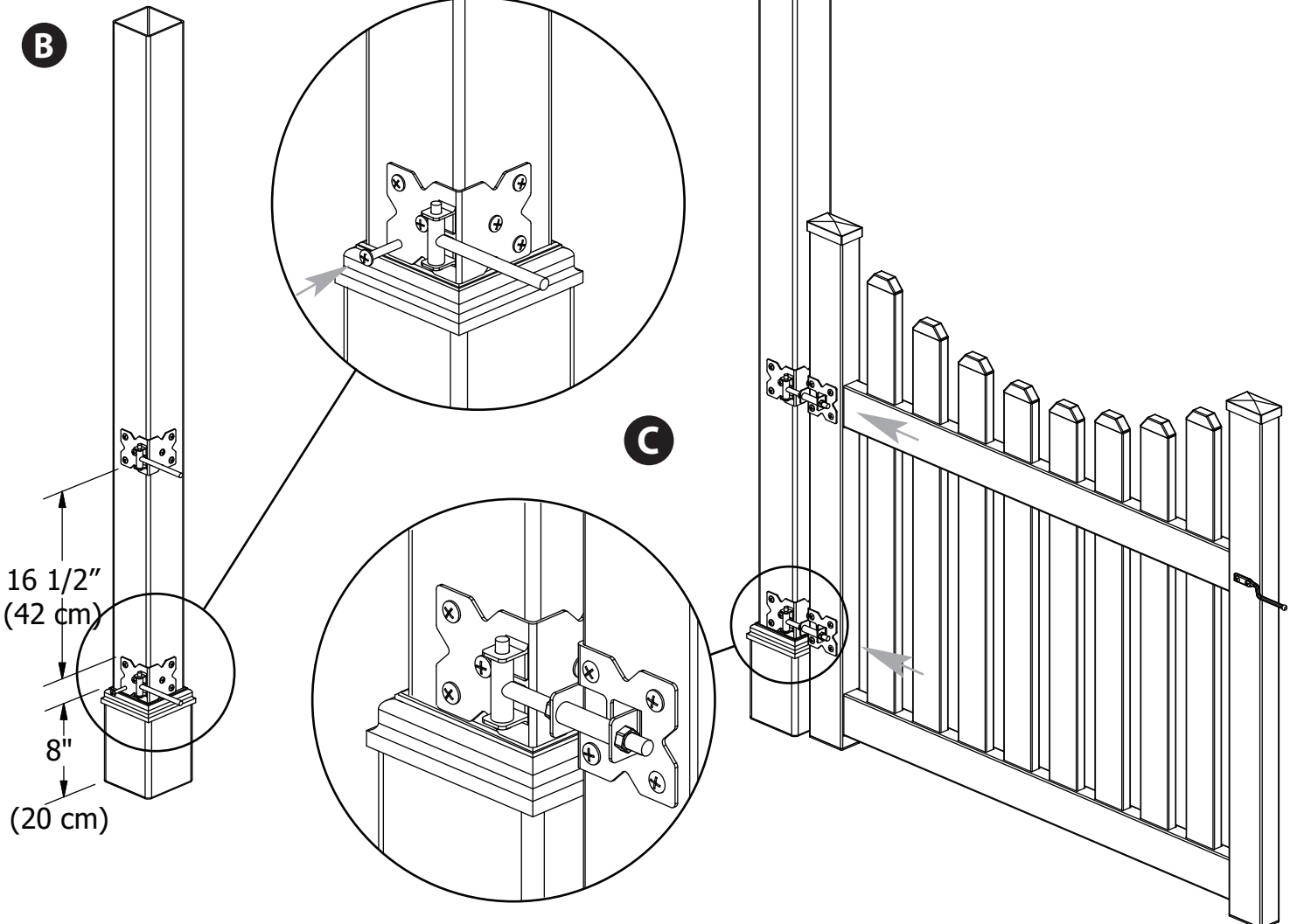
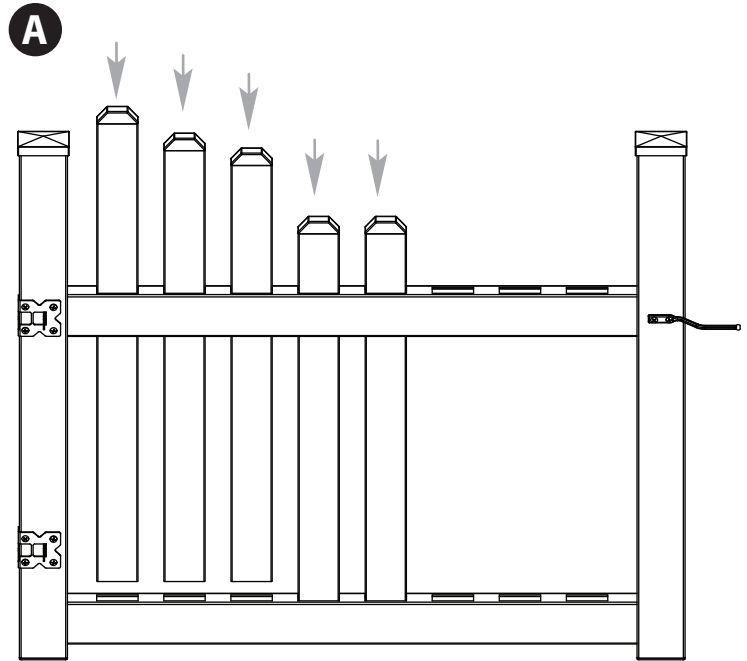
Slip each picket (part 4) through the top rail and into the bottom rail. Start with the shortest picket(s) in the center, and end with the two longest pickets on each side.

B

Place one of the remaining halves of the hinge against the inside wall of the arbor post just above the base molding. Using the same method in step 2, attach the hinge to the post. If your arbor does not have base moldings, mount the hinge approximately 8" (20 cm) up from the bottom of the post. Note: We recommend using wood inside the arbor post to create a stronger attachment for the gate. Repeat for the other hinge. Make sure the distance between the two hinges is equal to that in step 2 (16 1/2" or 42 cm).

C

Lift the completed gate and line up the hinges. Carefully guide the long bolts on the gate hinges through the "eye holes" on the gate hinges.



STEP FOUR

Adjusting Gate

A

Insert the bolt sleeve between the "eye holes" before sliding the long bolts completely through. Thread the 1/2" (13 mm) nuts over the end of each bolt and tighten with a wrench. Note: to center your gate in the arbor opening, adjust the hinge nuts as needed.

B

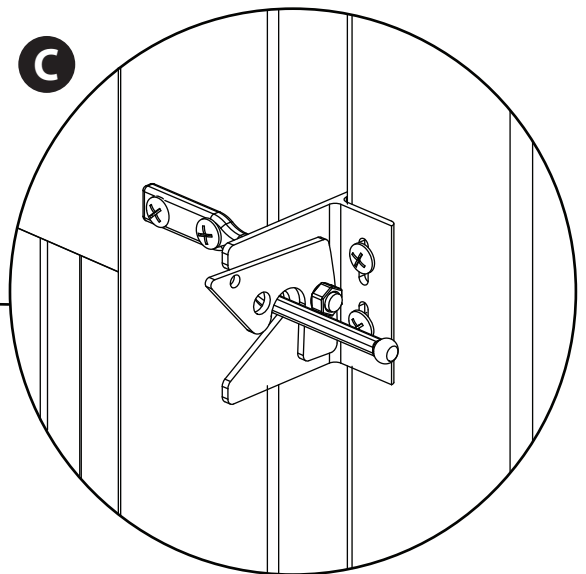
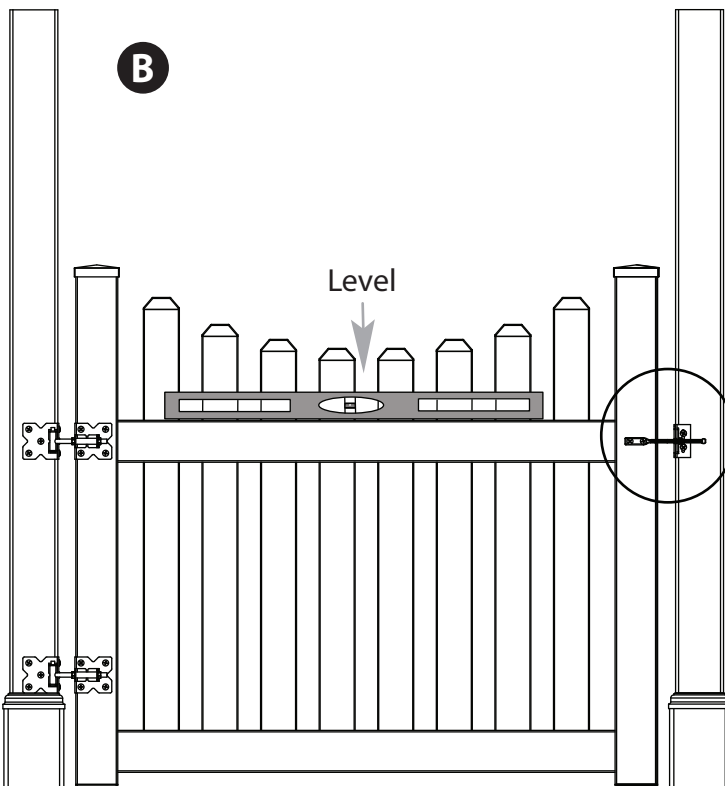
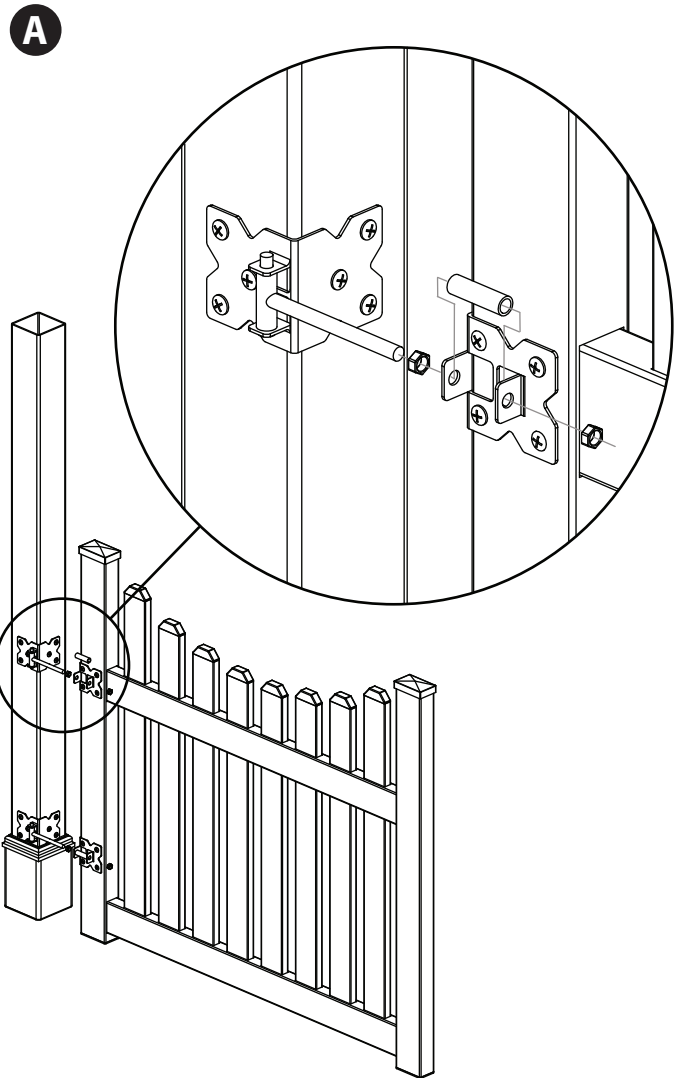
Set a level across the top rail to make sure the gate is hanging level. You may need to adjust the hinge nuts again to achieve this.

C

Once the gate is level, position the latch "catch" onto the arbor post and mark out the hole locations. Pre-drill the holes (use 1/8" (3 mm) drill bit - purchased separately) and fasten the latch catch to the arbor post using the black screws provided with the latch kit.

D

If latch does not catch into the latch catch properly, you can adjust the hinges by loosening the nuts on either side of the hinge bolt. Close the gate so that the latch is in the latch catch then adjust the nuts as necessary to have the gate hang in position properly. If any other adjustments are needed, repeat as necessary. Gate should swing and close into latch smoothly.



vita