

# Handheld Fan with Cooling Plate - Instruction Manual

Sent 01.21.26





SCAN THIS QR CODE TO LEARN MORE  
OR VISIT US AT  
[www.ALPHACOOLPRODUCTS.com](http://www.ALPHACOOLPRODUCTS.com)

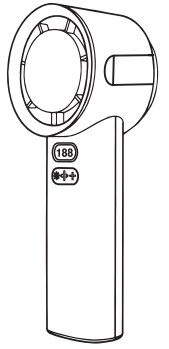
MADE IN CHINA

**Product Cleaning**

- Before cleaning, ensure the product is powered off and unplugged.
- The front cover is not removable. Use a clean, dry cloth to wipe the fan surface and air inlet grille.
- Do not clean electrical components (such as motors or switches) with water or other liquids.
- Do not touch the power supply or electrical components with wet hands or cloths.

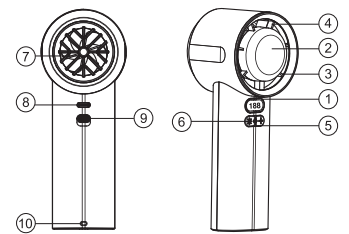


## HANDHELD FAN With Cooling Plate



SKU: AC-HFSC-W | Model: M57

**Appearance Description**



1. Display
2. Cooling Plate
3. Turbo Fan
4. Air Outlet
5. "+" Function Button (Increase Fan Speed)
6. "-" Function Button (Decrease Fan Speed)
7. Air Inlet
8. USB-C Charging Port
9. Power Button
10. Lanyard Hole

**Product Parameters**

1. SKU: AC-HFSC-W | Model: M57
2. Product Name: Rechargeable Handheld Fan With Cooling Plate
3. Rated Input: DC 5V / 1.5A
4. Battery Capacity: 4000mAh
5. Product Weight: Approximately 225 g
6. Charging Time: Approx. 2.5 hours
7. Operating Time: 2-12 hours
8. Product Size: 2.3 × 2.4 × 6.3 in
9. Applicable Standards: GB4706.1-2005, GB4706.27-2008

**Product Includes**

1. Rechargeable Handheld Fan With Cooling Plate × 1
2. USB-C Charging Cable × 1
3. Lanyard × 1

**Warnings**

1. Read all instructions and warnings before use.
2. Make sure to turn the power off when not in use.
3. Do not drop, strike, or subject the product to strong impact, as this may cause internal damage.
4. Do not disassemble, modify, or attempt to repair the product yourself.
5. Do not expose the product to fire or extreme heat to avoid the risk of danger.
6. If the product becomes excessively hot, deformed, or abnormal during charging, stop charging immediately.
7. Do not use while sleeping or unconscious.
8. Children should not use this product without adult supervision.
9. Unattended use of electric products on animals, children or incapacitated persons may be dangerous.
10. Do not use this product while charging.
11. In the rare event of experiencing any sensation of overheating or discomfort while using any AlphaCool™ product, immediately remove product and turn power off.

12. Avoid allowing hair near the air inlet to prevent hair from getting caught in the air cavity.
13. Do not attempt to touch internal turbines or components to avoid potential injury or damage to the product.
14. Do not use excessive force when unfolding the fan as this may damage the product.
15. Do not store below -4°F (-20°C) or above 120°F (49°C).
16. Do not allow fan or internal components to come into contact with water or other liquids.
17. If water or other liquids enter the fan's interior while in use immediately remove the fan and turn it off. Continue use of a potentially damaged product may result in fire or an electrical shock.
18. It is important to maintain at least 25% of your battery power when not in use. Failure to do this will result in performance problems and reduced battery life.
19. Recycle in accordance with local regulations.

**Notice**

The contents of this manual, product specifications, and technical descriptions are subject to change without prior notice.

**Instructions**

**Power On / Off**

- Slide the toggle switch upward to turn the power on.
- Slide the switch downward to turn the power off.

**Fan Speed Adjustment**

- Short press the "+" button to increase the fan speed in 20-level increments. Pressing the button five times will quickly increase the speed from Level 1 to Level 100.
- Press and hold the "+" button for smooth, continuous speed adjustment.
- Short press the "-" button to decrease the fan speed in 20-level increments. Pressing the button five times will quickly decrease from Level 100 to Level 1.
- Press and hold the "-" button for smooth, continuous speed reduction.
- When the fan is turned on, it defaults to Fan Speed Level 1.

**Cooling Function**

- Press and hold the power button to activate the cooling function. Press and hold again to turn the cooling function off.

**Display Status Description**

- The display shows the current fan speed and current battery level.

Status	Display Description
Power On	When powered on, fan starts at Speed Level 1 by default.
Adjust Fan Speed	Displays the current fan speed during adjustment. When charging, the display switches to charging status.
Power Display	When the fan is on, the display shows the current fan speed and battery level, and remains on continuously. During speed adjustment, the current fan speed is shown. Press the "+" button to reach maximum speed, then press "+" again to display the battery level. Press the "-" button to reach minimum speed, then press "-" again to display the battery level. After 5 seconds, the display automatically returns to the fan speed indicator.
Unable to Power On (Low Battery)	If the battery level is "0", the display will flash three times and then turn off.
Low Battery Reminder	When the battery level is 10% or lower, the battery icon will continue flashing.
Charging	During charging, the battery number scrolls continuously.
Fully Charged	When the battery reaches 100%, the display remains on. Disconnect the charger; the display will turn off automatically after 10 seconds.

**Helpful Tips**

Before turning on the fan, make sure the toggle switch is pushed upward to the ON position.

When storing the product, slide the toggle switch downward to the OFF position to prevent accidental activation.