

Recessed Hole



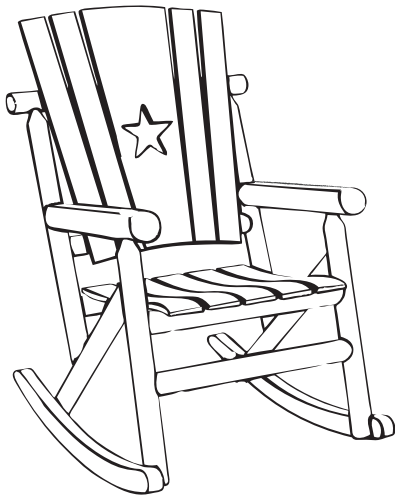
Pre-Checked

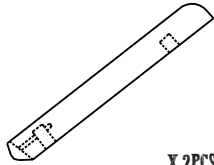
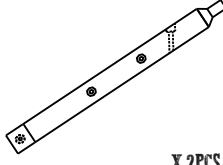
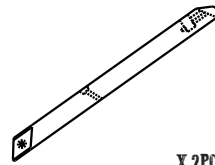
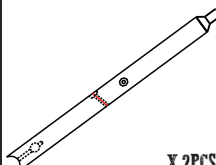
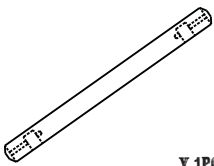
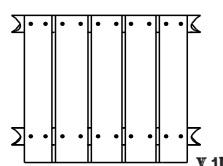
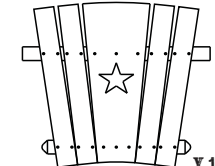
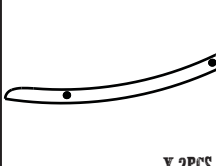
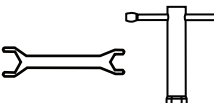
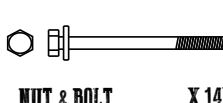


**IMPORTANT: READ CAREFULLY BEFORE BEGINNING**

1. Do not tighten bolts until fully assembled.
2. Recessed holes to face outward.
3. Insert bolts with washer and secure with washer and nut.
4. Pre-checked side must always face downward or inward.

TX 93615, TX 93619, TX 93621, TX 93860,  
TX 51020, TX 95100, TX 95101, TX 95102,  
TX 95104, TX 26513, TX 95106

**SINGLE ROCKER**



PARTS AND HARDWARE LIST			
<p>① AR55</p> <p>ARM REST</p>  <p>X 2PCS</p>	<p>② FL64</p> <p>FRONT LEG</p>  <p>X 2PCS</p>	<p>③ DS72</p> <p>DIAGONAL SUPPORT</p>  <p>X 2PCS</p>	<p>④ VS74</p> <p>VERTICAL SUPPORT</p>  <p>X 2PCS</p>
<p>⑤ LSB59</p> <p>LOWER SUPPORT BEAM</p>  <p>X 1PC</p>	<p>⑥ STS</p> <p>SEAT</p>  <p>X 1PC</p>	<p>⑦ BKS</p> <p>BACK</p>  <p>X 1PC</p>	<p>⑧ RM90</p> <p>RUNNER</p>  <p>X 2PCS</p>
<p><b>Tools Required for Assembly</b></p> <p>Mallet</p> <p>Socket &amp; Wrench 13mm</p> <p>Phillips Screwdriver</p>	<p><b>Tools Included</b></p> 	<p>Ⓐ M08-11</p>  <p>NUT &amp; BOLT X 14PCS</p>	<p>Ⓑ M08-8</p>  <p>NUT &amp; BOLT X 4PCS</p>
		<p>Ⓒ S04-4</p>  <p>SCREW X 6PCS</p>	

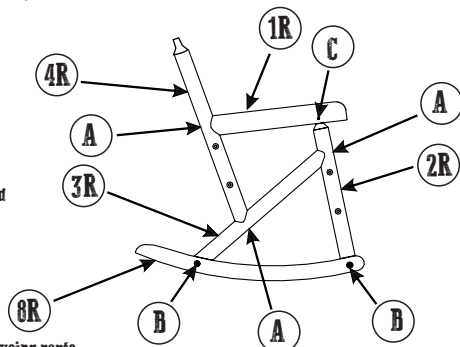
Power tools are not recommended while assembling this product.

**STEP 1: Assembling the Rocker Arm Frame**

Take one piece of the following parts with a letter "R" behind each number: 1, 2, 3, 4, 8 ("R" = Right)

- 1: Part 1 to part 4
- 2: Part 3 to part 2
- 3: Part 2 to part 1
- 4: Part 4 to part 3
- 5: Part 8 to Part 2 & 3

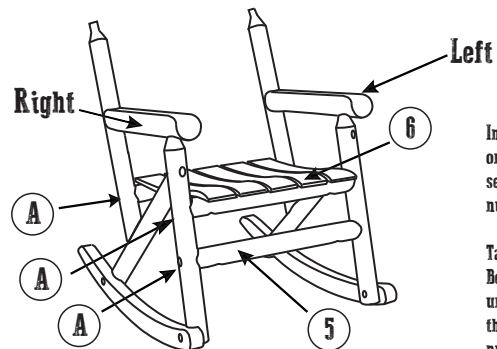
Use indicated hardware, directed by diagram.



REPEAT steps 1 through 5 above using parts labeled with a letter "L" ("L" = Left) after the part number.

**STEP 2: Assembling the Bottom Half**

Take assembled SEAT PANEL (6) and one of the arm frames. Keep the arm frame standing and attached the SEAT PANEL (6) to the inside of the arm frame, secure with the indicated nuts and bolts.

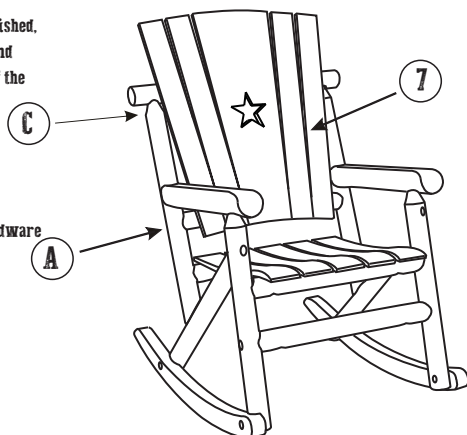


Insert the other arm frame on the other side and secure loosely with nuts and bolts.

Take the Lower Support Beam (5) and secure under the seat between the arm frame with nuts and bolts.

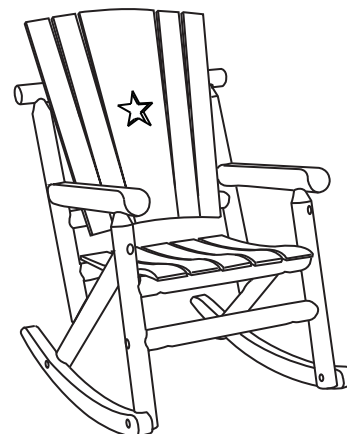
**STEP 3: Assembling the Upper Half**

Once the bottom half is finished, take the BACK PANEL (7) and place it gently on part 4 of the arm frame.



Secure with indicated hardware in the diagram.

**STEP 4: Finish**



Tighten all nuts, bolts, and screws once every part and assembled pieces are in place.

**Congratulations on your assembly!**