

221008 551-G常规说明书
210x285mm

Warning:

- 1.The Ride-On car is designed for children aged 18 + months.
The rider's weight must not exceed 25kgs.
- 2.The product is designed to only seat 1 child at a time to avoid injuries.
- 3.Parental guidance and supervision are strongly advised.
- 4.To ensure safety, all parts of the product must be assembled by an adult.
- 5.Avoid going near streets, crossroads, traffic areas, swimming pools and stairs when riding the car.
- 6.Check the product regularly to make sure everything is secure.
In particular, the nut and bolt on the steering wheel must be tightened.
- 7.Dangers may occur if the product is not correctly assembled.
- 8.Shoes must be worn.

Battery Handling:

- 1.Battery must be handled by adults only.
- 2.Always remove exhausted batteries.
- 3.Use 2 xAA size batteries (not included) to make the lights and sound work.
- 4.Alkaline batteries are recommended.
- 5.Always remove batteries when the unit is not going to be used for an extended period of time.
- 6.When replacing new batteries, always replace all batteries.
- 7.Do not mix old and new batteries.
- 8.Do not mix Alkaline, Standard (Carbon-Zinc), or Rechargeable (Nickel-Cadmium) batteries.
- 9.Do not dispose of batteries in fire, batteries may explode or leak.
- 10.Non-rechargeable batteries are not to be recharged.
- 11.Rechargeable batteries are to be removed from the toy before being charged.
- 12.Rechargeable batteries are only to be charged under adult supervision.
- 13.Batteries are to be inserted with the correct polarity.
- 14.The supply terminals are not to be short-circuited.



Activity Ride-On
Instructions Manual
Item No.:551



CAUTION:

- This package contains small parts which are for adult assembly only
- Care should be taken when unpacking and assembling toy.

WARNING

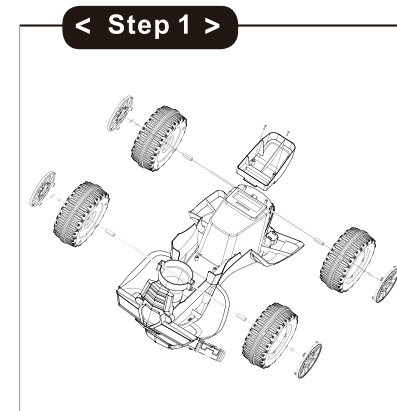
Adult Assembly Required

Goodyear (and winged foot design) and Blimp are trademarks of The Goodyear Tire & Rubber Company used under license by Ningbo Prince Toys Co., Ltd., China. Copyright 2019 The Goodyear Tire & Rubber Company.

ASSEMBLY INSTRUCTIONS

COMPONENTS LIST

1.Car body x1		2.Handle x1	
3.Backrest x1		4.Wheel x4	
5.Wheel cap x4		6.Anti-tumble shelf x1	
7.Plastic ring x4		8.Cotter Pin x2	
9.Axle x2		10.Washer x4	
11.Bolt x1		12.Nut x1	
13.Screw x2			

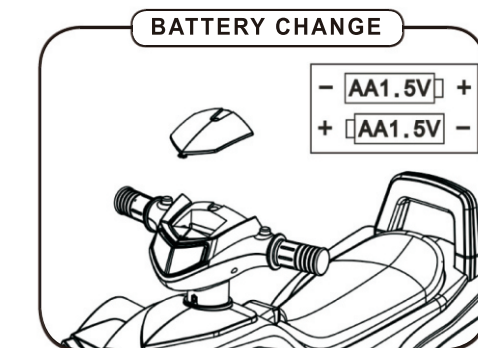


How to assemble the wheels :

- Insert the axle through plastic rings into the main body of the car, tighten using a cotter pin.
- Assemble the four wheel caps.

How to assemble the anti-tumble shelf:

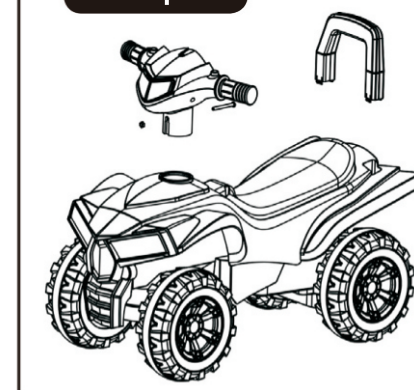
- Place the anti-tumble shelf into the rear of the body.
- Assemble the two screws with a screwdriver.



How to change the battery:

- Loosen the screw with a screwdriver.
- Keep the screw in a safe place away from children's reach.
- Put 2AA batteries in the battery house.
- Press the buttons on the handle to check the batteries are functioning and to make sure the revving engine, the horn and the blinking lights are properly activated.

< Step 2 >



How to assemble the handle:

- Place the handle.
- Insert the bolt into the hole and tighten with a screwdriver.

How to assemble the toddler bar:

- Place the toddler bar over the holes in the rear of the product.
- Whilst holding the front of the vehicle down, push firmly on the toddler bar so that it fits into the holes. Ensure the toddler bar is properly fitted.