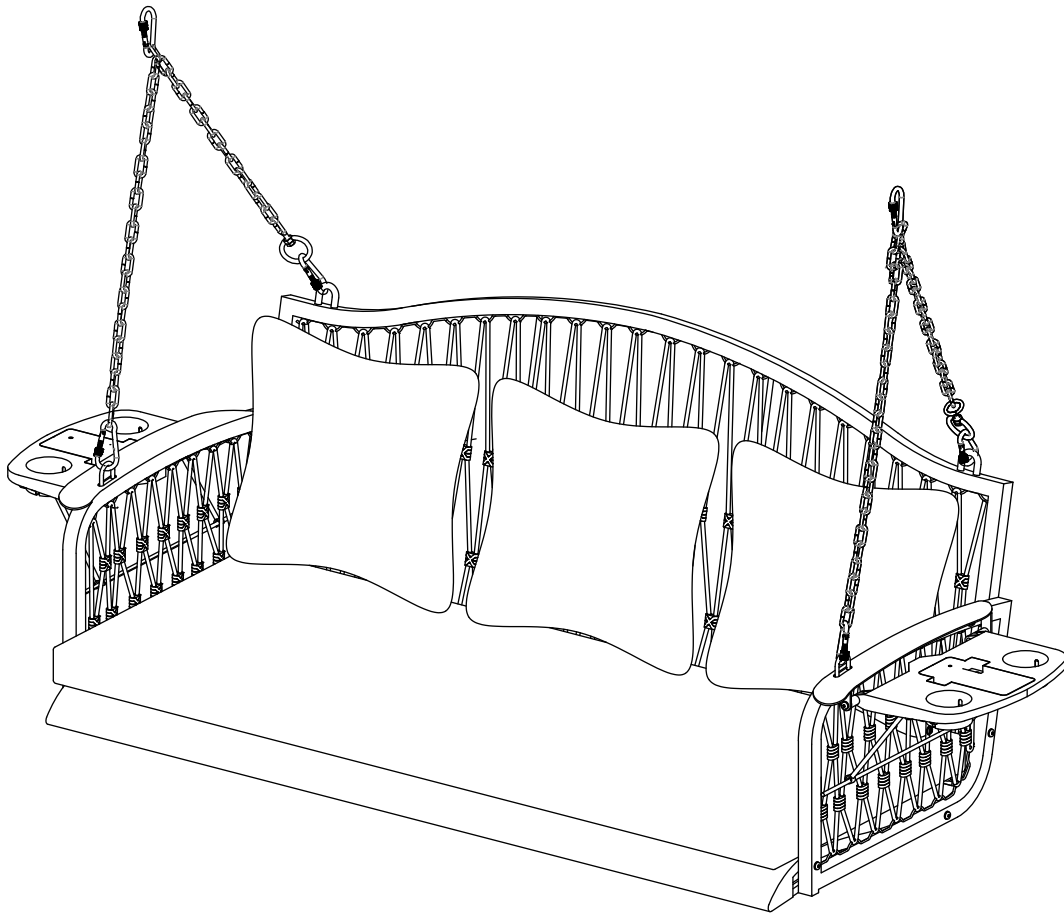


PORCH SWING

ASSEMBLY INSTRUCTION



If you have any questions, feel free to email us
at zzwservice@gmail.com

THANK YOU

zzwservice@gmail.com

Register and Get the Full Benefit

It's our way of saying thank you.

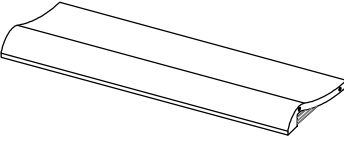
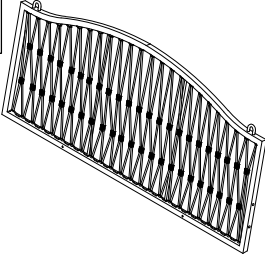
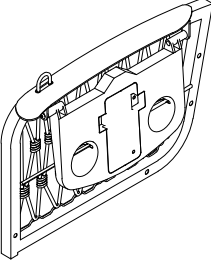
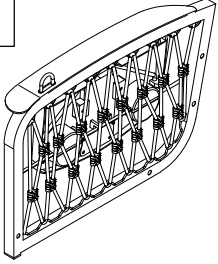
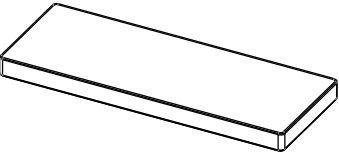
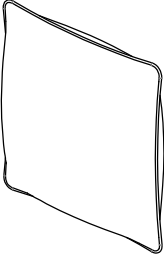
Register your product to enjoy a number of benefits:

- (1) 1-year warranty extension
- (2) 24/7 quicker service and product support
- (3) Chance to test new products for free
- (4) Get specific discount on shop items

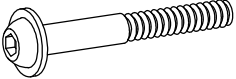
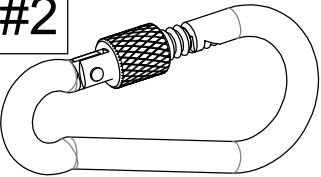
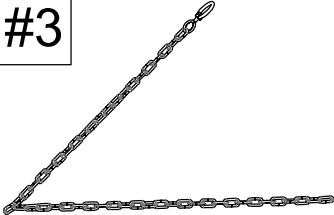

Register Way: Send " your name + order ID " to
zzwservice@gmail.com

Assembly Instruction

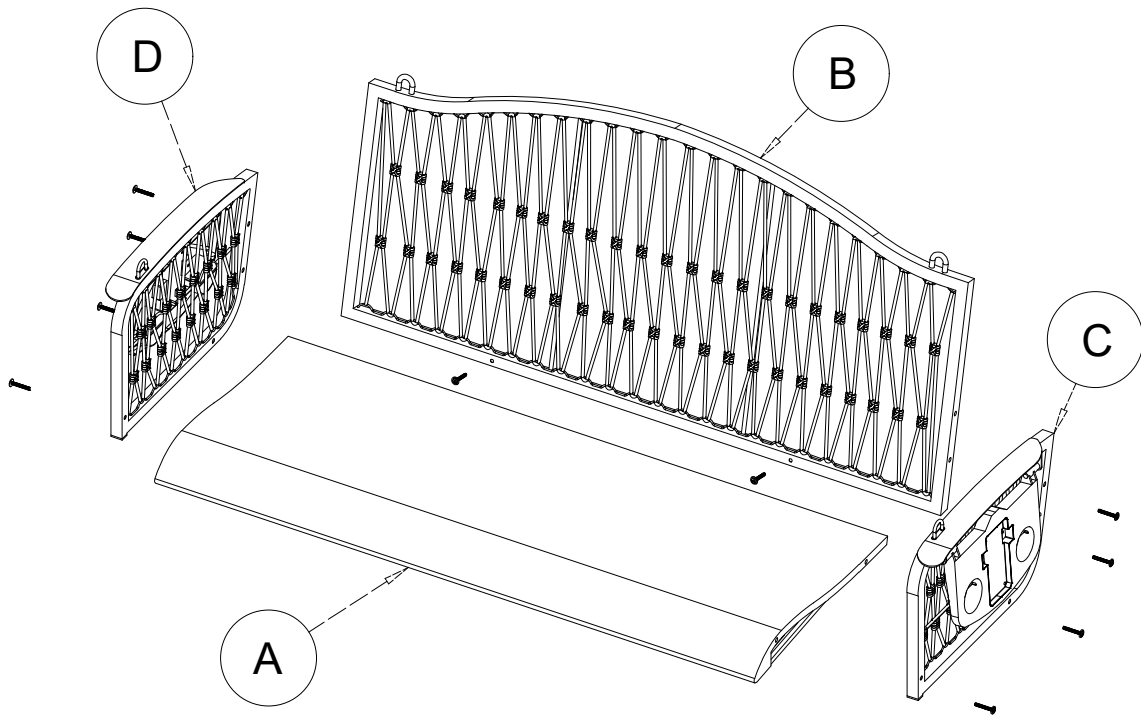
Parts List

<p>A</p>  <p>Seat panel</p>	<p>B</p>  <p>Back panel</p>	<p>C</p>  <p>Left armrest</p>	<p>D</p>  <p>Right armrest</p>
<p>1 PC</p>	<p>1 PC</p>	<p>1 PC</p>	<p>1 PC</p>
<p>E</p>  <p>Seat cushion</p>	<p>F</p>  <p>Back cushion</p>	<p>The cushions are vacuum-packed, so please be patient and wait for the rebound</p>	
<p>1 PC</p>	<p>3 PCS</p>		

Hardwares List

<p>#1</p>  <p>Screw M6*45 (mm)</p>	<p>#2</p>  <p>Big nut safety clasp</p>	<p>#3</p> 	<p>#4</p> 
<p>10 PCS</p>	<p>6 PCS</p>	<p>2 PCS</p>	<p>1 PC</p>

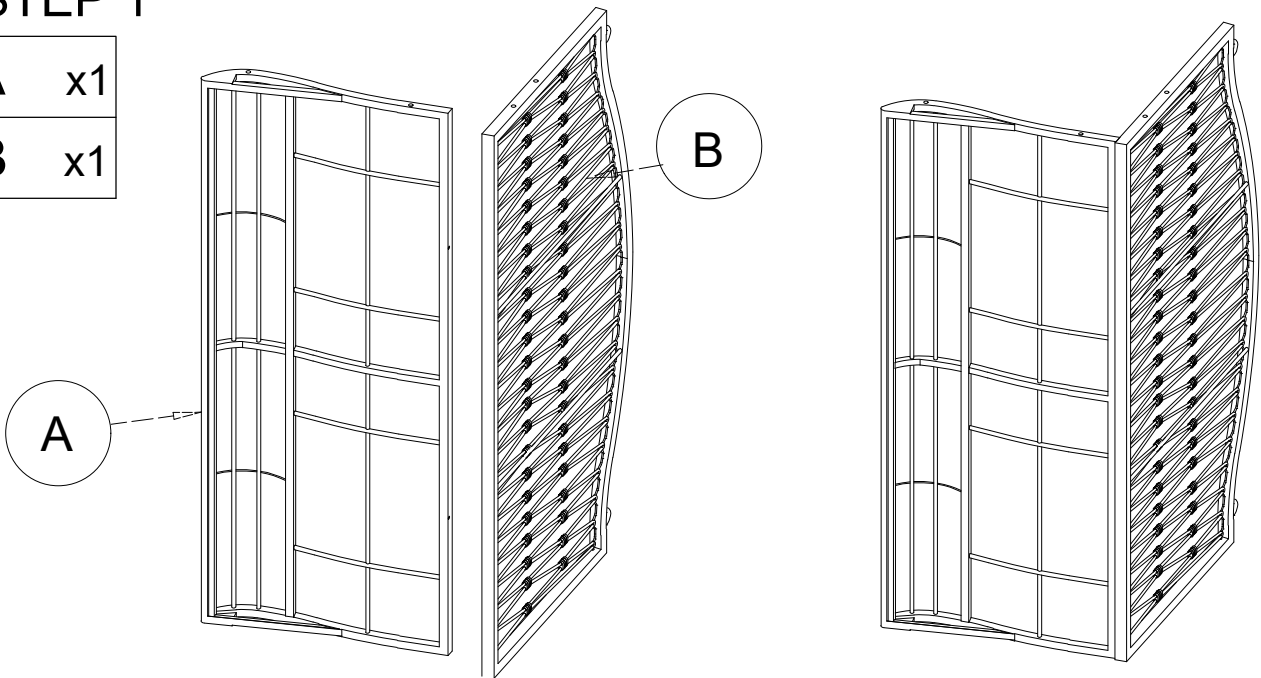
Assembly Instruction - Porch swing



STEP 1

A x1

B x1



1.1

1.2

vertical installing

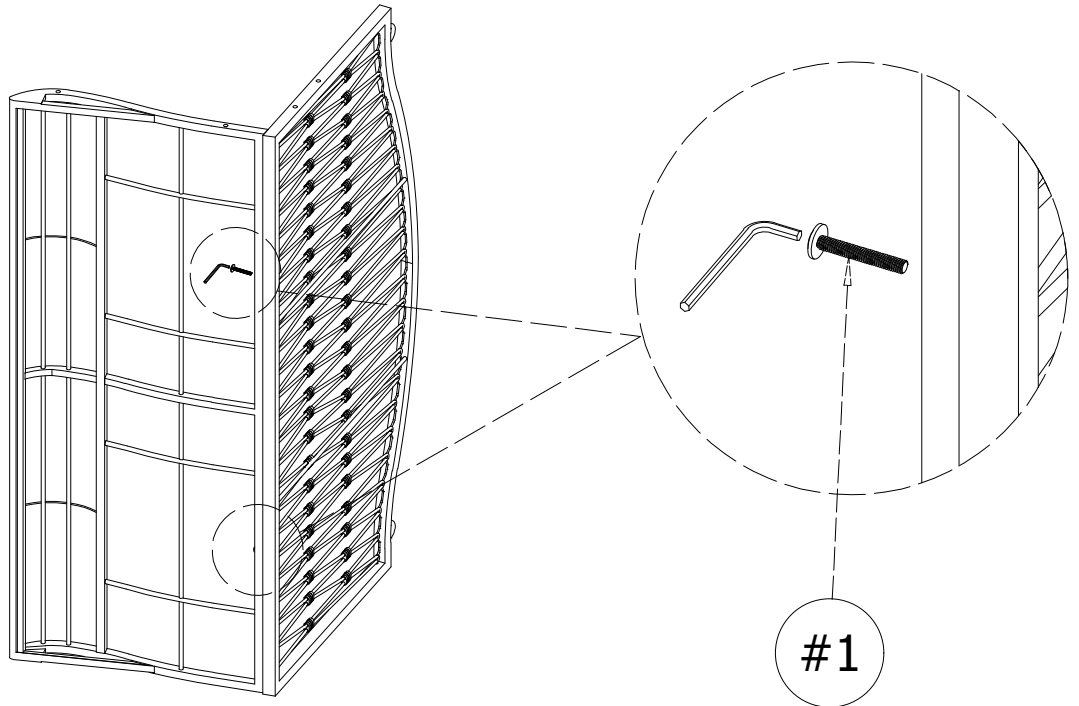
Place A and B as shown in the figure

Assembly Instruction - Porch swing

STEP 2

#1 x2

if installed flat on the floor, the screws may not be able to be screwed in

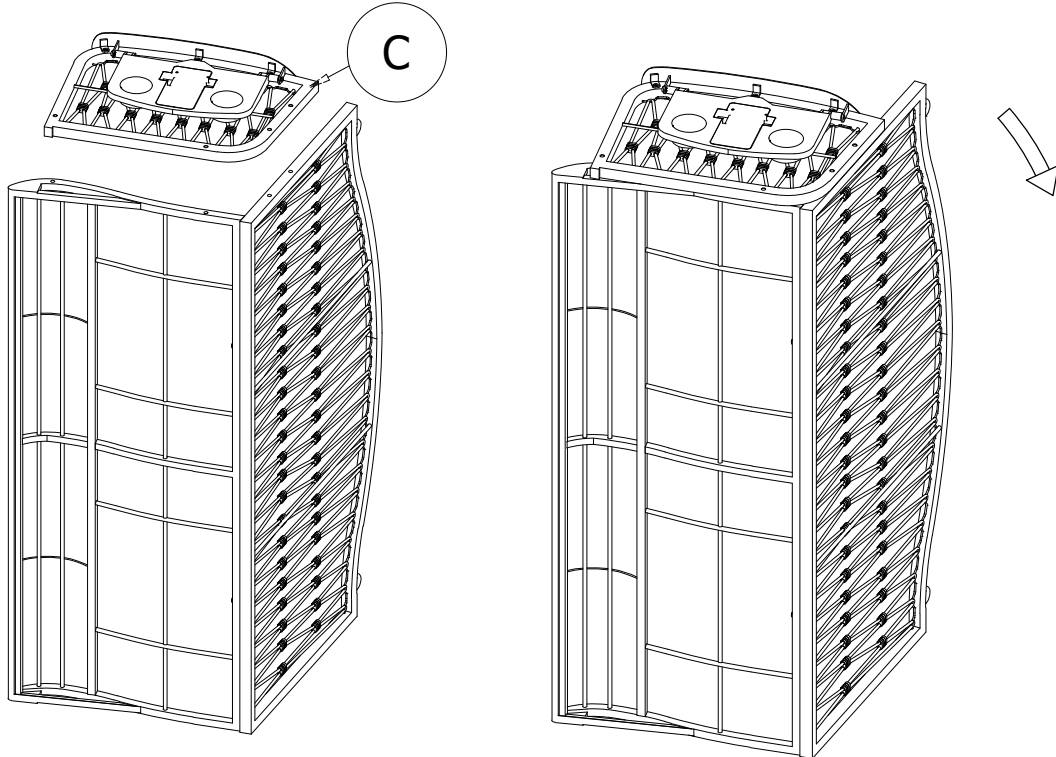


DO NOT tighten the screws, just screw in a few turns of wire thread;

Assemble B with A using screw #1;

STEP 3

C x1



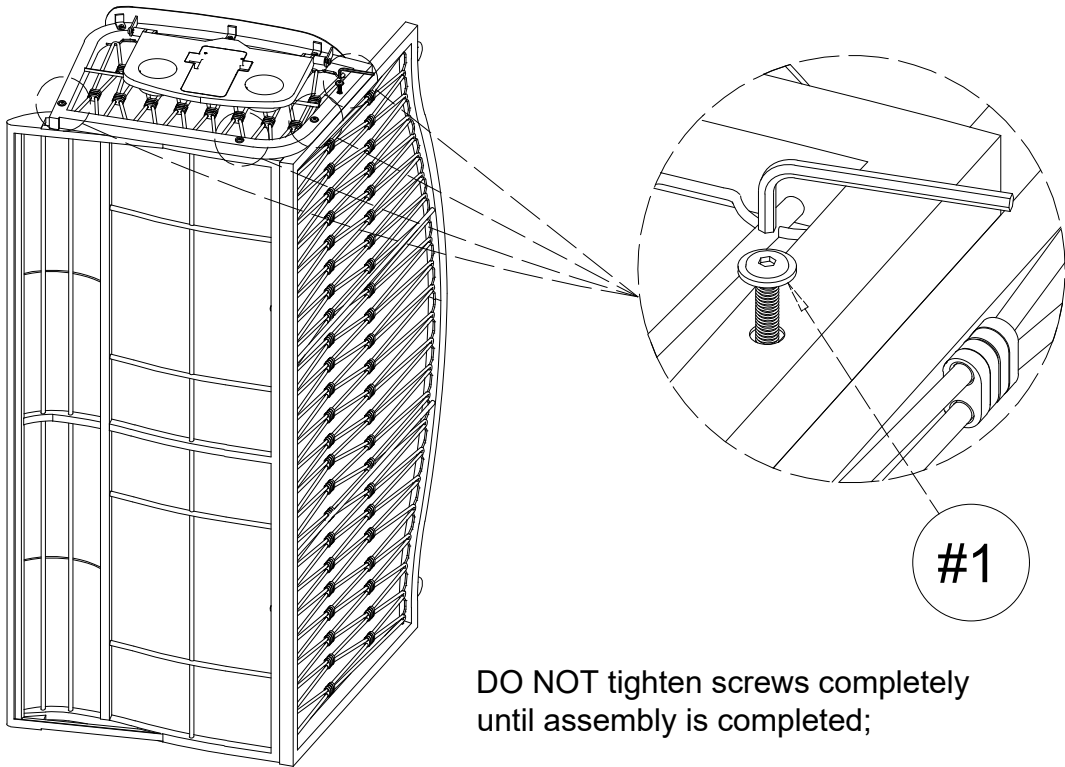
3.1 Place C as shown in the figure;

3.2 Place C on A and B, adjust the angle of B to align the screw holes;

Assembly Instruction - Porch swing

STEP 4

#1 x4

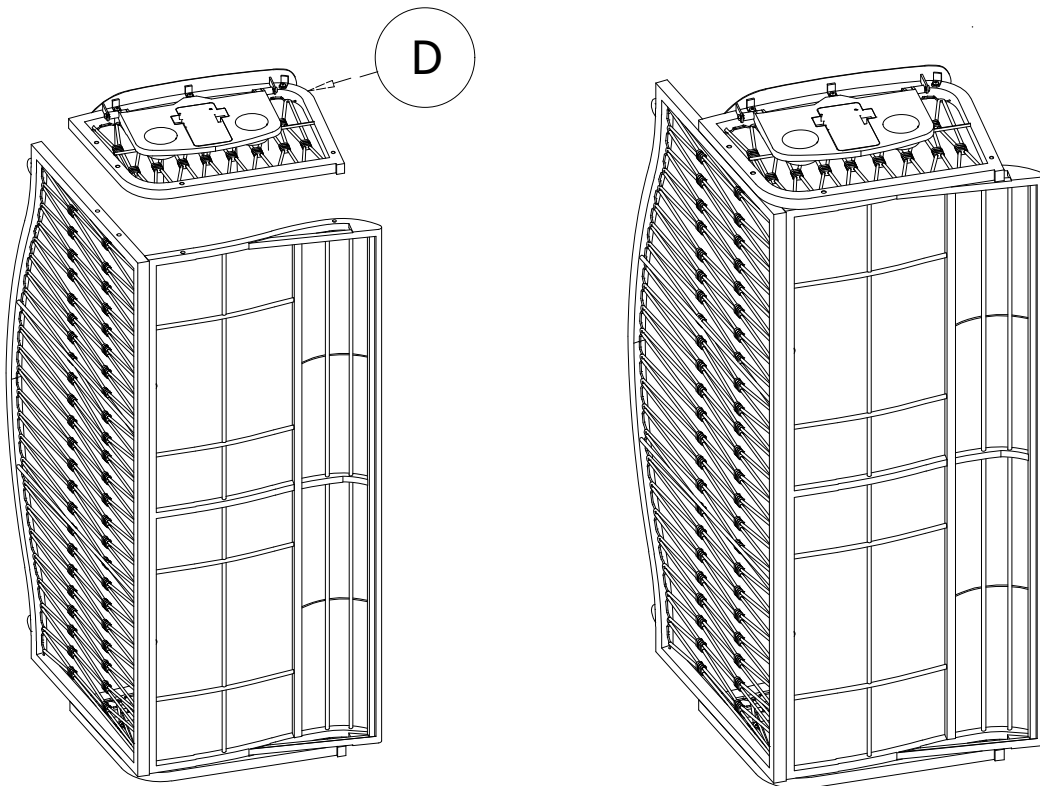


DO NOT tighten screws completely until assembly is completed;

Assemble C with A and B using screw #1 ;

STEP 5

D x1

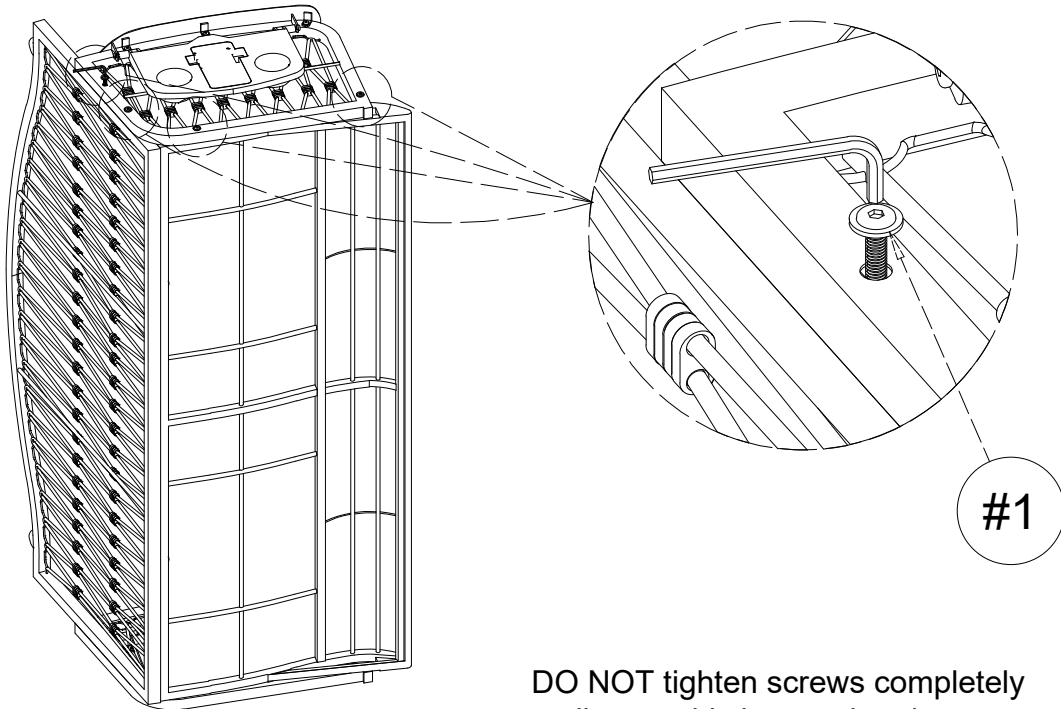


Place D on A and B;

Assembly Instruction - Porch swing

STEP 6

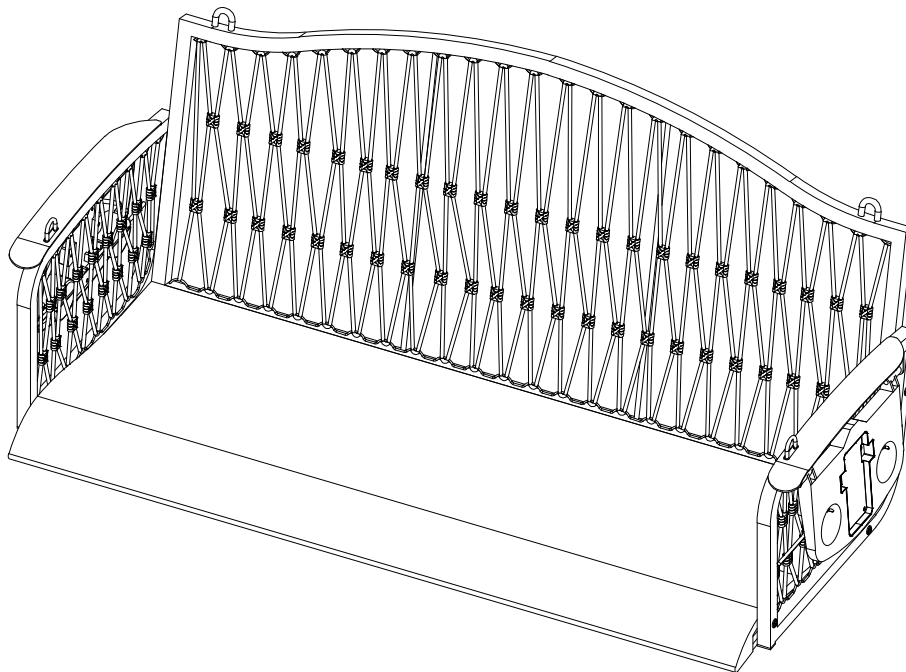
#1 x4



DO NOT tighten screws completely until assembly is completed;

Assemble D with A and B using screw #1;

STEP 7



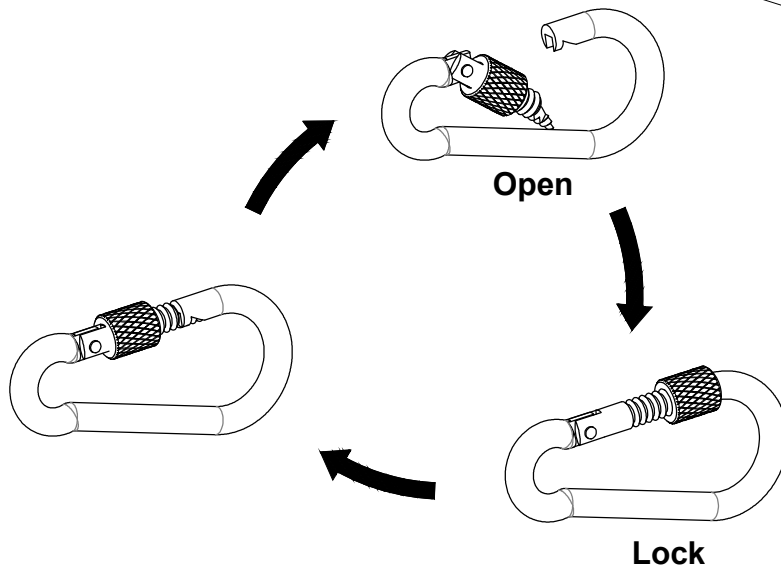
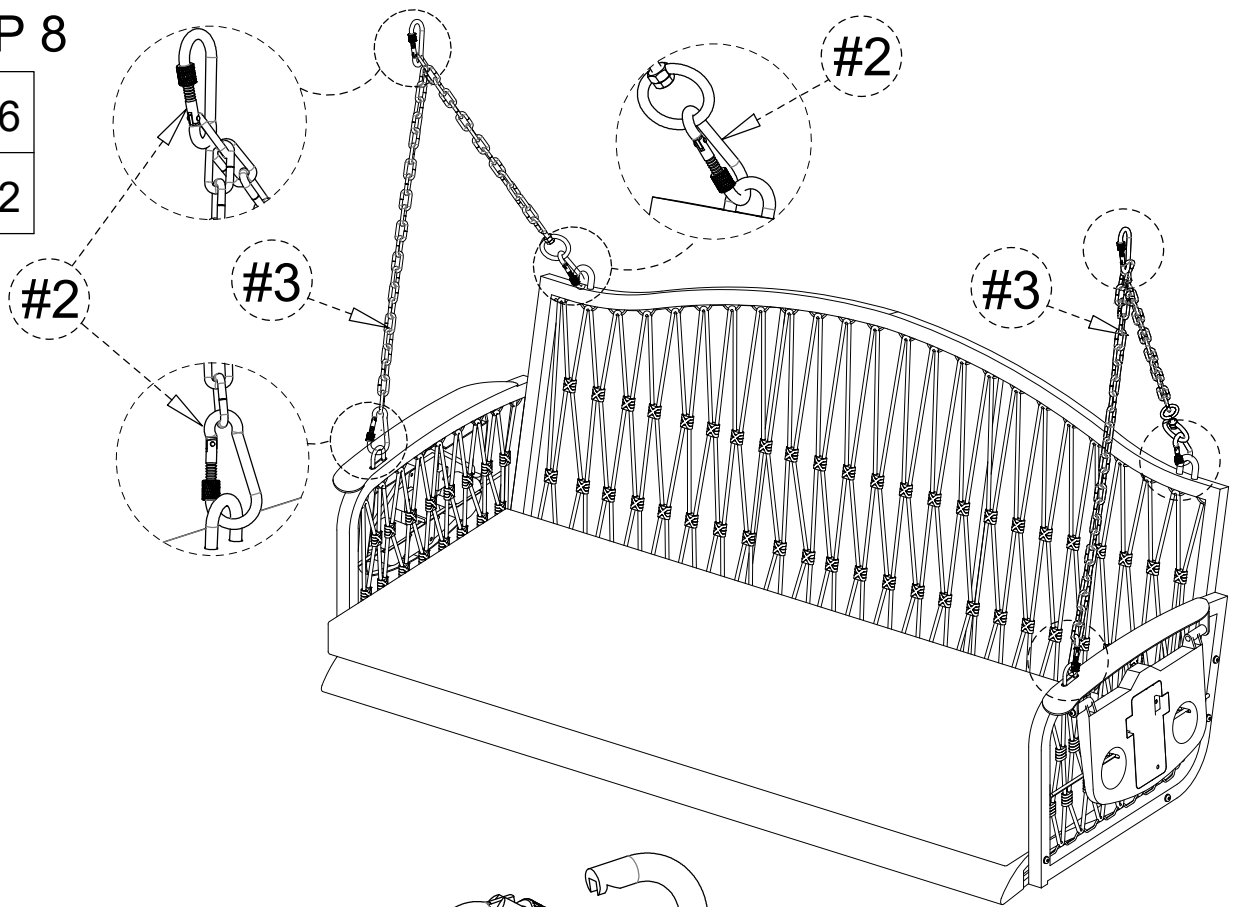
Tighten all the screws completely;

Assembly Instruction - Porch swing

STEP 8

#2 x6

#3 x2



The nut safety buckles must be locked;
Regularly inspect the chain and the suspension
as a whole for safety hazards.

Suspend the swing chair with chains where needed as shown;
Adjust the length of the chain suspension as needed to adjust the tilt angle of the swing chair;

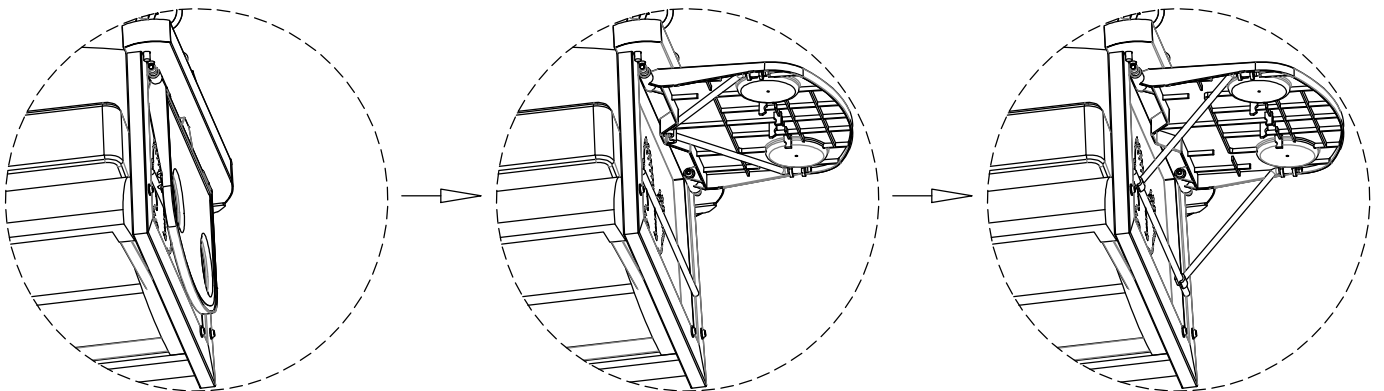
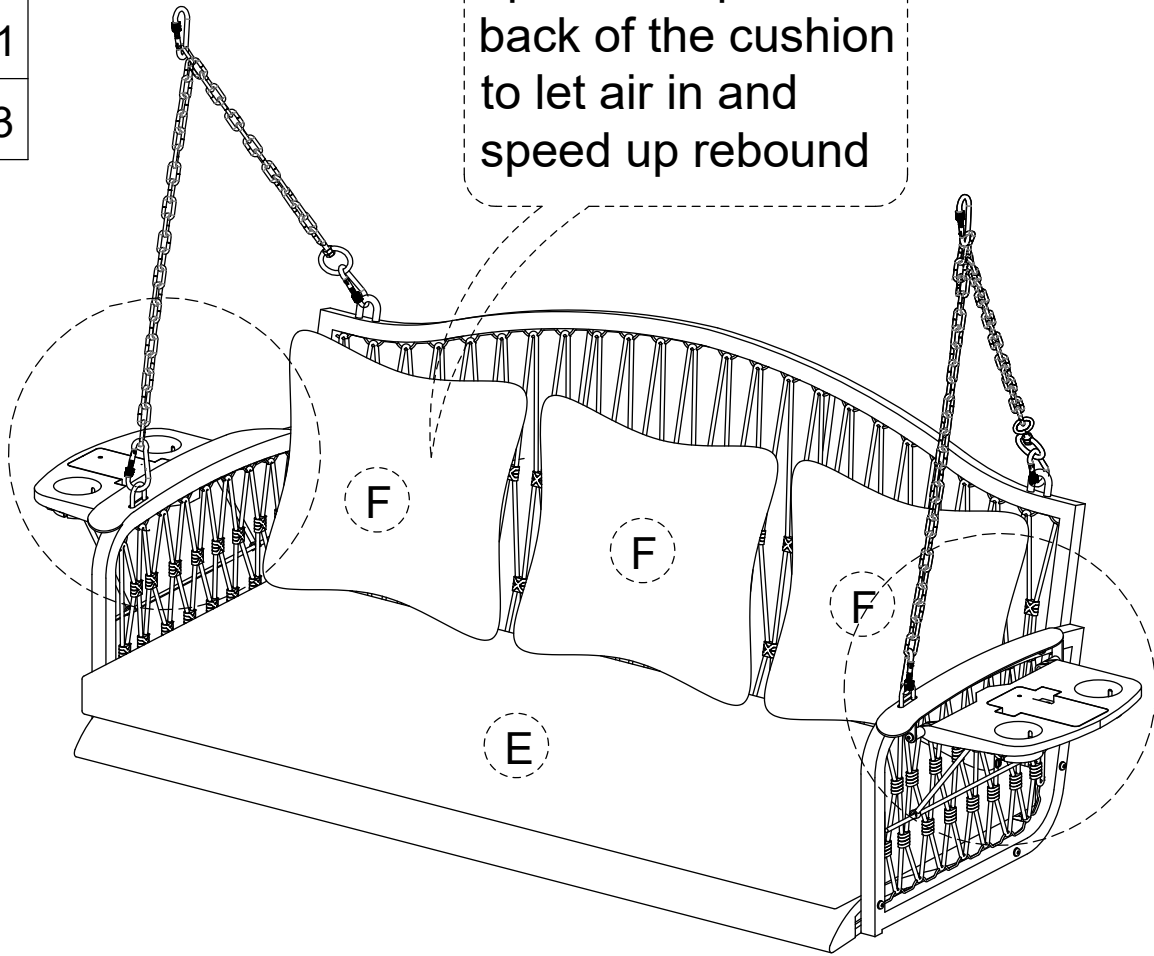
Assembly Instruction - Porch swing

STEP 9

E x1

F x3

open the zip on the back of the cushion to let air in and speed up rebound



The plastic tea table can be unfolded and retracted.

Place E and F as shown in the figure;