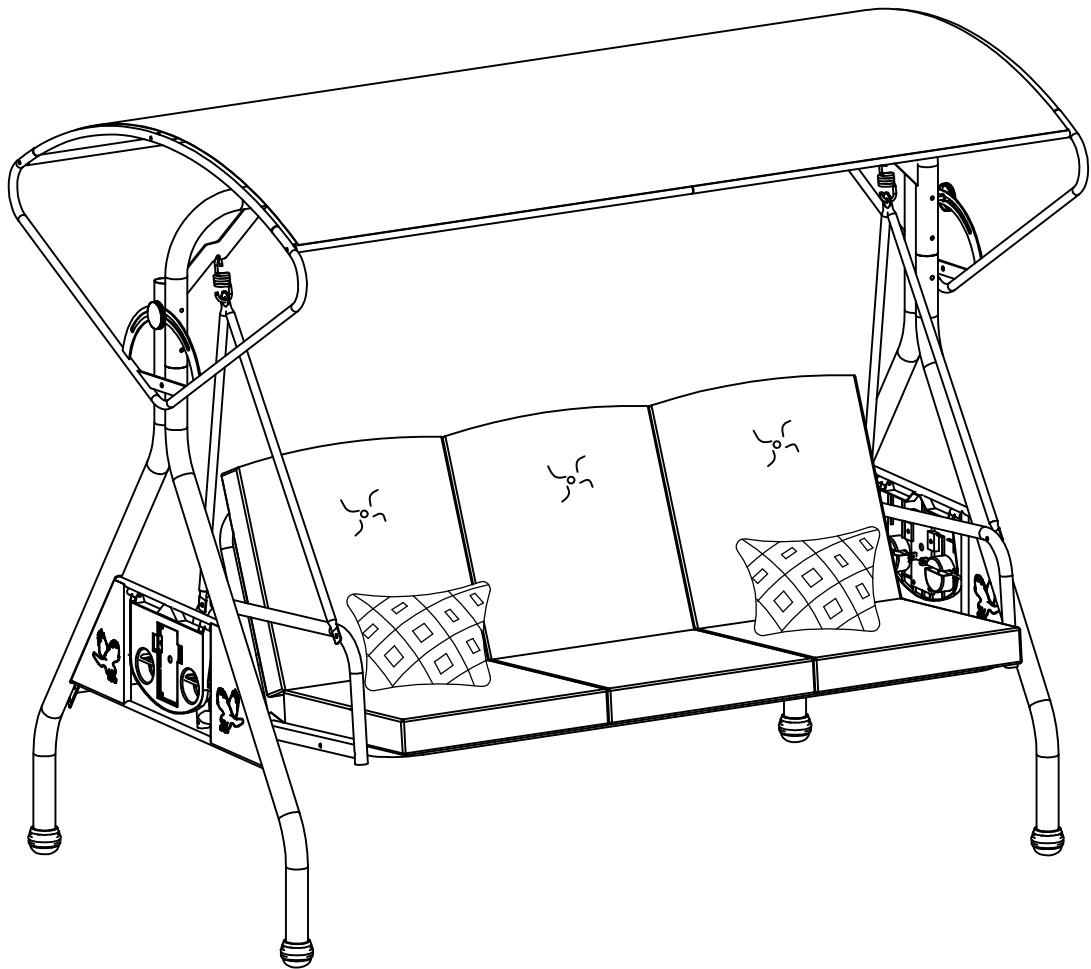


PATIO SWING

ASSEMBLY INSTRUCTION



If you have any questions, feel free to email us at zzwservice@gmail.com

THANK YOU

Register and Get the Full Benefit

It's our way of saying thank you.

Register your product to enjoy a number of benefits:

- (1) 1-year warranty extension
- (2) 24/7 quicker service and product support
- (3) Chance to test new products for free
- (4) Get specific discount on shop items

Register Way: Send " your name + order ID " to zzwservice@gmail.com

Adult Swing Usage Instructions

1. Cushion Usage Recommendation

We recommend always using the manufacturer-supplied cushion. For better comfort and support, avoid sitting directly on the seat without this designated cushion—using the cushion enhances both user experience and basic support.

2. Canopy Installation Guide

It is recommended to fully install the canopy during initial assembly. This aligns with the product's safety design and helps improve seat stability.

3. Bed Mode Conversion Tip

Before using bed mode, we suggest confirming the locking buckle is securely fastened to ensure safe use.

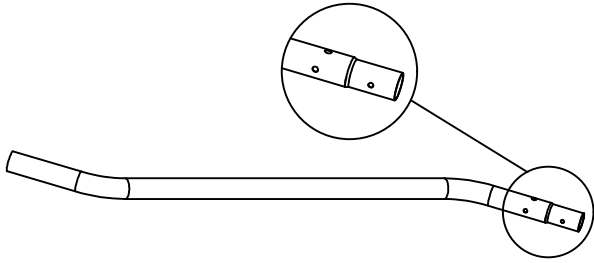
4. Screw Tightening Recommendation

For optimal safety, use the recommended tool to fully insert and tighten all factory-provided hardware. After first use, and approximately monthly thereafter, check screw tightness—it's a practical step to maintain device stability.

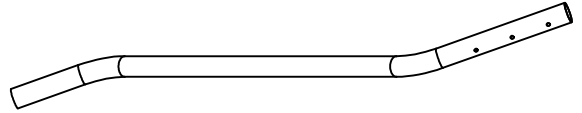
Assembly Instruction

Parts List

A1



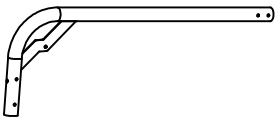
A2



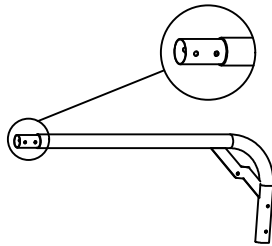
2PCS

2PCS

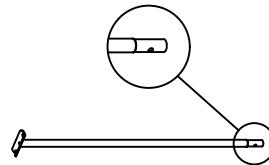
B1



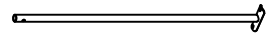
B2



C1



C2



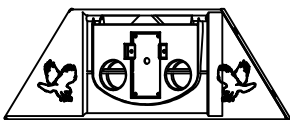
1PC

1PC

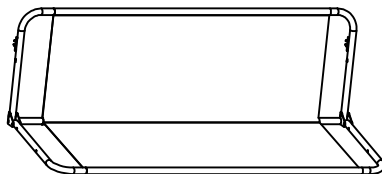
1PC

1PC

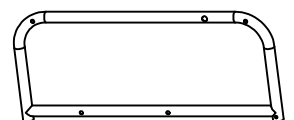
D



E



F1



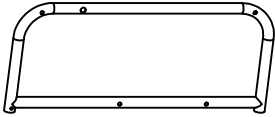
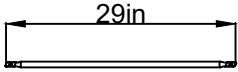
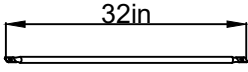
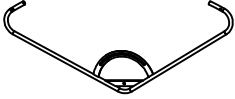

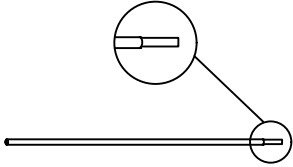


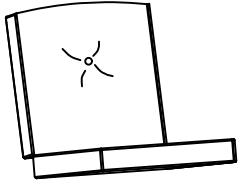
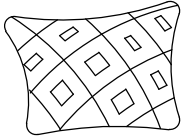

2PCS

1PC

1PC




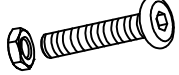
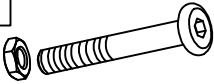
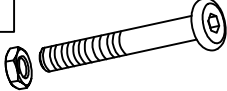
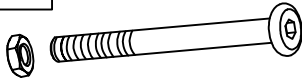
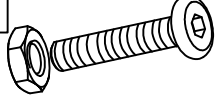
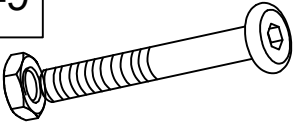
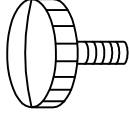
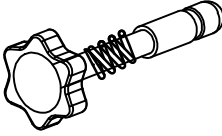
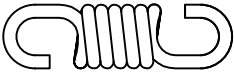

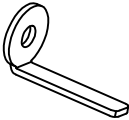
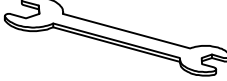

Assembly Instruction

Parts List

| | | | |
|--|---|---|---|
| <p>F2</p>  | <p>G1</p>  | <p>G2</p>  | <p>H1</p>  |
| <p>1PC</p> | <p>2PCS</p> | <p>2PCS</p> | <p>2PCS</p> |
| <p>H2</p>  | <p>H3</p>  | <p>H4</p>  | <p>I</p>  |
| <p>2PCS</p> | <p>3PCS</p> | <p>3PCS</p> | <p>1PC</p> |
| <p>J</p>  | <p>K</p>  | <p>L</p>  | |
| <p>3PCS</p> | <p>2PCS</p> | <p>4PCS</p> | |

Assembly Instruction

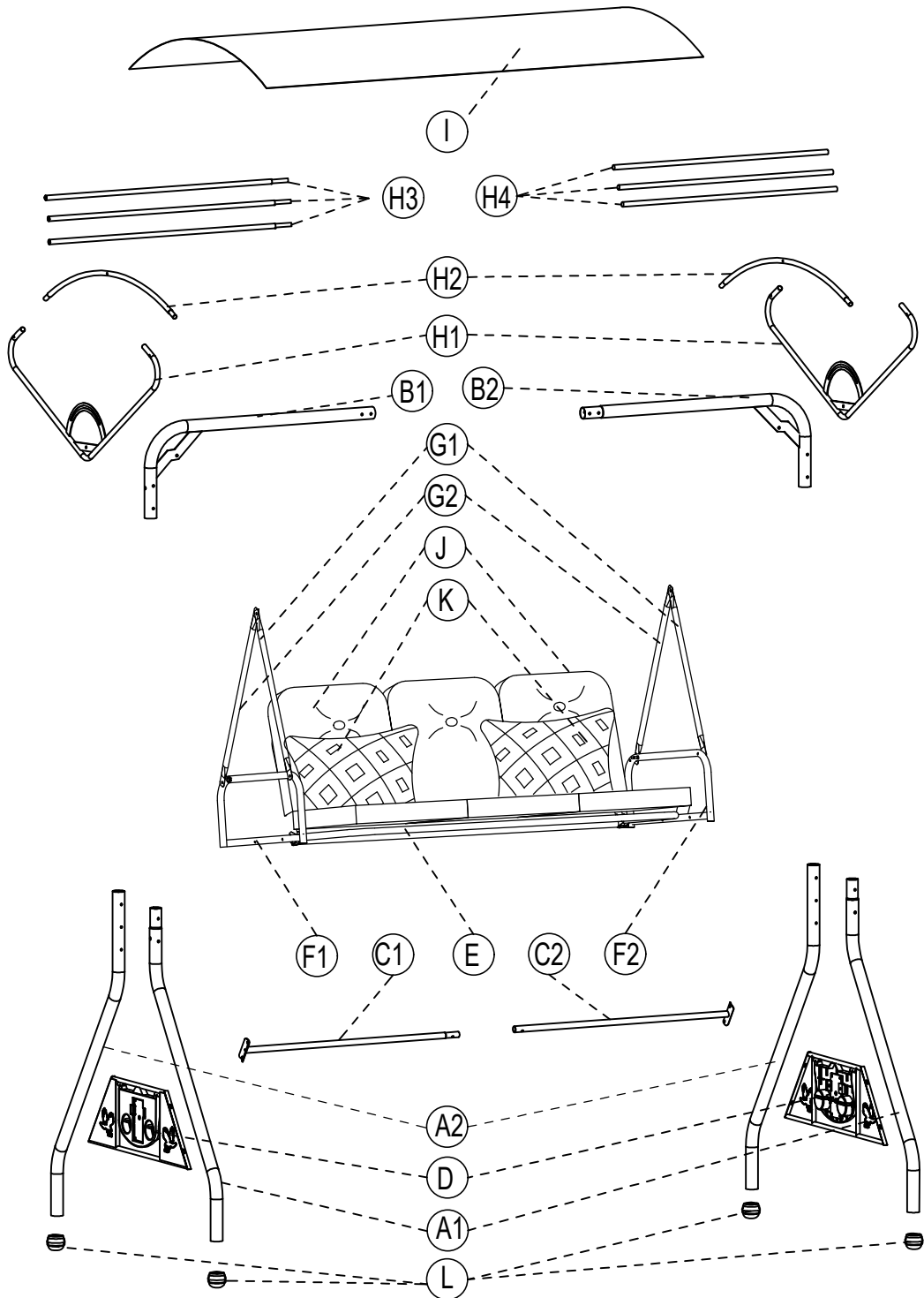
Parts List

| | | | | | | | |
|-----|--|-----|--|-----|--|-----|--|
| #1 |  M6*15mm 8PCS | #2 |  M6*30mm 1PC | #3 |  M6*35mm 6PCS | #4 |  M6*40mm 2PCS |
| #5 |  M6*55mm 2PCS | #6 |  M6*65mm 4PCS | #7 |  M6*105mm 6PCS | #8 |  M8*45mm 4PCS |
| #9 |  M8*75mm 6PCS | #10 |  2PCS | #11 |  2PCS | #12 |  2PCS |
| #13 |  8PCS | #14 |  2PCS | #15 |  Wrench(M6-M8) 1PC | #16 |  1PC |

DANGER

1. Please assemble according to the installation steps in the manual.
2. During the assembly process, please tighten the screws by 80%. After all the screws are assembled, they can be tightened by 100%.
3. During assembly, please install it on the carpet or soft grass to avoid product damage. Thank you.

Assembly Instruction



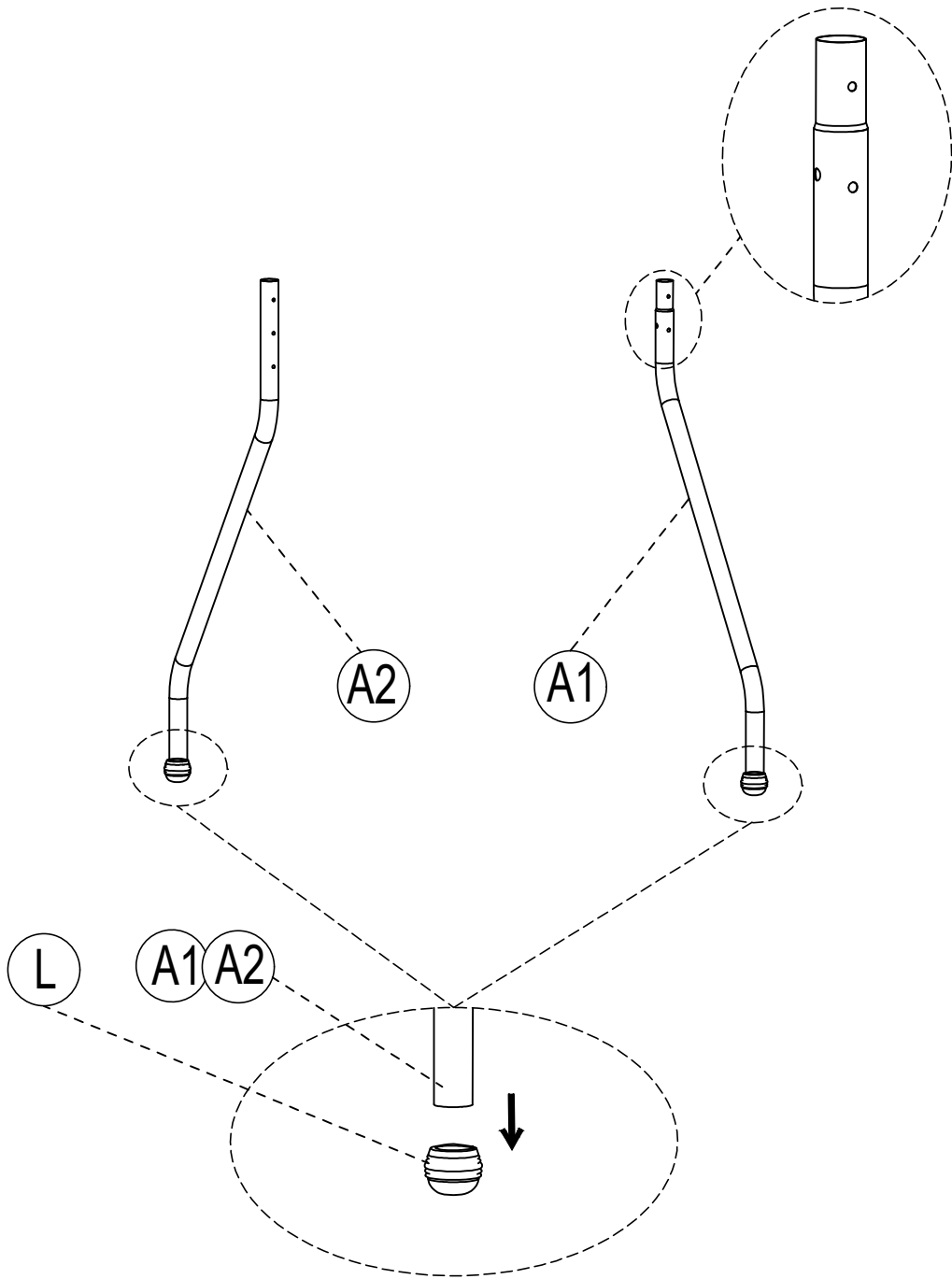
Assembly Instruction

STEP1

A1*2

A2*2

L*4



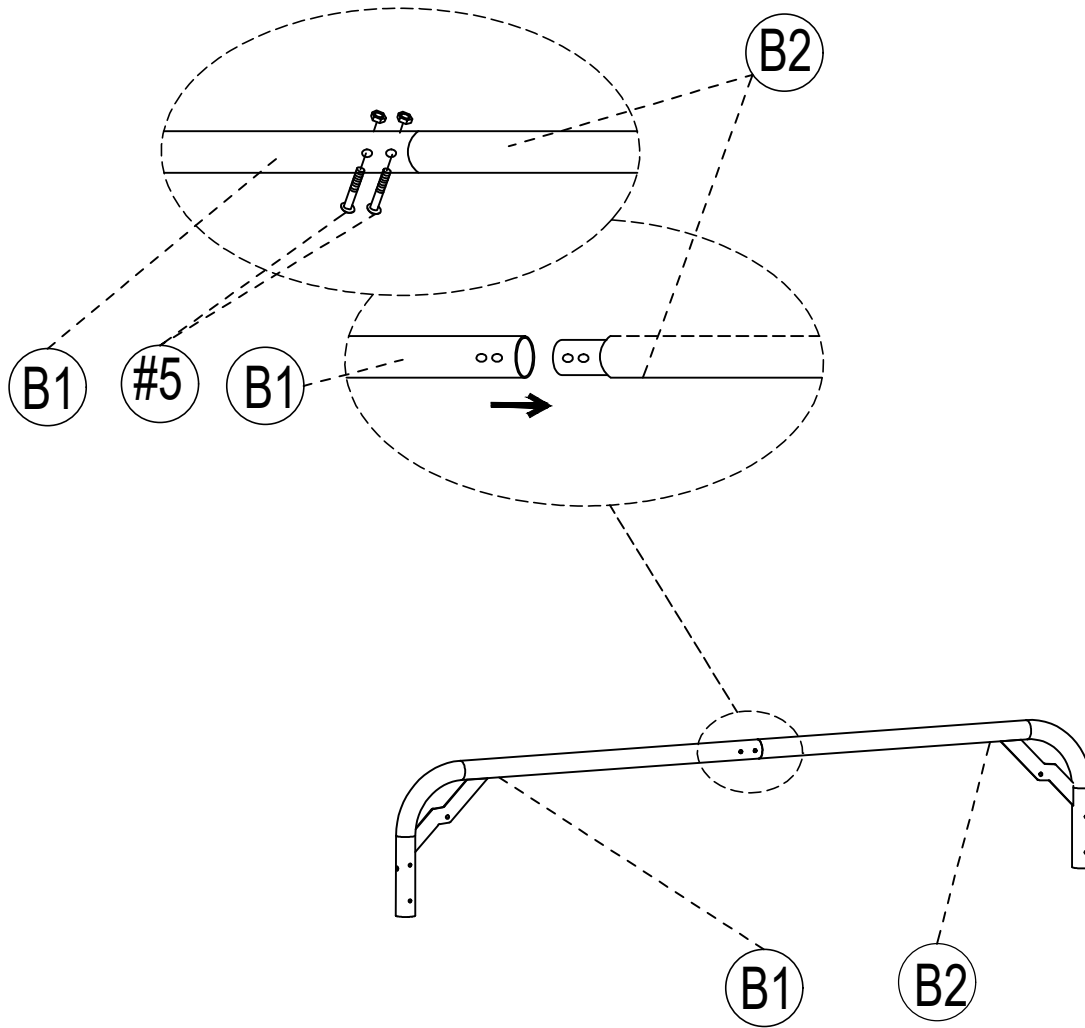
Assembly Instruction

STEP2

B1*2

B2*2

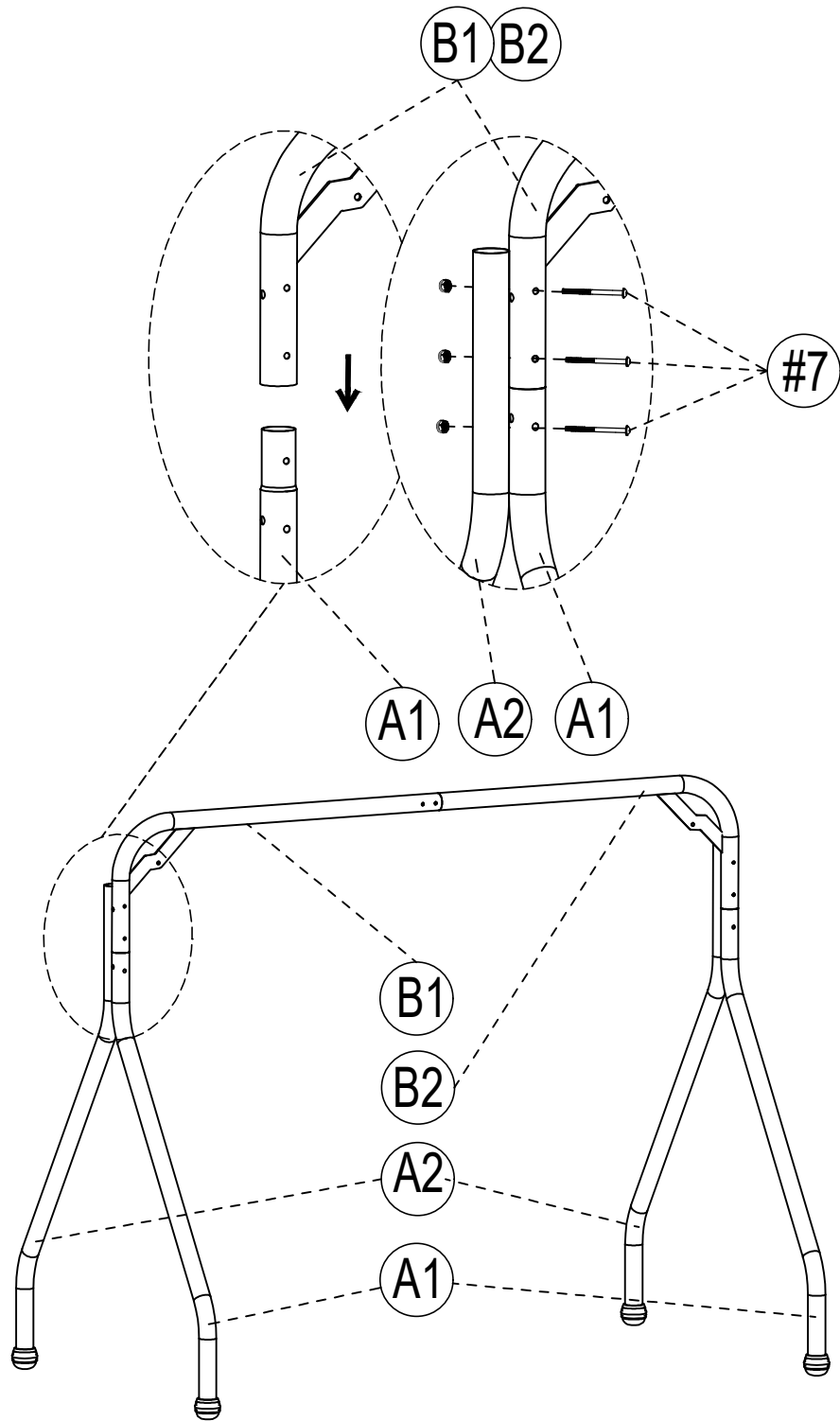
#5*2



Assembly Instruction

STEP3

#7*6



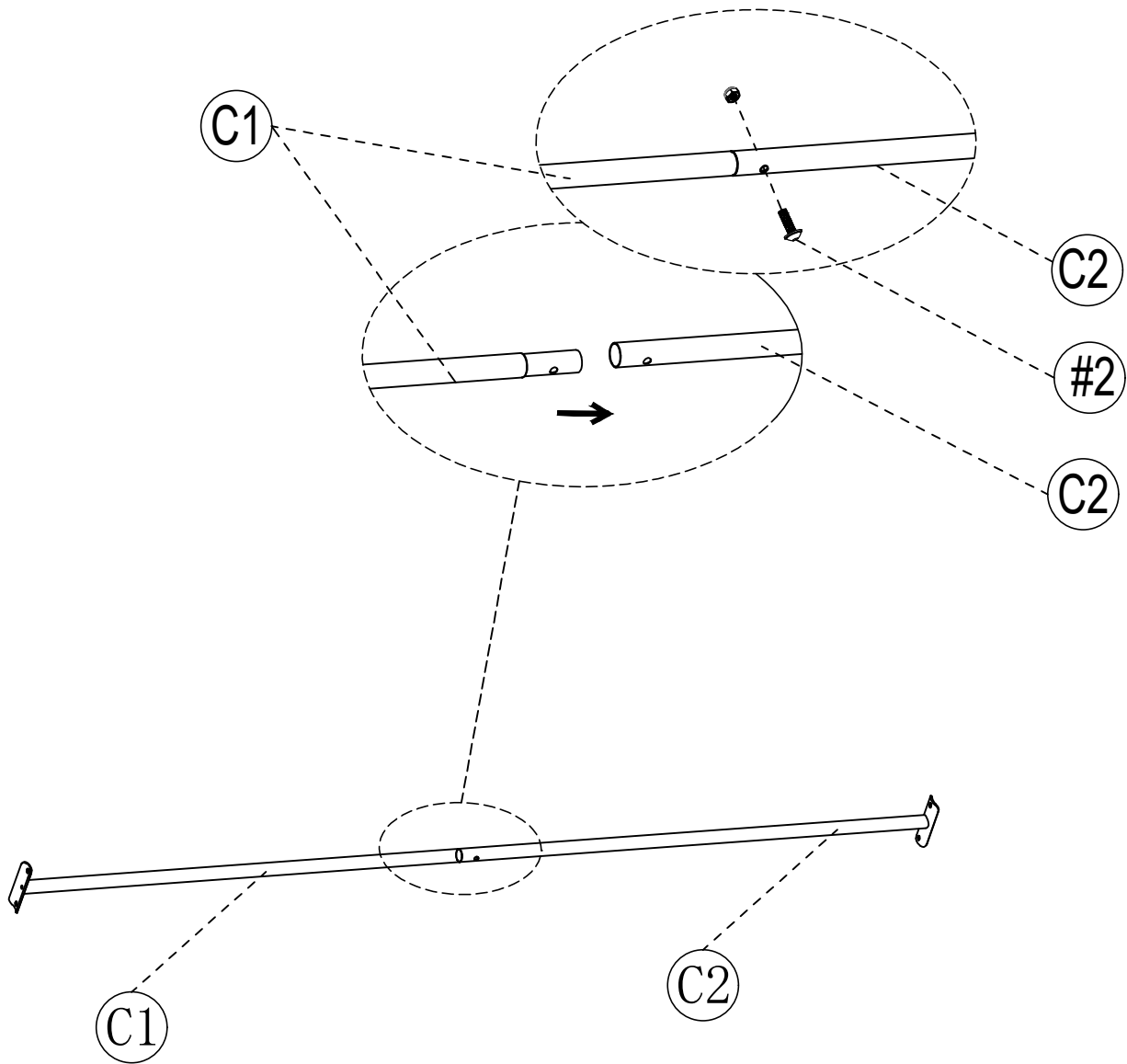
Assembly Instruction

STEP4

C1*1

C2*1

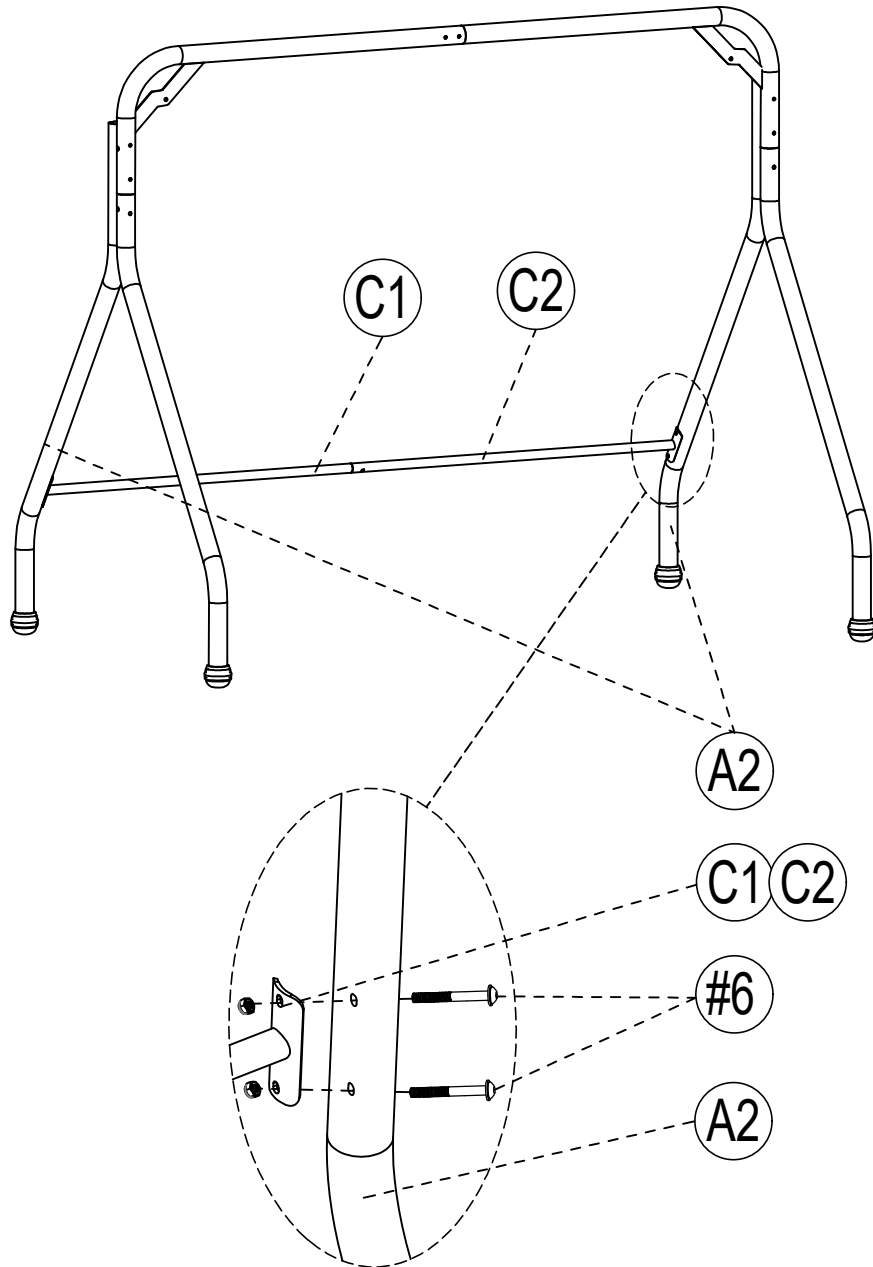
#2*1



Assembly Instruction

STEP5

#6*4

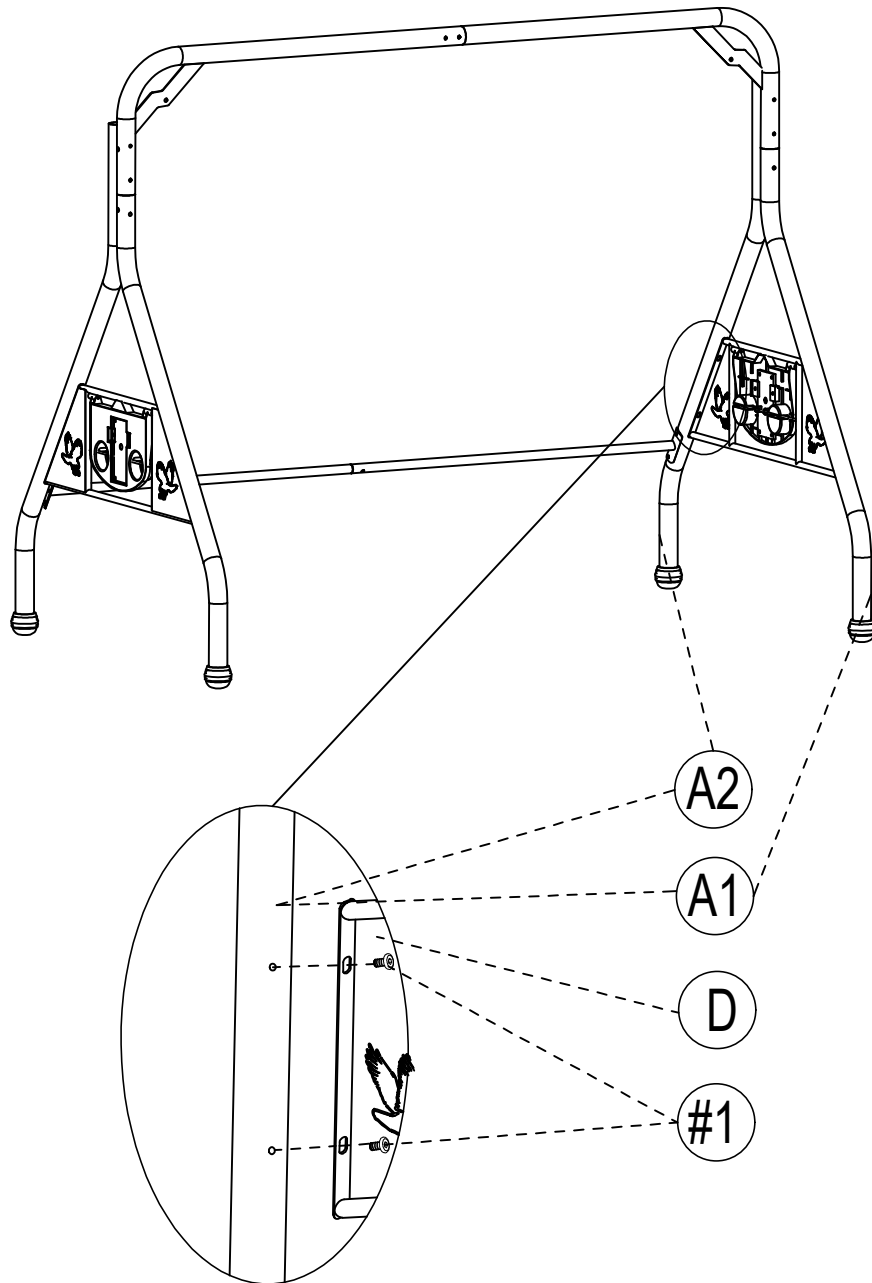


Assembly Instruction

STEP 6

D*2

#1*8



Assembly Instruction

STEP7

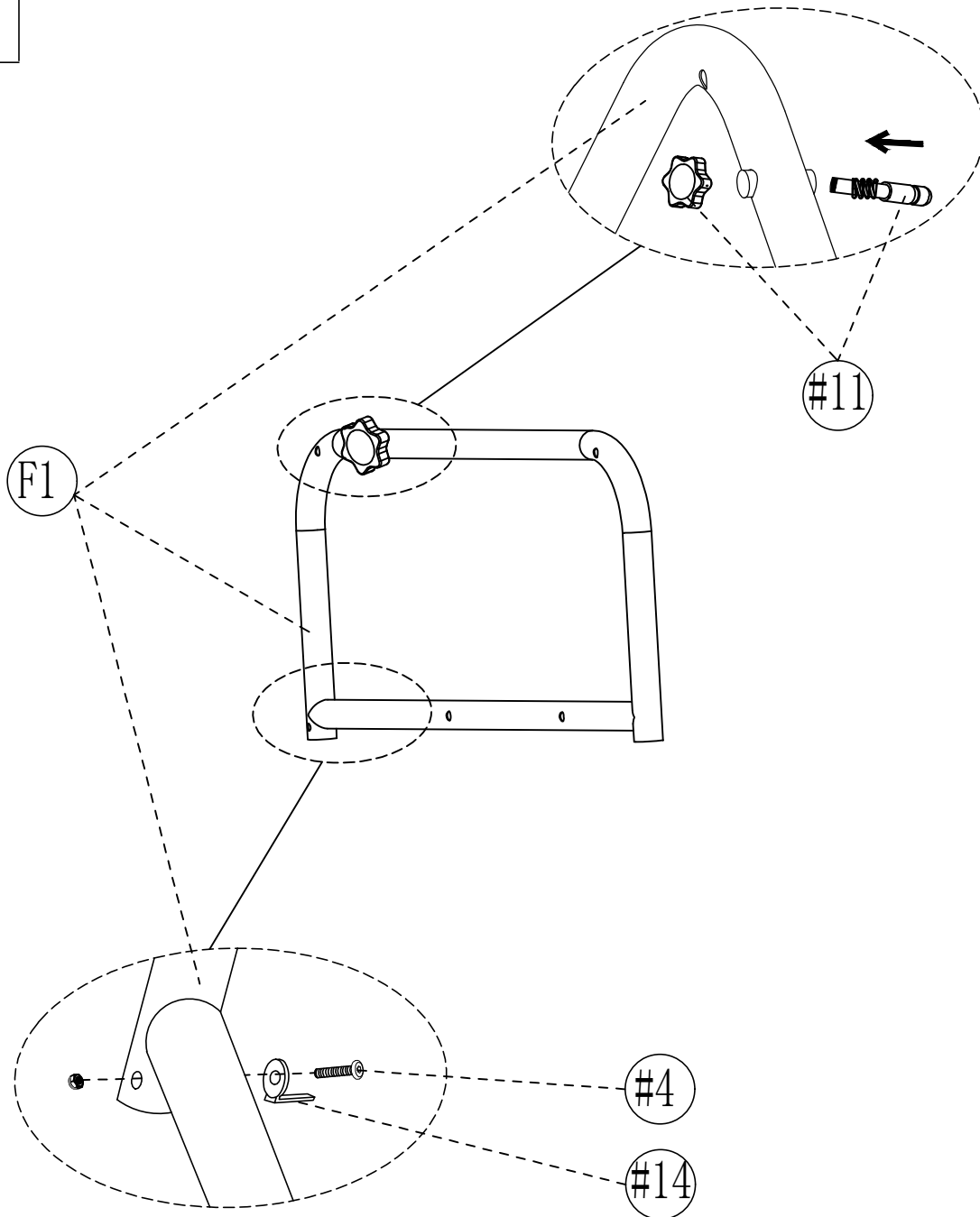
F1*1

#4*1

#11*1

#14*1

Please note: The plastic knobs of #11 is on the outside



Assembly Instruction

STEP8

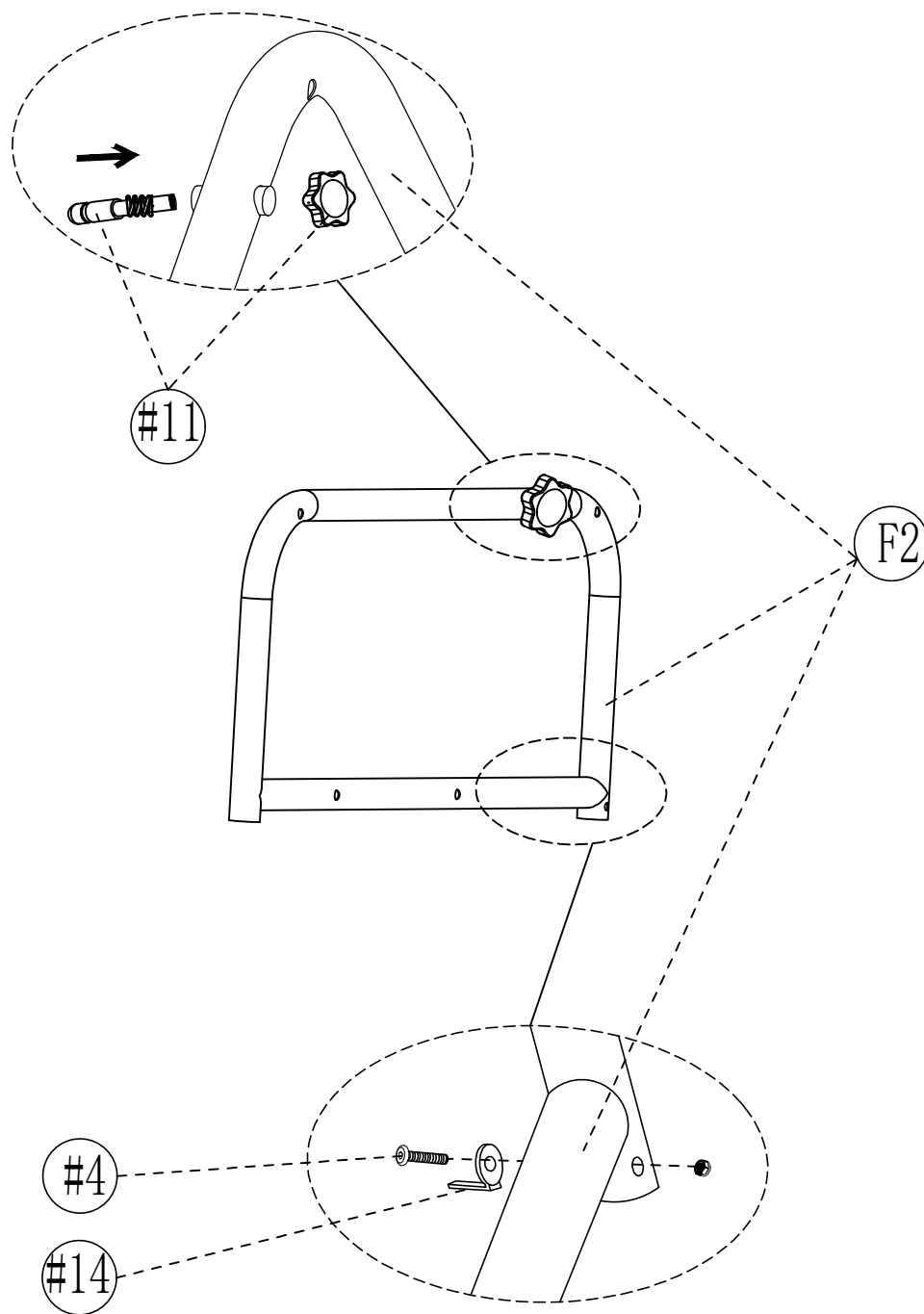
F2*1

#4*1

#11*1

#14*1

Please note: The plastic knobs of #11 is on the outside



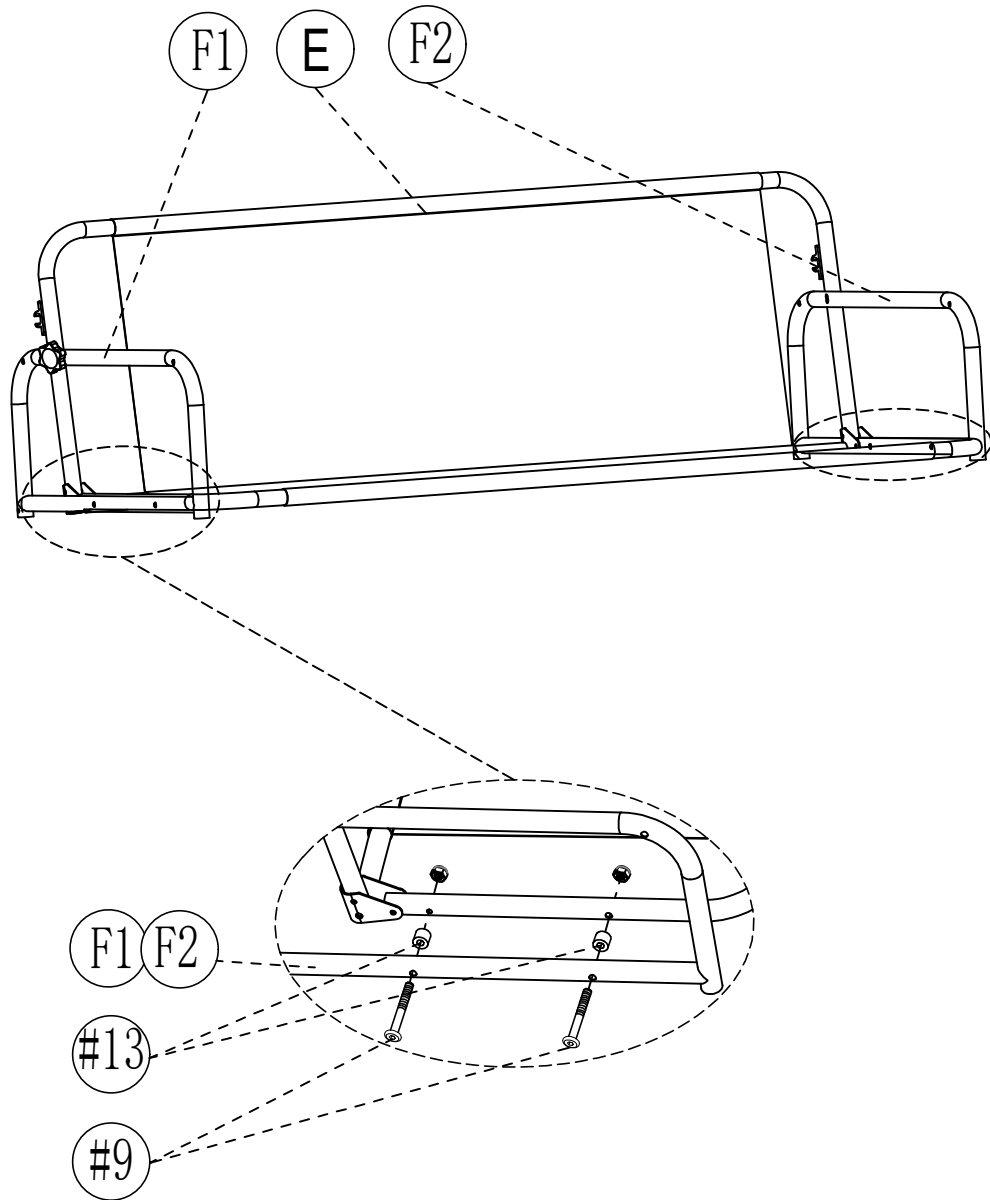
Assembly Instruction

STEP9

E*1

#9*4

#13*4



Assembly Instruction

STEP10

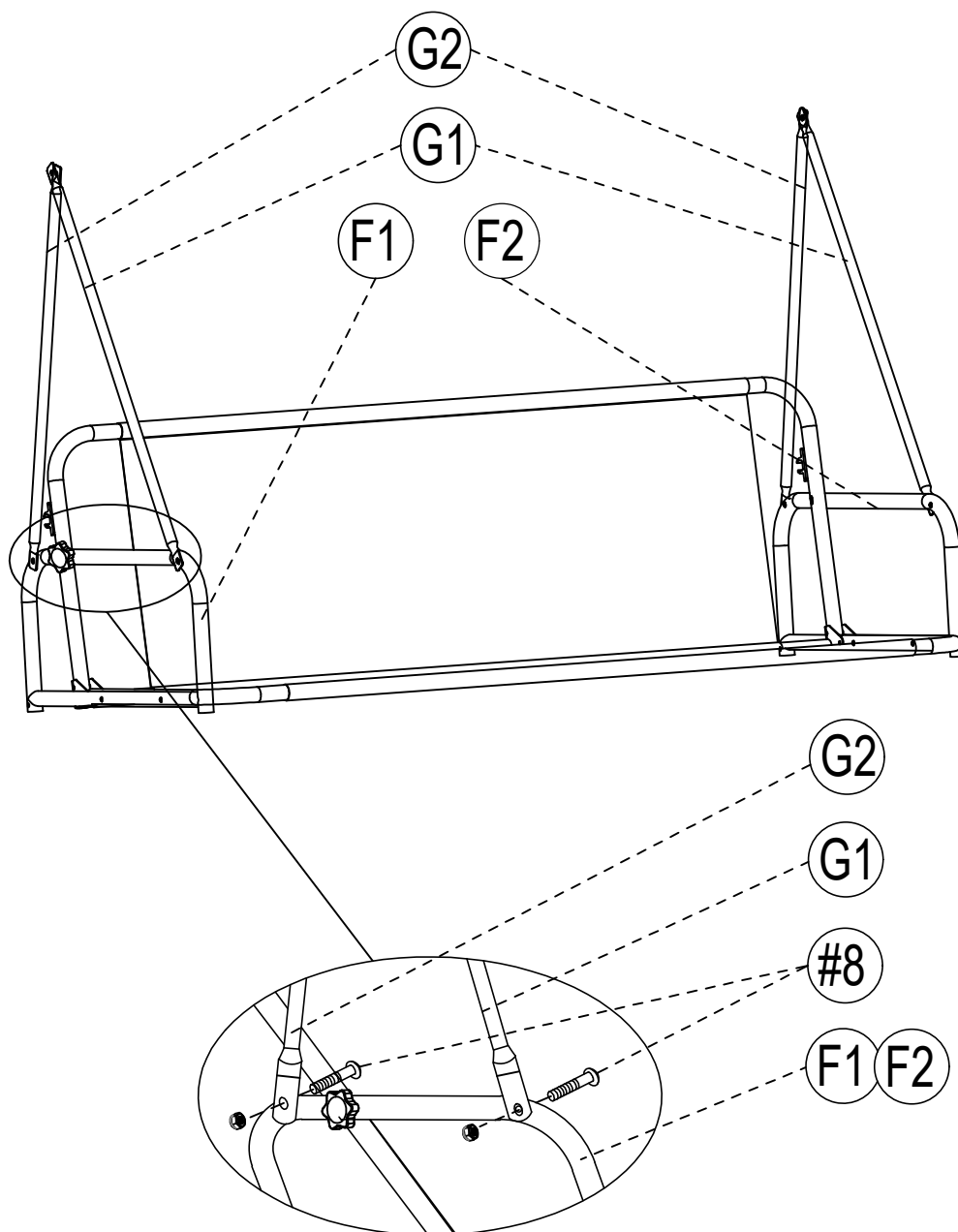
G1*2

G2*2

#8*4

PLEASE NOTICE:

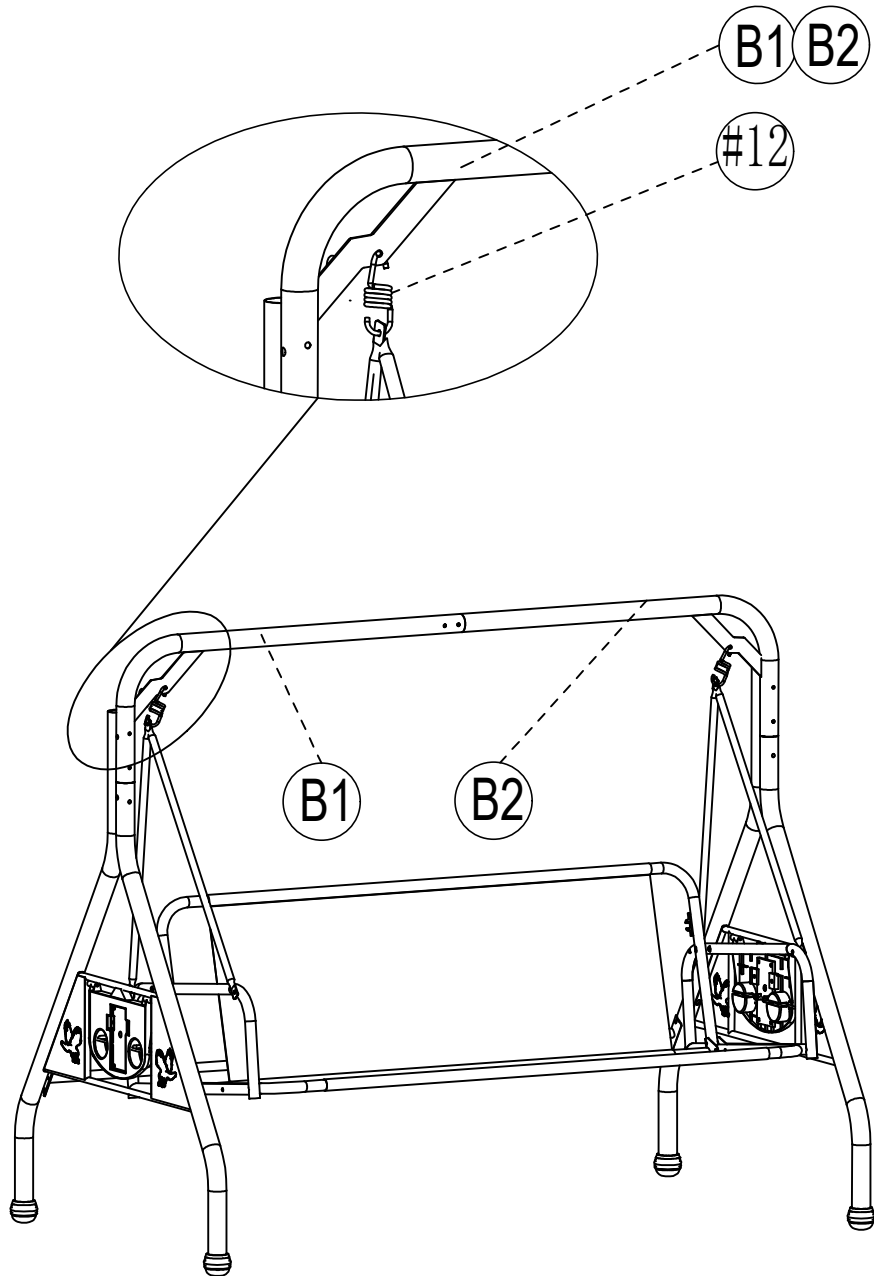
PLEASE check the correct installation of the G1 and G2 carefully, short G1 need to be installed in the front, long G2 in the back. otherwise it won't be able to swing.



Assembly Instruction

STEP11

#12*2

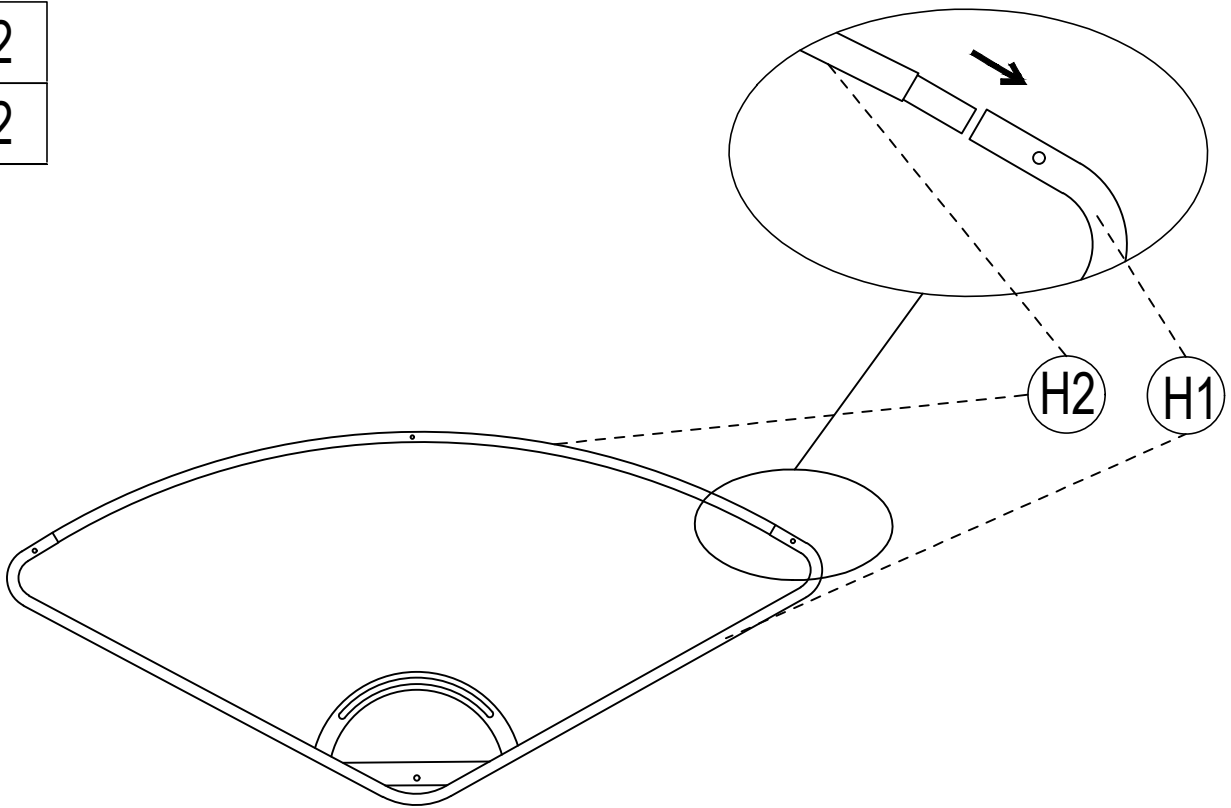


Assembly Instruction

STEP12

H1*2

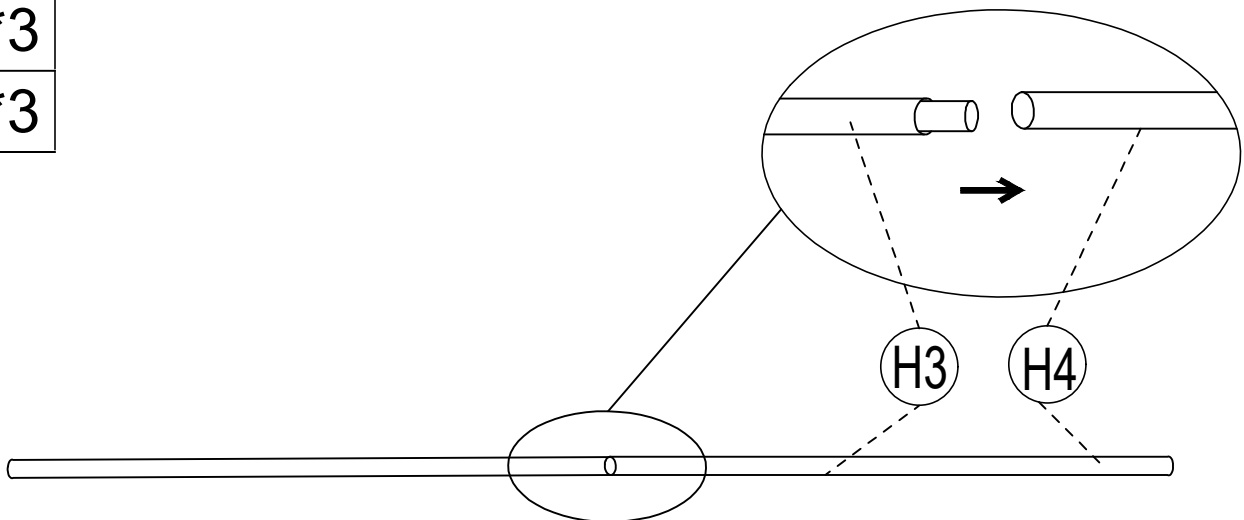
H2*2



STEP12

H3*3

H4*3



Assembly Instruction

STEP13

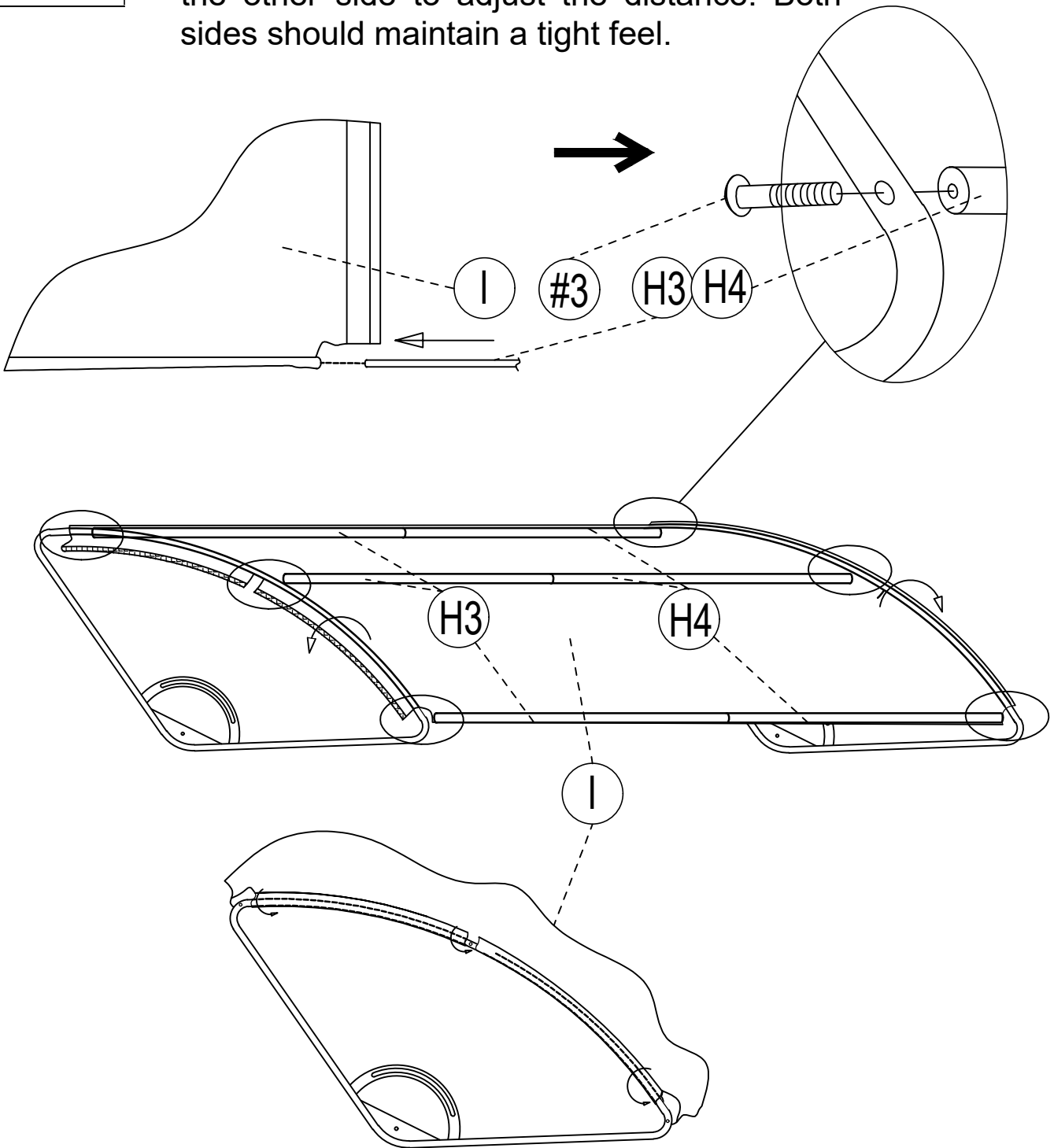


ATTENTION

#3*6

1*1

If you find that the Velcro on one side of the canopy won't snap on, loosen the Velcro on the other side to adjust the distance. Both sides should maintain a tight feel.



Assembly Instruction

STEP14

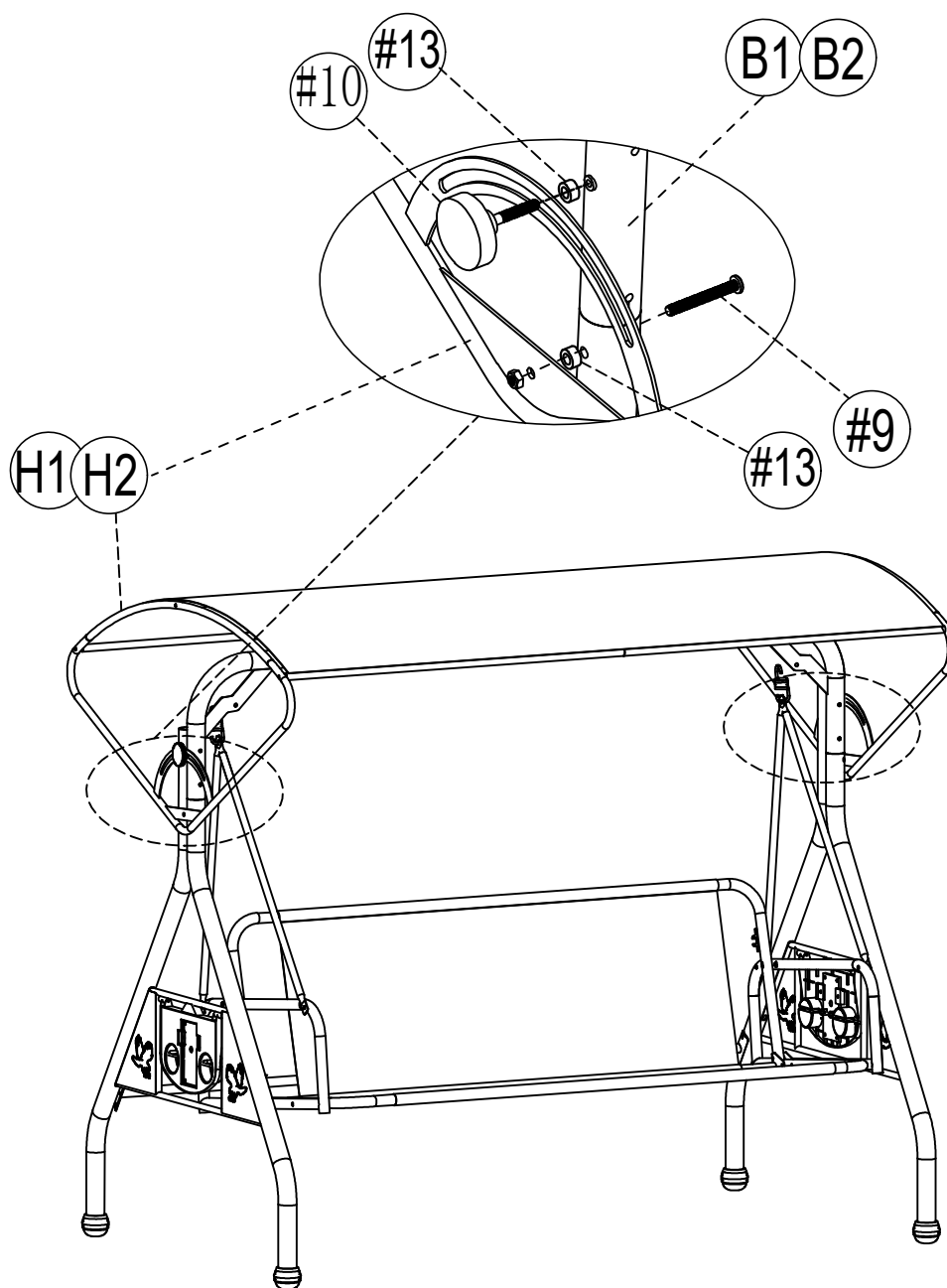
ATTENTION

#9*2

#10*2

#13*4

To adjust the angle of the canopy, please loosen the knobs on both sides, then align the gears and tighten.



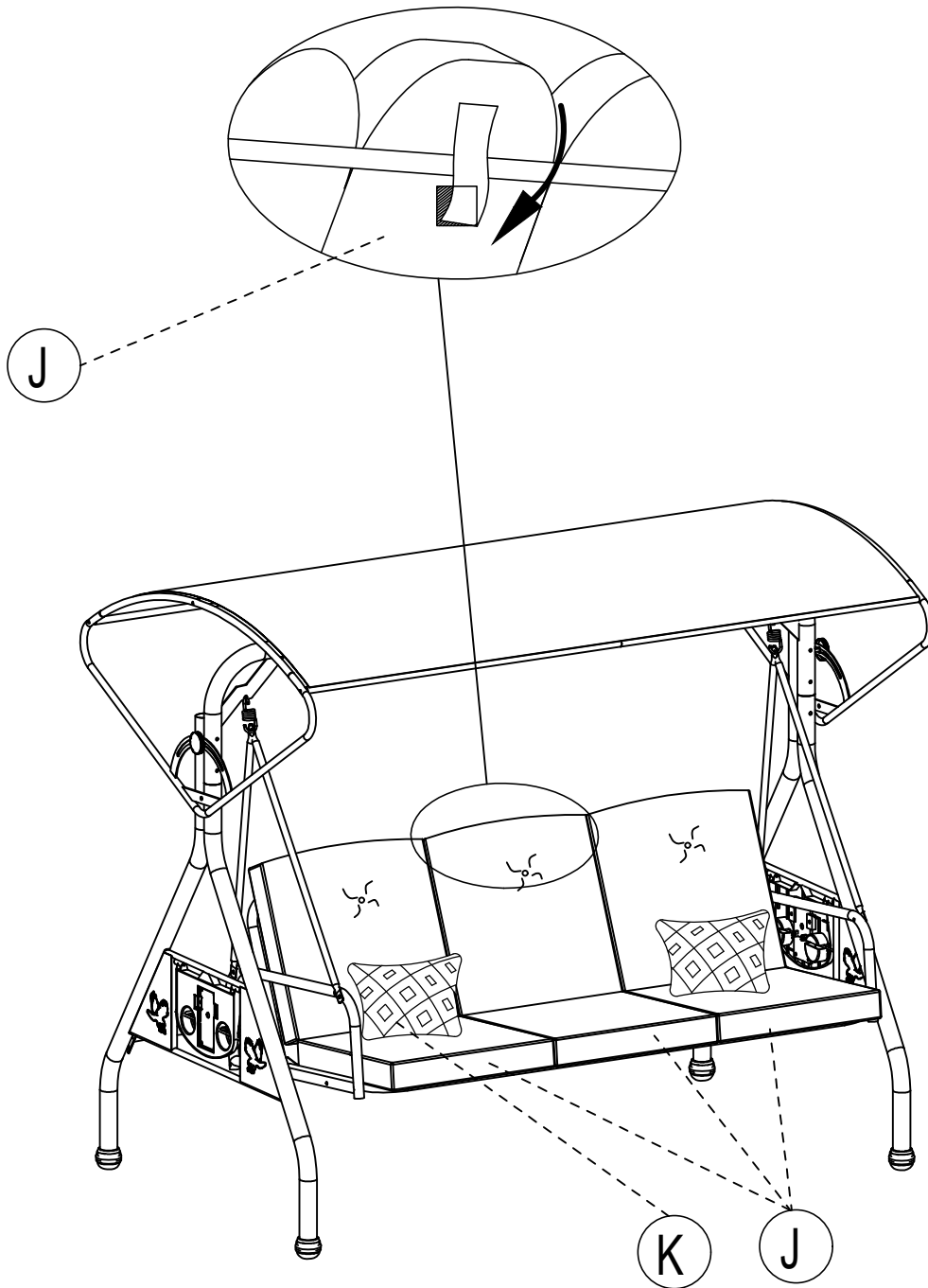
Assembly Instruction

STEP15

J*3

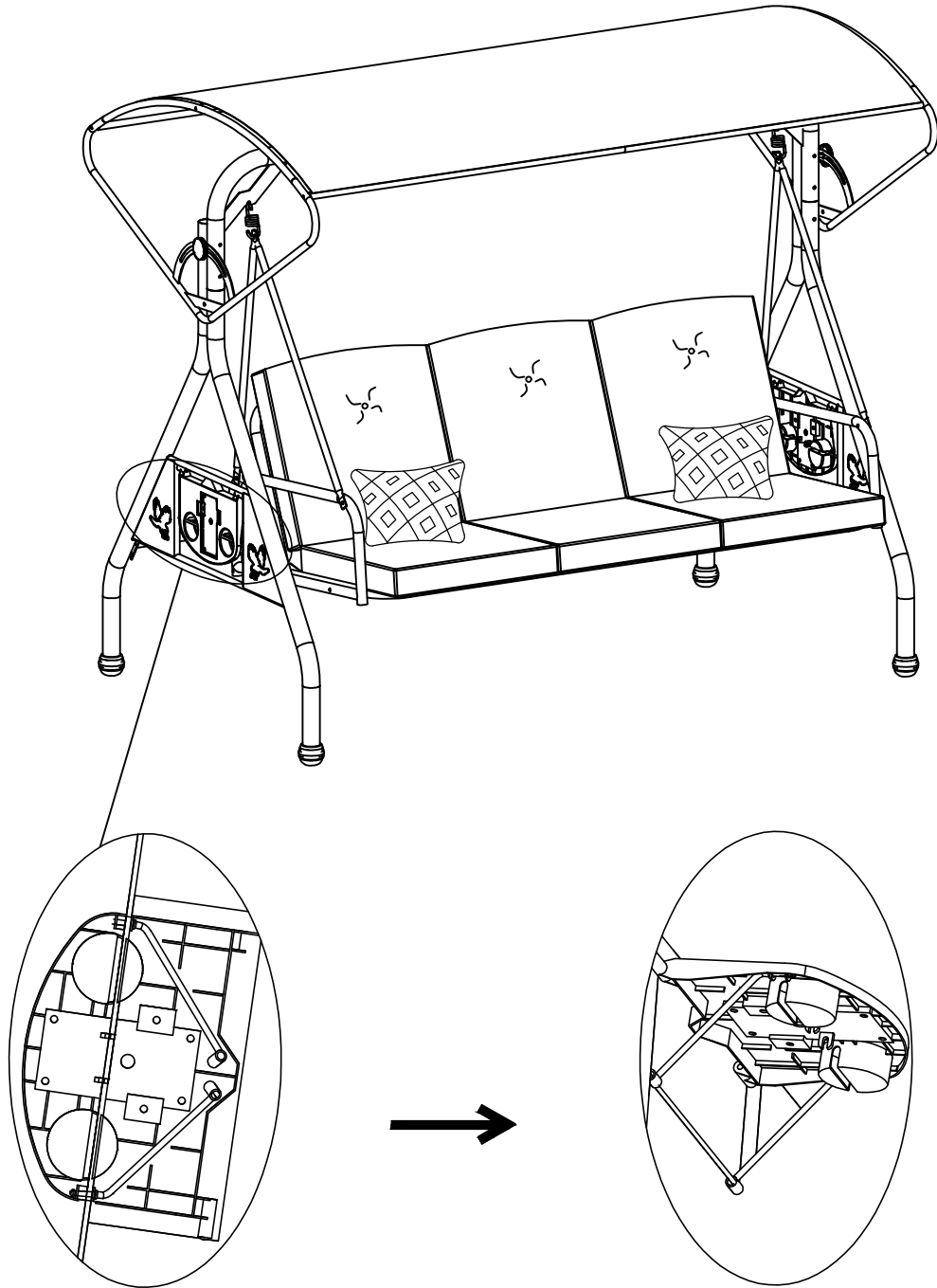
K*2

Back



Assembly Instruction

STEP 16

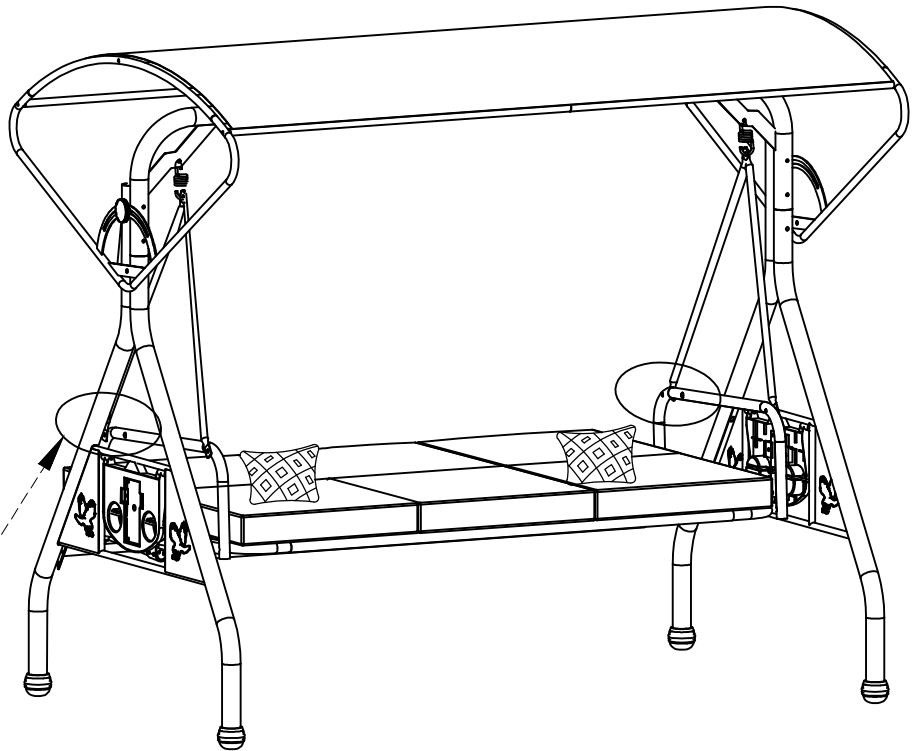


Retract bracket

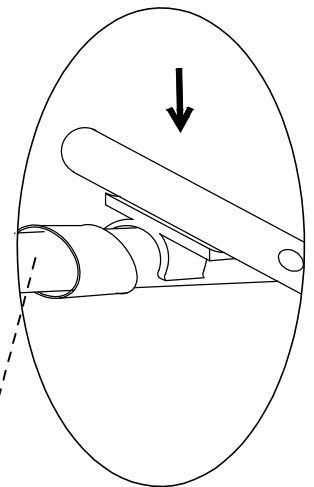
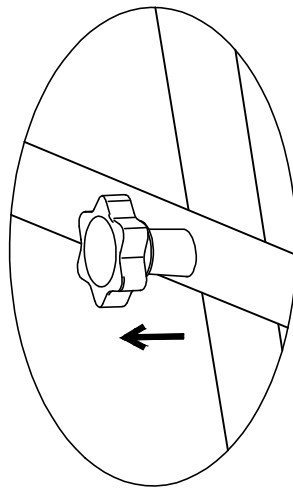
Release bracket

Assembly Instruction

STEP 17



Way to turn into a bed:
(1) Pull the knobs on both sides
(2) Fasten the plastic buckle



C1 C2

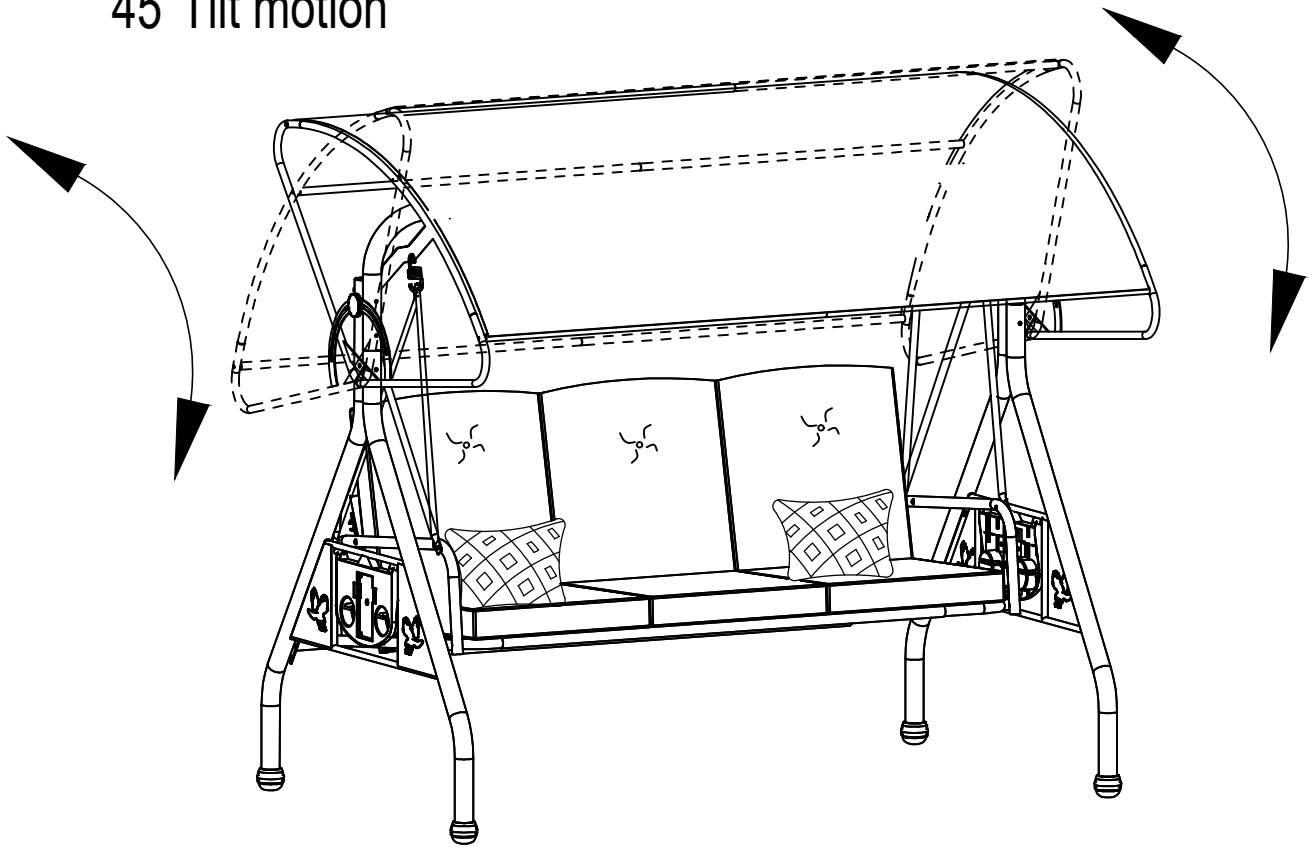
ATTENTION

1. After installation, make sure it is secure and tighten all screws to 100%.
2. Watch the knobs to avoid injury when lying down.

Assembly Instruction

STEP18

45° Tilt motion



Warning

This product must be assembled strictly in accordance with the instructions, including all components. Use the product correctly by strictly following the usage guidelines. The manufacturer assumes no liability for any potential risks, damages, or injuries resulting from failure to comply with the above requirements.

Failure to follow the above instructions may result in product damage, injury, or voiding of warranty. This swing is designed for use only with all original manufacturer-provided components, including the seat cushion and canopy. Modification, removal, or omission of required parts is strictly prohibited and may compromise safety.

Users are responsible for ensuring that all hardware and components are properly installed and maintained, including tightening screws after the first use and performing monthly checks. Always confirm the locking buckle is engaged before using the swing in bed mode.

Our company assumes no responsibility or liability for injuries, accidents, or property damage arising from improper assembly, misuse, unauthorized modifications, neglect, or failure to comply with these instructions. Warranty coverage is limited to defects in materials and workmanship under normal, intended use.