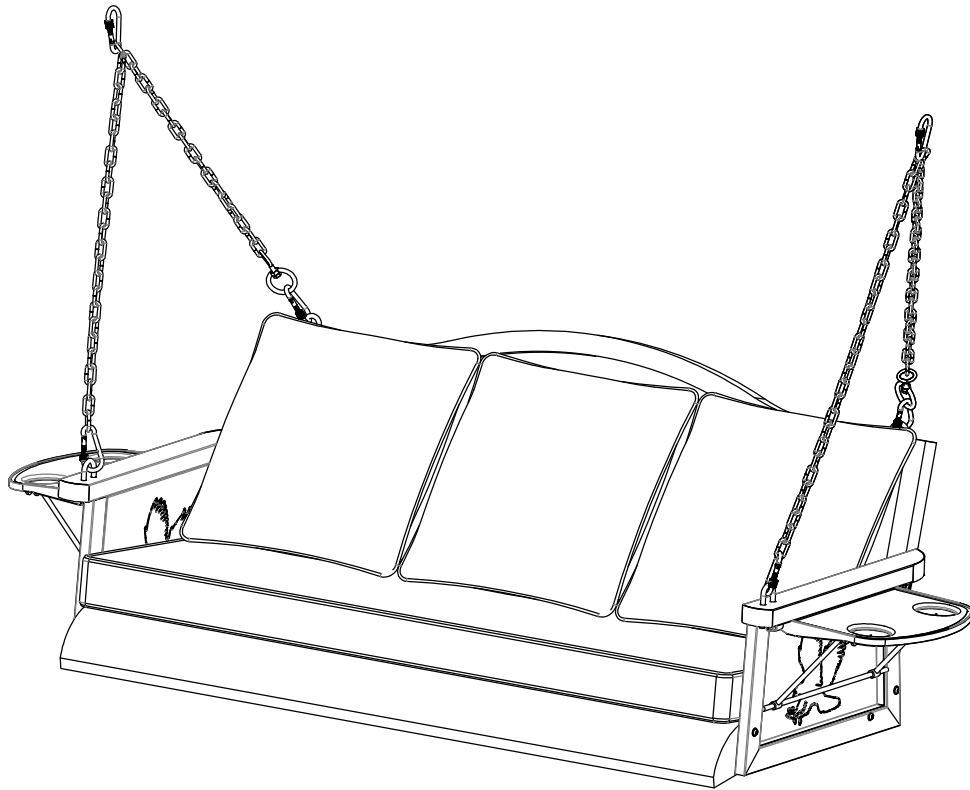


PORCH SWING

ASSEMBLY INSTRUCTION



If you have any questions, feel free to email us
at zzwservice@gmail.com

THANK YOU

Register and Get the Full Benefit

It's our way of saying thank you.

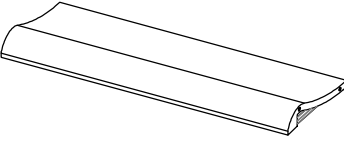
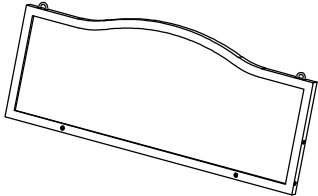
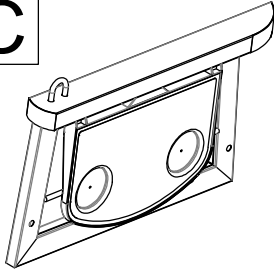
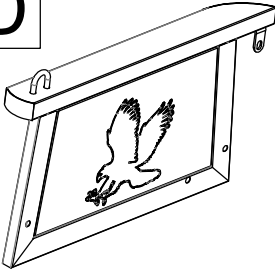
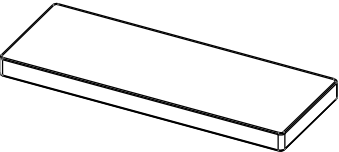
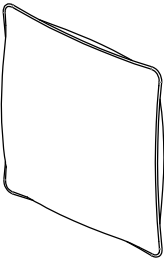
Register your product to enjoy a number of benefits:

- (1) 1-year warranty extension
- (2) 24/7 quicker service and product support
- (3) Chance to test new products for free
- (4) Get specific discount on shop items

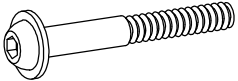
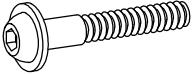
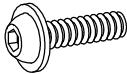
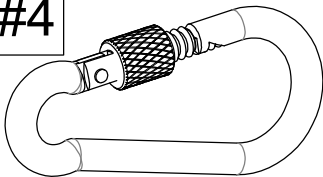
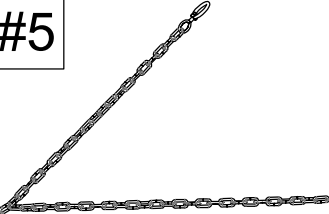

Register Way: Send " your name + order ID " to zzwservice@gmail.com

Assembly Instruction

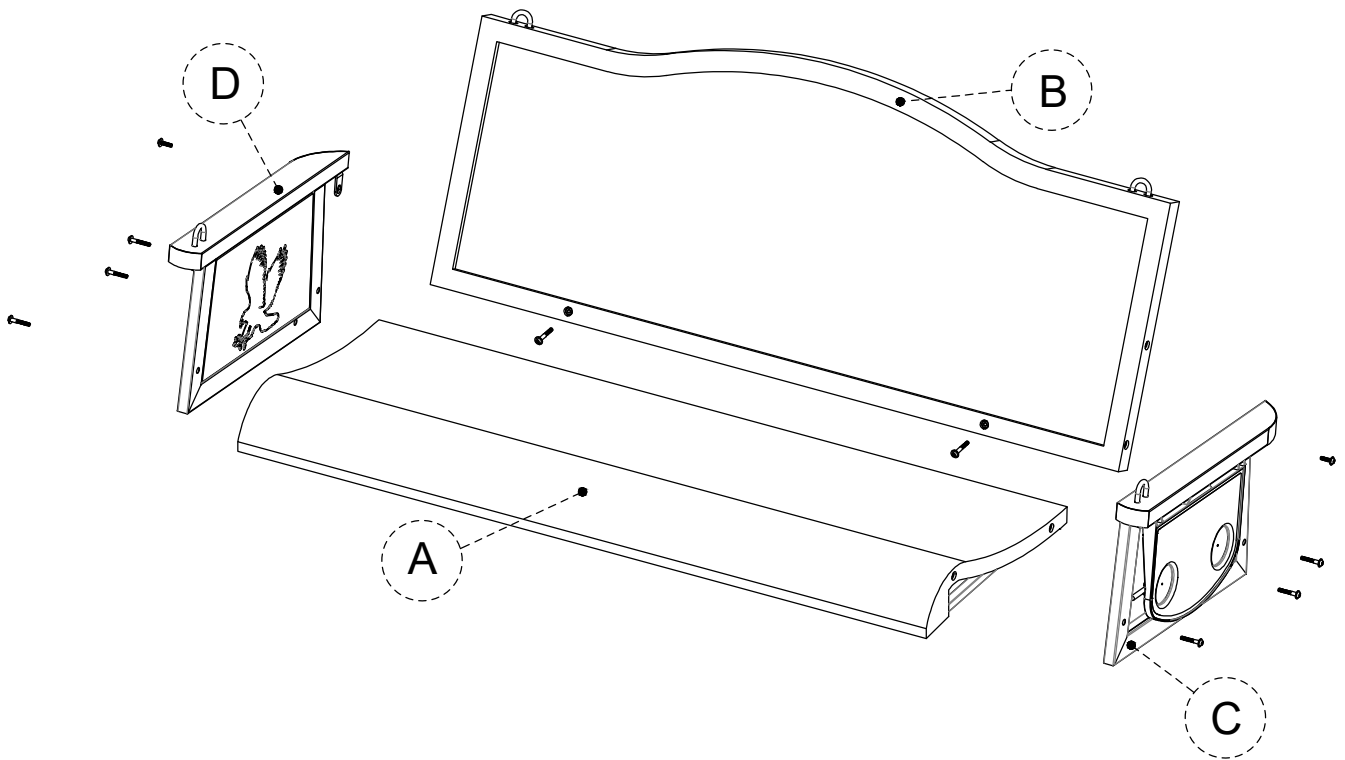
Parts List

<p>A</p>  <p>Seat panel</p>	<p>B</p>  <p>Back panel</p>	<p>C</p>  <p>Left armrest</p>	<p>D</p>  <p>Right armrest</p>
<p>1 PC</p>	<p>1 PC</p>	<p>1 PC</p>	<p>1 PC</p>
<p>E</p>  <p>Seat cushion</p>	<p>F</p>  <p>Back cushion</p>		
<p>1 PC</p>	<p>3 PCS</p>		

Hardwares List

<p>#1</p>  <p>Screw M6*45 (mm)</p>	<p>#2</p>  <p>Screw M6*35 (mm)</p>	<p>#3</p>  <p>Screw M6*20 (mm)</p>	<p>#4</p>  <p>Big nut safety clasp</p>
<p>2 PCS</p>	<p>6 PCS</p>	<p>2 PCS</p>	<p>6 PCS</p>
<p>#5</p>  <p>2 PCS</p>	<p>#6</p>  <p>Allen key 4# (mm)</p>		
<p>2 PCS</p>	<p>1 PC</p>		

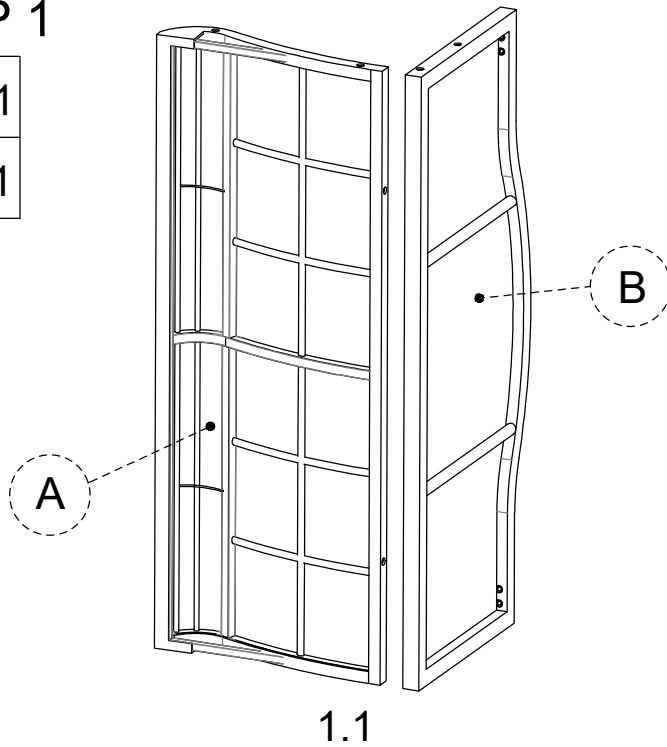
Assembly Instruction - Porch swing



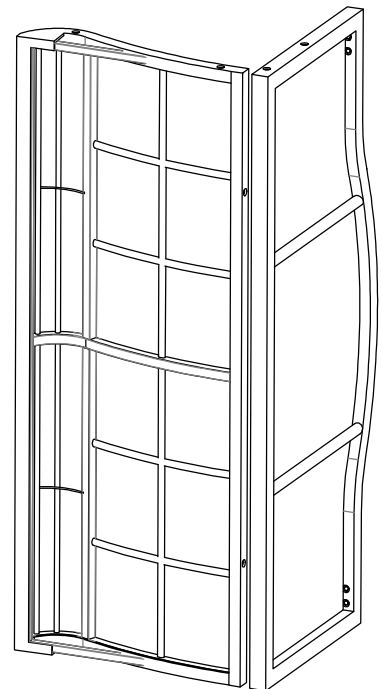
STEP 1

A x1

B x1



1.1



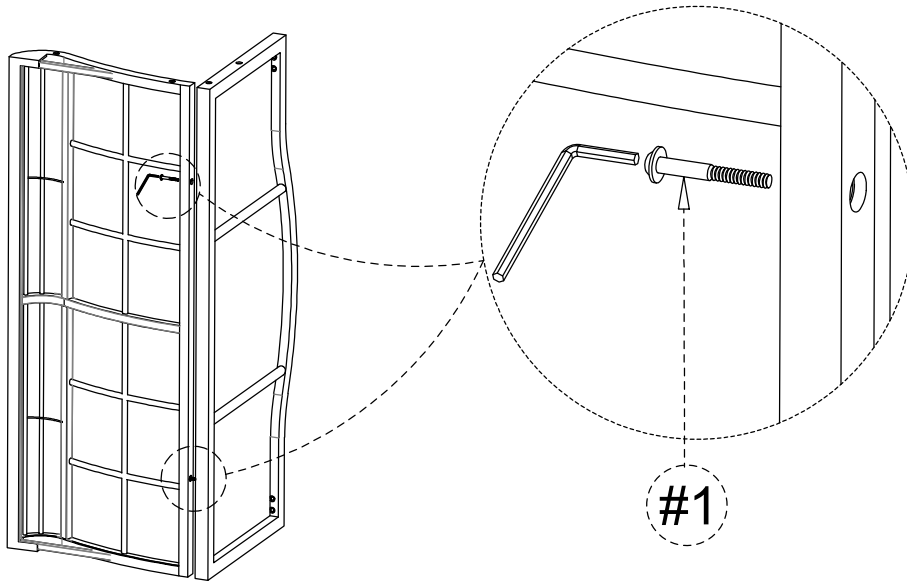
1.2

Place A and B as shown in the figure;

Assembly Instruction - Porch swing

STEP 2

#1 x2

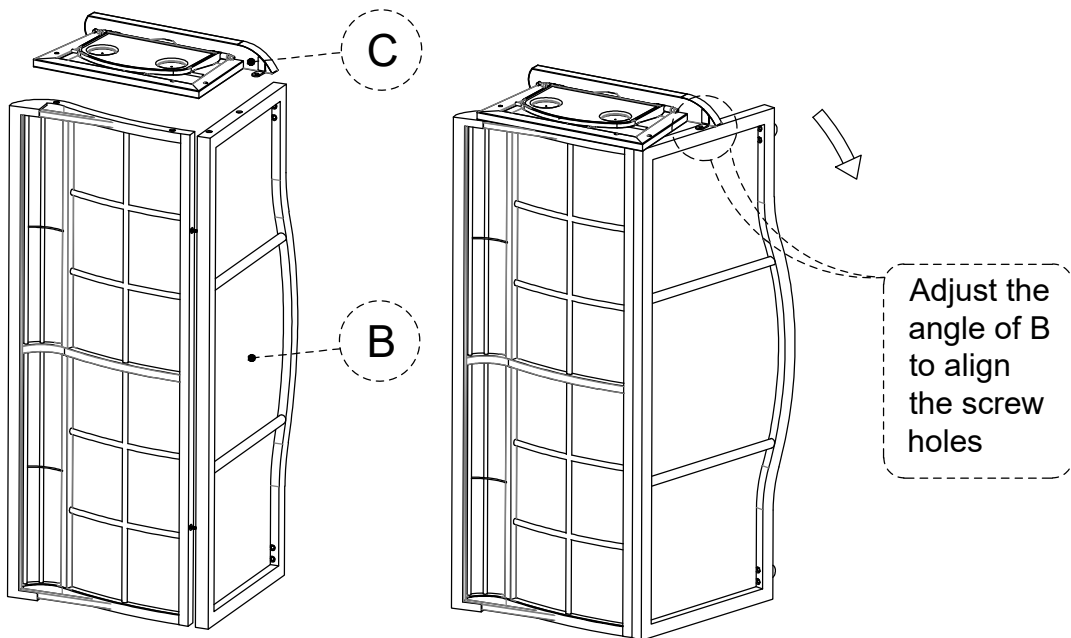


NOTE Do not tighten the screws completely. If fully tightened, it may cause difficulty in installing the step 3 of handrail assembly.

Assemble B with A using screw #1;

STEP 3

C x1



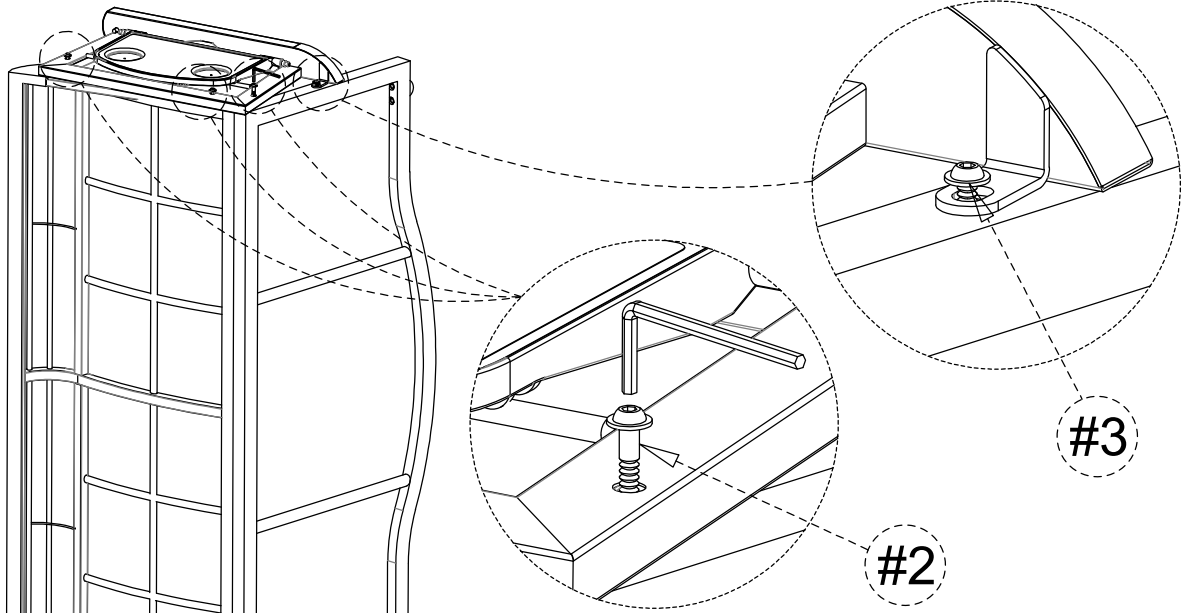
Place C as shown in the figure;

Assembly Instruction - Porch swing

STEP 4

#2 x3

#3 x1

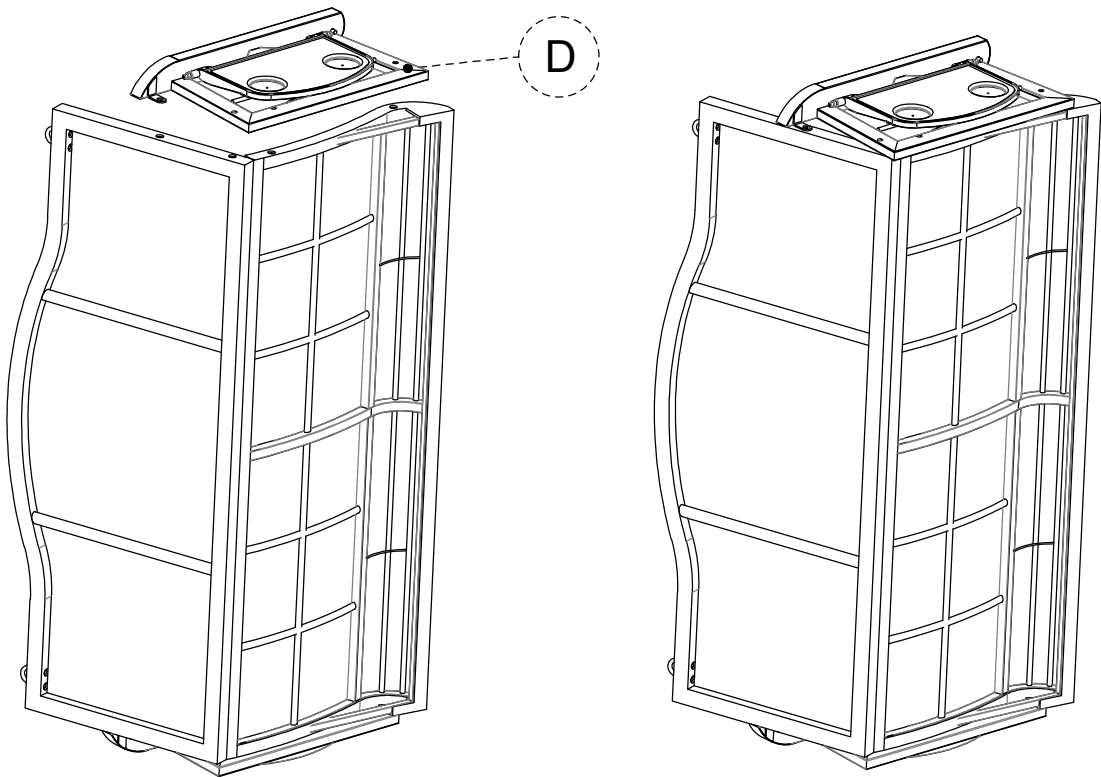


DO NOT tighten screws completely until assembly is completed;

Assemble C with A and B using screw #2, screw #3;

STEP 5

C x1



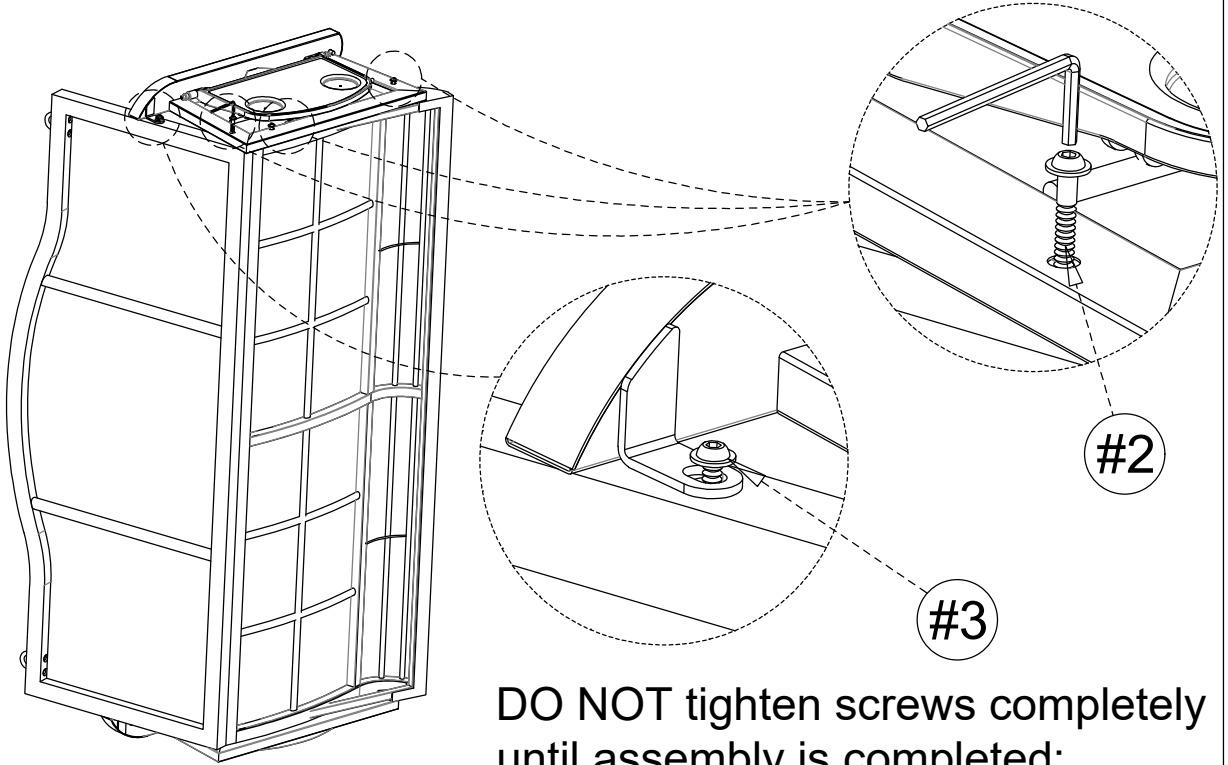
Place D on A and B;

Assembly Instruction - Porch swing

STEP 6

#2 x3

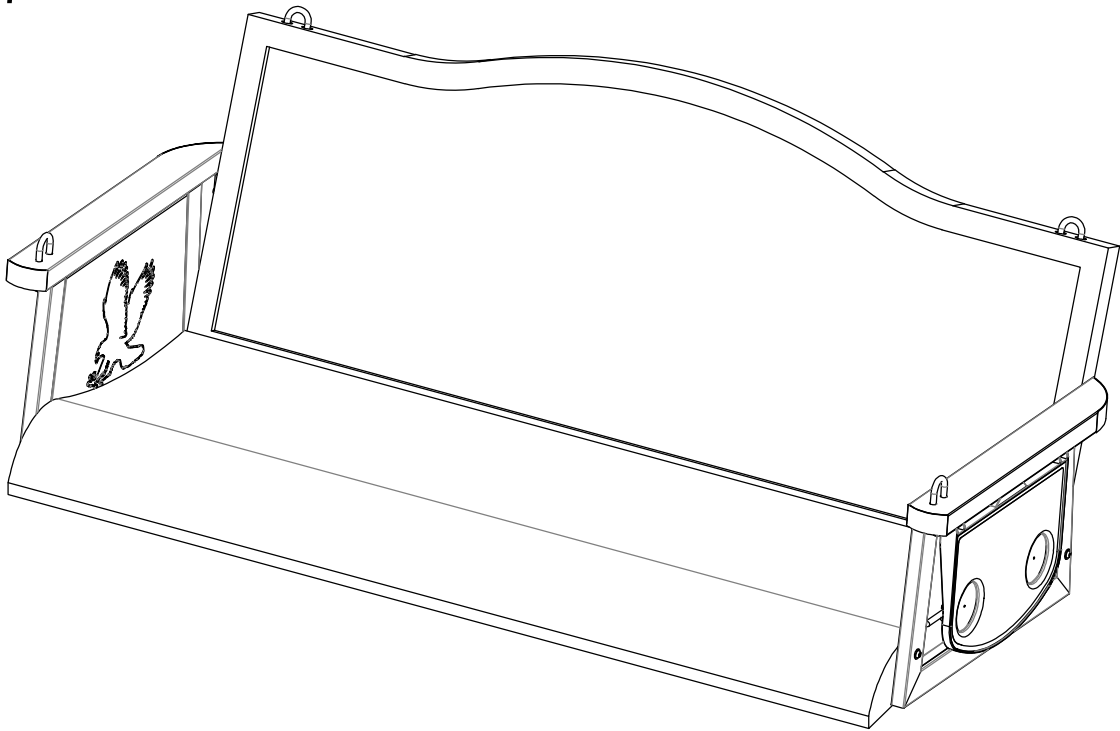
#3 x1



DO NOT tighten screws completely until assembly is completed;

Assemble D with A and B using screw #2, screw #3;

STEP 7



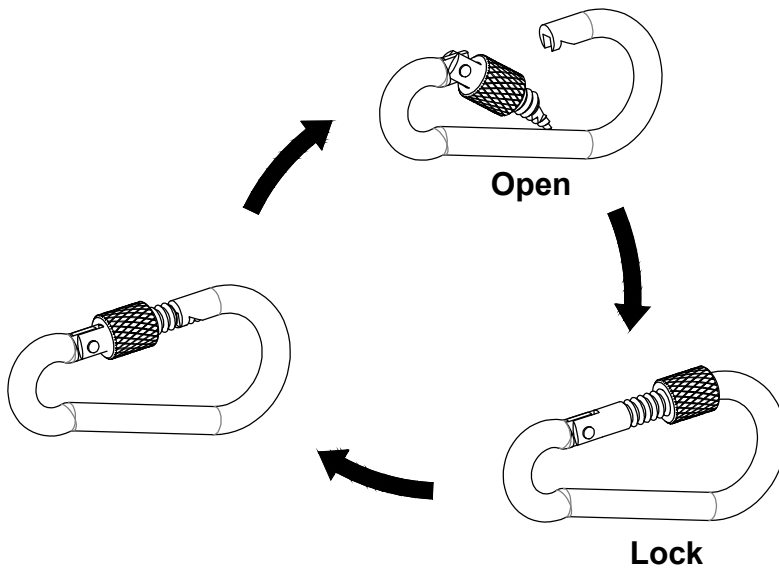
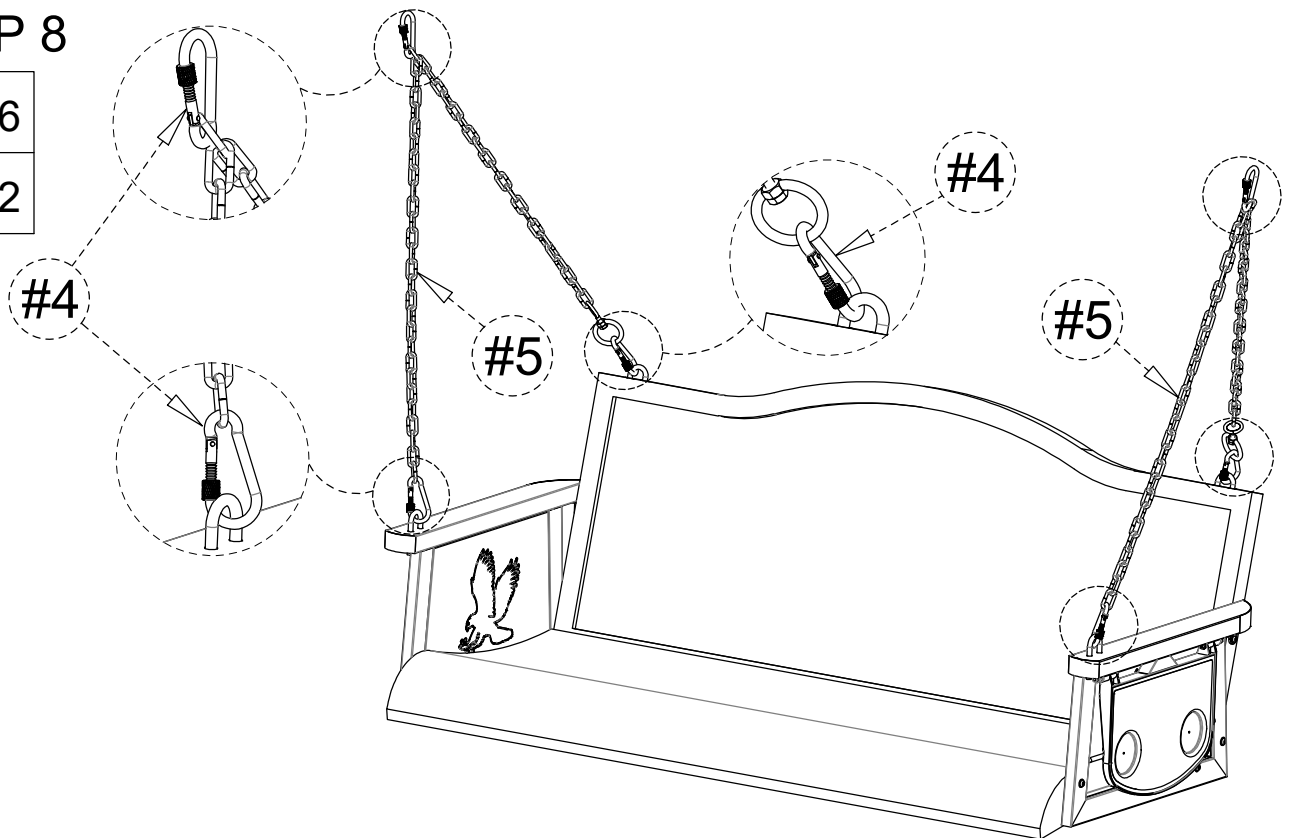
Tighten all the screws completely;

Assembly Instruction - Porch swing

STEP 8

#4 x6

#5 x2



The nut safety buckles must be locked;
Regularly inspect the chain and the suspension
as a whole for safety hazards.

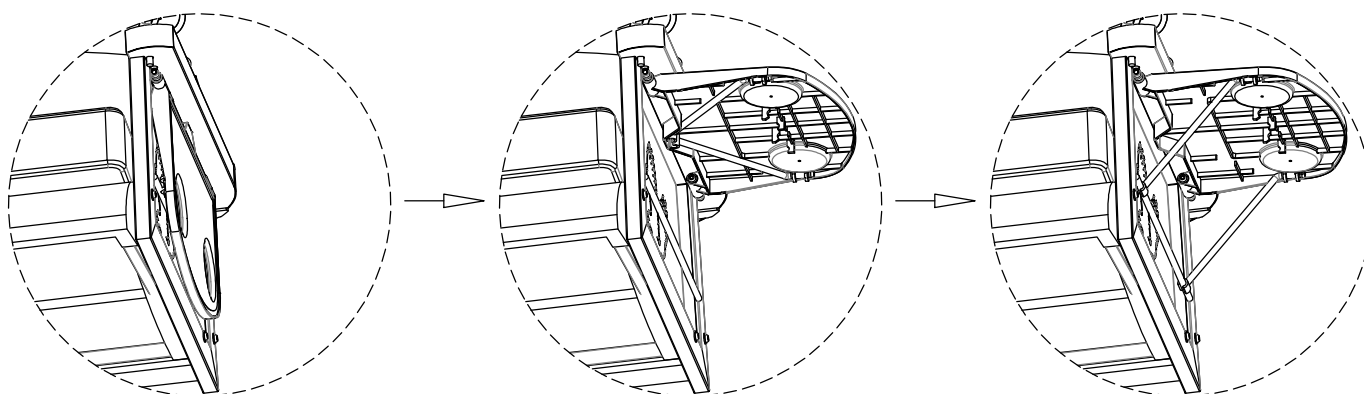
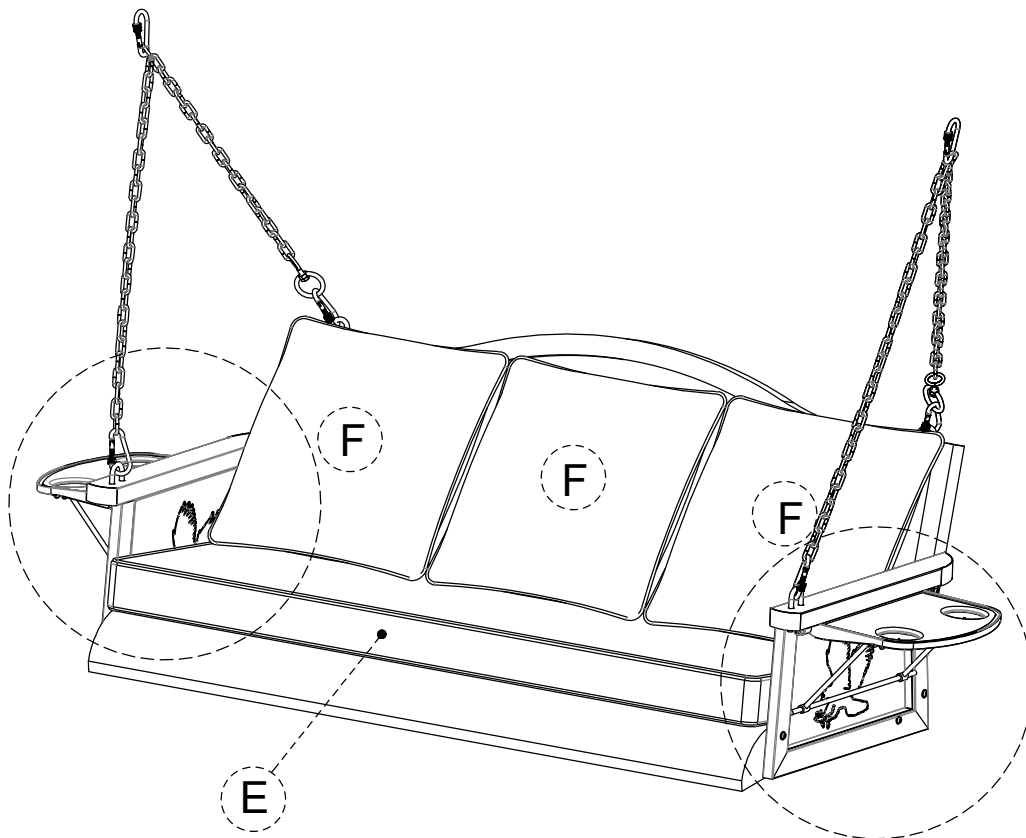
Suspend the swing chair with chains where needed as shown;
Adjust the length of the chain suspension as needed to adjust the tilt angle of the swing chair;

Assembly Instruction - Porch swing

STEP 9

E x1

F x3



The plastic tea table can be unfolded and retracted.

Place E and F as shown in the figure;