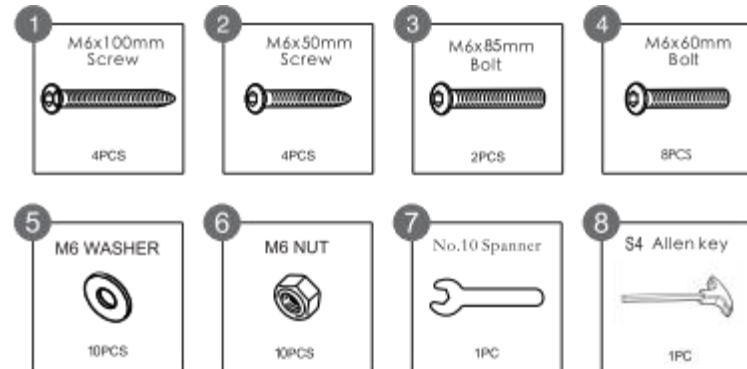


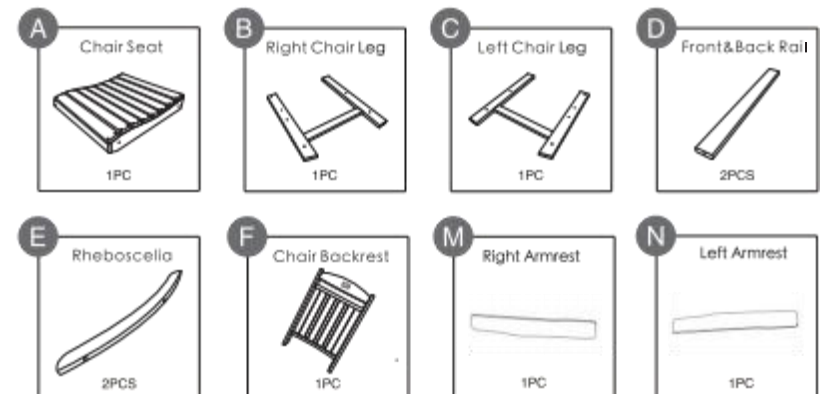
USE & CARE



Hardware List



Parts List

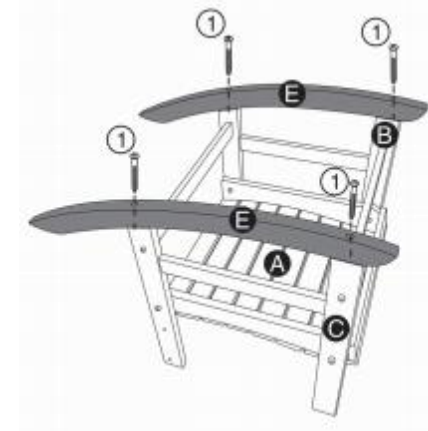
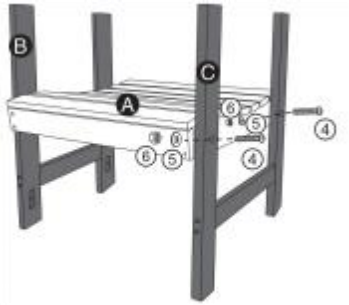


Note:

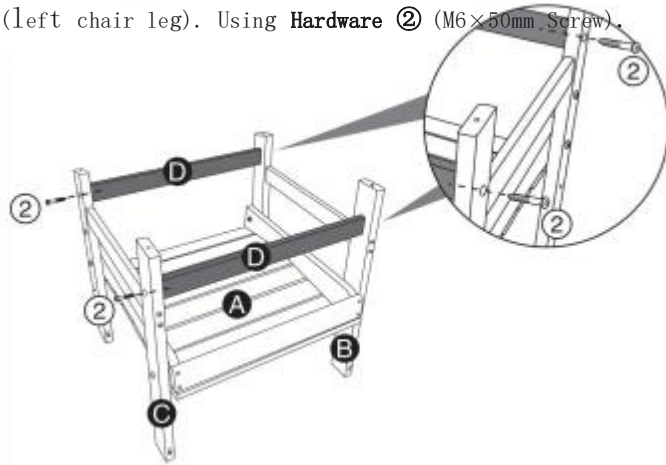
- DO not use electric screwdriver.
- TWO People are required to assemble this item. Assemble the item on a flat solid and even surface.
- Make sure that all the necessary parts are in the carton before starting the assembly.
- please secure all parts and bolts loosely, only when the frame is complete should you fully tighten the screws.
- If any instability occurs, loosen the screws, re-align the components as necessary and re-tighten the screws evenly.
- This item is not a climbing frame or toy.
- Danger of suffocation. keep out of reach of children.

Assembly

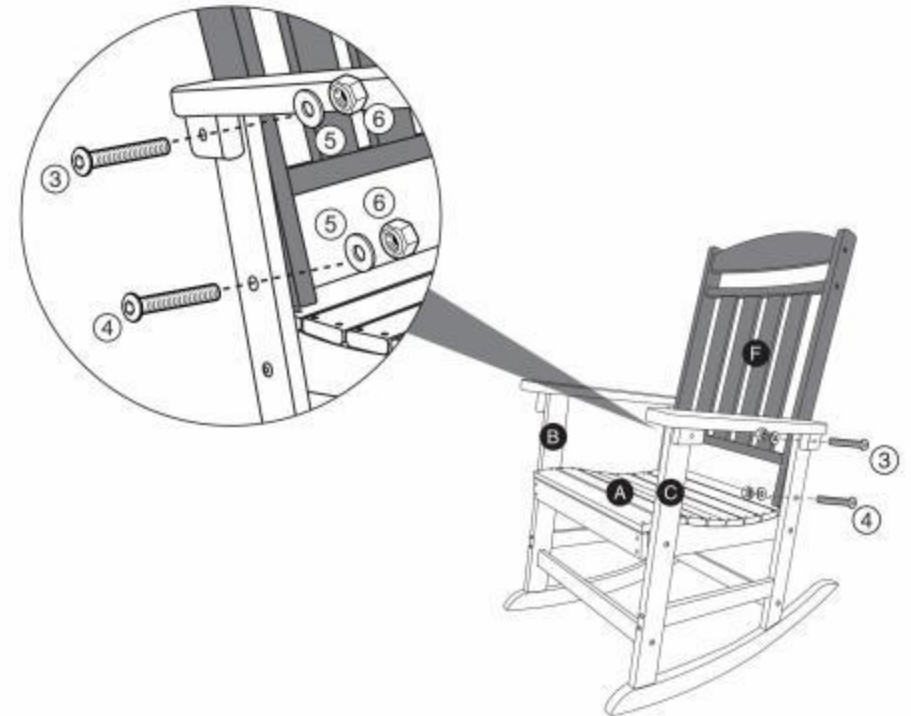
Step 1: Attach **Part B** (Right chair leg) to **Part A** (Chair Seat), Repeat **Part C** (left chair leg) operation on the other side. Using **Hardware ④** (M6*60mm Bolt), **Hardware ⑤** (M6 Washer) and **Hardware ⑥** (M6 Nut).



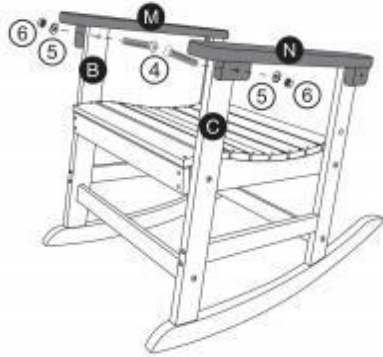
Step 2: Connect **Part D** (Front&back rail) to **Part B** (Right chair leg) and **Part C** (left chair leg). Using **Hardware ②** (M6×50mm Screw).



Step 3: Put **Part F** (Backrest) onto the chair legs and secure with **Hardware ③** (M6×100mm Screw).



Step4:Secure **Part M**(Right Armrest) to **Part B**(Right Chair Leg).
Secure **Part N** (Left Armrest) to **Part C** (Left Chair Leg). Using **Hardware④**
(M6×60mm Bolt) 、 **Hardware ⑤** (M6 Washer) and **Hardware ④** (M6 Nut).



Step5: Insert **Part F**(chair backrest) into chair arm, using **Hardware③**(M6×85mm Bolt) 、
Hardware④(M6×60mm Bolt) 、 **Hardware ⑤**(M6 Washer)and **Hardware ⑥**(M6 Nut).After this
step,please fully tighten all bolts if you check all the parts are positioned.
Assembly is complete.

ASSEMBLY INSTRUCTIONS



Note:

1. Do not use electric screwdriver.
2. Required to assemble this item. Assemble the item on a flat, solid and even surface.
3. Make sure that all the necessary parts are in the box before starting the assembly.
4. Please secure all parts and bolts loosely, only when the frame is complete should you fully tighten the screws.
5. If any instability occurs, loosen the screws, re-align the components as necessary and re-tighten the screws.
6. This item is not a climbing frame or toy.
7. Danger of suffocation. Keep out of reach of children.

Before beginning assembly of product, make sure all parts are present.

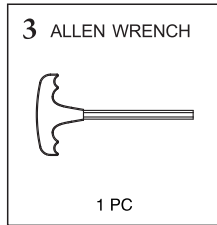
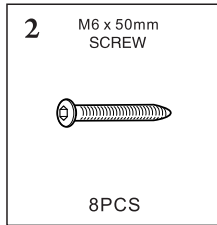
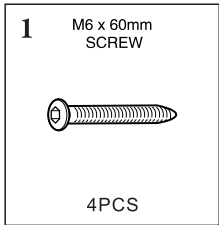
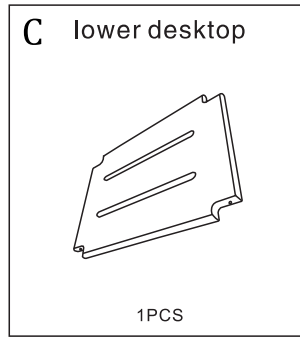
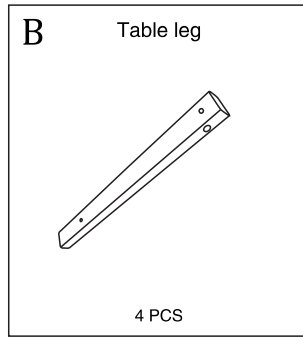
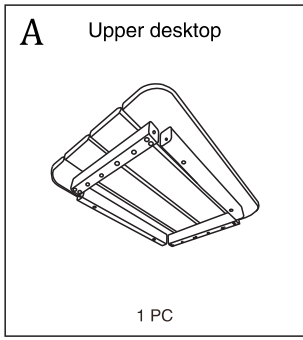
Compare parts with package content list.

If any part is missing or damaged, do not attempt to assemble the unit. Contact customer service for replacement parts.

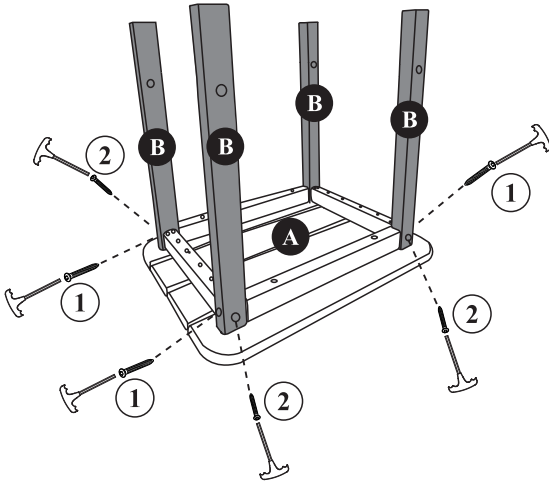
Customer service :

Contact our professional customer support at
mwoutdoors@outlook.com

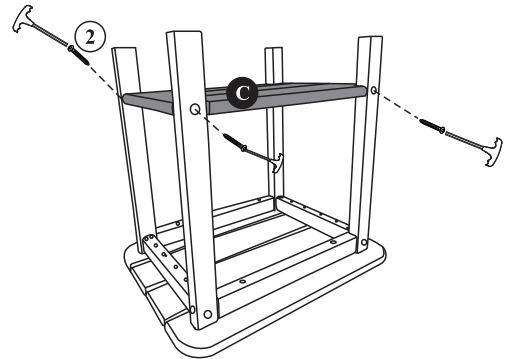
Assembly Instruction



1 Use hardware ① (M6 * 60mm Screw) and hardware ② (M6 * 50mm Screw) to fix part **B** (leg) onto part **A** (desktop).



2 Use hardware ① (M6*50mm Screw) to fix part **C** part **B** as shown in the figure



3 Tighten all the screws and the assembly is finished!

