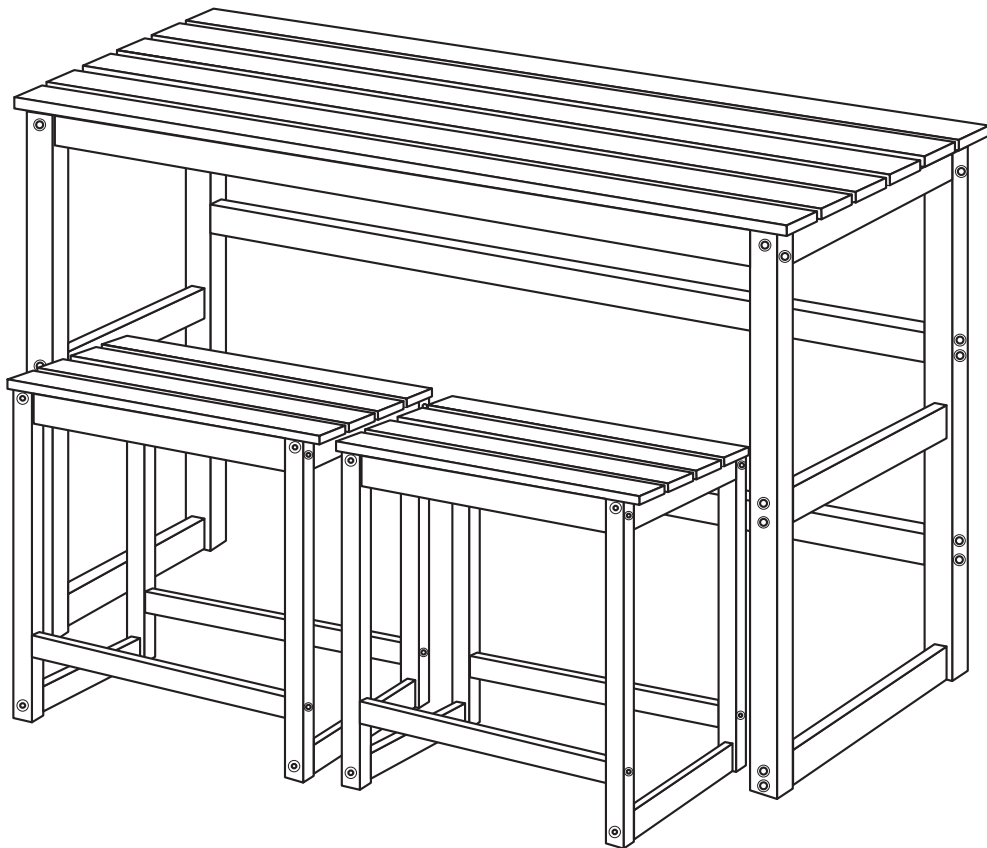


CARE INSTRUCTIONS

Thank you for choosing northbeam™ HDPE 3PC HIGH DINING SET.
With a little care and maintenance, the northbeam™ HDPE 3PC HIGH DINING SET will provide you with comfort and enjoyment for many years to come!



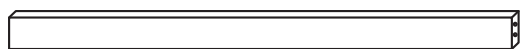
NOTE: Please read all instructions carefully before starting assembly.
Also, we recommend that the unit is fully assembled on a level surface.
Two people are recommended to assemble this product.
DO NOT over torque screws and bolts.



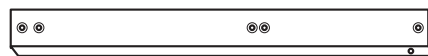
1 Tabletop X **1PC**



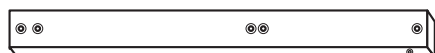
2 Short Stretcher Between Table Legs X **4PCS**



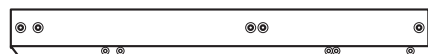
3 Long Stretcher Between Table Legs X **2PCS**



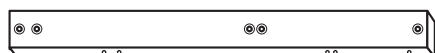
4 Front-left table leg X **1PC**



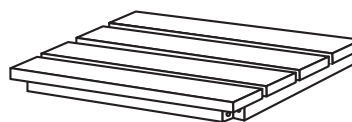
5 Front-right table leg X **1PC**



6 Back-left table leg X **1PC**

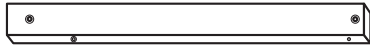


7 Back-right table leg X **1PC**

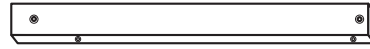


8 Stool seat X **1PCS**

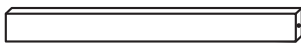
NOTE: Please read all instructions carefully before starting assembly. Also, we recommend that the unit is fully assembled on a level surface. Two people are recommended to assemble this product. DO NOT over torque screws and bolts.



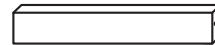
9 Stool leg 1 X **2PCS**









10 Stool leg 2 X **2PC**



11 Long crossbar between stool legs X **2PC**

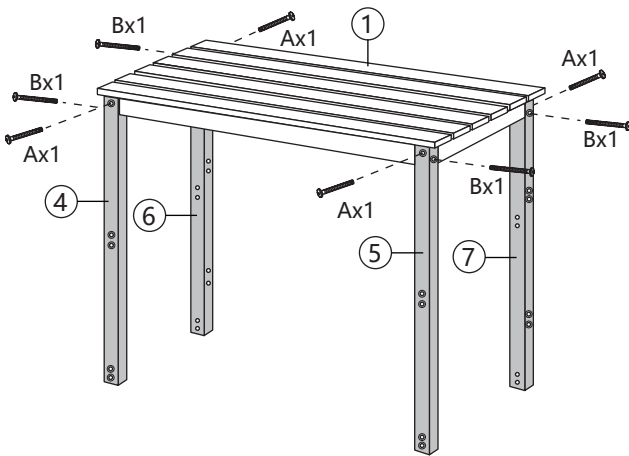


12 Short crossbar between stool legs X**2PC**

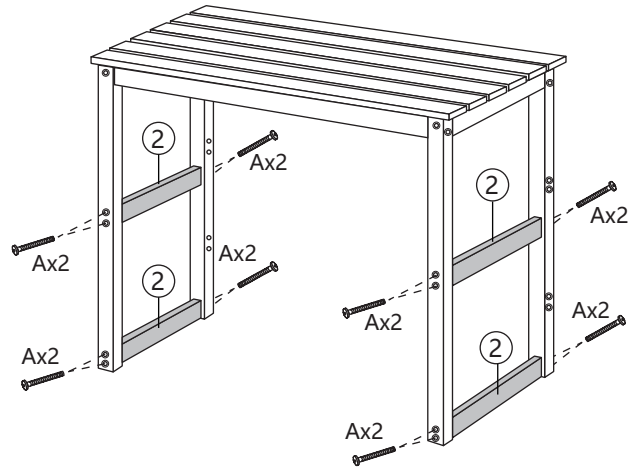
- A  M6X60  **36+1PCS**
- B  M6X70  **28+2PCS**
- C   **1PCS**

NOTE: Please read all instructions carefully before starting assembly.
 Also, we recommend that the unit is fully assembled on a level surface.
 Two people are recommended to assemble this product.
 DO NOT over torque screws and bolts.

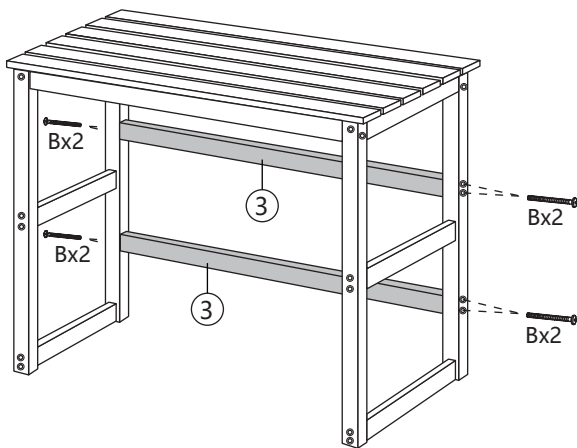
1



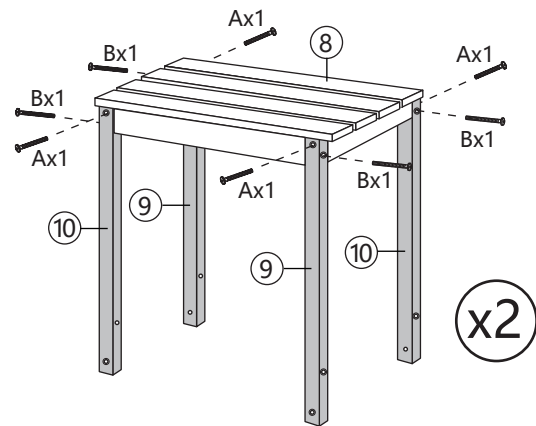
2



3

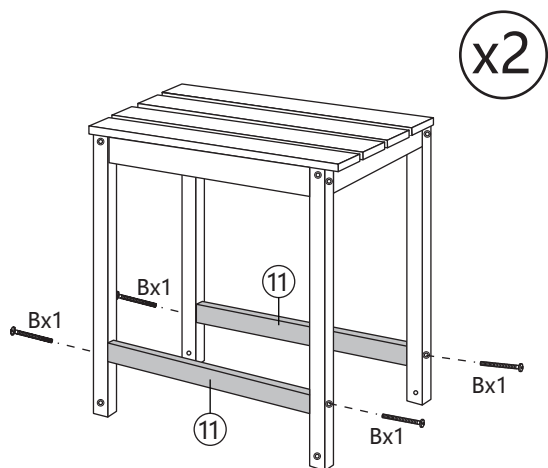


4

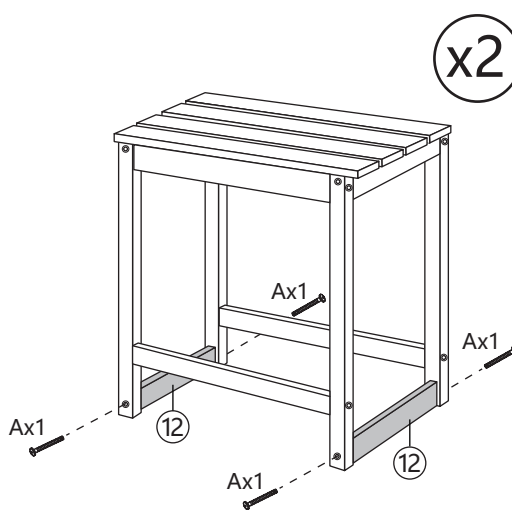


NOTE: Please read all instructions carefully before starting assembly. Also, we recommend that the unit is fully assembled on a level surface. Two people are recommended to assemble this product. DO NOT over torque screws and bolts.

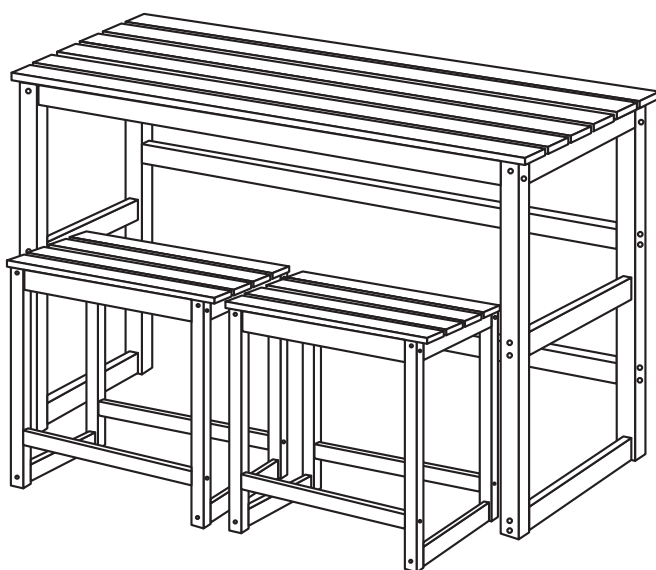
5



6



7



NOTE: Please read all instructions carefully before starting assembly.
 Also, we recommend that the unit is fully assembled on a level surface.
 Two people are recommended to assemble this product.
 DO NOT over torque screws and bolts.

Please check contents before assembly. If any items are missing or damaged, do not take the unit back to the store.
email: service@merryproducts.com
for customer service and we will save you time by correcting any problems directly for you.

NOTE: Please read all instructions carefully before starting assembly.
Also, we recommend that the unit is fully assembled on a level surface.
Two people are recommended to assemble this product.
DO NOT over torque screws and bolts.