

iPLUCK

SCALDER

YL - FW40/ YL - FW50

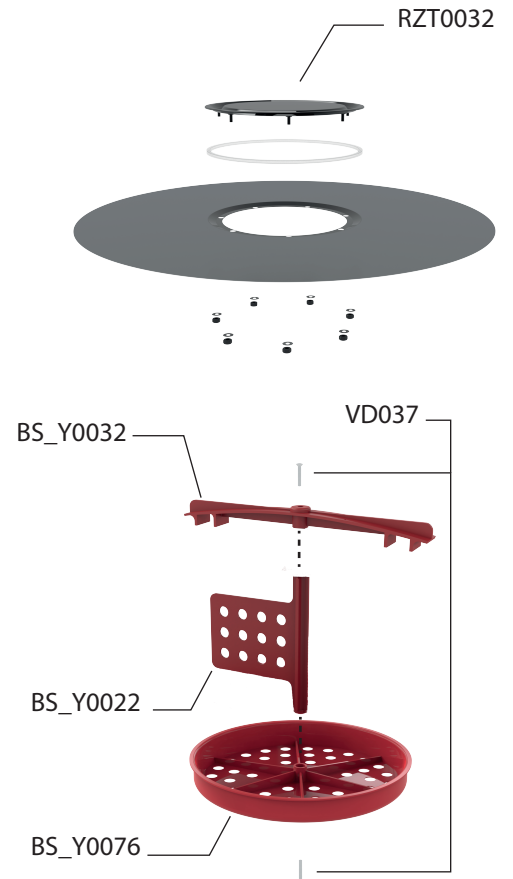
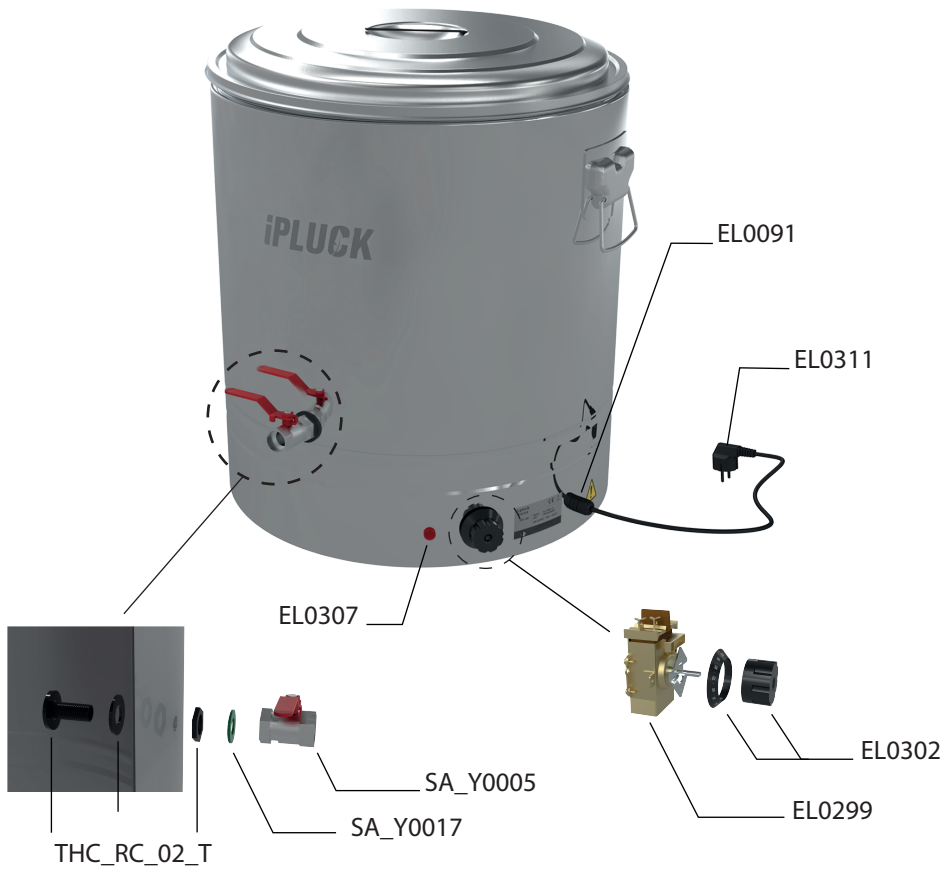
USER MANUEL



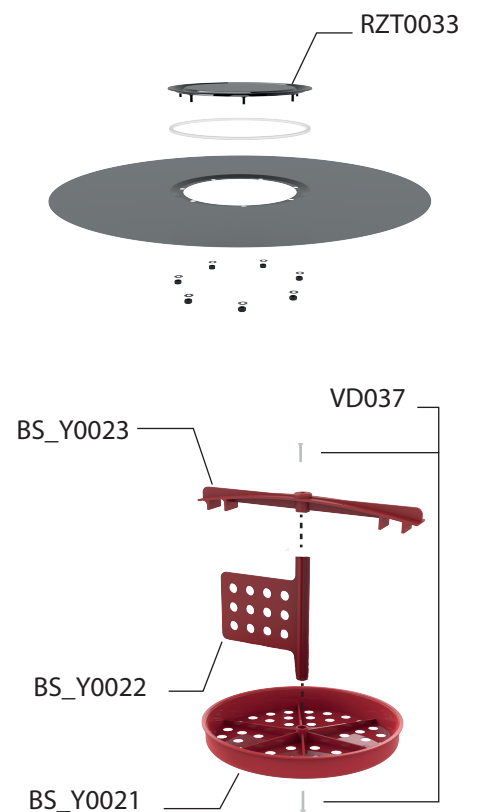
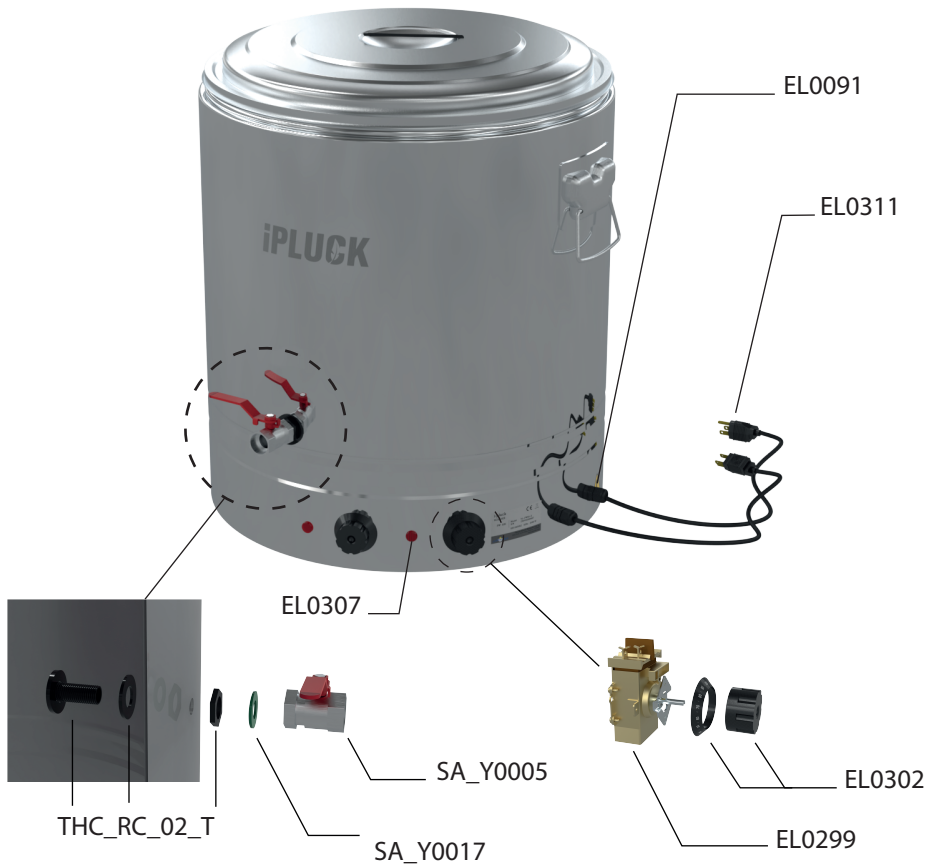
WARNING

Please remember that this appliance can become hot during use. For your safety, avoid touching the surfaces while it's operating. It's best to keep it away from other machinery. Ensure that everyone nearby understands the safety guidelines for using this unit. Make sure to share this manual with anyone who will operate it, and keep it out of children's reach. Stay safe and enjoy using your appliance!

YL - FW40 - EF-110V




YL - FW50 - EF-110V



Parts

CODE	DESCRIPTION
RZT0032	Flat heater for scalded 1500W-110VAC
RZT0033	Flat heater for scalded 3000W-110VAC
EL0307	LED ON/OFF Scalded
EL0299	Mechanical Thermostat 20A
EI0302	Knob for Mechanical Thermostat 85-230F
EL0311	Power Cable - US
EL0091	Cable Gland - PG9
BS_Y0023	Mixer - Top Part
BS_Y0022	Mixer - Middle Part
BS_Y0021	Mixer - Bottom case 50 Q
BS_Y0076	Mixer - Bottom case 40 Q
THC-RC-02-T	Reservoir Drainage Connector with Tap G3/4
SA_Y0005	Stainless Steel Valve
SA_Y00017	Cylinder Gasket 3/4


YL - FW40 - EF-110V

 Power: 1500W 110V 60Hz

 Galon: 16 Gal

 Weight: 24.2 lb

 Pack Dimensions: 19 x 19 x 24 in

 Product Dimension: 40cm diameter (16 inch)


YL - FW50 - EF-110V

 Power: 3000W (1500w x2) 110V 60Hz

 Capacity: 26 Gal

 Weight: 33.5 lb

 Pack Dimensions: 22 x 22 x 24 in

 Product Dimension: 50 cm diameter (20 inch)





IT IS IMPORTANT TO READ AND UNDERSTAND ALL OF THE INSTRUCTIONS AND SAFEGUARDS PRIOR TO USE

OPERATION

The feather-wetting process is crucial for a successful plucking. Optimal plucking results depend on proper scalding. We recommend using water at temperature 150°F (65°C) for scalding, with a duration of 1-2 minutes, depending on the age of the birds.

PRO TIP: Always use an accurate external thermometer to check the water temperature.

Preparation

- Fill your scalder with water, ensuring the water level is 4-6 in (10-15 cm) from the top.
- Plug the unit into a power outlet. **WARNING: This unit requires min 20 amps circuit.**
- Set the thermostat to the required temperature 150°F (65°C). The “active heater light” will turn on and off as the desired temperature is reached.

Scalding

- **Bird Processing:** Scald the bird within 5 minutes after processing. After 5 mins, rigor mortis (post-mortem stiffening of muscles) will start and plucking will not be efficient. DO NOT process number of birds over the capacity of your scalder and plucker.
- **Move Bird Around:** Place the birds in the red mixer. Move the mixer up and down and in a circular motion inside the tank for 1-2 mins for effective scalding.
- **Refresh Dirty Water:** Remove the dirty water through the release valve to drain it. Add hot water if needed, as the water level will decrease. Make sure the temperature requirements met.
PRO TIP: Keeping hot water ready is advisable for continuous plucking operations.

Scalding Time

- **Determine The Scalding Time:** Hold the bird by a wing feather; the bird should fall down with its own weight. Continue the wetting process until this point. At this stage, the birds are ready for plucking.
- **Avoid over-scalding:** This can cause the skin to tear or develop a brown color, especially on the breast meat. Under-scalding or insufficient temperature will make plucking less efficient and leave feathers.

Maintenance

- **Clean Up:** Unplug the electric cord and wait at least 30 minutes for the heaters to cool before cleaning or servicing. Avoid splashing water on the control thermostat. Make sure no water is left and it is dry inside the drum. Avoid leaving under direct sunlight and keep it covered.
- **Servicing:** If there is a failure, first check that the mains power supply is functioning and the main power cable is in good condition. If the problem persists, contact your distributor.
- **Warranty:** This unit has 1 year electrical warranty that covers the electrical parts only.



Safety Instructions

DO NOT operate the scalding unit without water in the tank.

DO NOT use improper or overly long extension cords for the unit. We recommend using max 50 ft cable. Make sure the cable has capacity to handle 20 amp power.

DO NOT plug the unit into a circuit breaker with less than 20 amps available.

FW50 Specific: **DO NOT** plug the unit into a power outlet or circuit breaker with less than 30 amps available. This unit is equipped with two electrical cords, which together require a total of 30 amps from your circuit breaker for safe operation. It is essential to connect each cord to a separate electrical outlet that runs to separate circuits. It is very important that each cord has to be plugged to a separate electrical circuit, not just different outlets, to ensure proper operation and safety.

- Before using this unit, ensure your circuit's electrical capacity can handle this requirement. For safety and to prevent overloading, it is crucial to connect each cord to a separate electrical circuit if a single circuit cannot provide the full 30 amps. Connecting to different outlets on the same circuit does not suffice. Improper installation or use of this unit can lead to malfunction and may pose safety risks. We disclaim any liability for damages or injury resulting from incorrect installation or operation not in accordance with these instructions.



HOT SURFACE -- DON'T TOUCH

Do not touch the outer surface of the scalding unit while in operation. The surface can become extremely hot.



RISK OF ELECTRIC SHOCK!

The cord, heaters, and connections are at the main voltage. Always use a GROUNDING POWER OUTLET

NEVER attempt any servicing unless the machine is disconnected from the main electricity supply.

General Information

1. Keep this manual with the scalders. All users must read and understand instructions and warnings prior to use.
2. Always ensure the appliance is properly assembled and safely set up before use.
3. The manufacturer declines any responsibility in the case of improper use of this product. Improper use of this product voids the warranty.
4. The appliance is designed exclusively for domestic use and not for commercial purpose.
5. Thoroughly hand-wash all appliance parts and wipe down the exterior with warm soapy water prior to use. Dry thoroughly.
6. Not dishwasher safe. Discoloration may occur.
7. Use the appliance with supplied accessories only. **WARNING:** The use of accessories or attachments not recommended or sold by the manufacturer may cause injury, damage to personal property, and may void your warranty.
8. **WARNING: DO NOT** use while under the influence of alcohol or prescription or non-prescription drugs as these may impair user's ability to properly assemble or safely operate the appliance.
9. Tie back loose hair and clothing. Roll up long sleeves. Remove neck ties, rings, watches, bracelets or other jewelry before operating the appliance.
10. Keep your work area clean and well lit. Cluttered work benches and dark work areas may cause accidents or injury.
11. **CAUTION:** This appliance is not recommended for use near or by children or persons with certain disabilities. Set up and store the appliance in a secure dry location out of reach of children.
12. **DO NOT** attempt to disable any of the safety features that are in place.
13. Keep the area around the appliance clear of flammable materials.
14. Appliance should be set up and used in a well-ventilated area to avoid overheating.
15. The appliance must be connected to a dedicated 110/120 Volt AC electric supply only.
16. To reduce risk of unintentional starting, ensure the appliance is in the off position prior to plugging in. Running the scalders without water will damage the unit. **DO NOT TURN ON WITHOUT WATER IN THE TUB.**
17. First plug appliance into electrical outlet then turn the unit to "on". To disconnect turn the appliance to "off" and then remove plug from outlet.
18. Unplug from outlet when not in use and before cleaning. Allow to cool before putting on or taking off parts and before cleaning and storing the appliance.
19. To protect against the risk of electrical shock, never immerse the device, cord or plug in water and do not expose the device to rain or moisture. **WARNING:** In the event the device should fall into water, remove the plug from the wall socket before attempting to remove the unit from the water. If submergence occurs, have the appliance examined by an authorized technician before use.
20. It is important to monitor the appliance when in use. Never leave the appliance unattended if it can be switched on and operated.
21. **DO NOT** attempt to repair or adjust any electrical or mechanical functions on this appliance. Doing so will void warranty. Servicing should be performed as directed by qualified personnel only.
22. **DO NOT** touch the hot surfaces. Use handles or knobs. Some surfaces may remain hot to the touch even after the unit is turned off. Use caution until the machine has the opportunity to cool down.
23. For your safety, this unit is equipped with a 3-pronged, grounding plug and must be plugged into a properly grounded outlet. If your outlet is not of the proper type, it is your responsibility to have the outlet and wiring changed to the correct type. **DO NOT** cut off the third (grounding) prong.
DO NOT use an adapter.
24. For best performance, the use of an extension cord is not recommended because it may cause a decrease in electrical current, and could possibly catch fire.
25. **DO NOT** operate any appliance with a damaged cord or plug or after the appliance malfunctions or is dropped or damaged in any manner.
26. **DO NOT** move unit when in use and filled with water.
27. **WARNING:** The warnings, cautions and instructions discussed in this instruction manual cannot cover all possible conditions or situations that could occur. It must be understood by the operator that common sense must be used.

