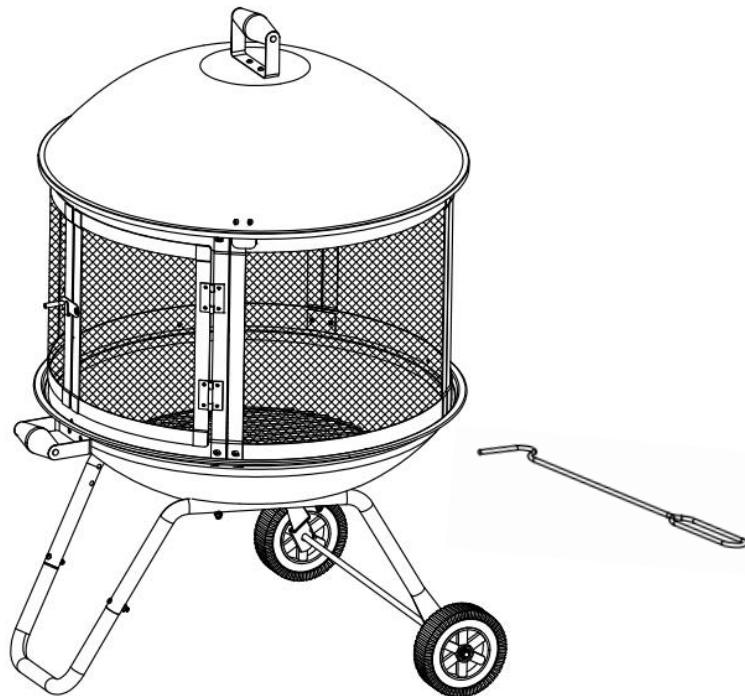




Assembly Instruction & User's Manual

28" Portable Fire Pit

SKU#210201130114



For Outdoor Use Only

Questions, problems, missing parts?

Before returning to your retailer, please contact our Customer Service Center at 1-888-380-7953 or Email: parts@uriahproducts.com.

Table of Contents

Warnings.....	2-3
Tools and Parts.....	4-5
Assembly Instructions.....	5-9
Care and Maintenance.....	10
Warranty Information.....	11



Warnings

1. DO NOT use this fire pit without reading all warnings and instructions.
2. Always empty the fire pit before each use.
3. Place the fire pit no closer than 24 inches from walls during use.
4. Avoid using near or under overhanging trees and shrubs.
5. Use on a hard, level, non-combustible surface (e.g., concrete, rock, or stone).
6. DO NOT use on wooden decks, carpet, grass, or furniture.
7. This item is for outdoor use only—DO NOT use in buildings, garages, or enclosed areas.
8. Keep all electrical cords away from the hot fire pit.
9. Never store or use gasoline or other flammable liquids near the fire pit.
10. DO NOT store or use an LP gas cylinder within 10 feet (3.05 m) of this fire pit while in operation.
11. DO NOT move or touch the unit during use.
12. Never leave the hot fire pit unwatched.
13. Keep children and pets away from the fire pit during use.
14. DO NOT lean over the fire pit when lighting or in use.






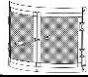











Warnings

15. Use long, sturdy fire pit tools when adding or moving logs.
16. DO NOT use gasoline, kerosene, diesel fuel, or lighter fluid to start or relight fires.
17. DO NOT use in windy conditions.
18. DO NOT use in or on boats or recreational vehicles.
19. DO NOT put away the fire pit until it has cooled down.
20. DO NOT use water to extinguish the fire.
21. Never leave the fire pit out in the rain without a cover.
21. Ensure the fire pit is thoroughly cooled before storage.
22. DO NOT alter this fire pit in any way.
23. This fire pit is very hot!
24. Toxic carbon monoxide fumes can accumulate and cause asphyxiation or death.
25. Rain mixing with ash can form corrosive agents.
26. Death, serious injury or damage to property may occur if the above is not followed exactly.







Tools Required

1	Phillips Head Screwdriver (Not Included)	
2	Wrench	

Parts List

A	Handle		2
B	Lid		1
C	Stop panel		3
D	Side Panel		3
E	Connector		6
F	Door Assembly		1
G	Door Latch		1
H	Wood Grate		1
I	Fire Bowl		1
J	Damper		1
K	Left Rear Leg		1
L	Right Rear Leg		1
M	Wheel		2
N	Axis		1
O	Front Leg		1
P	Poker		1
Q	Connector Door		2

Hardware




AA	M6x12mm Bolt		30
BB	M6 Nut		36
CC	M6x35mm Bolt		6
DD	M8 Nut		2
EE	M6 Washer		4
FF	Wrench		1

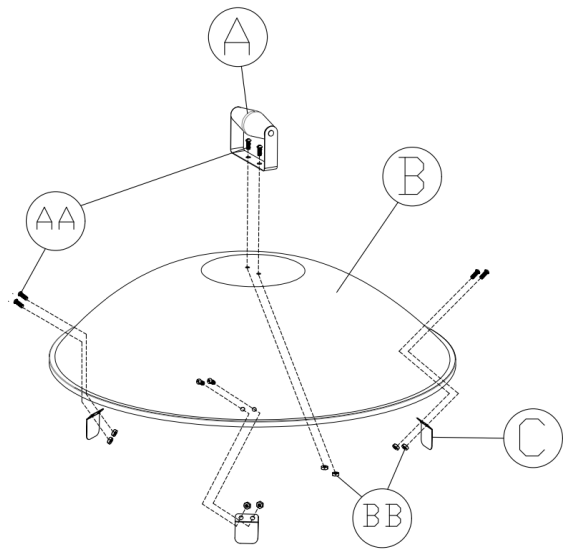
Assembly Instructions

Step 1:

Attach the handle (A) and three Stop panel (C) to the lid (B) by securing as illustrated in figure 1. Secure with eight M6x12mm bolts (AA) and eight M6 nuts (BB). Tighten with a Phillips screwdriver and the wrench (FF).

Hardware Used




AA	M6x12mm Bolt		x 8
BB	M6 Nut		x 8
FF	Wrench		

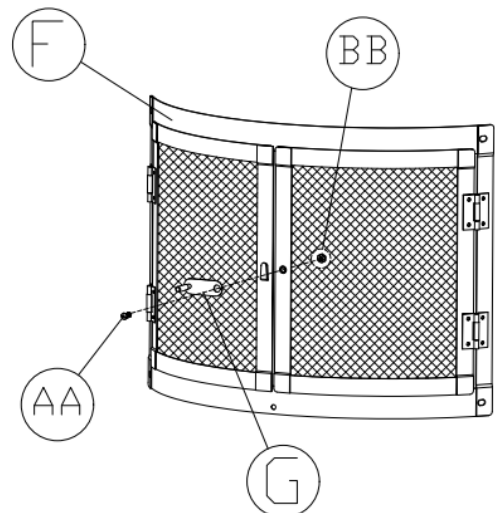


Step 2:

Attach the door latch (G) to the door assembly (F) using one M6x12mm bolt (AA) and one M6 nut (BB). Tighten with a Phillips screwdriver and the wrench (FF).

Hardware Used

AA	M6x12mm Bolt		x 1
BB	M6 Nut		x 1
FF	Wrench		




Assembly Instructions

Step 3:

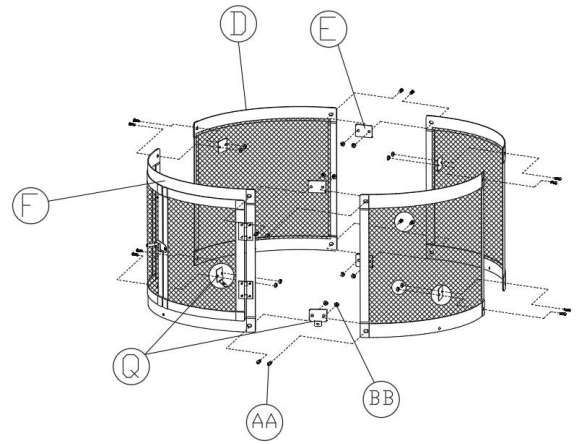
Connect three the side panels (D) and the door assembly (F) together to form a circle. Attach six the connectors (E) and two the connectors door (Q) to the inside top and bottom of the side panels and the door assembly as illustrated in figure 3. Insert two M6x12mm bolts (AA) to each connector and secure with two M6 nuts (BB). Tighten with a Phillips screwdriver and the wrench (FF).

Hardware Used

AA M6x12mm Bolt  x 16

BB M6 Nut  x 16

FF Wrench 




Step 4:

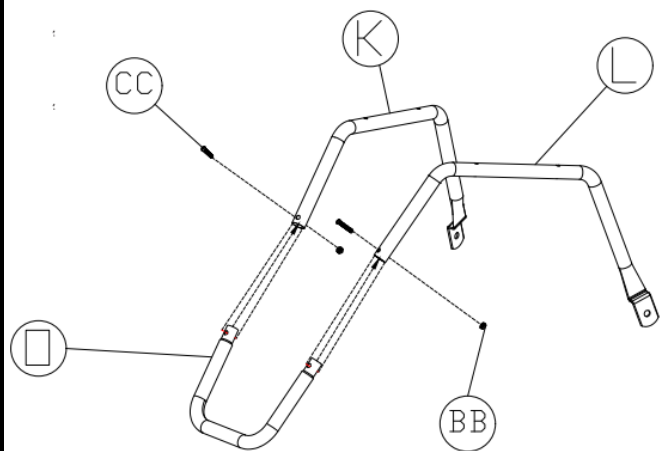
Attach the left rear leg (K) to the front leg (O) using one M6x35mm bolt (CC). Secure with one M6 nut (BB). Tighten with a Phillips screwdriver and the wrench (FF). Attach the right rear leg (L) to the front leg (O) using one M6x35mm bolt (CC). Secure with one M6 nut (BB). Tighten with a Phillips screwdriver and the wrench (FF).

Hardware Used

BB M6 Nut  x 2

CC M6x35mm Bolt  x 2

FF Wrench 



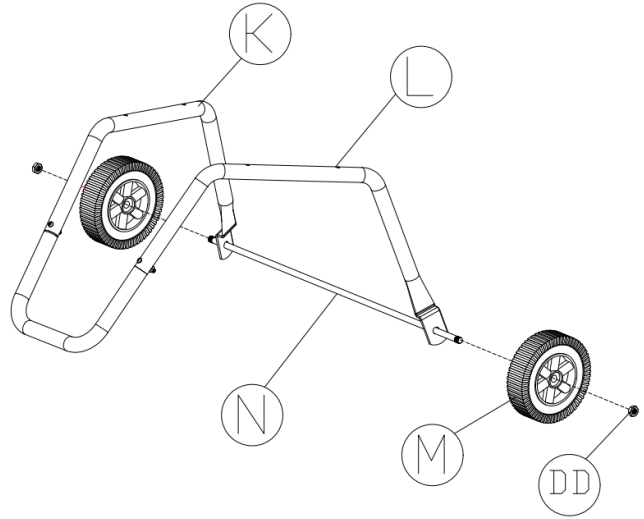
Assembly Instructions

Step 5:

Insert the axis (N) through the pre-drilled holes in the left rear leg (K) and right rear leg (L). Attach one wheel (M) to the axis (N). Secure that side with one M8 nut (DD). Then, attach the other wheel by duplicating this step on the other side of the axis (N). Tighten with the wrench (FF).

Hardware Used




DD M8 Nut		x 2
FF Wrench		

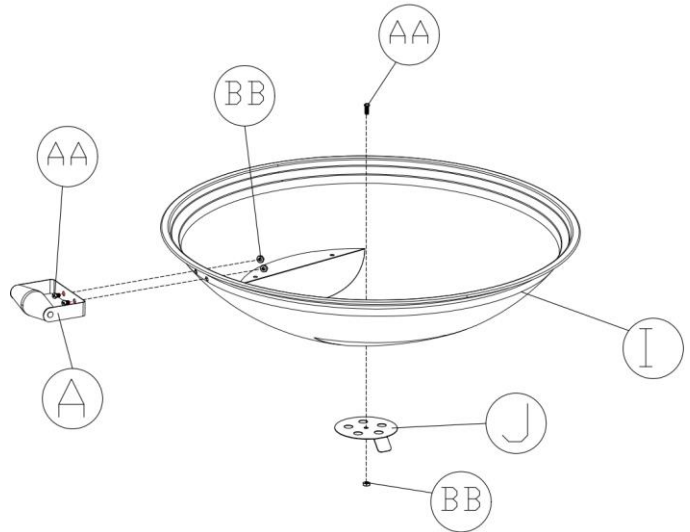


Step 6:

Attach the handle (A) and the Damper (J) to the fire bowl (I) using three M6x12mm bolts (AA). Then secure with three M6 nuts (BB). Tighten with a Phillips screwdriver and the wrench (FF).

Hardware Used

AA M6x12mm Bolt		x 3
BB M6 Nut		x 3
FF Wrench		




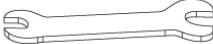


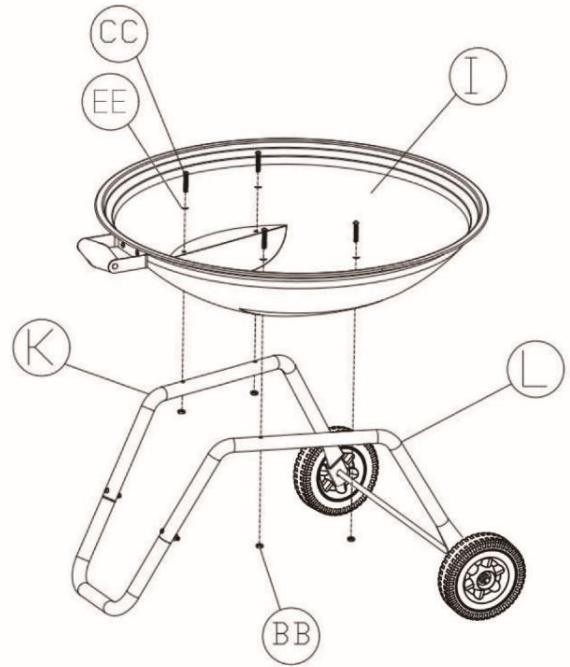
Assembly Instructions

Step 7:

Attach the fire bowl (I) to the legs (K) and (L) using four M6x35mm bolts (CC) and four M6 Washers (EE). Secure with four M6 nuts (BB). Tighten with a Phillips screwdriver and the wrench (FF).

Hardware Used




BB M6 Nut		x 4
CC M6x35mm Bolt		x 4
EE M6 Washer		x 4
FF Wrench		

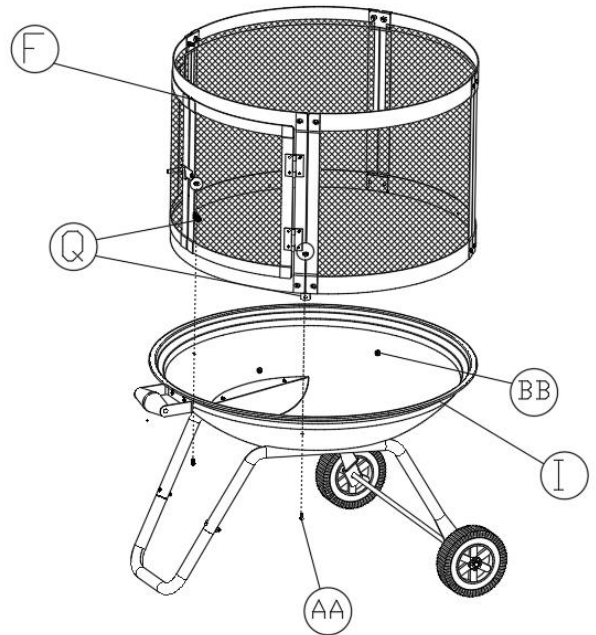


Step 8:

Place the assembled mesh screen as illustrated in step 3 to the fire bowl (I). Attach the two connector door (Q) of the door Assembly (F) to the fire bowl (I) with two M6X12 bolts (AA) and two M6 nut (BB).

Hardware Used

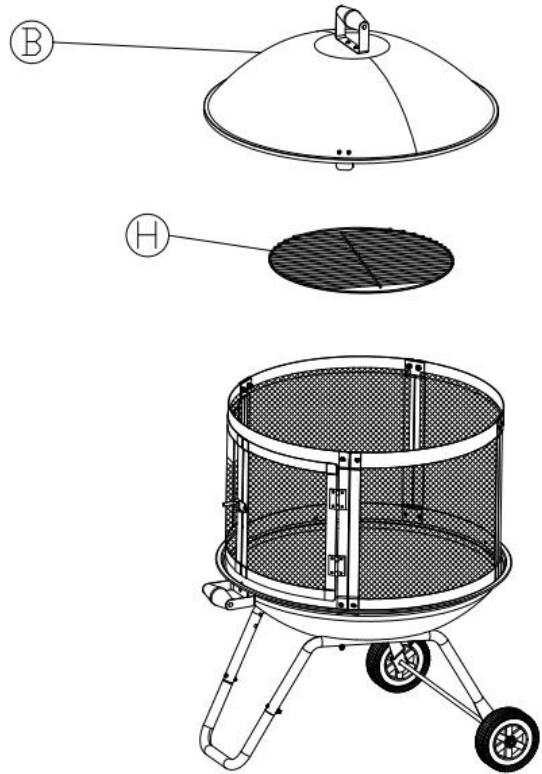
AA M6x12mm Bolt		x 2
BB M6 Nut		x 2
FF Wrench		



Assembly Instructions

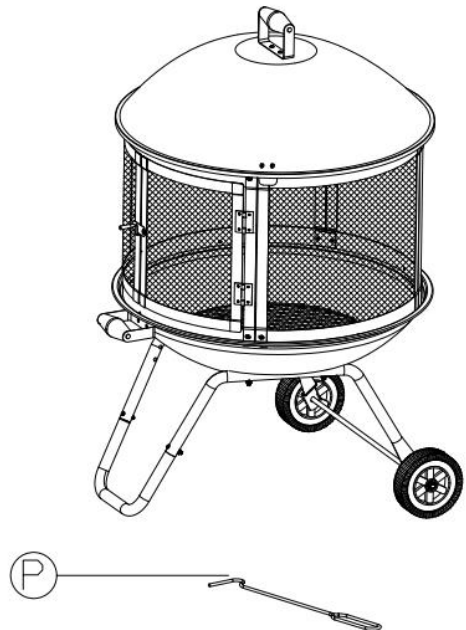
Step 9:

Place the wood grate (H) in the fire bowl (I). Then cover with the lid (B) as shown in the figure.



Step 10:

Your fire pit is now ready for use. Keep the poker (P) near the fire pit for use anytime.



Care and Maintenance

Lighting

1. Make sure there is only a small amount of ash in the bottom of the bowl.
2. Place a layer of dry kindling or a natural fire-starter onto the center of the fire bowl.
3. Place above that a layer of dry seasoned hardwood that is no more than 3/4 the length of the bowl diameter.
4. Use a match to light kindling or fire-starter.

Tending the Fire

You may need to shift and/or add logs for an ideal experience.

DO NOT place hot fire pit tools onto combustible surfaces such as grass, wooden deck or furniture.

1. While using a long handled fire pit tool, shift coals and logs to allow additional airflow.
2. DO NOT add gasoline, kerosene, diesel fuel, lighter fluid or alcohol to relight or enhance an existing fire.
3. Wait until glowing coals have developed before adding any additional wood. If additional wood is required, place wood on top coals, be careful not to shift ashes.

Extinguishing

1. Allow fire to burn itself out.
2. DO NOT use water to extinguish as this is dangerous and can cause damage to this outdoor fire pit.

Inspecting

This fire pit should be inspected on a regular basis to ensure product safety and longer product life.

DO NOT attempt to inspect this fire pit until the fire is COMPLETELY out and cool to the touch.

1. Check components for any signs of damage or rust.
2. If damage to any component is detected, do NOT operate until repairs are executed.

Cleaning

This fire pit should be cleaned on a regular basis to promote safer experiences and longer product life.

Note: After repeated use, a slight discoloration of the finish may occur.

DO NOT attempt to clean this fire pit until the fire is COMPLETELY out and cool to the touch.

DO NOT use oven cleaner or abrasive cleaners as they will damage this product.

DO NOT clean any part of this fire pit in a self cleaning oven as it may damage the finish.

1. Wipe exterior surfaces with a mild dishwashing detergent or baking soda.
2. For stubborn surfaces use a citrus based degreaser and a nylon scrubbing brush.
3. Rinse and clean with water.
4. Remove built-up creosote from components with a chimney cleaning product.

Warranty Information

If within one year from the date of original purchase, this item fails due to a defect in material or workmanship, we will replace or repair at our option, free of charge. You can call our customer service department at (888)-380-7953 for help. For further assistance, please write to us at Email: parts@uriahproducts.com.

This warranty does not cover defects resulting from improper or abnormal use, misuse, accident, or alteration. Failure to follow all instructions in the owner's manual will also void this warranty.

The manufacturer will not be liable for incidental or consequential damages, or common erosion of outdoor products. Some states do not allow the exclusion or limitation of incidental or consequential damages, so the above limitation may not apply to you. This warranty gives you specific legal rights, and you may also have other rights which vary from state to state.