



Manual For Rolling Planter

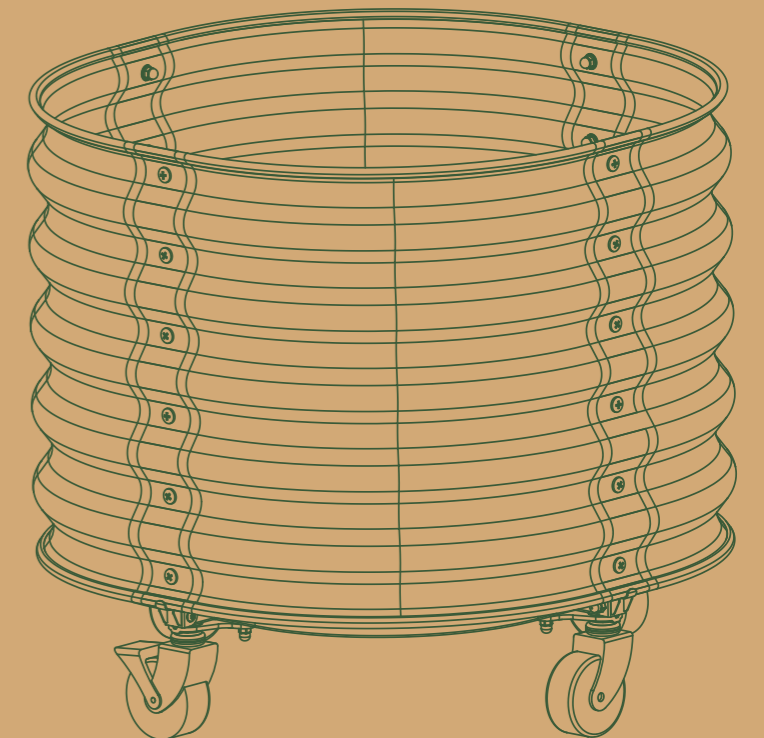
© Copyright 2024 Vego Garden Inc.



Room to grow



 Room to grow.



Contact Us



+1 (866) 597-1888



Vego Garden Academy



hello@vegogarden.com



vegogarden.com



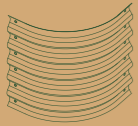

vego_garden



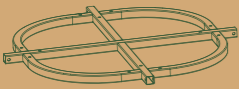



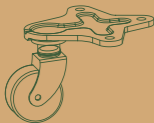
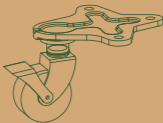
Houston, TX

Parts List - Single Pack

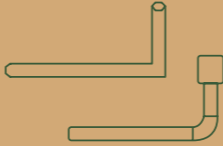
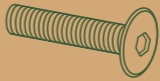


Metal Raised Bed Package

 <p>C10 Corner Pan X4</p>	 <p>SE Safety Edging X1</p>	 <p>B1 Bolt M6X10 X24</p>	 <p>FCN Flange Cap Nut X8</p>
 <p>FSN Flange Standard Nut X16</p>			

Rolling Frame Package

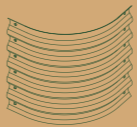




 <p>F1 Frame X1</p>	 <p>WCB Wicking Cell Bottom X1</p>	 <p>WCT Wicking Cell Top X1</p>	 <p>FA Frame Adaptor X4</p>
 <p>C1 Casters X2</p>	 <p>LC Locking Casters X2</p>		

Tools & Hardware

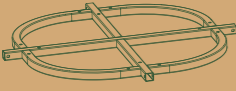

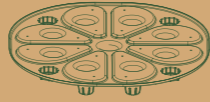

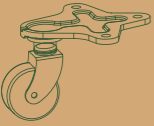
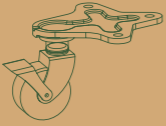
 <p>HK Hex Key & LW L Wrench X1</p>	 <p>B2 Bolt M6X32 X16</p>	 <p>CN Cap Nut M6 X16</p>	 <p>MW Metal Washers X12</p>
---	---	---	--

Parts List - Twin Pack

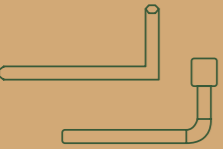
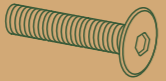


Metal Raised Bed Package

 <p>C10 Corner Pan X8</p>	 <p>SE Safety Edging X2</p>	 <p>B1 Bolt M6X10 X48</p>	 <p>FCN Flange Cap Nut X16</p>
 <p>FSN Flange Standard Nut X32</p>			

Rolling Frame Package

 <p>F1 Frame X2</p>	 <p>WCB Wicking Cell Bottom X2</p>	 <p>WCT Wicking Cell Top X2</p>	 <p>FA Frame Adaptor X8</p>
 <p>C1 Casters X4</p>	 <p>LC Locking Casters X4</p>		

Tools & Hardware

 <p>HK Hex Key & LW L Wrench X1</p>	 <p>B2 Bolt M6X32 X32</p>	 <p>CN Cap Nut M6 X32</p>	 <p>MW Metal Washers X24</p>
--	--	--	---

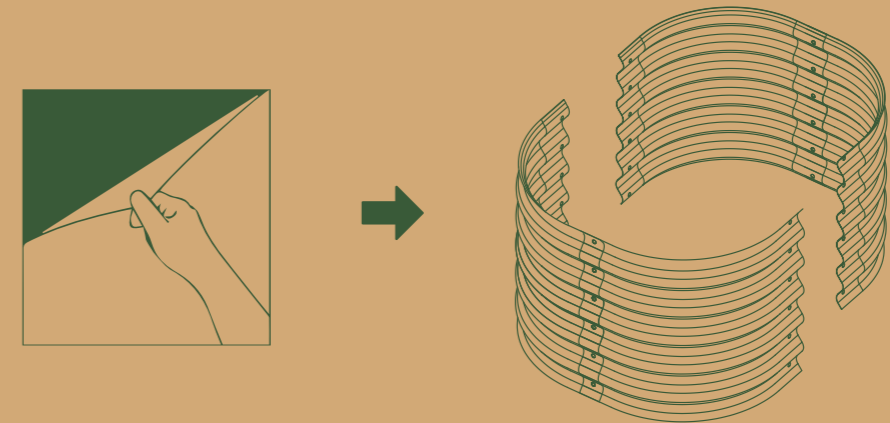


Assembly Videos

Assembly Guide

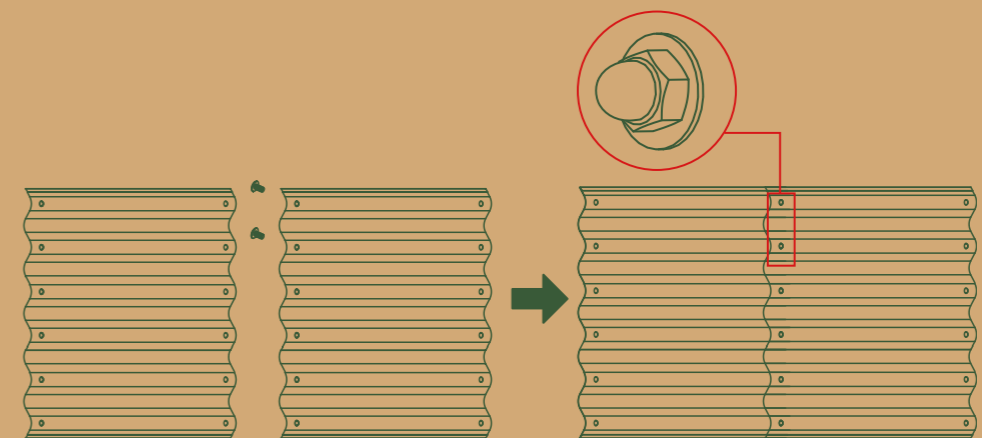
1 Remove The Film

Remove the protective film from all panels, and lay panels on a flat surface according to the configuration you choose. Ensure corner panels are installed on the outside of straight panels.



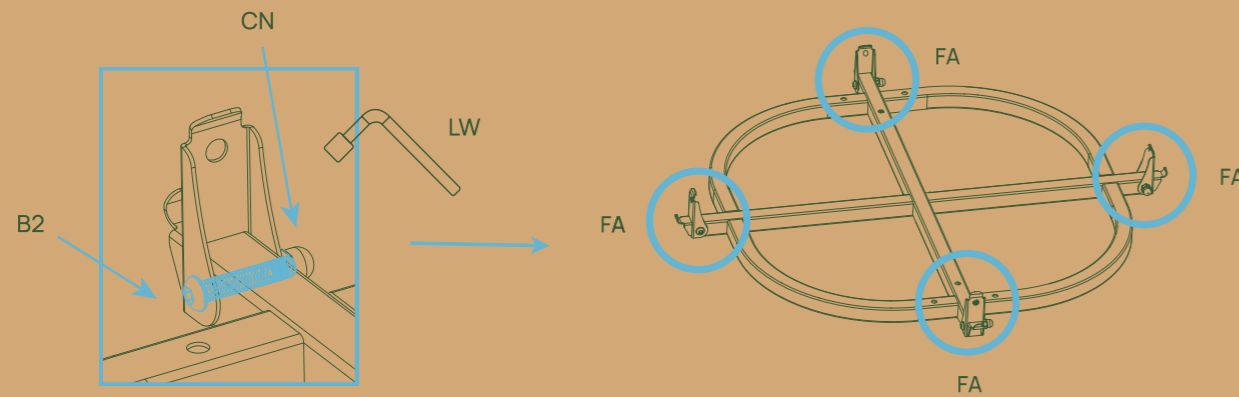
2 Connect Panels

Connect panels by installing cap nuts in the top two rows of holes. Leave the other rows of holes empty for now.



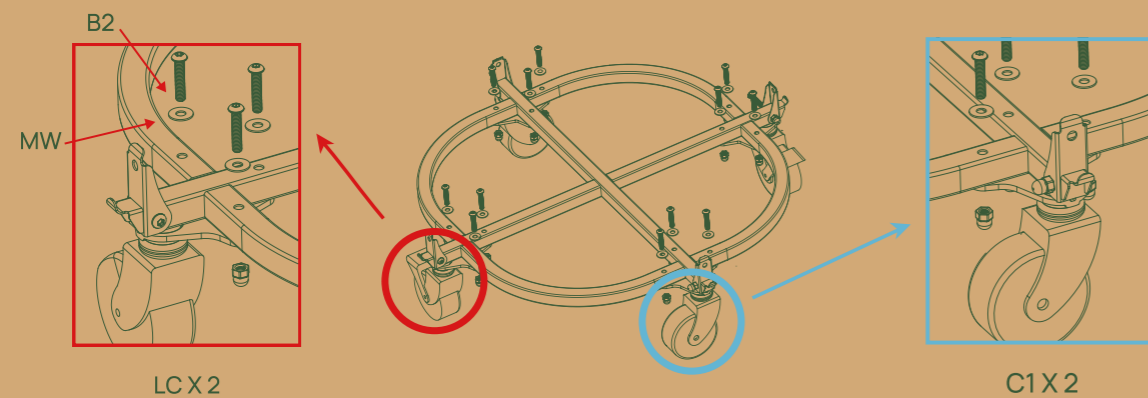
3 Attach The Adapter To The Frame

Using the tools provided as well as bolts (B2) and cap nuts (CN,) attach 6 frame adapters (FA) to frame at each end, seen below in BLUE, and tighten.



4 Connect Casters

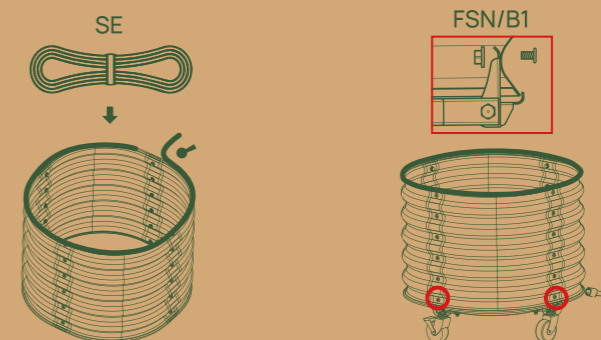
Attach the casters (C1,LC) to the bottom of the legs making sure to place matching caster types on opposite corners as shown in the RED and BLUE below. Tighten using the tools provided.



5 Install Garden Bed

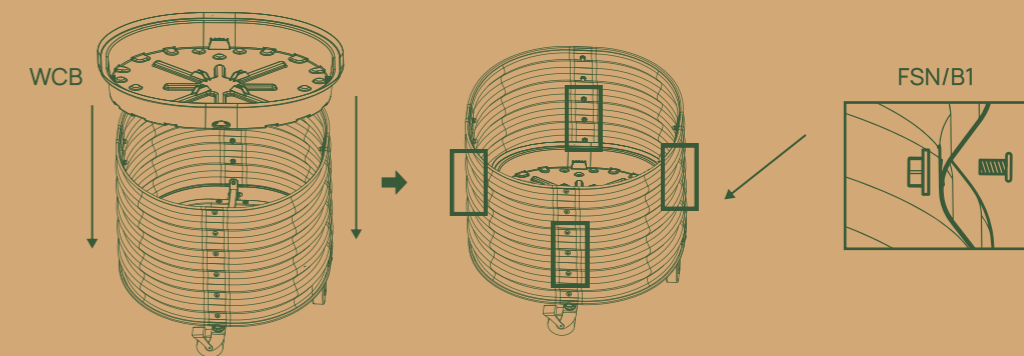
Attach safety edging (SE) to the top edges of the garden bed.

Finally, place the bed on the frame, with the bed resting between the edges of the adapter. Secure the bed through the adapters using bolts (B1) and flange standard nuts (FSN.)



6 Install The Wicking Cell Bottoms

Place the wicking cell bottoms into the base of the bed, on top of the frame. Push the bottom so that it is flush with the frame underneath. Next, install all remaining hardware into the garden bed.



7 Install The Wicking Cell Top

Finally, set the wicking cell tops (WCT) into the bottoms. Now your Rolling Self-Watering Garden Bed is complete! Happy Gardening!

