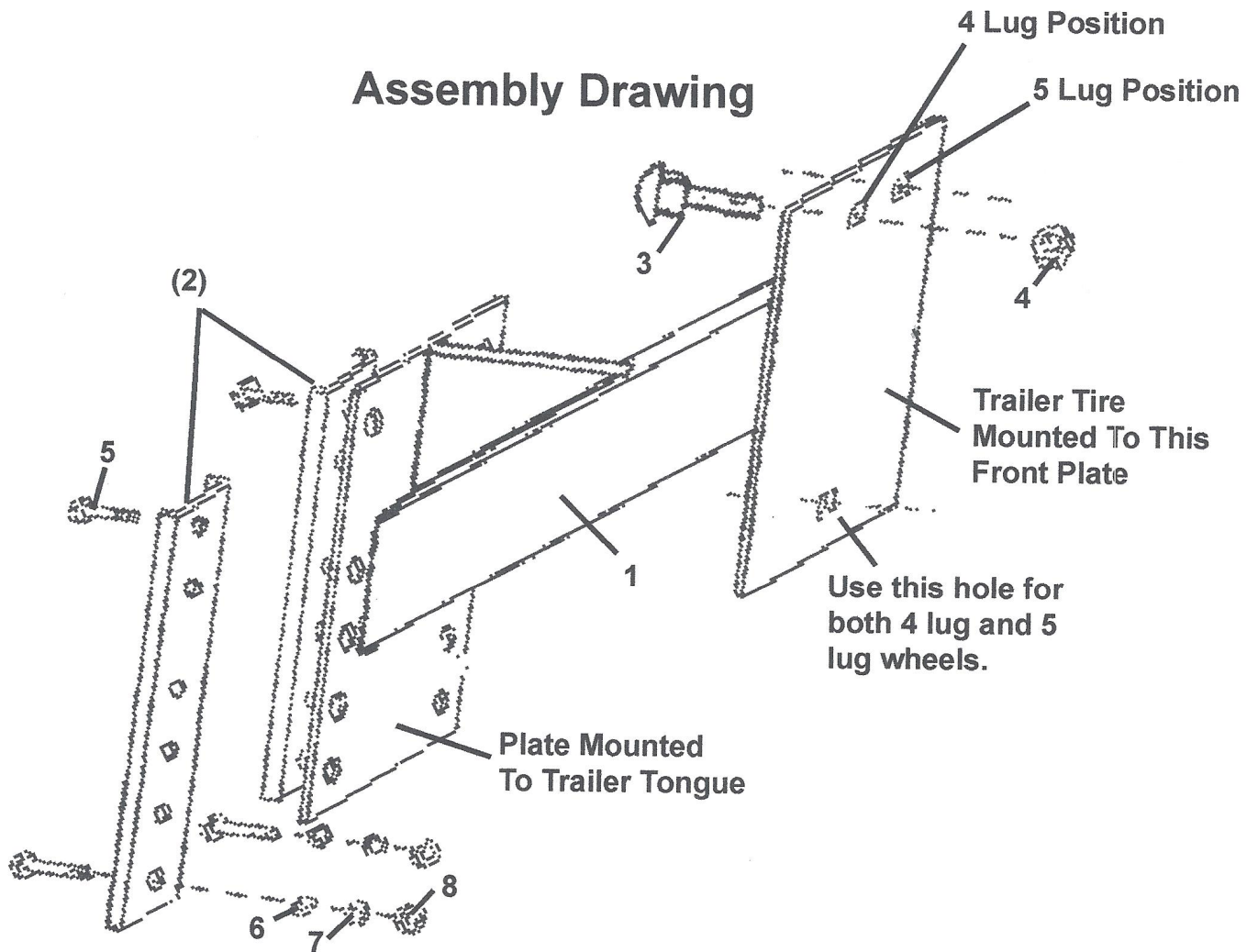


Parts List

Part #	Description	Qty
1	Carrier Base	1
2	Mounting Bracket	2
3	Bolt (Round Head)	2
4	Nut (Nylon Lock)	2
5	Bolt (Hex)	4
6	Washer	4
7	Spring Lock Washer	4
8	Nut	4

Assembly Drawing



Note: The Parts List and Assembly Diagram is provided as a reference tool only. Some parts are listed and shown for illustration purposes only, and are not available as replacement parts. All repairs to this tool (including replacing parts) should only be done by a qualified service technician.