



# Get Started!



# ScoopFree® Crystal Pro

## Hooded Self-Cleaning Litter Box

### Before we start:

As you set up your new litter box, keep in mind:

#### Some cats need time to adjust

While many cats take to their new and improved litter box right away, others take a little longer. Here are some tips to help you get off to a good start:

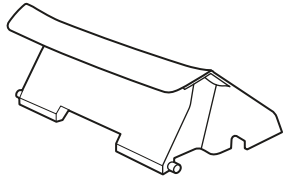
- Place the new litter box next to your cat's current litter box (trust us, you'll be able to get rid of the old one soon).
- Add a few handfuls of your cat's old litter to the crystal litter tray. You can also sprinkle a little crystal litter into your cat's old litter box.
- Let the old litter box get dirty. Most cats prefer a clean litter box and will soon be drawn to the fresh crystal litter.
- Although the ScoopFree® Crystal Pro Hooded Self-Cleaning Litter Box is quiet when running and only runs after use, in some cases it's a good idea to leave the new litter box unplugged until your kitty gets the hang of it.

#### Your kitten needs special care

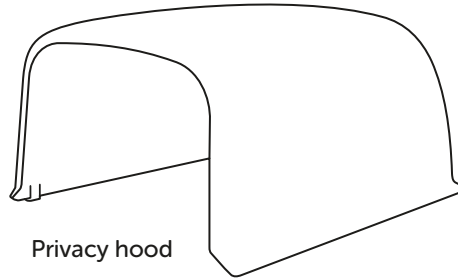
**Important:** If you have a kitten, leave the litter box unplugged and scoop waste manually until she is at least 6 months old. You may want to place a box or step next to the litter box to make it easier for your kitten to get in and out.

## No scooping, more snuggling.

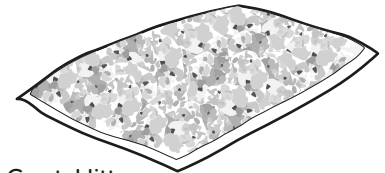
## What you have:



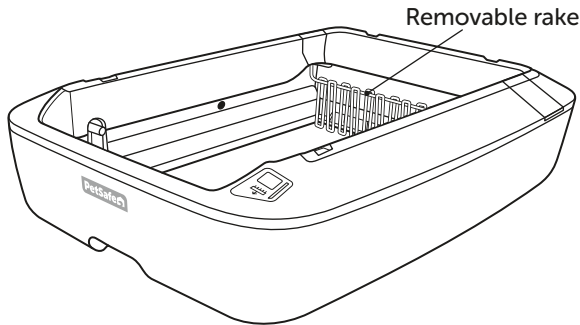
Waste trap cover



Privacy hood

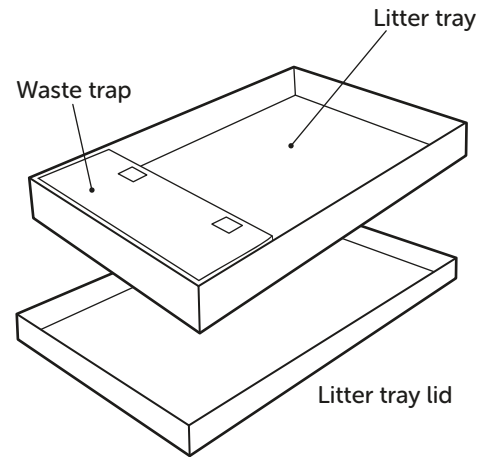


Crystal litter



Litter box frame

Removable rake



Waste trap

Litter tray

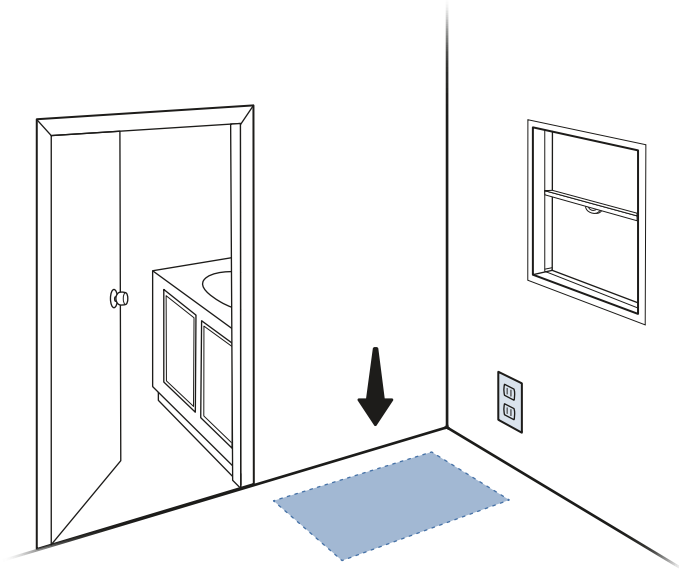
Litter tray lid



Power adaptor

# Set up your new litter box

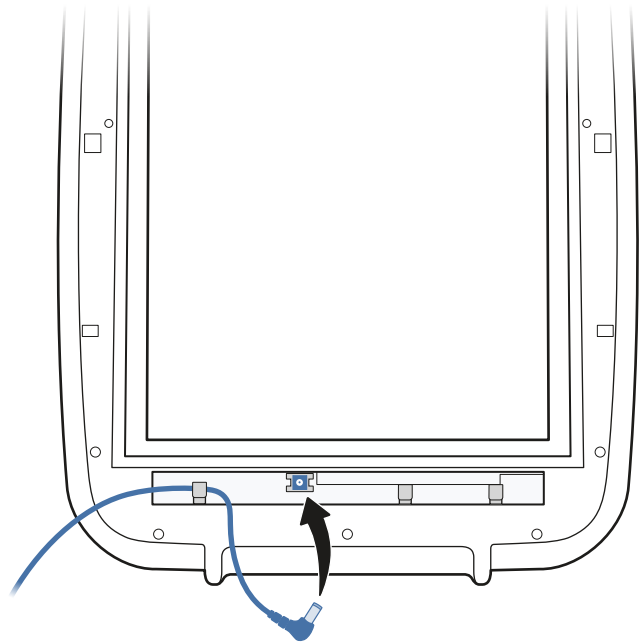
1



Select a good location for the litter box, near an electrical outlet.

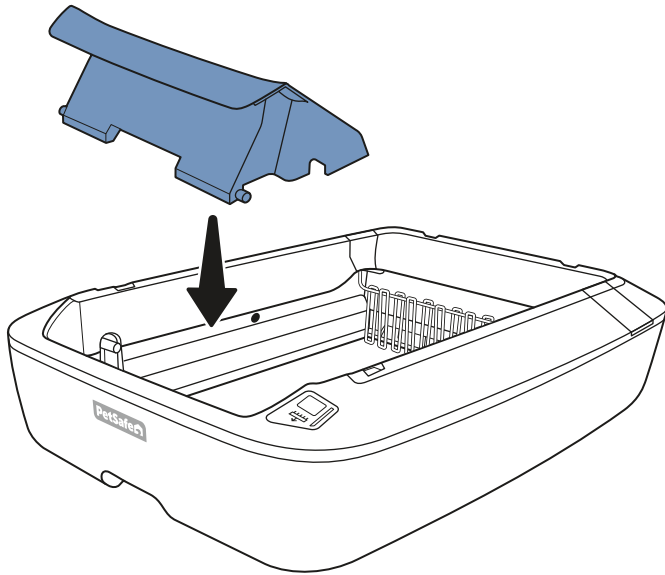
For maximum tray life and odor control, place the litter box in a dry area with good air flow (not in a bathroom or basement). Crystal litter controls odor by absorbing liquid from your cat's waste. Excess humidity in the air can cause the litter to become saturated more quickly, shortening the life of the litter tray.

2



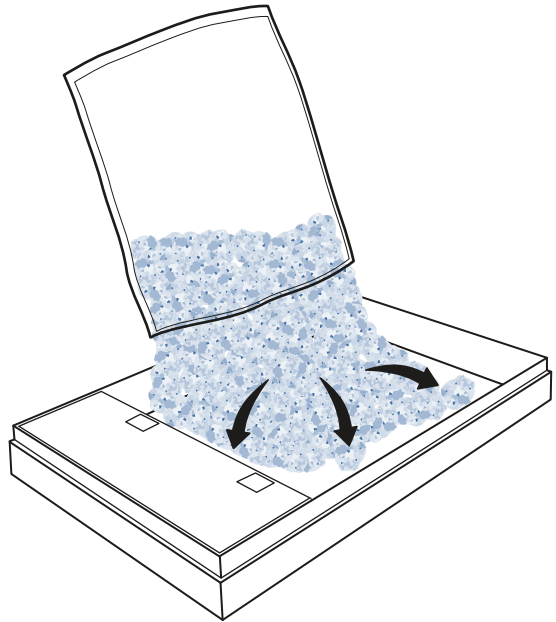
Insert the small end of the power adaptor into the socket on the bottom of the litter box frame. Slide the power adaptor cable under the clips on either side of the socket to secure it.

3



Install the waste trap cover by inserting the posts on the underside of the waste trap cover into the notches inside the front of the litter box frame.

4

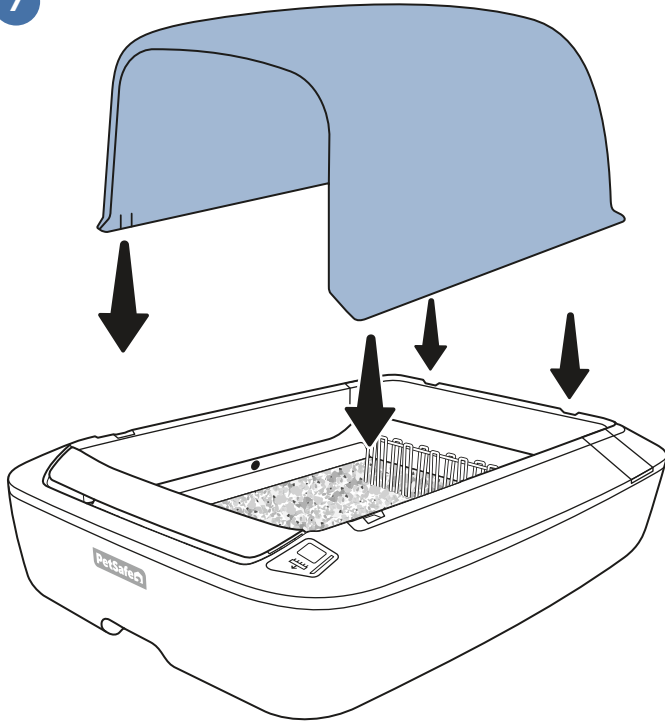


Pour the crystal litter into the litter tray and spread it evenly. Sprinkle one handful of litter under the waste trap.

The litter tray lid is under the litter tray. You'll use this later when you change the litter tray.



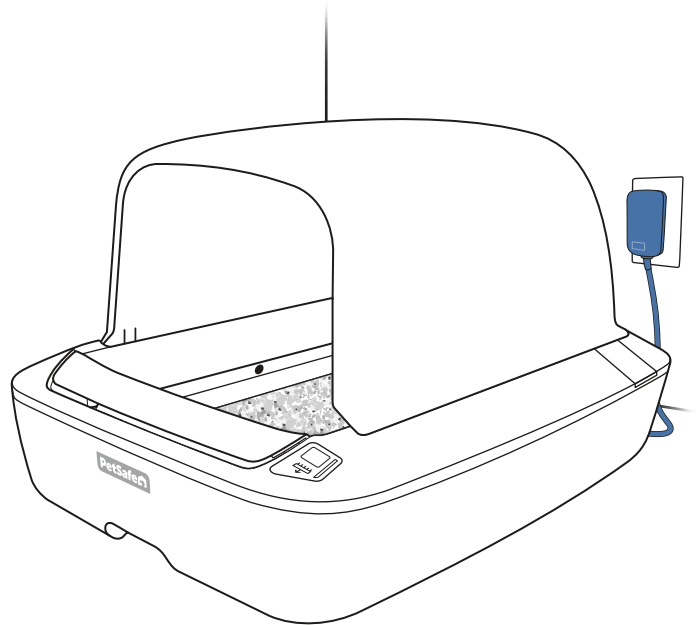
7



Place the privacy hood on top of the litter box, inserting the tabs at the bottom of the privacy hood into the notches on the top edge of the litter box.

If your cat has not used a covered litter box before, it may help to leave the litter box uncovered until your cat is comfortable using it.

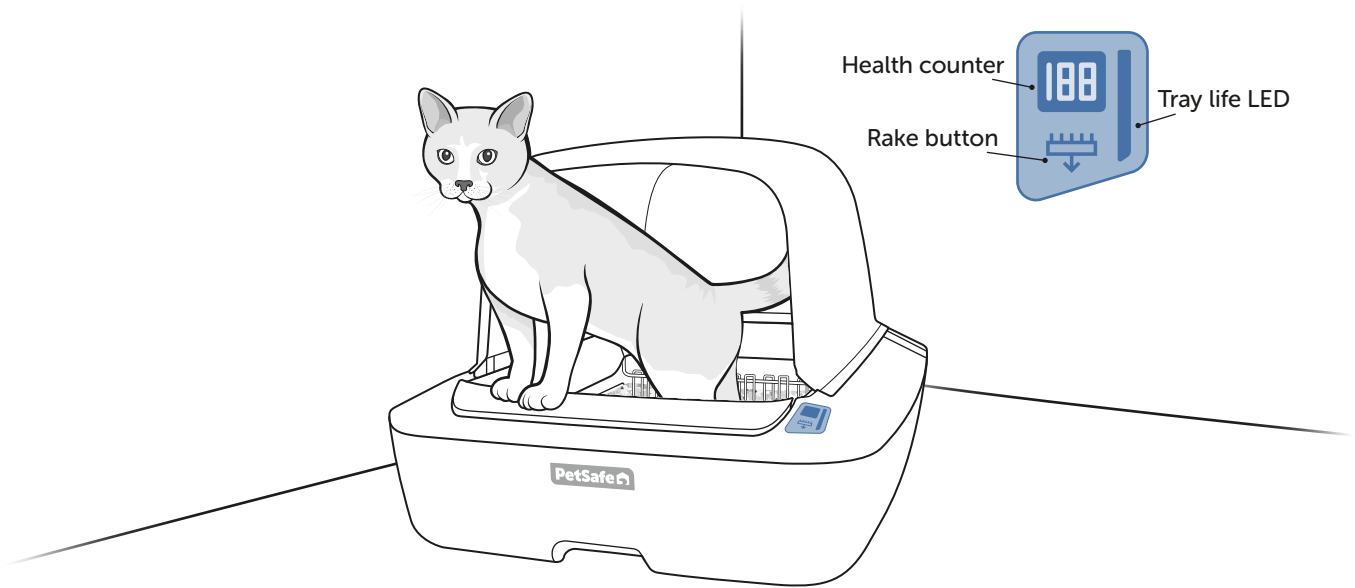
8



Plug the power adaptor into the electrical outlet.

**Important:** If you have a kitten, leave the litter box unplugged until she is at least 6 months old.


The litter box will power on.



Your new litter box is ready to use. Here's how it works:

- Sensors inside the litter box recognize when your cat is present. When your cat leaves the litter box, the rake button will blink blue and the rake timer will start a 20-minute countdown.
- When the countdown is complete, the rake will move any solid waste into the waste trap. (The crystal litter will absorb any liquid waste.)
- If your cat returns to the litter box during the countdown, the rake timer will stop. The rake timer will reset when your cat leaves the litter box again.
- Each time the rake activates, the health counter will increase by one. Monitoring this health counter can help you identify changes in your cat's digestive or urinary health. The health counter will reset automatically each time you change the litter tray.
- To activate the rake manually at any time, press the rake button. To pause the rake while it is in motion, press the rake button again.
- The tray life LED keeps track of litter box usage and will let you know when it is time to change the litter tray.

The tray life LED and rake button change color to indicate litter box status:

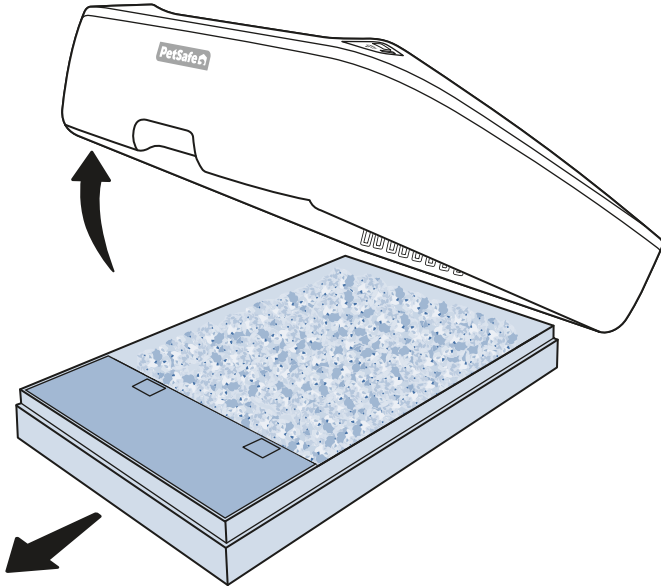
Indicator	Light color	Meaning
Tray life LED	Blue, solid	The litter tray is correctly installed, validated and has been in use for fewer than 50 rake cycles.
	Yellow, solid	The litter tray has been in use for 50 or more rake cycles; it is time to change the litter tray.
	Red, fast blinking	The litter tray is incorrectly installed or invalid. Reinstall or replace with an authentic PetSafe® Crystal Litter Tray.
	Red, slow blinking	The litter tray has been in use for 199 rake cycles; the litter box will no longer rake until the tray is changed. Replace with an authentic PetSafe® Crystal Litter Tray.
 Rake button	Blue, solid	The litter box has power and is functioning normally.
	Blue, fast blinking	The rake is paused. This happens if you press the rake button while the rake is in motion. The rake cycle will resume automatically in 10 minutes; to resume the rake cycle earlier, press the rake button a second time.
	Blue, slow blinking	The rake timer is counting down, or raking is currently in progress.
	Yellow, fast blinking	A sensor was blocked during the rake cycle. Clear any obstructions near the rake and clean the sensors, then press the rake button. The rake should finish the cycle and return to the home position.
	Red, solid	A mechanical error has occurred during the rake cycle, or a sensor has been blocked for 60 minutes or more. Clear any obstructions near the rake and clean the sensors, then unplug the litter box. Wait a few seconds and then plug the litter box back in; the rake should finish the cycle and return to the home position. If the error persists, please contact Customer Care for assistance.

**Important:** Remember to use only authentic PetSafe® ScoopFree® Crystal Litter Trays with your PetSafe® ScoopFree® Crystal Pro Hooded Self-Cleaning Litter Box. PetSafe® ScoopFree® litter is specially designed to work with your litter box; the litter box will not function with other litter trays.

# Change the crystal litter tray

You can expect a litter tray to last 20-30 days for one cat, 10-15 days for two cats, and 7-10 days for three or more cats. When it's time for a change:

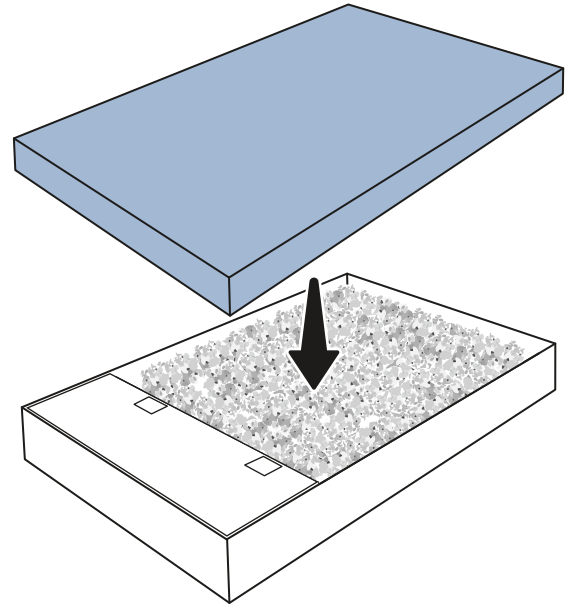
1



Lift the front of the litter box and remove the used litter tray. You may need to remove the privacy hood.

**Important:** See the customer care guide for safety instructions related to cat litter waste and toxoplasmosis.

2



Remove the lid from under the tray and use it to cover the tray for disposal. There's no need to touch the litter.

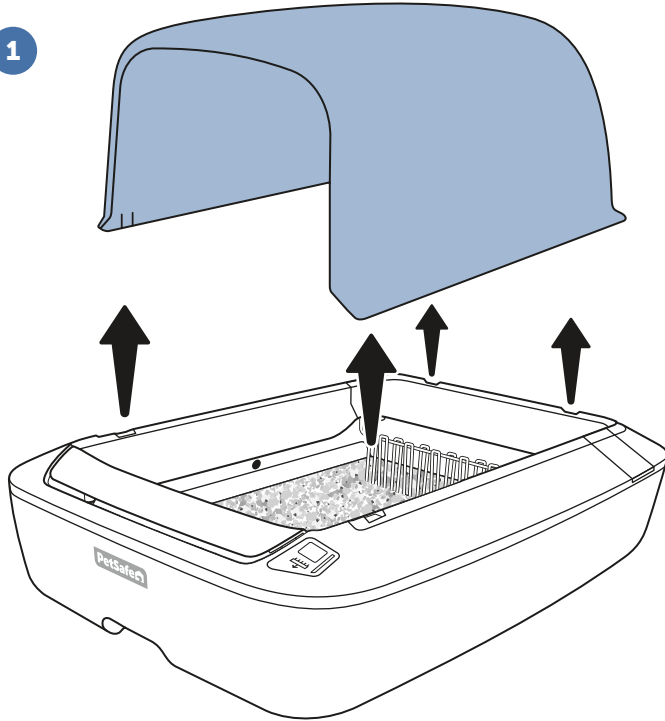
Install a new authentic PetSafe® ScoopFree® Crystal Litter Tray.

**Important:** PetSafe® ScoopFree® litter is specially designed to work with your PetSafe® ScoopFree® Crystal Pro Hooded Self-Cleaning Litter Box; the litter box will not function with other litter trays.

# Clean the litter box

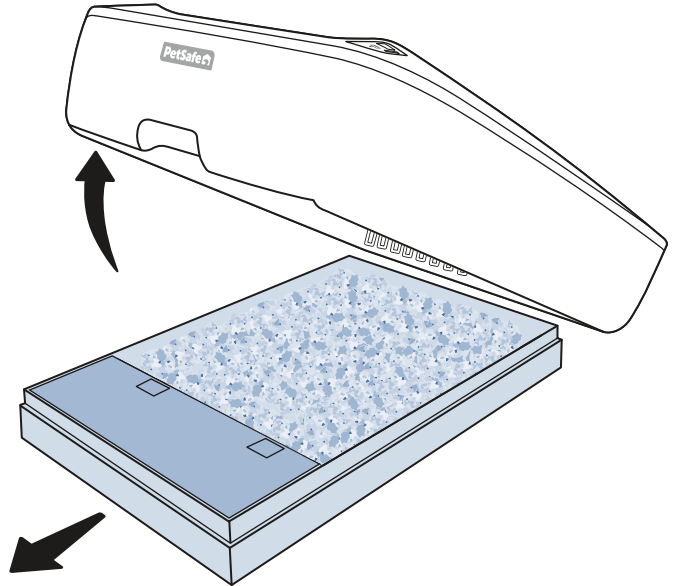
Complete the following steps as needed to keep your litter box clean and raking reliably:

1



Unplug the litter box and remove the privacy hood.

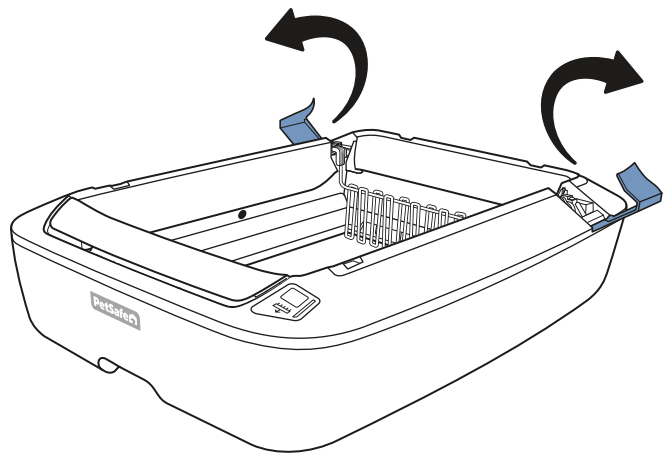
2



Lift the front of the litter box and remove the used litter tray.

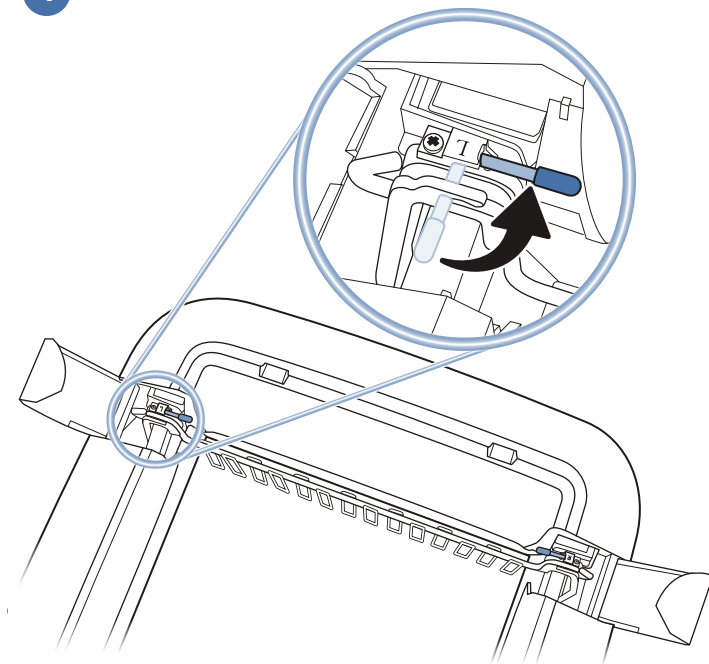
**Important:** See the customer care guide for safety instructions related to cat litter waste and toxoplasmosis

3



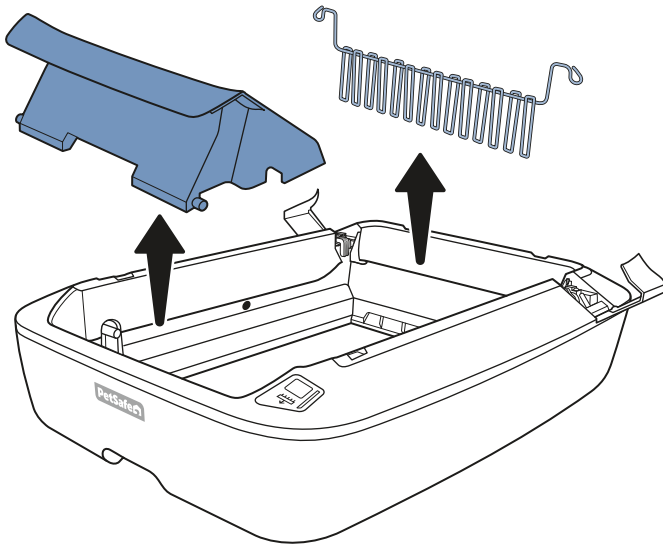
Open the rake covers.

4



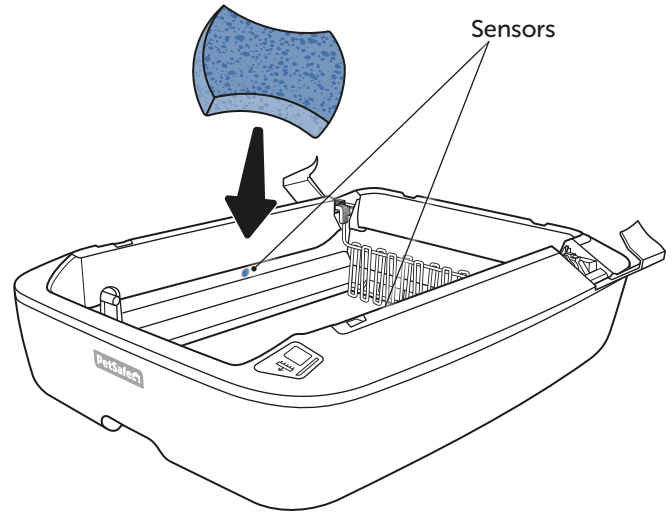
Release the rake by rotating the rake clips toward the back of the litter box.

5



Lift the rake straight up and out of the litter box frame.  
Pull straight up on the waste trap cover to remove it.  
Wash the rake and waste trap cover with warm soapy water  
and then dry thoroughly.

6

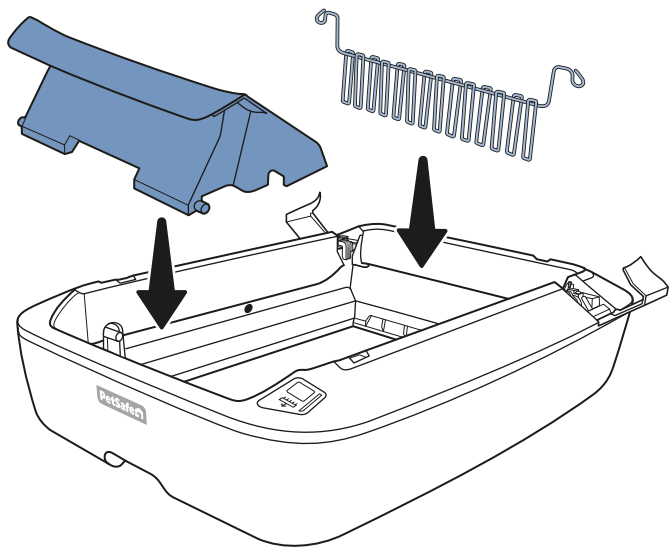


Using a cloth or sponge, mild soap, and water, wipe all surfaces  
of the litter box frame. Make sure both sensors inside the litter  
box frame are clean and unobstructed.

**Important:** Do not use bleach or chemicals to clean; the odor  
may repel your cat.

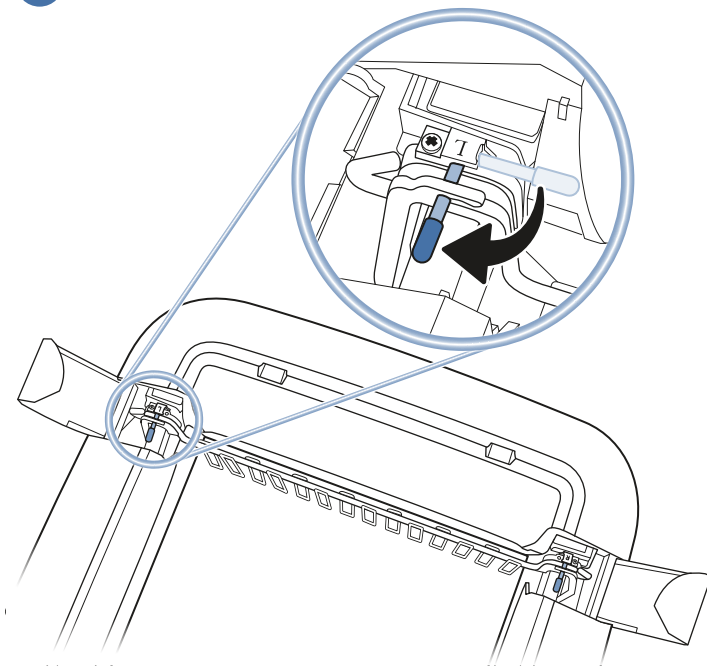
Thoroughly dry all parts.

7



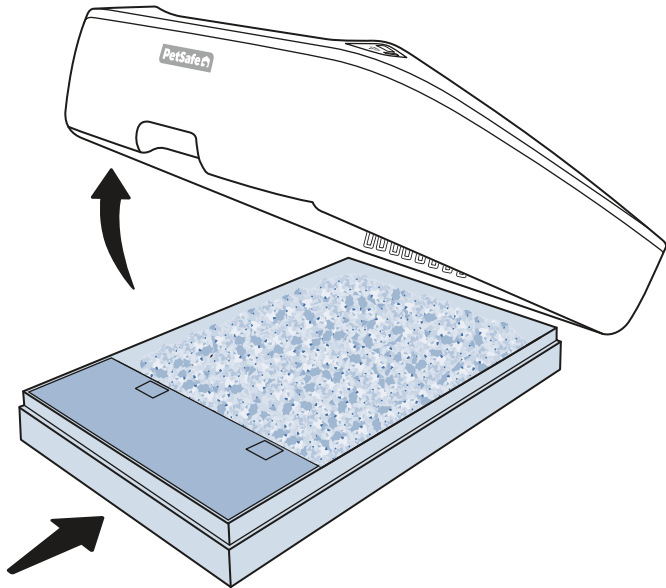
Once all litter box parts are dry, reassemble the litter box.  
Replace the waste trap cover by inserting the posts on the underside of the waste trap cover into the notches inside the front of the litter box frame.  
Replace the rake.

8



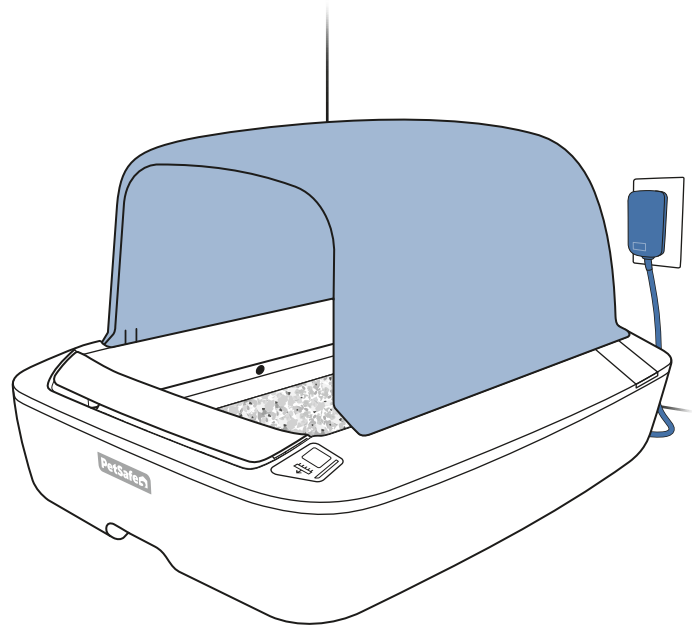
Secure the rake by rotating the rake clips toward the front of the litter box. Close the rake covers.

9



Install a new litter tray.

10



Replace the privacy hood and plug the litter box back in.

# ScoopFree<sup>®</sup> Crystal Pro

## Hooded Self-Cleaning Litter Box



**We're here to help!**

For questions or additional tips:  
[support.petsafe.com](https://support.petsafe.com)

1-Year Limited Warranty | ©2024 Radio Systems Corporation | Models: PAL00-18017 | 400-2626  
For important safety instructions, please see the customer care guide.