



ThermoMate

TANKLESS ELECTRIC WATER HEATER

ET180, ET210, ET240, ET270, ET360

USER MANUAL



READ AND SAVE THESE INSTRUCTIONS

Installer: leave this manual with the homeowner.

Before installing, debugging, using, maintaining and repairing this tankless electric water heater, please take the time to read and understand the installation and safety manual thoroughly and carefully. This manual contains important safety tips and instructions.

Important Information

- This water heater must be grounded.
- This unit should be installed by a qualified electrician or plumber in accordance with Federal, State and local electrical and plumbing codes.
- This water heater is used to provide domestic hot water for household use and can provide multiple outputs.
- Cut off the connection with power supply when the water heater is not used in order to avoid a hazard.
- If it is not used for a long time in winter, drain the water from the the water heater to avoid water frozen which would damage the container. Cut off the power supply before emptying.
- Keep this instructions after installation. You may need it later to get more information and support.
- The ThermoMate and/or distributor is not responsible for any losses resulted from failure to comply with the requirements of this manual and faulty operation, including but not limited to electric leakage, water leakage and other consequences.

Note: This unit has multiple power inputs. Shut off all breakers before Installation and maintenance.



CONTENTS

Important Information01

USER INSTRUCTIONS03

Warning03

Technical Specification04

Operation Instructions04

INSTALLATION INSTRUCTIONS06

Warning06

Product Dimensions08

Mounting Your Water Heater09

Installation Instructions11

Plumbing Installation11

Electrical Installation12

Product Inner Structure19

MAINTENANCE INSTRUCTIONS21

Troubleshooting21

Product Warranty22

USER INSTRUCTIONS

WARNING

- To ensure your own safety and that of others you need to read the installation and user instruction carefully before using the unit for the first time. Failure to comply with the instruction may cause property damage, serious injury or death.
- DO NOT install this unit in a location where it may be subject to freezing temperatures. If the water inside your tankless water heater freezes, it can cause severe and permanent damage that is not covered under the warranty.
- Water temperature over 125°F (52°C) can cause severe scalding. If the set temperature of the unit is too high, there is the possibility of hot water scalding. Children, disabled persons or the elderly in small households may need to set the temperature of the product below 113°F (45°C) in order to prevent possible harm caused by hot water or use after mixing hot and cold water.
- Where children or persons with limited physical, sensory or mental capabilities are to be allowed to control this appliance, ensure that this will only happen under supervision or after appropriate instructions by a person responsible for their safety. Children should be supervised to ensure that they never play with the appliance.
- This unit has more than one power-supply connection point. Disconnect all power supplies before servicing.
- To avoid damage, the unit needs to be kept dry. Keep unit away from direct sunlight, moisture, dust, steam, and other liquids. Do not install this unit in places with water leaks (such as under air conditioning lines that might leak or condense moisture or water pipes).
- The outlet water pipe can get very hot. Make sure that the outlet water pipe is out of the reach of children and insulated.
- This product can only be used to heat water. Do not use it to heat any other liquids.
- Damage caused by water quality is not covered by the warranty.
- Make sure all circuit breakers and disconnect switches are off before installation and maintenance.
- Do not store inflammables and explosives near the water heater.
- The water heater will produce steam or high temperature water and cause severe burns if dry burning without water. Make sure to fill water in water heater. If dry burning happen, disconnect power and water immediately, stop using, and call the service hotline for repair.



- After the water heater installation and using, the user should check and maintain it regularly. If there is any abnormality, the user should stop using it immediately and call the service hotline for repair.
- If any part is soaked in water, it should be inspected or repaired by professionals before use.
- Please do not use damaged wires, aging, loose or non fixed power socket, otherwise will cause electric shock, short circuit, fire and other accidents.
- In case of any abnormal situation of grounding system outside of the product, stop water heater immediately, unplug or disconnect all power supply circuit and call the service hotline for repair.

Technical Specification

Model		ET180		ET210		ET240		ET270		ET360	
Voltage		208V	240V	208V	240V	208V	240V	208V	240V	208V	240V
Watts		13.5kW	18.0kW	15.7kW	21.0kW	18.0kW	24.0kW	20.3kW	27.0kW	27.0kW	36.0kW
Amperage Draw		2x33A	2x38A	3x25A	3x29A	3x29A	3x34A	3x33A	3x38A	4x32A	4x38A
Circuit Breaker (Amps)		2x40	2x40	3x30	3x30	3x30	3x40	3x40	3x40	4x40	4x40
Temp Rise	@1.5GPM	61°F	82°F	71°F	95°F	82°F	109°F	92°F	123°F	123°F	162°F
	@2.25GPM	41°F	54°F	48°F	64°F	54°F	73°F	61°F	82°F	82°F	109°F
	@3.0GPM	31°F	41°F	36°F	48°F	41°F	54°F	46°F	61°F	61°F	84°F
Min. Wire Size (copper)		2x8AWG		3x8AWG		3x8AWG		3x8AWG		4x8AWG	
Min. Water Flow		0.475GPM/1.8L/min									
Water Connection		3/4"NPT									
Phase		Single 60 Hz									
Working Pressure		2.9~87.02PSI									

Note: The temperature rise data is measured under the conditions of inlet water temperature of 37°F(3°C)

Operation Instructions

Power on

When the main power is turned on, the buzzer sounds once, and except the power indicator and display light, the heating indicator light illuminates for three seconds and then goes out. The power indicator light is green, and the heating indicator and display light are red.

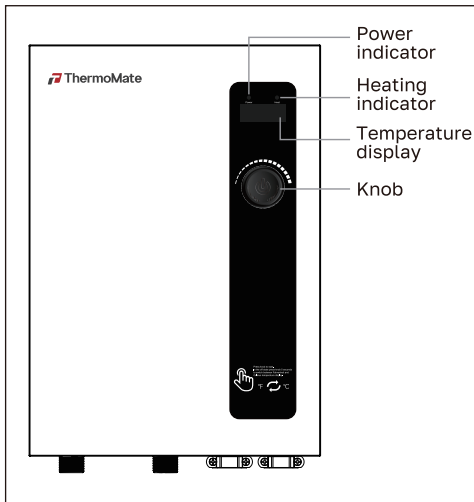
Operation

1. Press the knob (a beep can be heard) to turn on the water heater power, the LED display will turn on showing the actual outlet water temperature. Heating indicator is on red in the state of heating.

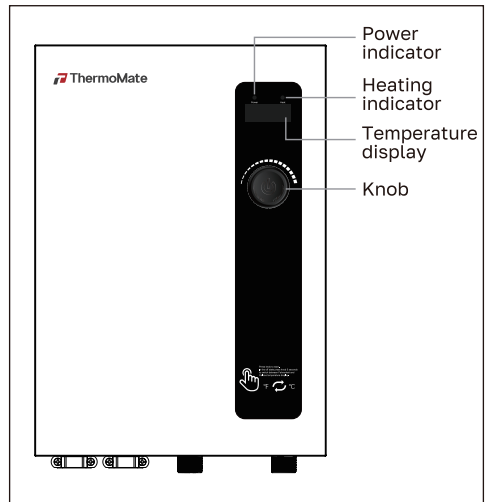
Note: The unit will not work and the heating indicator is not on if there is no water flow, or the water flow does not meet the start-up requirements 1.0L/min-1.8L/min.

2. If the unit is frequently used and the intermediate interval is short, initially a short burst of very hot water from the unit will flow out. Wait a few seconds for the water to cool down to the set temperature before using.

Caution: Regularly clean the inlet filter and the shower head to get enough flow.



ET180/ET210/ET240/ET270



ET360

Temperature control

In the state of heating, the outlet water temperature can be adjusted by turning the knob. Turn the knob clockwise to increase the outlet temperature, and turn the knob counterclockwise to decrease the outlet temperature between 80°F - 140°F (27°C - 60°C).

When the setting temperature is turned to the maximum or minimum, it will not be changed.

Fahrenheit / celsius switch

- The factory set temperature of the unit is in Fahrenheit.
- Fahrenheit/Celsius switching: to switch between Fahrenheit and Celsius display, first press the knob to turn off the device, then long press the knob for 5 seconds, and rotate the knob left or right to set temperature display. After the setting is complete, it will automatically exit the setting state within 5 seconds
- When fahrenheit is displayed, the last text shows F.
- When celsius is displayed, the last text shows C.

Note: When the outlet water temperature reaches 167°F (75°C) the unit will stop heating.



Fahrenheit display



Celsius display

INSTALLATION INSTRUCTIONS

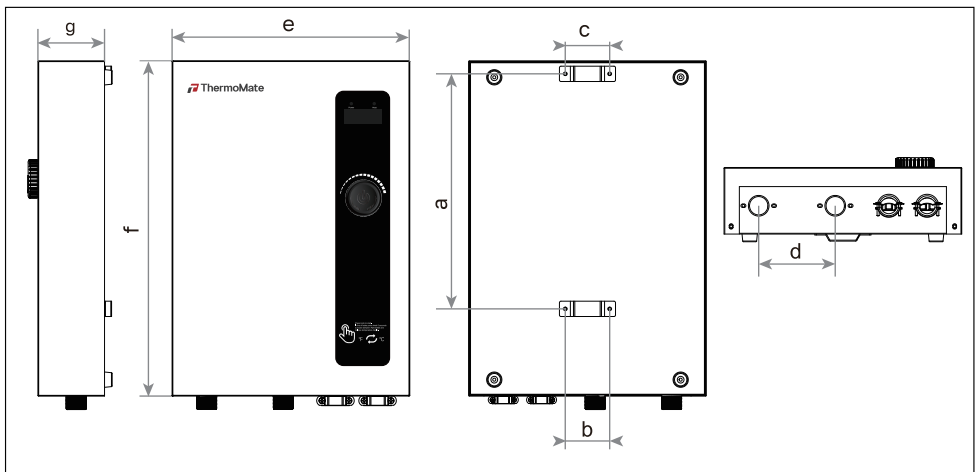
WARNING

- To ensure your own safety and that of others you need to read the installation and user instruction carefully before using the unit for the first time. Failure to comply with the instruction may cause property damage, serious injury or death.
- This unit should be installed by a qualified electrician or plumber in accordance with Federal, State and local electrical and plumbing codes.
- When installing or using any high voltage electrical appliance, basic safety precautions should always be followed.
- DO NOT install this unit in a location where it may be subject to freezing temperatures. If the water inside the tankless water heater freezes, it can cause severe and permanent damage that is not covered under the warranty.
- This unit has more than one power-supply connection point. Disconnect all power supplies before servicing.
- To avoid damage, the unit needs to be kept dry. Keep unit away from direct sunlight, moisture, dust, steam, and other liquids. Do not install this unit in places with water leaks (such as under air conditioning lines that might leak or condense moisture or water pipes) or space with water spray.
- Be sure that the water heater are out of the reach of children so that they cannot adjust the temperature knob at will.
- The outlet water pipe can get very hot. Make sure that the outlet water pipe is out of the reach of children and insulated.

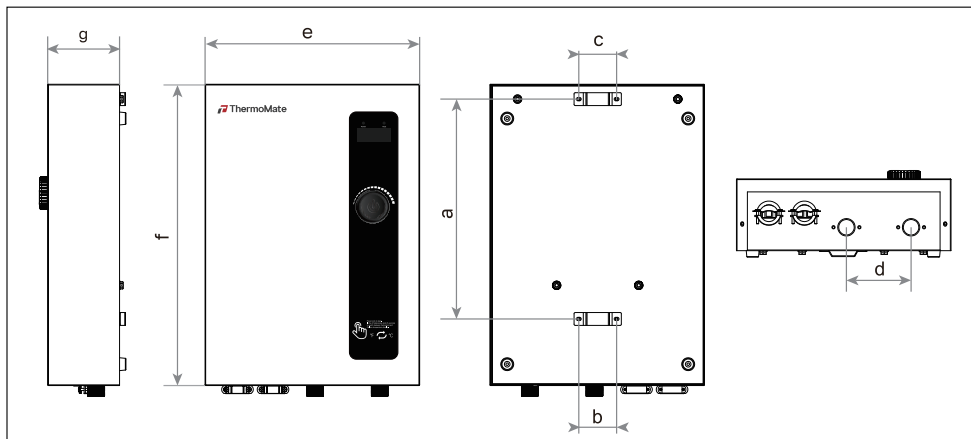
- Damage caused by water quality is not covered by the warranty.
- Make sure all circuit breakers and disconnect switches are off before installation and maintenance.
- Piping that has been treated with boiler seal, chromates, or other chemicals is not allowed to use.
- Special branch circuit shall be used for circuit connection of water heater. Check whether the voltage, circuit breaker, wire diameter, electrical switch, etc. meet the parameter requirements of the water heater, and the connection is reliable
- If the pressure of the inlet water supply system exceeds 150 PSI, a pressure relief valve should be installed between the valve and the water heater. The pressure relief valve must be equipped with a diversion pipe which must be continuously downward. The water overflowing from the drain pipe should be discharged into the floor drain.
- There must be a well drained floor drain near the water heater, and the installation area of the water heater should be able to ensure that the leakage of the water heater or joint will not cause damage to the articles in the adjacent area or the lower layer of the building.
- If installation personnel find that the power supply in the user's home is not standardized, a leakage protector should be installed in the circuit of the water heater.

Attentions: This water heater must be connected to a reliable earth connection at all times, and ground wire and neutral line should be strictly separated.

Product Dimensions



ET180/ET210/ET240/ET270


ET360

Model	ET180/ET210/ET240/ET270	ET360
a	12.09"(307mm)	13.39"(340mm)
b	1.57"(40mm)	1.57"(40mm)
c	1.57"(40mm)	1.57"(40mm)
d	3.94"(100mm)	3.94"(100mm)
e	12.22"(310.5mm)	12.99"(330mm)
f	17.17"(436mm)	18.31"(465mm)
g	3.46"(88mm)	4.41"(112mm)

Mounting Your Water Heater

Before mounting

*** THE UNIT MUST BE INSTALLED BY QUALIFIED ELECTRIC ENGINEER**

1. The wall for installation of the water heater must be firm and solid and can bear four times the weight of the water heater.
2. Indoor installation only. Do not install this water heater near flammable, volatile substances or strong magnetic fields. The unit must be installed in vertical position with water pipe ports downwards.
3. Be sure that the external power harness and air-opening meet the standard requirements.
4. Gloves are required during installation.

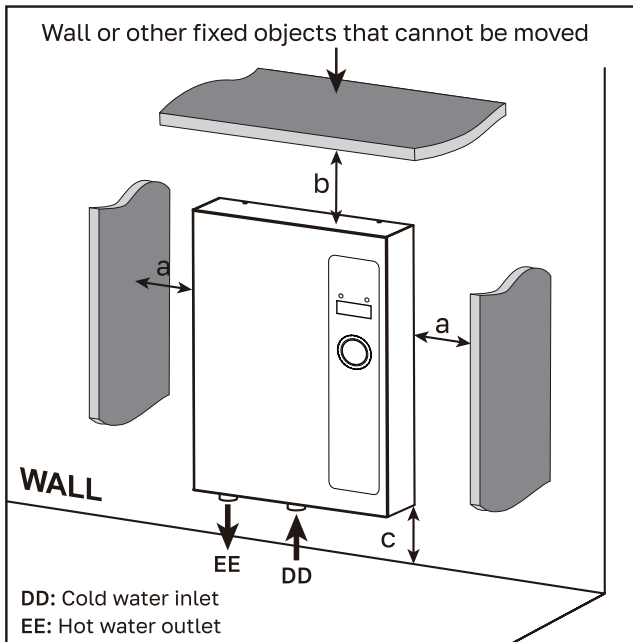
Installation location

There should be a certain space around the machine for installation and future maintenance.

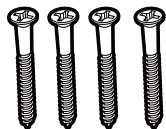
Suggestion: a (side gap): minimum 12" (305mm)

b (top gap): minimum 15" (381mm)

Warning: c (bottom gap): keep a distance out of the reach of children



Accessories contents



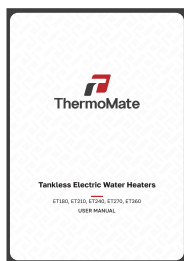
4 Screws ST 4.2*25



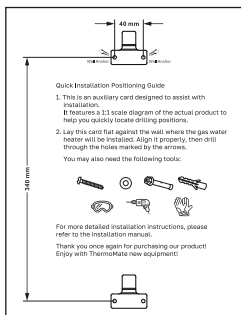
4 Expansion bolts



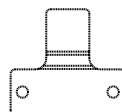
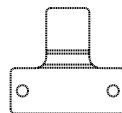
2 Gaskets



1 User manual

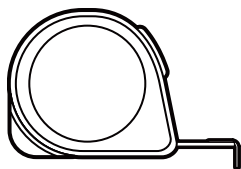


1 Installation template



2 Mounting hook

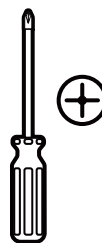
Tools/materials required (not included)



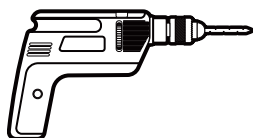
Measuring tape



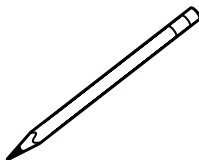
Safety gloves



Phillips screwdriver



Electric drill



Pencil



Slotted screwdriver

Installation Instructions

1. Mark the positions of mounting holes on the wall as the installation template shows (Fig. 1).

Note: For ease of installation and servicing, we recommend that this unit be installed in an upright position.

2. Drill 4 mounting holes (Ø0.24x1.18inch) at the marked position (Fig. 2).
3. Put expansion boltes into the holes (Fig. 2).
4. Fix the 2 mounting brackets with screws and Phillips screw driver (Fig. 3).
5. The water heater gets 2 mounting brackets on the back side, so all you need to do is hang the water heater on those fixed brackets on wall, pull the water heater unit downside to sit it tight(Fig.4)

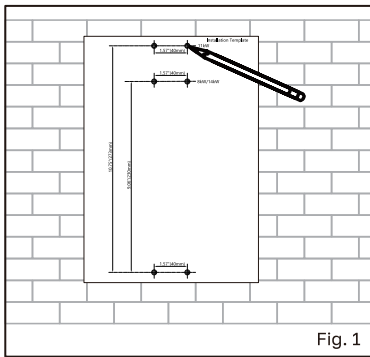


Fig. 1

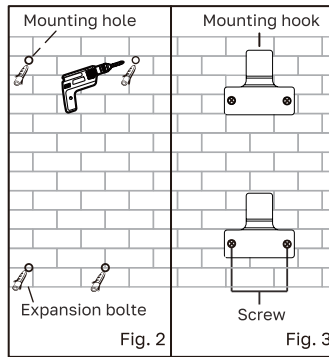


Fig. 2

Fig. 3

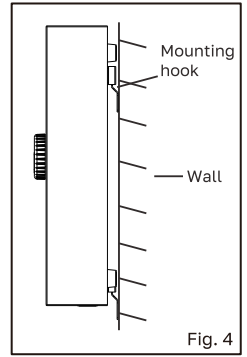


Fig. 4

Note: Make sure that the mounting surface is solid and firm, and ensure that the unit is level.

Plumbing Installation

Caution: The plumbing installation must be completed before the electrical installation.

Warning: It is the responsibility of the Service Person to ensure that the water supply to the equipment is provided with protection against backflow by an air gap as defined in ANSI/ASME A112. 1.2-1979; or an approved vacuum breaker or other such method as proved effective by test.

Warning: Pipe dope or PVC/CPVC primer and glue is not allowed to use on the threads of the outlet and inlet fittings. These chemicals can damage the nipples and cause leaks. Only thread sealing tape can be used.

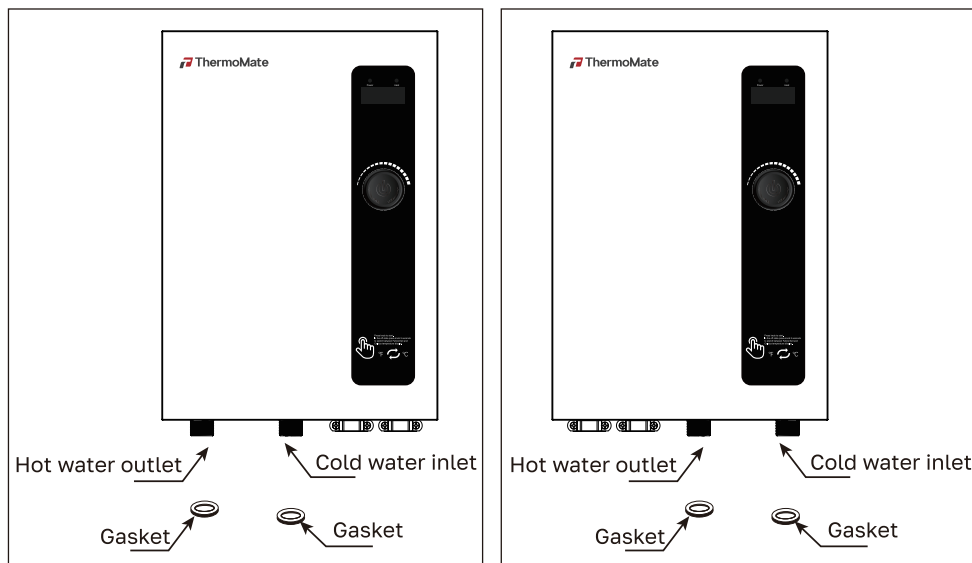
Suggestion: To avoid the property damage caused by leakage (small probability event), the machine needs to be installed in place with floor drain.



Warning: Install a pressure relief valve between valve and unit if the inlet water supply pressure exceeds 87 PSI.

Installation Instructions

1. Put one gasket to outlet, and another one to inlet. Connect the hot water outlet pipe to the outlet nipple on the left side of the unit and the cold water inlet pipe to the inlet nipple on the right side of the unit.



ET180/ET210/ET240/ET270

ET360

2. After tightening both fittings at the unit, open the hot water tap to allow water run through the unit for about 2 to 3 minutes to make sure all the air is discharged from the water lines.

Above steps must be performed before power on.

NOT FOLLOWING ABOVE STEPS CAN CAUSE PERMANENT DAMAGE TO THE HEATING ELEMENTS.

3. Close outlet first and open inlet to check all connections for water leaks.

Electrical installation

Caution: Ensure that you have made the correct connections. You must follow the wire connection as shown below to ensure proper operation of the unit.

Warning: For supply connections use 8AWG(ET180/ET210/ET240/ET270/ET360) or larger wires suitable for at least 167°F (75°C).

Warning: This product has more than one power-supply connection point. Disconnect all power supplies before servicing.

Warning: The overcurrent protective devices are provided as a separate assembly. The water heater shall be used only with this separate assembly.

Warning: Firstly turn on the water and let it to run through the water heater for several minutes, and exhaust all the air in the plumbing. At the same time, check whether there is water leakage at the internal and external water connections of the water heater.

Warning: To avoid a short circuit and damage to the circuit board, make sure all strands are secured inside the terminal block. Before installing the water heater, make sure that your home has enough power to handle the maximum current available for this product.

As with all high-power electrical products, make sure to turn off all power to the product directly at the fuse or breaker box before installing, repairing or disassembling this water heater.

All circuit protection (breakers) and wiring (wire gauge) must conform to the US National Electrical Code (NEC) in USA or Canadian Electrical Code (CEC) in Canada.

Failure to comply with these warnings can lead to risks including fire, electrical shock and/or death and void your warranty.

Before starting electrical installation, make sure that all water pipelines have been installed and the main circuit breaker and power switch have been closed to prevent electric shock.

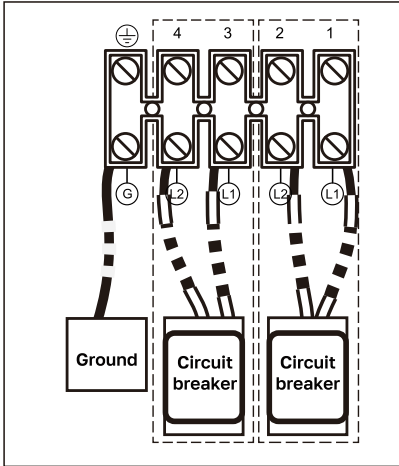
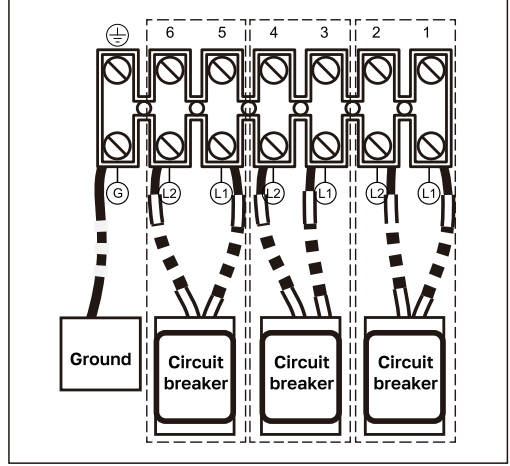
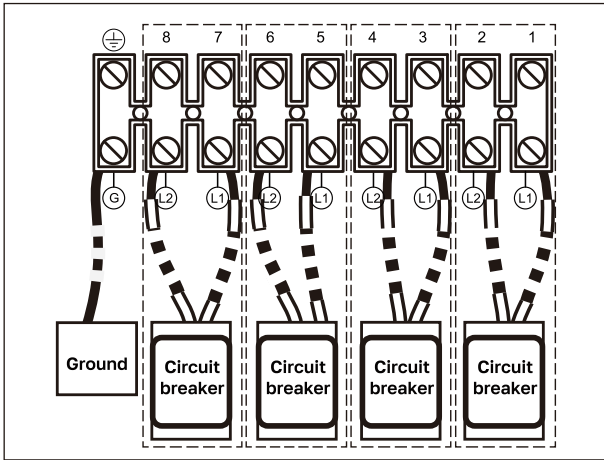
Circuit connection

1. Connect each group of power wires to a circuit breaker in pairs (shown as below). Make sure that each circuit breaker is connected with one group of L1 and L2.

ET180 need double-pole two circuit breakers.

ET210/ET240/ET270 need double-pole three circuit breakers.

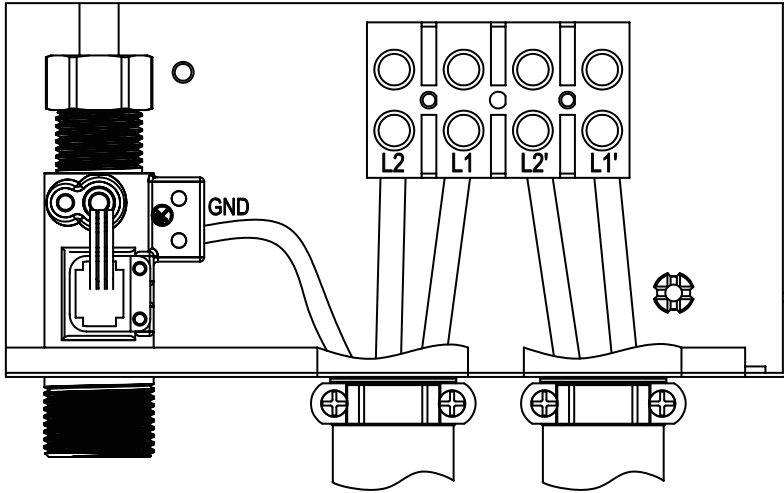
ET360 need double-pole four circuit breakers.

ET180

ET210/ET240/ET270

ET360


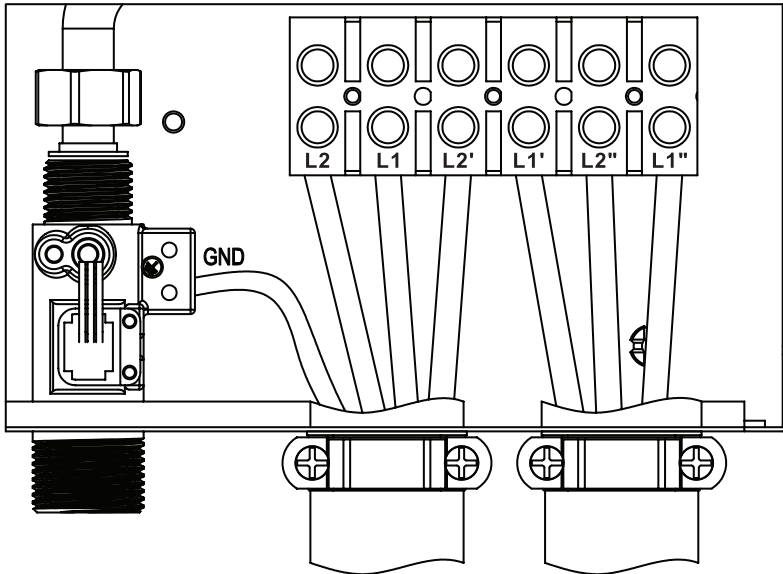
2. When connecting the power cords to the terminal block, make sure that the wire and the electric conductor inside the terminal block are in full contact. Then tighten the screws. If loose, it may cause electrical short circuit and/or the terminal block burn out.
3. Again make sure that the wiring from the main circuit breaker to the water heater is correct. If the wrong wires is connected, the product will not work normally and may cause unexpected danger.
4. Check earth resistance and make sure there is a proper earth continuity.
5. Confirm that all the air has been purged from the water lines prior to turning on power to the unit.

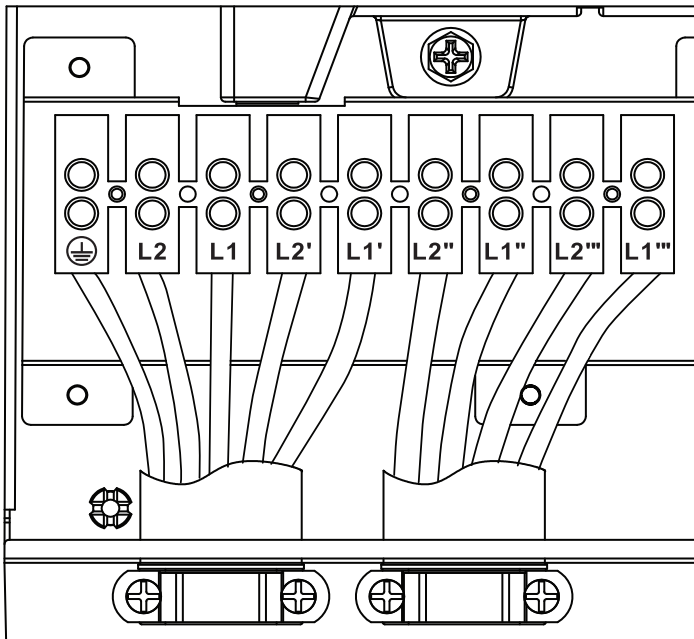
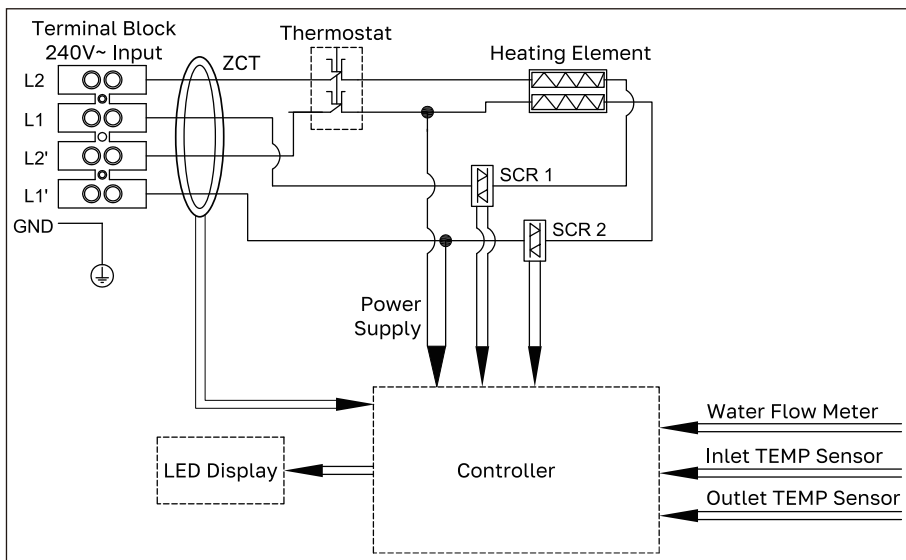
Wiring diagram

ET180

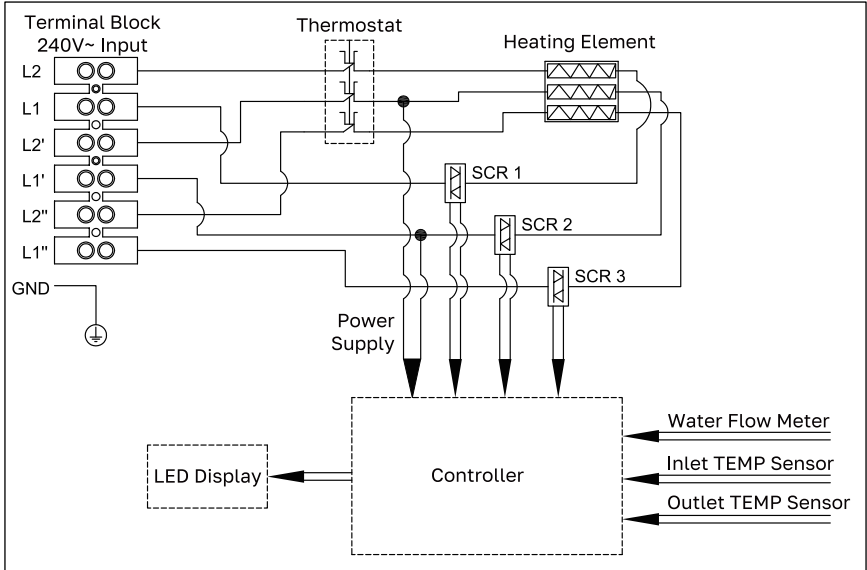


ET210/ET240/ET270

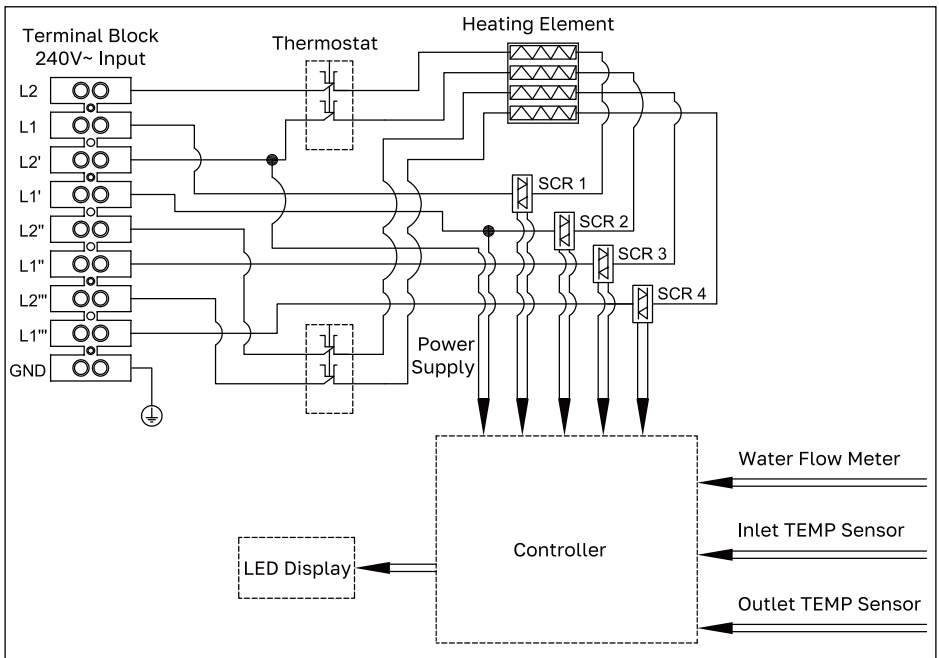


ET360

Circuit diagram
ET180


ET210/ET240/ET270



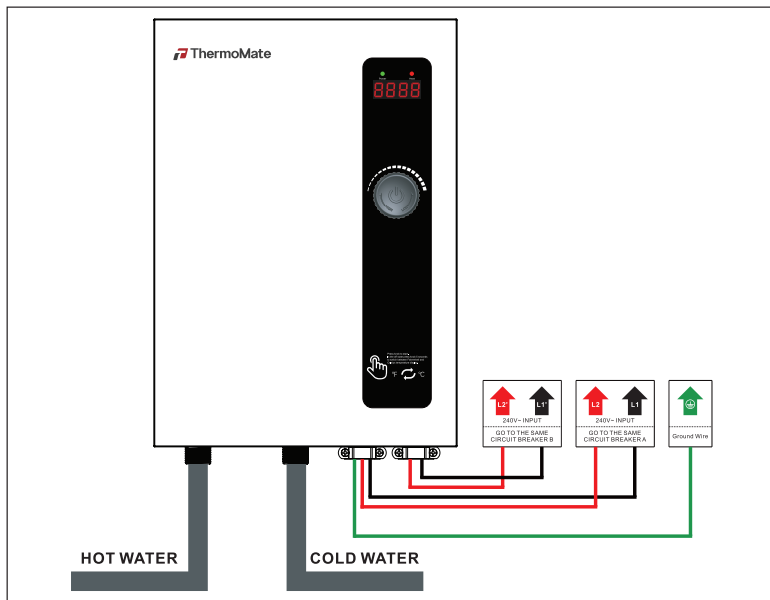
ET360



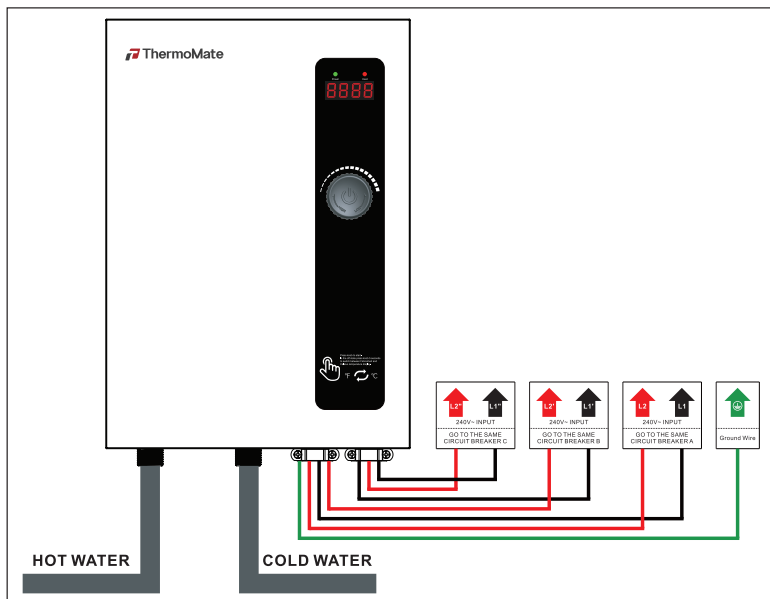


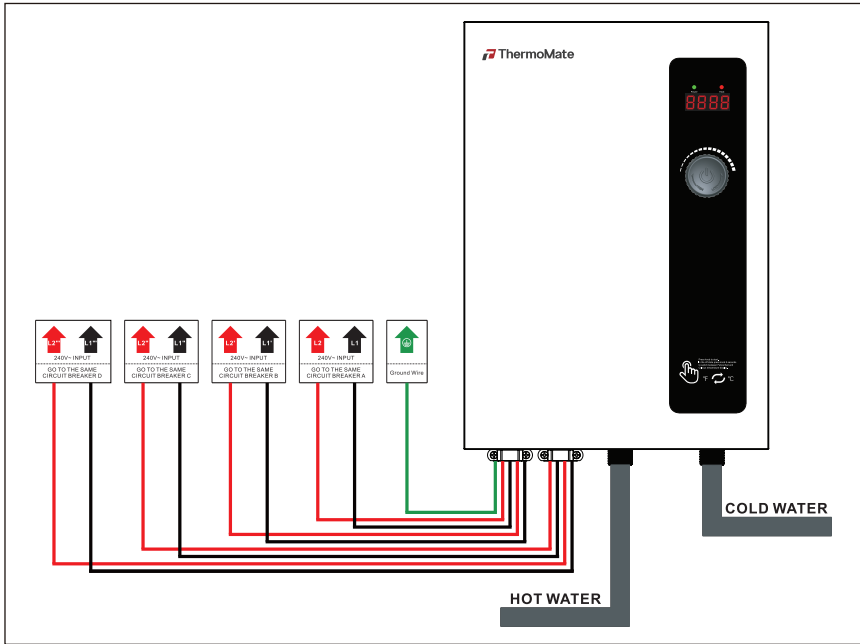
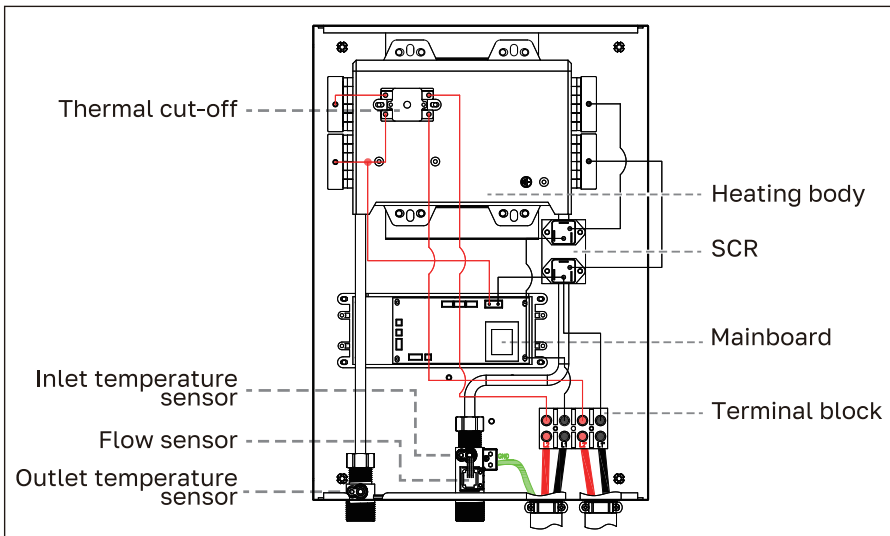
Installation diagram

ET180

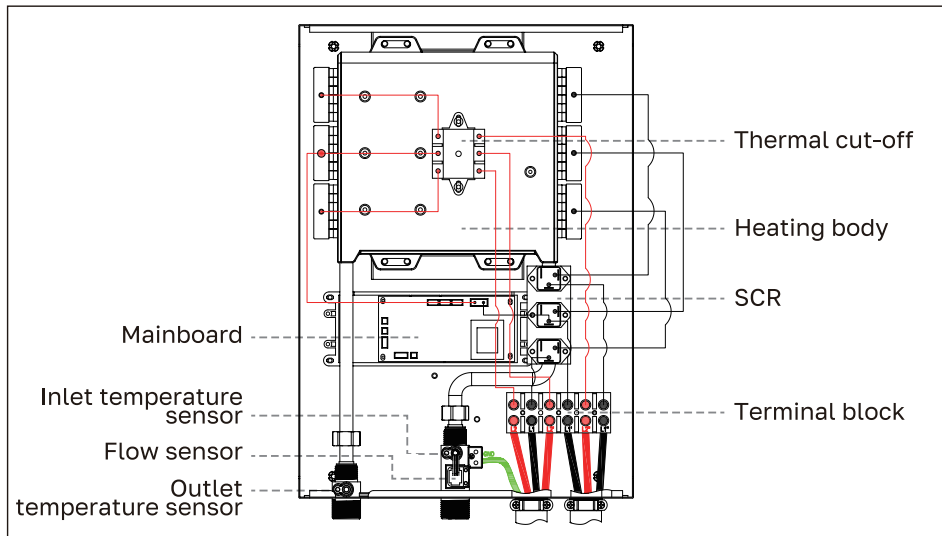


ET210/ET240/ET270

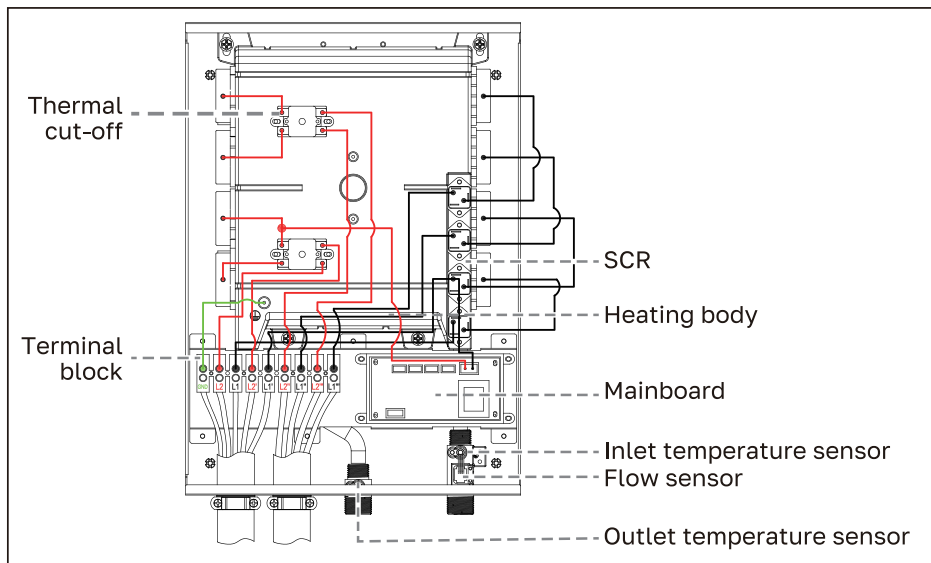


ET360

Product Inner Structure
ET180


ET210/ET240/ET270



ET360



Maintenance Instructions

Troubleshooting

PROBLEM ISSUE	POSSIBLE CAUSE	SOLUTION
Display E1	Leakage of electricity.	Stop using the water heater and let a professional pinpoint the leaking parts.
Display E2	Temperature exceeds 167°F/75°C. (It is a high temperature warning, not a malfunction).	<ol style="list-style-type: none"> 1. Select a lower power level or turn down the temperature. 2. Increase water flow.
Display E3	Water inlet temperature sensor failure.	Check whether the water inlet temperature sensor terminal is effectively plugged into the main board.
Display E4	Water outlet temperature sensor failure.	Check whether the water outlet temperature sensor terminal is effectively plugged into the main board.
Display E5	No over-zero signal-The user's home voltage is low or the grid input voltage abnormal.	<ol style="list-style-type: none"> 1. Check that the voltage meets the installation requirements. 2. There is interference from high-power equipment nearby.
Display EC	Communication failure.	Contact support for assistance.
Water leakage at the inlet and outlet connector.	<ol style="list-style-type: none"> 1. The connector is not installed in place. 2. Seal damage. 	<ol style="list-style-type: none"> 1. Tighten the connector. 2. Replace the seal.
The unit does not work	Incorrect power wiring connection or no power.	<ol style="list-style-type: none"> 1. Make sure that the main circuit breakers that supply the water heater is on. 2. The unit may be wired error. 3. There may be a problem with the circuit breaker. 4. Contact local dealer.
Water heater is no heating at all	<ol style="list-style-type: none"> 1. No water flow 2. The flow too small to start up the unit. 3. Control board failure. 	<ol style="list-style-type: none"> 1a. Check the water supply channel; 1b. Clean filter at unit; 1c. Clean faucet aerator or shower head. 2. Increase water flow. 3. Cut off the power and contact local dealer.
Water heater is working but the outlet temperature is not hot enough.	<ol style="list-style-type: none"> 1. Low setting temperature 2. Excessive water flow 3. Faulty wiring 4. Voltage too low. 5. Temperature sensor failure. 6. Heating element damaged. 	<ol style="list-style-type: none"> 1. Turn up the setting temperature. 2. Reduce water flow. 3. If occurs in the first installation, please let the electrician check the wiring carefully. The wiring may be incorrect. Otherwise contact local dealer. 4. Check the power supply. 5. Replace temperature sensor. 6. Replace heating element.
Water heater is heating but the outlet temperature is too hot.	<ol style="list-style-type: none"> 1. Temperature set too high. 2. Low water flow 3. PCB failure 	<ol style="list-style-type: none"> 1. Turn down the setting temperature 2. Increase water flow 3. Cut off the power and contact local dealer.
The outlet flow is reduced.	Inlet filter, shower or faucet dogged.	Clean them



Product Warranty

ThermoMate warrants this water heater to be free of defects in material and/or workmanship for a period of two (2) years commencing on the day on which the product is purchased. During this 2-year warranty period, we will at our option, at no charge to the customer, repair or replace this product if found defective, with a new or reconditioned product, but not to include costs of removal or installation. Warranty services provided shall neither prolong the warranty period nor initiate a new warranty period. All return goods must be shipped with transportation charges prepaid.

This warranty shall not cover errors due to improper installation or incorrect usage, incorrect operating conditions or defective maintenance or repair work. Normal wear and tear such as lime scaling shall also be excluded under this warranty. The warranty will not be valid if the problem is caused by extreme values of drinking water.

This warranty shall not include compensation, withdrawal from the agreement, reduction in price or any reimbursement for consequential loss due to defects.

The owner and not the ThermoMate nor his agent/representative shall be liable for and shall pay for all field charges for labor or other expenses incurred in the removal and/or repair of the water heater or any expense incurred by the Owner in order to repair the water heater.

FRANÇAIS

LISEZ CES INSTRUCTIONS ET CONSERVEZ-LES

Installateur: laissez ce manuel au propriétaire.

Avant d'installer, de déboguer, d'utiliser, d'entretenir et de réparer ce chauffe-eau électrique instantané, veuillez prendre le temps de lire et de comprendre entièrement et attentivement le manuel d'installation et de sécurité. Le présent manuel contient d'importants conseils et instructions de sécurité.

Information importante

- Ce chauffe-eau doit être mis à la terre.
- Cet appareil doit être installé par un électricien ou un plombier qualifié conformément aux codes fédéraux, provinciaux et locaux de l'électricité et de la plomberie.
- Ce chauffe-eau est utilisé pour fournir de l'eau chaude sanitaire pour les besoins ménagers et peut fournir plusieurs sorties.
- Coupez la connexion avec l'alimentation électrique lorsque le chauffe-eau n'est pas utilisé afin d'éviter tout danger.
- S'il n'est pas utilisé pendant une longue période en hiver, videz l'eau du chauffe-eau pour éviter que l'eau ne gèle, ce qui pourrait endommager le récipient. Coupez l'alimentation électrique avant de vider.
- Conservez ces instructions après l'installation. Vous en aurez besoin peut-être plus tard pour obtenir plus d'informations et de support.
- Le ThermoMate et/ou le distributeur ne sont pas responsables des pertes résultant du non-respect des exigences de ce manuel et d'un fonctionnement défectueux, y compris, mais sans s'y limiter, les fuites électriques, les fuites d'eau et d'autres conséquences.

Remarque: Cet appareil dispose de plusieurs entrées d'alimentation. Coupez tous les disjoncteurs avant l'installation et la maintenance.

CONTENU

Information importante	23
INSTRUCTIONS D'UTILISATION	25
Avertissement	25
Spécifications techniques	26
Instructions d'utilisation	27
INSTRUCTIONS D'INSTALLATION	28
Avertissement	28
Dimensions du produit	30
Montage de votre chauffe-eau	31
Instructions d'installation	33
Installation de plomberie	33
Installation électrique	35
Structure interne du produit	42
CONSIGNES D'ENTRETIEN	44
Dépannage	44
Garantie du produit	45

INSTRUCTIONS D'UTILISATION

AVERTISSEMENT

- Pour assurer votre propre sécurité et celle des autres, vous devez lire attentivement les instructions d'installation et d'utilisation avant d'utiliser l'appareil pour la première fois. Le non-respect de ces instructions peut entraîner des dommages matériels, des blessures graves ou la mort.
- N'installez PAS cet appareil dans un endroit où il pourrait être soumis à des températures glaciales. Si l'eau à l'intérieur de votre chauffe-eau instantané gèle, cela peut causer des dommages graves et permanents qui ne sont pas couverts par la garantie.
- Une température de l'eau supérieure à 52°C (125°F) peut provoquer de graves brûlures. Si la température de consigne de l'appareil est trop élevée, il y a un risque de brûlure à l'eau bouillante. Les enfants, les personnes handicapées ou les personnes âgées des petits ménages pourraient avoir besoin de régler la température du produit en dessous de 45°C (113°F) afin d'éviter tout dommage causé par l'eau chaude ou l'utilisation après avoir mélangé de l'eau chaude et froide.
- Lorsque des enfants ou des personnes ayant des capacités physiques, sensorielles ou mentales limitées doivent être autorisés à contrôler cet appareil, assurez-vous que cela ne se produira que sous la surveillance ou après les instructions appropriées d'une personne responsable de leur sécurité. Les enfants doivent être surveillés pour s'assurer qu'ils ne jouent jamais avec l'appareil.
- Cet appareil possède plusieurs points de connexion d'alimentation. Débranchez toutes les alimentations électriques avant tout entretien.
- Pour éviter tout dommage, l'appareil doit être maintenue au sec. Tenez l'appareil à l'écart de la lumière directe du soleil, de l'humidité, de la poussière, de la vapeur et d'autres liquides. N'installez pas cet appareil dans des endroits présentant des fuites d'eau (comme sous des conduites de climatisation susceptibles de fuir ou de condenser de l'humidité ou des conduites d'eau).
- Le tuyau de sortie d'eau peut devenir très chaude. Assurez-vous que le tuyau de sortie d'eau est hors de portée des enfants et isolé.
- Ce produit ne peut être utilisé que pour chauffer de l'eau. Ne l'utilisez pas pour chauffer d'autres liquides.
- Les dommages causés par la qualité de l'eau ne sont pas couverts par la garantie.
- Assurez-vous que tous les disjoncteurs et interrupteurs d'isolement sont éteints avant l'installation et l'entretien.
- Ne stockez pas de produits inflammables ni d'explosifs à proximité du chauffe-eau.



- Le chauffe-eau produira de la vapeur ou de l'eau à haute température et provoquera de graves brûlures s'il brûle à sec sans eau. Assurez-vous de remplir l'eau dans le chauffe-eau. En cas de brûlure à sec, débranchez immédiatement l'alimentation et l'eau, arrêtez d'utiliser et appelez le service d'assistance pour réparation.
- Après l'installation et l'utilisation du chauffe-eau, l'utilisateur doit le vérifier et l'entretenir régulièrement. En cas d'anomalie, l'utilisateur doit immédiatement cesser de l'utiliser et appeler le service d'assistance pour réparation.
- Si une pièce est trempée dans l'eau, elle doit être inspectée ou réparée par des professionnels avant toute utilisation.
- Veuillez ne pas utiliser de fils endommagés, vieux, de prise de courant desserrée ou pas fixe, sinon cela provoquera un choc électrique, un court-circuit, un incendie et bien d'autres accidents.
- En cas de situation anormale du système de mise à terre à l'extérieur du produit, arrêtez immédiatement le chauffe-eau, ou débranchez tout le circuit d'alimentation électrique et appelez le service d'assistance pour réparation.

Spécifications Techniques

Modèle		ET180		ET210		ET240		ET270		ET360	
Tension		208V	240V	208V	240V	208V	240V	208V	240V	208V	240V
Watts		13,5kW	18,0kW	15,7kW	21,0kW	18,0kW	24,0kW	20,3kW	27,0kW	27,0kW	36,0kW
Intensité du courant		2x33A	2x38A	3x25A	3x29A	3x29A	3x34A	3x33A	3x38A	4x32A	4x38A
Disjoncteur (ampères)		2x40	2x40	3x30	3x30	3x30	3x40	3x40	3x40	4x40	4x40
Augmentation de la température	@1,5GPM	61°F	82°F	71°F	95°F	82°F	109°F	92°F	123°F	123°F	162°F
	@2,25GPM	41°F	54°F	48°F	64°F	54°F	73°F	61°F	82°F	82°F	109°F
	@3,0GPM	31°F	41°F	36°F	48°F	41°F	54°F	46°F	61°F	61°F	84°F
Min. Taille du fil (cuivre)		2x8AWG		3x8AWG		3x8AWG		3x8AWG		4x8AWG	
Min. L'écoulement de l'eau		0,475GPM/1,8L/min									
Raccordement d'eau		3/4" NPT									
Phase		Single 60 Hz									
Pression de service		2,9~87,02PSI									

Remarque: les données d'élévation de température sont mesurées dans des conditions de température de l'eau d'entrée de 3°C(37°F)

Instructions d'utilisation

Allumer

Lorsque les principales sources d'alimentation sont activées, l'alerte sonore émet un bip et tous les voyants s'allument pendant trois secondes, puis s'éteignent sauf le voyant d'alimentation. Le voyant d'alimentation est vert, le voyant de chauffage et l'écran d'affichage ne sont pas allumés.

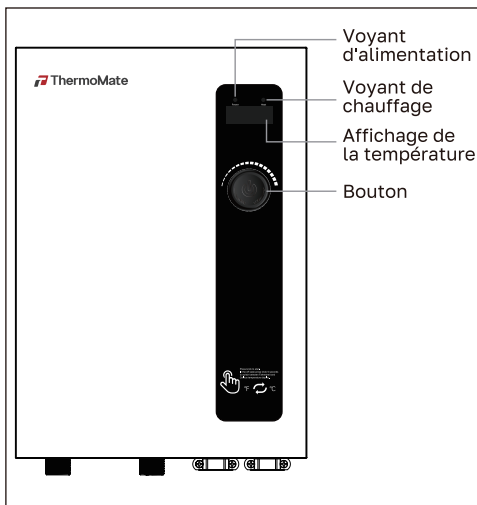
Fonctionnement

1. Appuyez sur le bouton (un bip peut être entendu) pour allumer le chauffe-eau, l'affichage LED s'allumera pour indiquer la température réelle de l'eau de sortie. Le voyant de chauffage est allumé en rouge en état de chauffage.

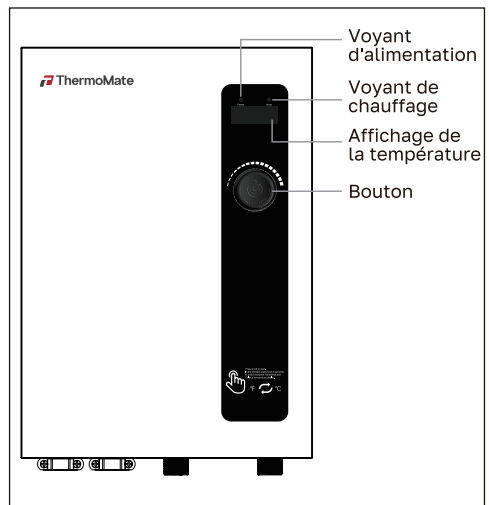
Remarque: l'appareil ne fonctionnera pas et le voyant de chauffage n'est pas allumé s'il n'y a pas de débit d'eau ou si le débit d'eau ne répond pas aux exigences de démarrage 1,0L/min-1,8L/min.

2. Si l'appareil est fréquemment utilisé et que l'intervalle intermédiaire est court, une courte rafale d'eau très chaude s'écoulera de l'appareil. Attendez quelques secondes que l'eau se refroidisse à la température réglée avant de l'utiliser.

Attention: nettoyez régulièrement le filtre d'entrée et la pomme de douche pour obtenir un débit suffisant.



ET180/ET210/ET240/ET270



ET360

Contrôle de la température

En état de chauffage, la température de l'eau de sortie peut être réglée en tournant le bouton. Tournez le bouton dans le sens des aiguilles d'une montre pour augmenter la température de sortie, et tournez le bouton dans le sens inverse des aiguilles d'une montre pour diminuer la température de sortie entre 27°C et 60°C (80°F - 140°F).

Lorsque la température de réglage est réglée au maximum ou au minimum, elle ne sera pas modifiée.

Commutateur Fahrenheit / Celsius

- La température réglée par le fabricant de l'appareil est en Fahrenheit.
- En état de chauffage, appuyez sur le bouton pendant 5 secondes, l'affichage basculera entre Fahrenheit et Celsius.
- Lorsque Fahrenheit s'affiche, le dernier texte indique F.
- Lorsque Celsius est affiché, le dernier texte indique C.

Remarque: Lorsque la température de l'eau de sortie atteint 75°C (167°F), l'appareil arrête de chauffer.

Affichage Fahrenheit

Affichage Celsius

INSTRUCTIONS D'INSTALLATION

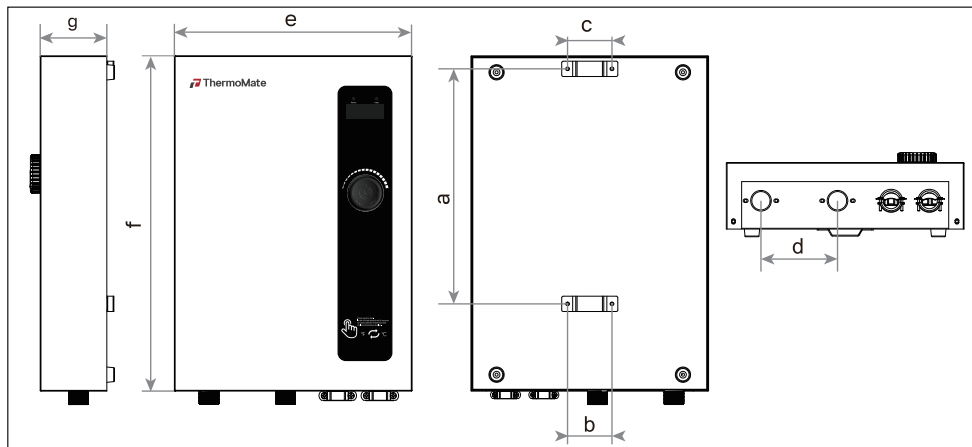
AVERTISSEMENT

- Pour assurer votre propre sécurité et celle des autres, vous devez lire attentivement les instructions d'installation et d'utilisation avant d'utiliser l'appareil pour la première fois. Le non-respect de ces instructions peut entraîner des dommages matériels, des blessures graves ou la mort.
- Cet appareil doit être installé par un électricien ou un plombier qualifié conformément aux codes fédéraux, provinciaux et locaux de l'électricité et de la plomberie.
- Lors de l'installation ou de l'utilisation de tout appareil électrique haute tension, des précautions de sécurité de base doivent toujours être suivies.

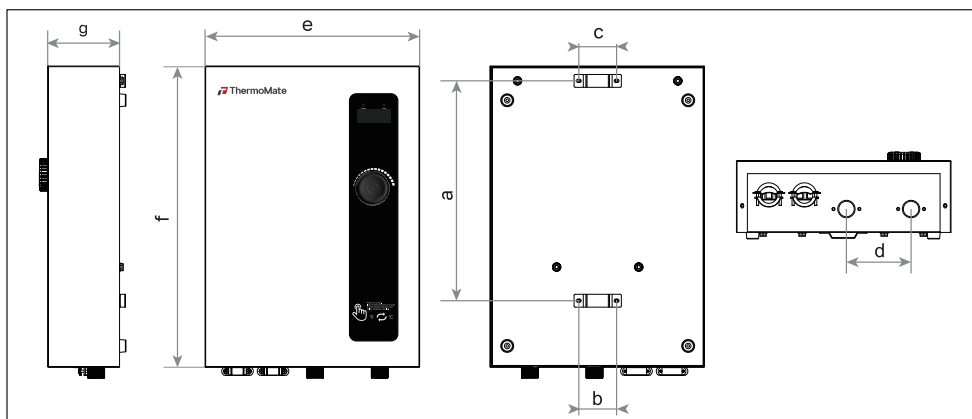
- N'installez PAS cet appareil dans un endroit où il pourrait être soumis à des températures glaciales. Si l'eau à l'intérieur du chauffe-eau instantané gèle, cela peut causer des dommages graves et permanents qui ne sont pas couverts par la garantie.
- Cet appareil possède plusieurs points de connexion d'alimentation. Débranchez toutes les alimentations électriques avant tout entretien.
- Pour éviter tout dommage, l'appareil doit être maintenue au sec. Tenez l'appareil à l'écart de la lumière directe du soleil, de l'humidité, de la poussière, de la vapeur et d'autres liquides. N'installez pas cet appareil dans des endroits présentant des fuites d'eau (comme sous des conduites de climatisation qui pourraient laisser passer ou condenser de l'humidité des conduites d'eau) ou dans un espace avec de l'eau pulvérisée.
- Assurez-vous que le chauffe-eau est hors de portée des enfants afin qu'ils ne puissent pas régler le bouton de température à volonté.
- Le tuyau de sortie d'eau peut devenir très chaude. Assurez-vous que le tuyau de sortie d'eau est hors de portée des enfants et isolé.
- Les dommages causés par la qualité de l'eau ne sont pas couverts par la garantie.
- Assurez-vous que tous les disjoncteurs et interrupteurs d'isolement sont éteints avant l'installation et l'entretien.
- La tuyauterie qui a été traitée avec un joint de chaudière, des chromates ou d'autres produits chimiques n'est pas autorisée à utiliser.
- Un circuit de dérivation spécial doit être utilisé pour le raccordement du circuit du chauffe-eau. Vérifiez si la tension, le disjoncteur, le diamètre du fil, l'interrupteur électrique, etc. répondent aux exigences des paramètres du chauffe-eau et que la connexion est fiable.
- Si la pression du système d'alimentation en eau d'entrée dépasse 150 PSI, une soupape de surpression doit être installée entre la soupape et le chauffe-eau. La soupape de surpression doit être équipée d'un tuyau de dérivation qui doit être continuellement vers le bas. L'eau qui déborde du tuyau de vidange doit être évacuée dans le siphon de sol.
- Il doit y avoir un siphon de sol près du chauffe-eau et la zone d'installation du chauffe-eau doit être en mesure de garantir que la fuite du chauffe-eau ou du joint n'endommagera pas les articles dans la zone adjacente ou la couche du bâtiment.
- Si le personnel d'installation constate que l'alimentation électrique du domicile de l'utilisateur n'est pas normalisée, un protecteur de fuite doit être installé dans le circuit du chauffe-eau.

Attention: Ce chauffe-eau doit être connecté à une connexion de terre fiable à tout moment, et le fil de terre et la ligne neutre doivent être strictement séparé.

Dimensions du produit



ET180/ET210/ET240/ET270



ET360

Modèle	ET180/ET210/ET240/ET270	ET360
a	307mm(12,09")	340mm(13,39")
b	40mm(1,57")	40mm(1,57")
c	40mm(1,57")	40mm(1,57")
d	100mm(3,94")	100mm(3,94")
e	310.5mm(12,22")	330mm(12,99")
f	436mm(17,17")	465mm(18,31")
g	88mm(3,46")	112mm(4,41")

Montage de votre chauffe-eau

Avant le montage

*** L'APPAREIL DOIT ÊTRE INSTALLÉ PAR UN INGÉNIEUR ÉLECTRIQUE QUALIFIÉ**

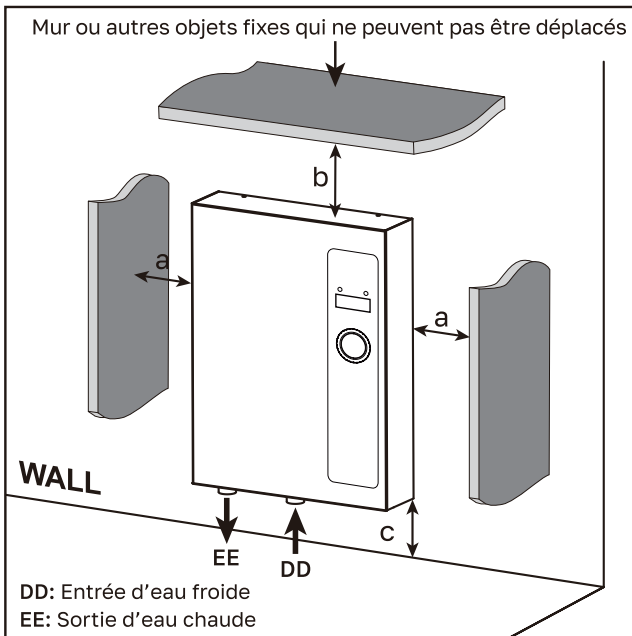
1. Le mur pour l'installation du chauffe-eau doit être ferme et solide et peut supporter quatre fois le poids du chauffe-eau.
2. Installation à l'intérieur uniquement. N'installez pas ce chauffe-eau à proximité de substances inflammables et volatiles ou de champs magnétiques puissants. L'appareil doit être installé en position verticale avec les orifices de tuyaux d'eau vers le bas.
3. Assurez-vous que le faisceau d'alimentation externe et l'ouverture d'air répondent aux exigences standard.
4. Les gants sont requis lors de l'installation.

Emplacement d'installation

Il doit y avoir un certain espace autour de la machine pour l'installation et la maintenance future.

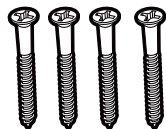
Suggestion: a (écart latéral) : minimum 305mm (12")
b (écart supérieur) : minimum 381mm (15")

Avertissement: c (espace inférieur) : gardez une distance hors portée des enfants





Contenu des accessoires



4 Vis ST 4.2*25



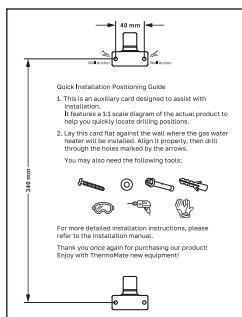
4 Boulons d'expansion



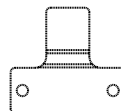
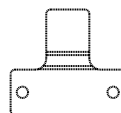
2 Joints



1 Manuel d'utilisation

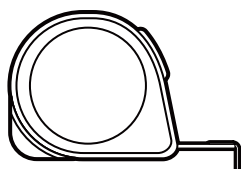


1 Modèle d'installation



2 Crochet de montage

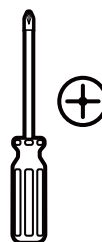
Outils/matériaux requis (non inclus)



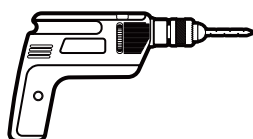
Mètre ruban



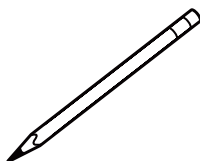
Gants de sécurité



tournevis cruciforme



Perceuse électrique



Crayon



Slotted screwdriver

Instructions d'installation

1. Marquez les positions des trous de montage sur le mur comme le montre le modèle d'installation (Fig.1).

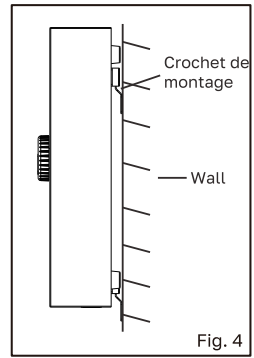
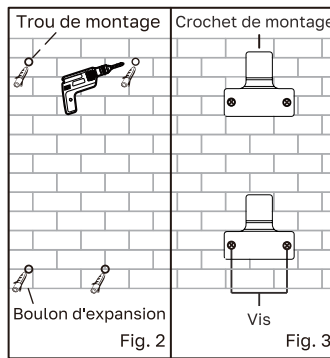
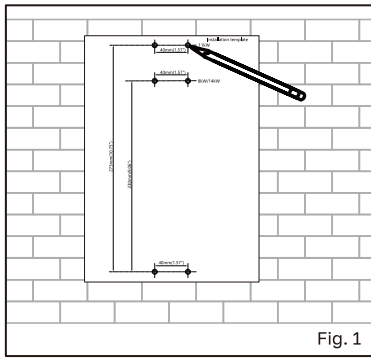
Remarque: pour faciliter l'installation et l'entretien, nous recommandons que cet appareil soit installé en position verticale avec les raccords d'eau d'entrée et de sortie en bas.

2. Percez 4 trous de montage ($\varnothing 6 \times 32 \text{ mm}$) à la position marquée (Fig.2).

3. Placez les boulons d'expansion dans les trous (Fig.2).

4. Fixation de 2 supports de montage avec vis et tournevis Phillips (Fig.3).

5. Il y a deux supports de montage à l'arrière du chauffe - eau, donc tout ce que vous avez à faire est d'accrocher le chauffe - eau à un support fixe sur le mur et de le tirer vers le bas pour qu'il soit fixe (Fig.4).



Remarque: assurez-vous que la surface de montage est solide et ferme.

Installation de plomberie

Attention: L'installation de plomberie doit être terminée avant l'installation électrique.

Avertissement: Il est de la responsabilité du technicien de service de s'assurer que l'alimentation en eau de l'équipement est protégée contre le refoulement par un entrefer tel que défini dans la norme ANSI/ASME A112.1.2-1979; ou un casse-vide approuvé ou une autre méthode similaire dont l'efficacité a été prouvée par un essai.

Avertissement: L'utilisation de la colle pour tuyaux ou de l'apprêt et de la colle PVC/CPVC n'est pas autorisée sur les filetages des raccords de sortie et d'entrée. Ces produits chimiques peuvent endommager les bouchons et provoquer des fuites. Seul le ruban d'étanchéité pour filetage peut être utilisé.

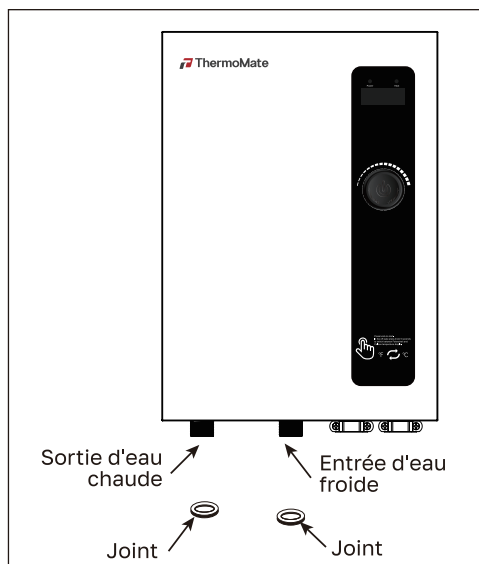
Suggestion: Pour éviter les dommages matériels causés par une fuite (événement de faible probabilité), la machine doit être installée avec un siphon de sol.

Suggestion: Installez une vanne (non incluse) sur le tuyau d'entrée pour un entretien futur.

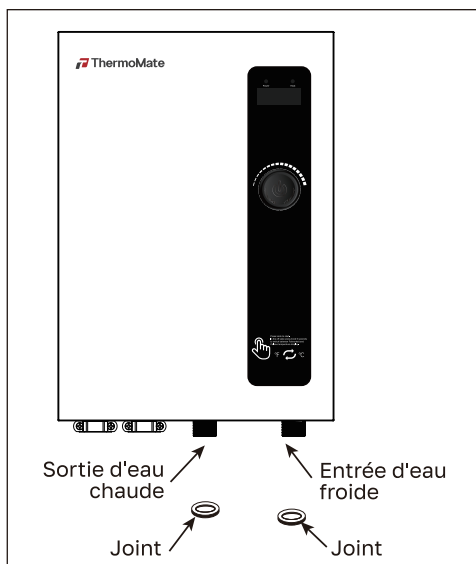
Avertissement: Installez une soupape de surpression entre la soupape et l'appareil si la pression d'alimentation en eau d'entrée dépasse 150 PSI.

Instructions d'installation

1. Mettez un joint à la sortie et un autre à l'entrée. Connectez le tuyau de sortie d'eau chaude au bouchon de sortie sur le côté gauche de l'appareil et le tuyau d'entrée d'eau froide au bouchon d'entrée sur le côté droit de l'appareil.



ET180/ET210/ET240/ET270



ET360

* Le filtre doit être installé dans l'entrée d'eau froide

2. Après avoir serré les deux raccords sur l'appareil, ouvrez le robinet d'eau chaude pour permettre à l'eau de circuler dans l'appareil pendant environ 2 à 3 minutes pour vous assurer que tout l'air est évacué des conduites d'eau.

Les étapes ci-dessus doivent être effectuées avant la mise sous tension.

NE PAS SUIVRE LES ÉTAPES CI-DESSUS PEUT CAUSER DES DOMMAGES PERMANENTS AUX ÉLÉMENTS CHAUFFANTS.

3. Fermez d'abord la sortie et ouvrez l'entrée pour vérifier toutes les connexions pour les fuites d'eau.

Installation électrique

Attention: Assurez-vous d'avoir effectué les connexions correctes. Vous devez suivre la connexion des fils comme indiqué ci-dessous pour assurer le bon fonctionnement de l'unité.

Avertissement: Pour les connexions d'alimentation, utilisez des câbles 8AWG(ET180/ET210/ET240/ET270/ET360) ou plus gros adaptés à au moins 75°C (167°F).

vertissement: Ce produit possède plus d'un point de connexion d'alimentation. Débranchez toutes les alimentations électriques avant tout entretien.

Avertissement: Les dispositifs de protection contre les surintensités sont fournis séparément. Le chauffe-eau doit être utilisé uniquement avec cet ensemble séparé.

Avertissement: Commencez par ouvrir l'eau et laissez-la couler dans le chauffe-eau pendant plusieurs minutes, puis évacuez tout l'air de la plomberie. En même temps, vérifiez s'il y a une fuite d'eau au niveau des raccordements d'eau internes et externes du chauffe-eau.

Avertissement: Pour éviter un court-circuit et des dommages sur la carte de circuit, assurez-vous que tous les brins sont fixés à l'intérieur du bornier.

Avant d'installer le chauffe-eau, assurez-vous que votre maison est suffisamment alimentée pour supporter le courant maximum disponible pour ce produit.

Comme pour tous les produits électriques haute puissance, assurez-vous de couper l'alimentation du produit directement au niveau du fusible ou du disjoncteur avant d'installer, de réparer ou de démonter ce chauffe-eau. Toutes les protections de circuit (disjoncteurs) et le câblage (calibre de fil) doivent être conformes au Code électrique national (NEC) des États-Unis aux États-Unis ou au Code électrique canadien (CEC) au Canada.

Le non-respect de ces avertissements peut entraîner des risques d'incendie, de choc électrique et/ou de mort et annuler votre garantie.

Avant de commencer l'installation électrique, assurez-vous que toutes les conduites d'eau ont été installées et que le disjoncteur principal et l'interrupteur d'alimentation ont été fermés pour éviter les chocs électriques.

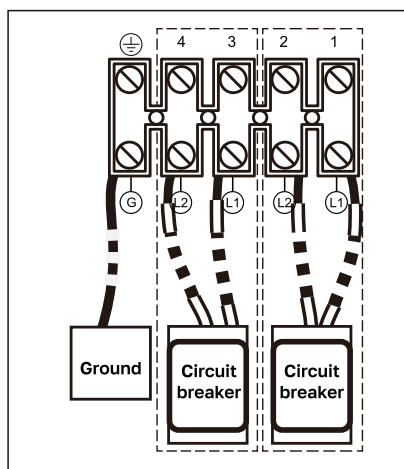
Connexion du circuit

1. Connectez chaque groupe de fils d'alimentation à un disjoncteur par paires (illustré ci-dessous). Assurez-vous que chaque disjoncteur est connecté à un groupe de L1 et L2.

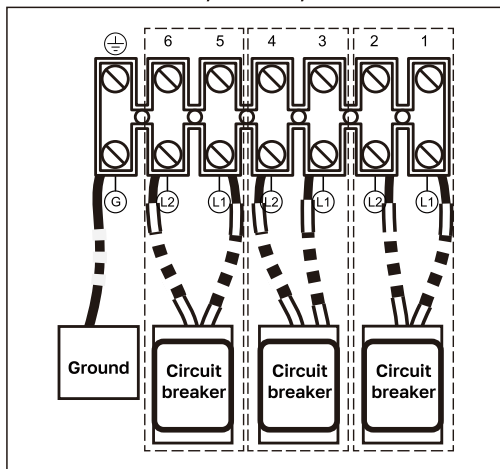
ET110/ET150/ET180 nécessite deux disjoncteurs.

ET210/ET240/ET270 a besoin de trois disjoncteurs.

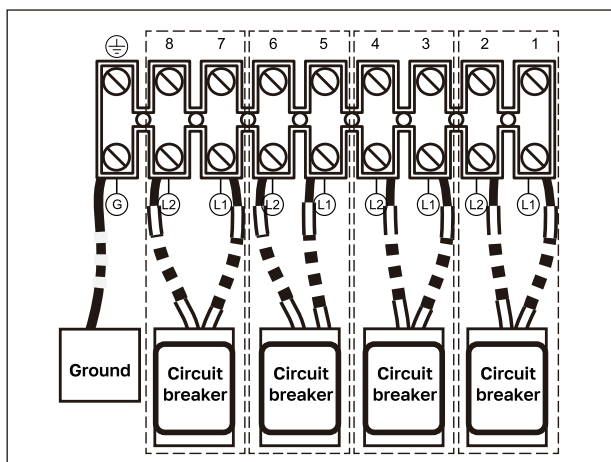
ET180



ET210/ET240/ET270

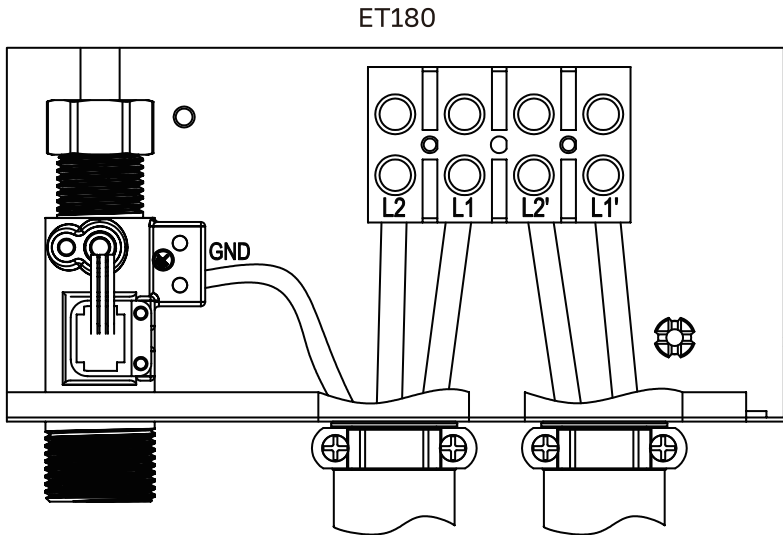


ET360

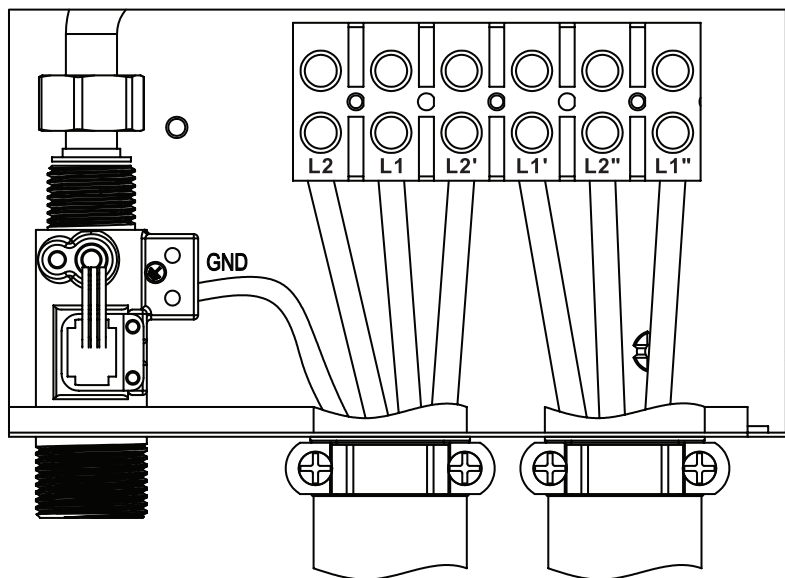


2. Lorsque vous connectez les cordons d'alimentation au bornier, assurez-vous que le fil et le conducteur électrique à l'intérieur du bornier sont en contact total. Serrez ensuite les vis. S'il est desserré, cela peut provoquer un court-circuit électrique et/ou un grillage du bornier.
3. Assurez-vous à nouveau que le câblage du disjoncteur principal au chauffe-eau est correct. Si les mauvais fils sont connectés, le produit ne fonctionnera pas normalement et peut entraîner un danger inattendu.
4. Vérifiez la résistance de terre et assurez-vous que la continuité de terre est correcte.
5. Vérifiez que tout l'air a été purgé des conduites d'eau avant de mettre l'appareil sous tension.

Schéma de câblage



ET210/ET240/ET270



ET360

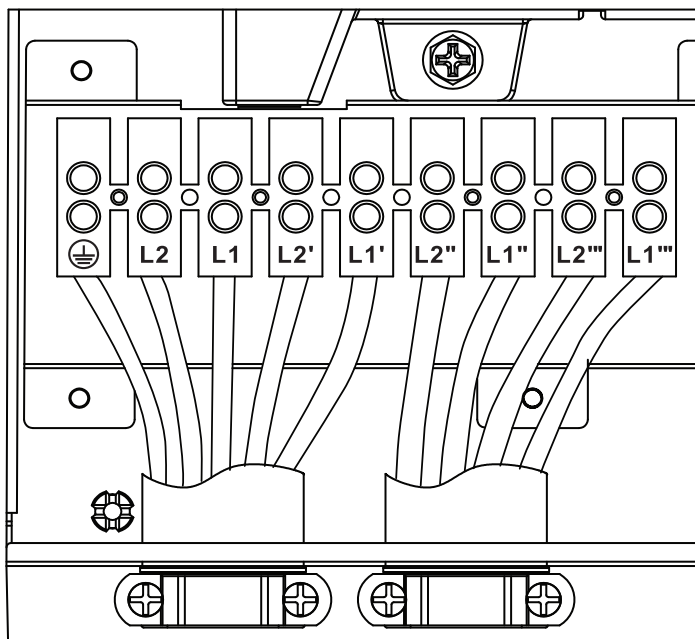
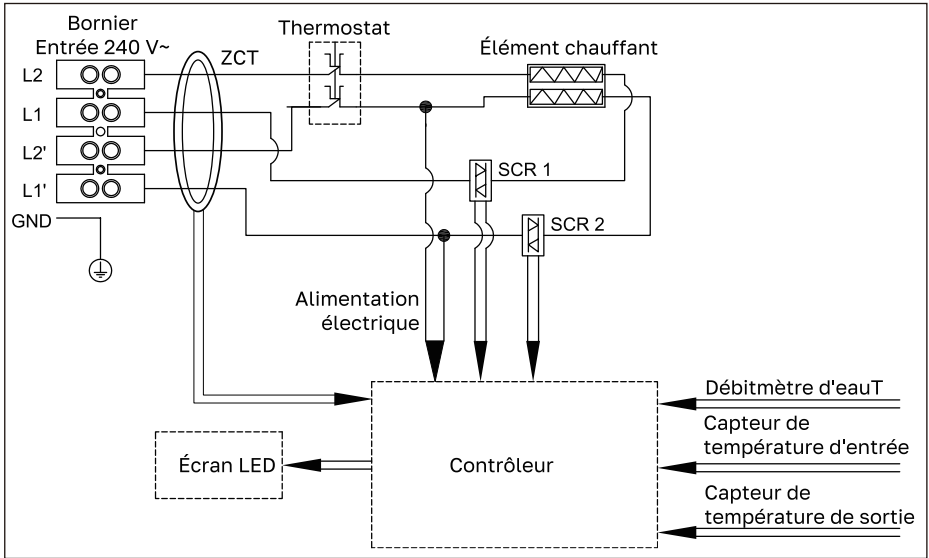
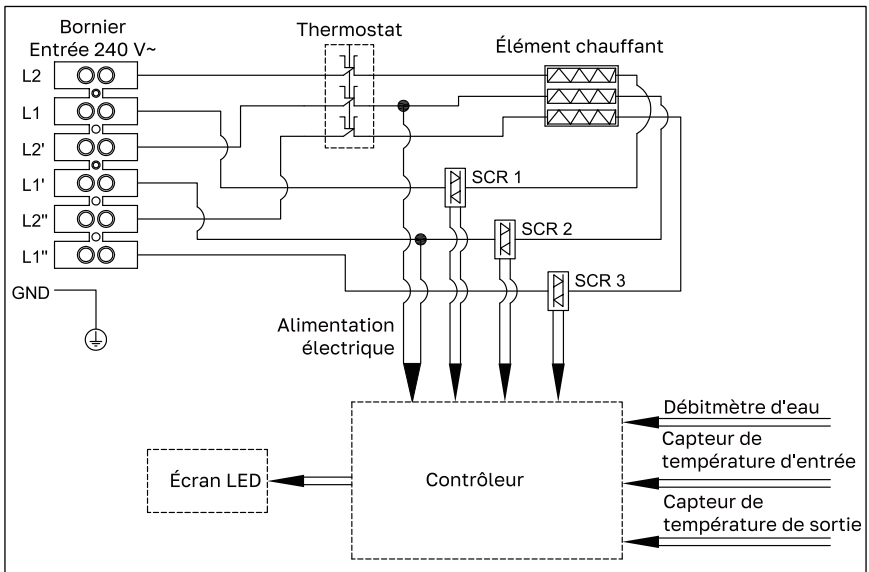


Schéma du circuit

ET180



ET210/ET240/ET270



ET360

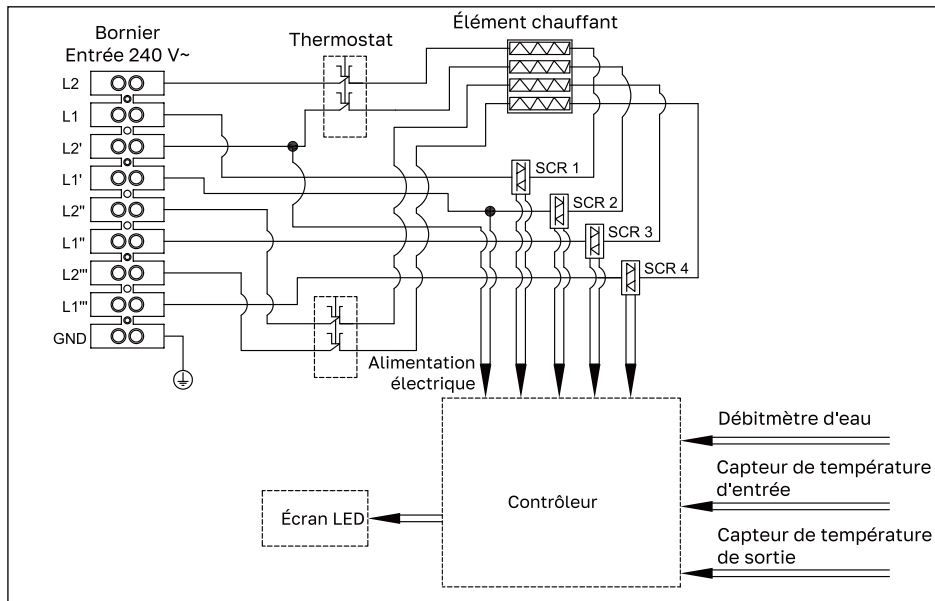
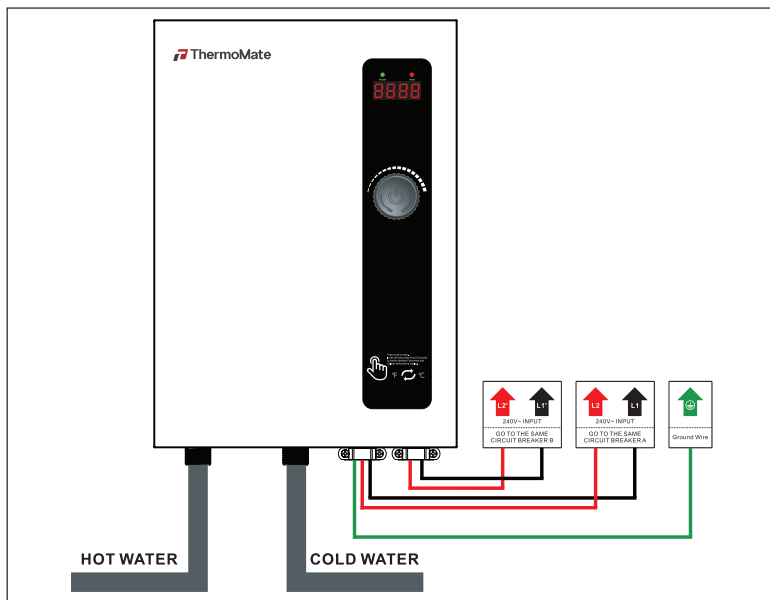
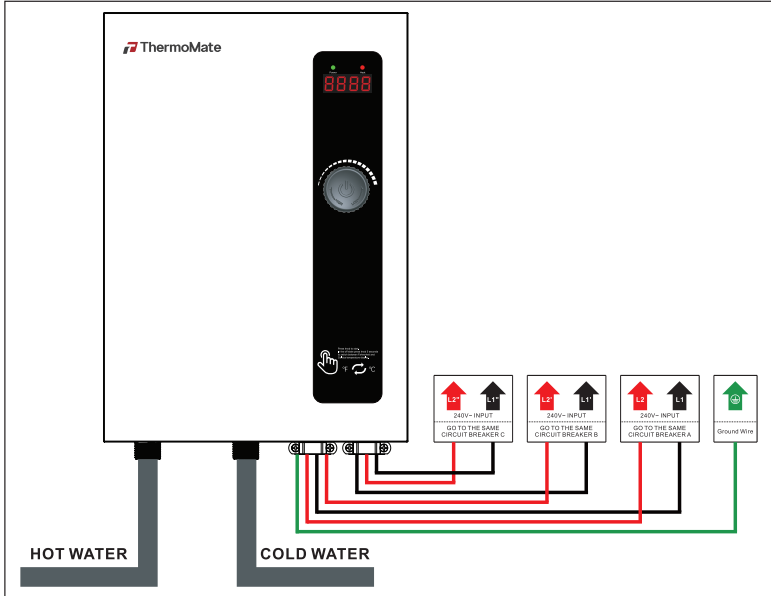


Schéma d'installation

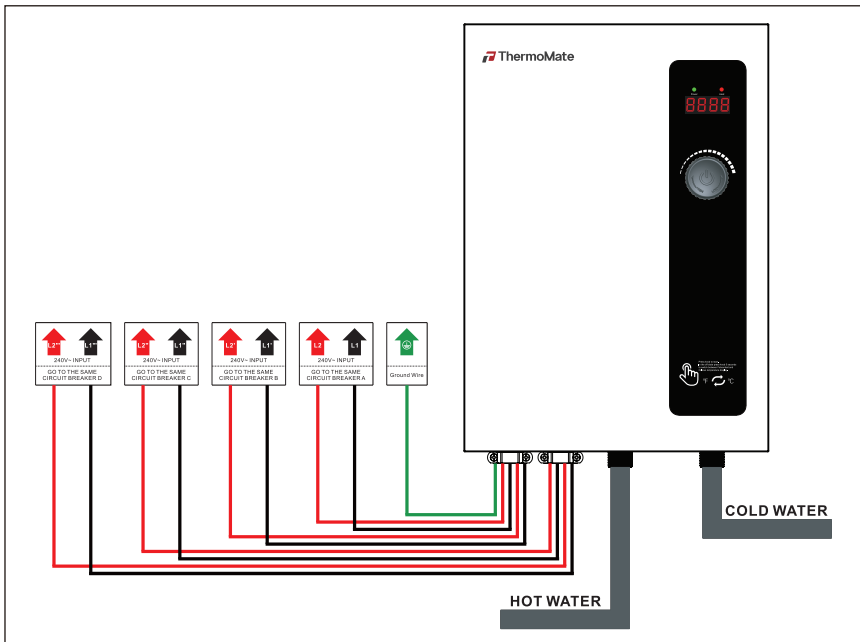
ET180



ET210/ET240/ET270

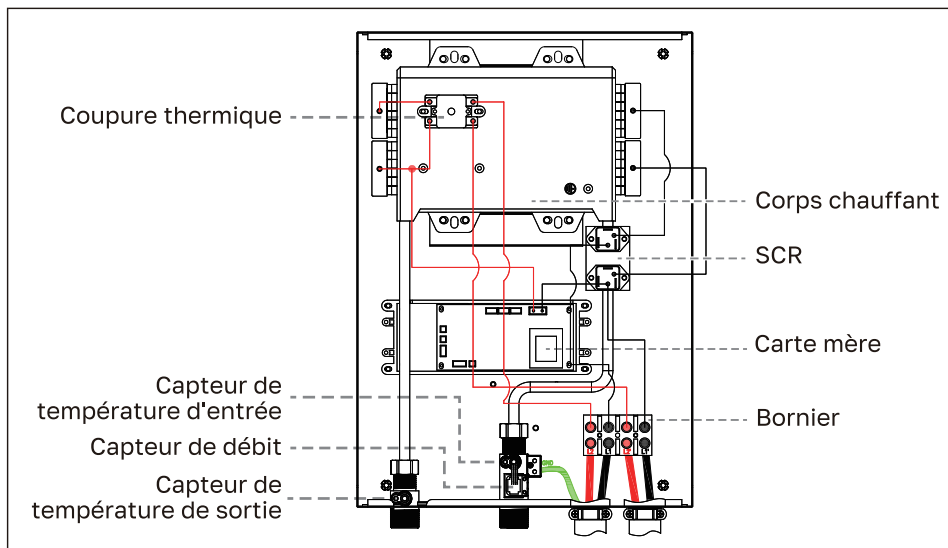


ET360

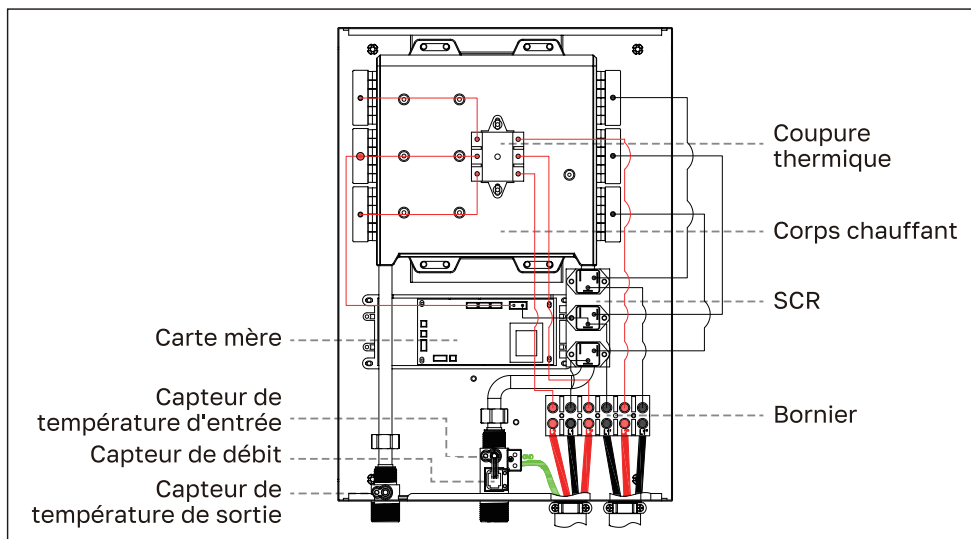


Structure interne du produit

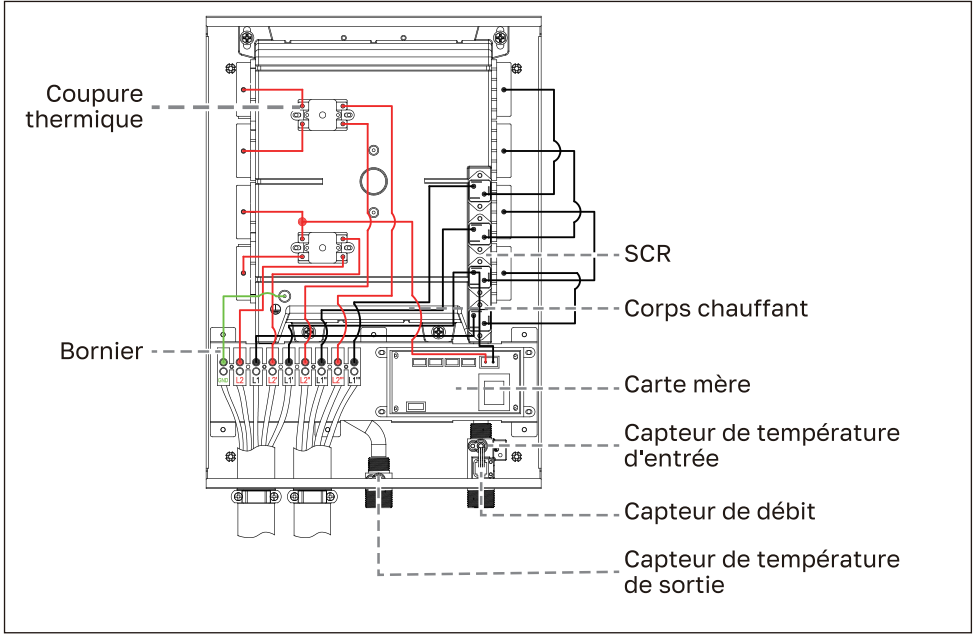
ET180



ET210/ET240/ET270



ET360



CONSIGNES D'ENTRETIEN

Dépannage

PROBLÈME	CAUSE POSSIBLE	SOLUTION
Affichage E1	Fuite d'électricité.	Arrêtez d'utiliser le chauffe-eau et laissez les professionnels identifier les pièces qui fuient
Affichage E2	Température supérieure à 167°F / 75°C. (il s'agit d'un avertissement de température élevée, pas d'un dysfonctionnement)	<ol style="list-style-type: none"> 1. Choisissez un niveau de puissance inférieur ou baissez la température. 2. Augmenter le débit d'eau.
Affichage E3	Défaillance du capteur de température d'entrée d'eau.	Vérifiez que les bornes du capteur de température d'entrée d'eau sont correctement insérées dans la carte mère.
Affichage E4	Défaillance du capteur de température de sortie d'eau.	Vérifiez que les bornes du capteur de température de sortie d'eau sont correctement insérées dans la carte mère.
Affichage E5	La tension domestique est faible ou la tension d'entrée du réseau est anormale pour les utilisateurs sans signal de passage à zéro.	<ol style="list-style-type: none"> 1. Vérifiez si la tension répond aux exigences d'installation. 2. Interférence d'équipement de puissance élevée à proximité.
Affichage EC	Panne de communication.	Contactez le support pour obtenir de l'aide.
Fuite d'eau au niveau du connecteur d'entrée et de sortie.	<ol style="list-style-type: none"> 1. Le connecteur n'est pas installé en place. 2. Dommages aux joints. 	<ol style="list-style-type: none"> 1. Serrez le connecteur. 2. Remplacez le joint.
L'unité ne fonctionne pas (le voyant d'alimentation n'est PAS allumé)	Mauvaise connexion du câblage d'alimentation ou pas d'alimentation.	<ol style="list-style-type: none"> 1. Assurez-vous que les disjoncteurs principaux qui alimentent le chauffe-eau sont allumés. 2. L'appareil peut avoir une erreur de câblage. 3. Il peut y avoir un problème avec le disjoncteur. 4. Contactez votre revendeur local.
Le chauffe-eau ne chauffe pas du tout (le voyant d'alimentation est allumé)	<ol style="list-style-type: none"> 1. Pas de débit d'eau. 2. Le débit est trop petit pour démarrer l'appareil. 3. Panne de la carte de contrôle. 	<ol style="list-style-type: none"> 1a. Contrôler le canal d'alimentation en eau; 1b. Nettoyez le filtre à l'appareil; 1c. Nettoyez l'aérateur de robinet ou la pomme de douche. 2. Augmenter le débit d'eau. 3. Coupez l'alimentation et contactez votre revendeur local.
Le chauffe-eau fonctionne mais la température de sortie n'est pas assez chaude.	<ol style="list-style-type: none"> 1. Température de réglage basse 2. Débit d'eau excessif 3. Câblage défectueux 4. Tension trop faible. 5. Panne du capteur de température. 6. Élément chauffant endommagé. 	<ol style="list-style-type: none"> 1. Augmentez la température de réglage. 2. Réduire le débit d'eau. 3. Si cela se produit lors de la première installation, veuillez laisser l'électricien vérifier soigneusement le câblage. Le câblage peut être incorrect. Sinon, contactez votre revendeur local. 4. Vérifiez l'alimentation électrique. 5. Remplacer le capteur de température. 6. Remplacez l'élément chauffant.
Le chauffe-eau chauffe mais la température de sortie est trop élevée.	<ol style="list-style-type: none"> 1. Température réglée trop élevée. 2. Faible débit d'eau 3. Échec PCB 	<ol style="list-style-type: none"> 1. Baisser la température de réglage 2. Augmenter le débit d'eau 3. Coupez l'alimentation et contactez votre revendeur local.
Le débit de sortie est réduit.	Filtre d'entrée, douche ou robinet obstrué.	Nettoyez-les

Garantie du produit

ThermoMate garantit que ce chauffe-eau est exempt de défauts de matériaux et/ou de fabrication pendant une période de deux (2) ans à compter du jour où le produit est acheté. Pendant cette période de garantie de 2 ans, nous réparerons ou remplacerons à notre gré, sans frais pour le client, ce produit s'il est jugé défectueux, par un produit neuf ou reconditionné, mais sans inclure les frais de retrait ou d'installation. Les services de garantie fournis ne prolongeront pas la période de garantie ni n'initieront une nouvelle période de garantie. Toutes les marchandises retournées doivent être expédiées avec les frais de transport prépayés.

Cette garantie ne couvre pas les erreurs dues à une installation ou une utilisation incorrecte, des conditions de fonctionnement incorrectes ou des travaux d'entretien ou de réparation défectueux. L'usure normale telle que l'entartrage à la chaux est également exclue dans le cadre de cette garantie. La garantie ne sera pas valable si le problème est causé par des valeurs extrêmes de l'eau potable.

Cette garantie ne comprend pas l'indemnisation, le retrait du contrat, la réduction de prix ou tout remboursement pour les dommages consécutifs dus à des défauts.

Le propriétaire et non le ThermoMate ni son agent/représentant sera responsable et paiera tous les frais de terrain pour la main-d'œuvre ou autres dépenses engagées pour l'enlèvement et/ou la réparation du chauffe-eau ou toute dépense engagée par le propriétaire afin de réparer le chauffe-eau.



1 (844) 334-4203



support@thermomate.com



www.thermomate.com



8350 Patriot Blvd STE B,
North Charleston, SC 29418

