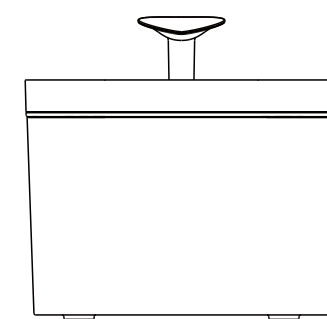


材质:128 克铜版纸
 风琴折页
 单页尺寸: 130X90mm

Automatic Pet Water Fountain User Manual



0.3.0.02.WF0101-ZX-00

Safety Precautions

- Dispose of all packaging materials properly. Keep the poly bags away from children and pets as these bags could cause suffocation.
- Do NOT allow children to play with, in or around the pet water fountain.
- To avoid injury, please keep close supervision when the appliance is used near children.
- Do NOT use the water fountain with pets not able to reach the water tray or with any physical disability.
- Do NOT place any foreign object in the water tank.
- Do NOT disassemble the pet fountain other than components as instructed in this User Manual.
- Do NOT use the pet fountain for anything other than its intended use.
- Only use attachments recommended or sold by the manufacturer. The use of attachments not recommended or sold by the manufacturer may cause an unsafe condition. This product is only suitable for DC output 5V --- 1A power adapter, please use the power adapter that meets the relevant national and regional standards, otherwise this product will be damaged or cause safety hazards. Do NOT modify the pet fountain.
- Do NOT operate any appliance if the unit is malfunctioning or has been damaged. Do not attempt repairs on the device yourself. Contact our customer service immediately for further instructions.
- Be sure to disconnect the power supply for safety when the appliance is not in use.
- Please disconnect the power supply before maintaining and cleaning the machine.
- Always unplug the appliance when not in use; or before putting on or taking off parts and before cleaning.
- The power adapter and wire plug must not be flooded during cleaning.

01

- This product is for indoor use only.
- This product is not allowed to run without water.
- Never pull the electrical power cord to remove the plug from the wall outlet.
- If the plug of this device gets wet, turn off the electricity of that wall outlet. Do NOT attempt to unplug.
- Check the device after installation. Do NOT plug in if there is water on the contact points or plug.
- To avoid tripping, always position the power cord out of the way of foot traffic.
- Do not use the appliance in the bathroom.
- Change the filter every 2 weeks or when the flow rate has noticeably reduced. For two or more cats, you may need to replace the filters more regularly if it becomes blocked.

Caution

- Do NOT allow pets to chew on or swallow any parts.
- Keep it level and do not knock over the product, otherwise it will cause malfunction or water spilled.
- Do not put this product in the dishwasher for cleaning.
- Do NOT install or store the pet water fountain where it will be exposed to weather or temperatures below 0°C / 40°F.
- Read and observe all important notices listed on the pet water fountain and in the packaging.

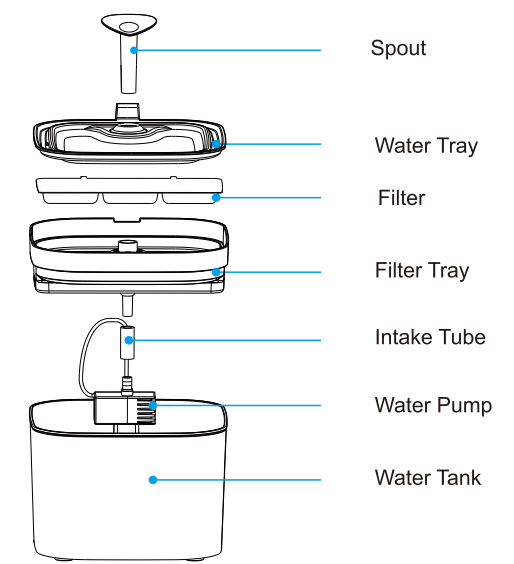
Specifications

Product Name: Automatic Pet Water Fountain
 Dimensions: 7.36X6.96X6.96 inch

02

Capacity: 2.2 L
 Material: ABS
 Rated voltage: 5V --- 1A
 Rated power: 0.5W
 Suggested pet types: cats and small and medium-sized dogs

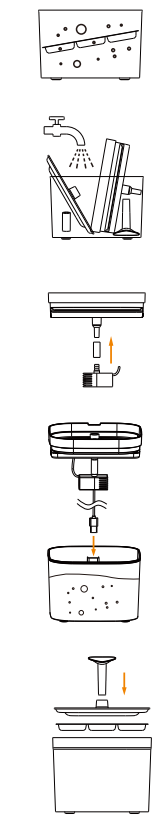
Product Diagram



03

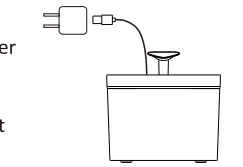
How to Use

- ※ Please following the steps for initial use.
- 1. Soak the filter in a clean bowl for 5 minutes with 5°C -50°C water.
- ※ It is normal for the water soaked in the filter element to appear colorless or yellow, but it is not drinkable.
- 2. Rinse the drinking water tray, filter tray, spout, and silicone tube with clean water.
- ※ It is strictly forbidden to put this product and its assembly parts in the dishwasher for cleaning.
- 3. Assemble the water pump, silicone hose and filter disc together
- 4. Fill in water tank with purified water up to MAX level, pass the USB cable of the water pump through the water tank, and assemble the filter disc and the water tank.
- 5. Put the filter element into the groove of the filter tray, cover the drinking tray, and insert the spout.



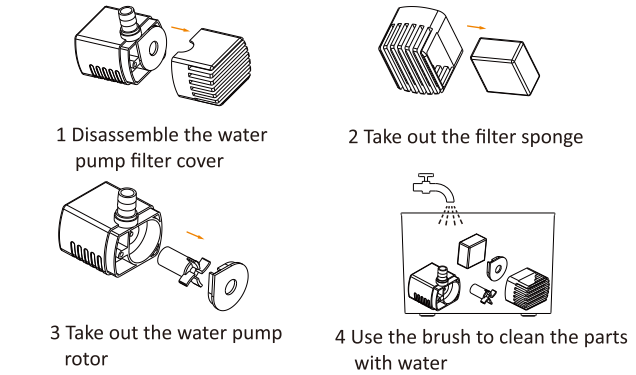
04

- 6. Place the assembled water dispenser on a stable ground and plug in the adapter to pass electricity.



How to Clean

- 1. The water dispenser needs to be cleaned once about 3 days in operation, and the filter element should be replaced once about 2 weeks. The parts of the water dispenser are not allowed to be cleaned in the dishwasher. The new filter element needs to be soaked in water for about 5 minutes before it can be used.
- 2. Cleaning the water pump can prolong the service life of the water pump. It is recommended to clean it once every 1 to 2 months to prevent dirt from blocking the waterway, resulting in unsmooth water flow, poor water quality, noise and other abnormal phenomena. The steps are shown in Figure 1 to Figure 4.



05

Troubleshooting

How often should I change the filter? Where to get?	It's recommended to replace the filter every 2 weeks. Please contact us at support@petory.net to purchase filter replacements.
The pump does not pump water or "gurgling", why?	After starting up or cleaning for the first time, please wait a few minutes for the pump to discharge the trapped air. If the pump still cannot pump water; dismantle the pump cover; replace the sponge, and then rinse all debris in the pump with water.
Why does the pump work and then stop now and then?	There's too little water in the tank. Fill in water between MIN and MAX.
Water keeps spilling out of the water tray.	Please soak the filter in a clean bowl (not in the water tank) for 5 minutes before the first use.
How often should I clean the product?	Please clean that every 3-4 days, and use the brush to clean the pump every 1-2 month.
Why do I need to soak the filter before first use?	The filters absorb more water (and therefore clean more water) when they're wet and expanded. Soaking the filter removes particulate matter that may have settled on the filter.
Water output speed slows down	For the first use (or reuse after long-term storage), the water pump needs to discharge air, it's normal if the water output speed slows down.

06

