
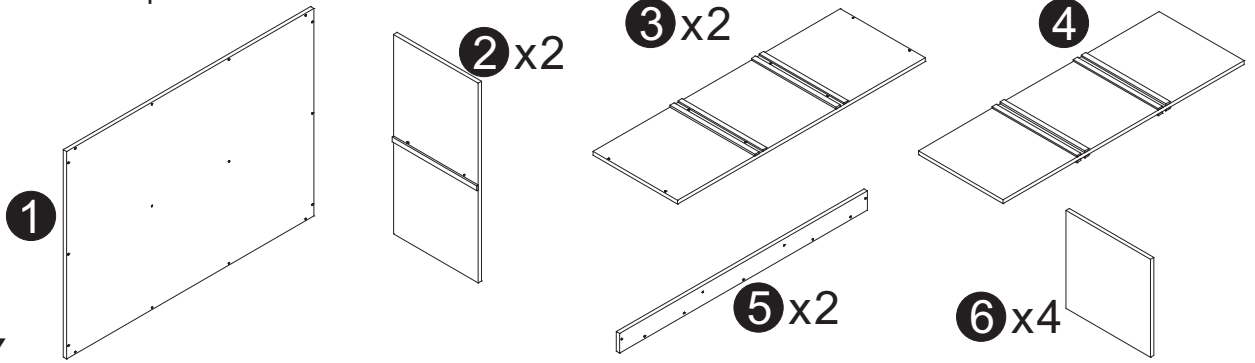


ASSEMBLY INSTRUCTION

DDP-2428

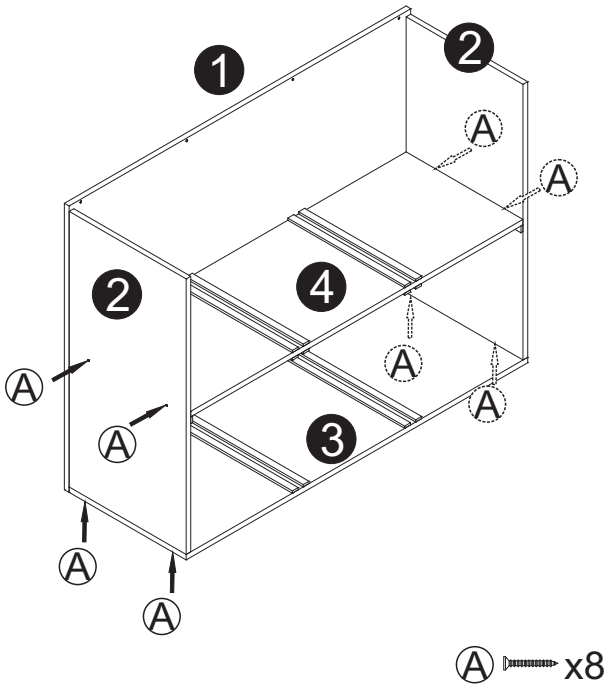
A  3.0x30=54+2pcs

PARTS

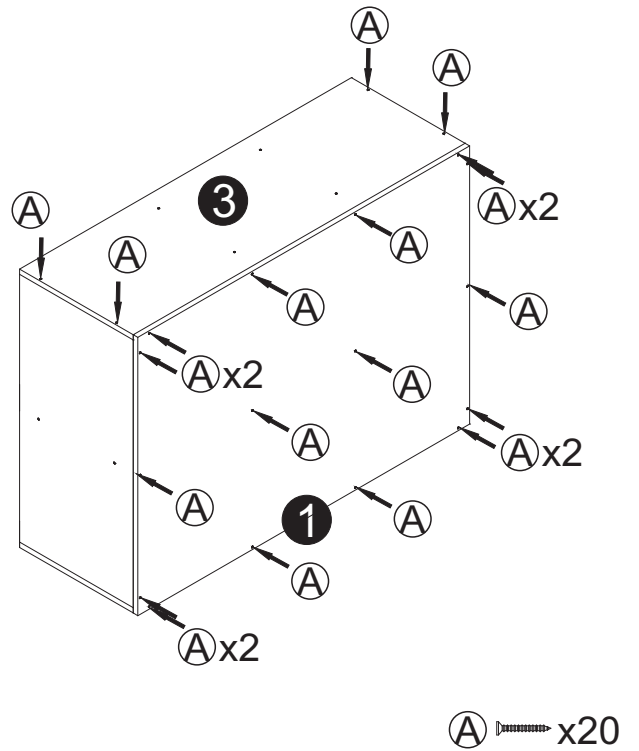


ASSEMBLY

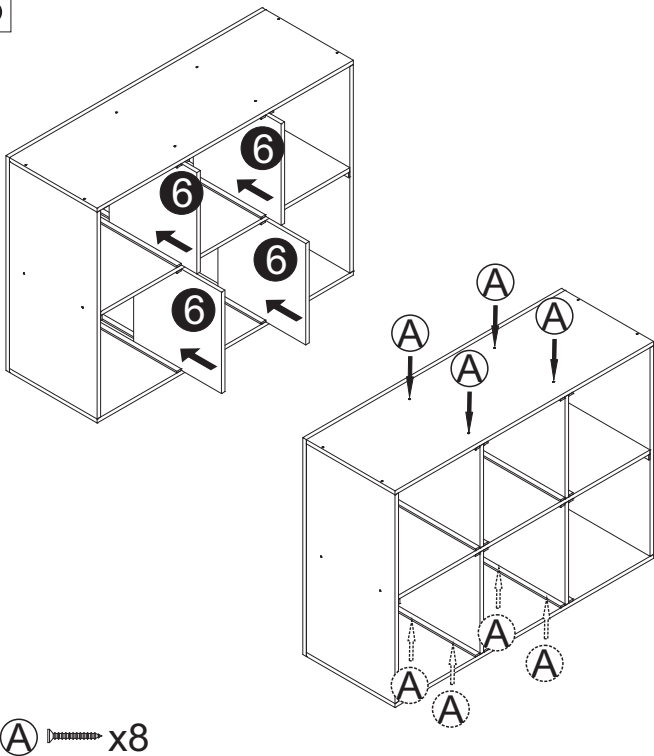
1



2



3



4

