



PROFESSIONAL FLAT SURFACE CLEANER

MODEL: ADVR2000

OPEARTION MANUAL

- **HEAVY-DUTY ANODIZED ALUMINUM COMPONENTS**
- **RUGGED PP COVER**



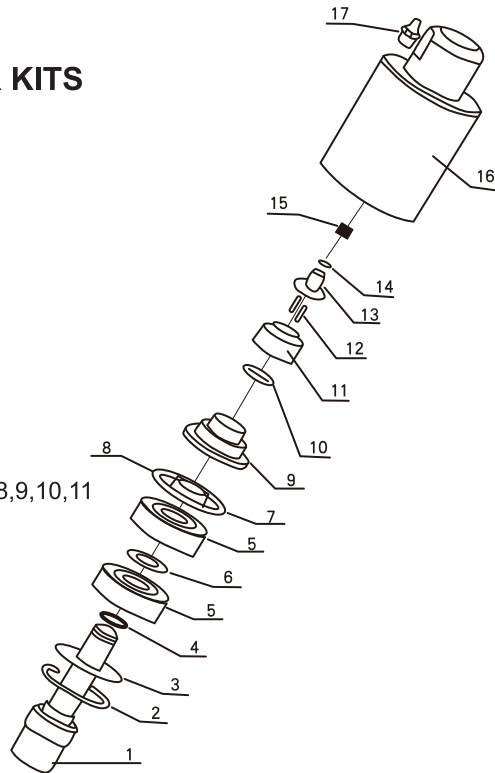
AVAILABLE REPAIR KITS

Housing kit:
ADV6015
Includes items 12,16and 17

Intake valve kit:
ADV6014
Includes items 13,14 and 15

Seal kit:
ADV77401
Includes items 7,10,14

Shaft sleeve kit:
ADV6013
Includes items 1,2,3,4,5,6,7,8,9,10,11



ITEM NO.	PART NO.	DESCRIPTION	QTY.
1	ADV3048	Rotary shaft	1
2	ADV63085	Retaining ring	1
3	ADV33018	Stanless steel washer 20*41.5*0.8	1
4	ADV63022S	Retaining ring (shaft use)	1
5	ADV83011T	Bearing	2
6	ADV33016	Stanless steel washer 9.15*25*0.8	1
7	ADV77101	O-ring90.40.8*2.7	1
8	ADV63020	Ring	1
9	ADV3053	Bushing	1
10	ADV77099	O-ring90.14*2.65	1
11	ADV3055	Cover	1
12	ADV17023	Cylindrical pin	2
13	ADV17005B	Inlet valve	1
14	ADV77142	O-ring80.5.3*1.8	1
15	ADV53051	Compressed spring	1
16	ADV4004	Case	1
17	ADV7059	Oil Cup M8*1	1

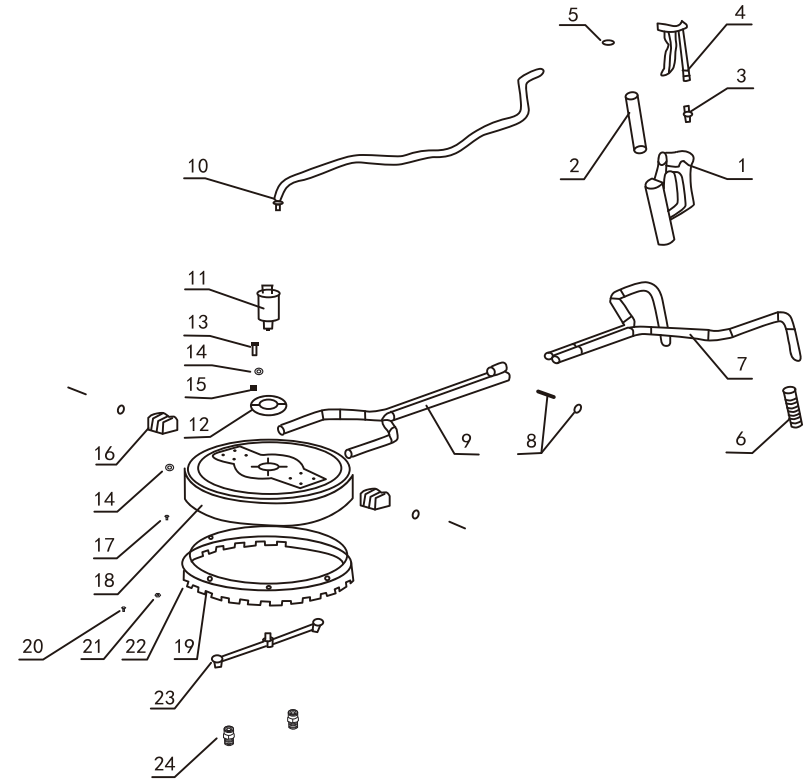
WARNING: Read Before Operating Machine

Always wear protective eyewear
Keep clear of rotating nozzles
Never lock trigger gun open with any device
Drain water in cold weather to avoid freezing

Tampering with any part of this machine will void all warranties

Operating Instructions

1. Connect to Pressure Washer.
2. Turn water on and open valve. Open trigger gun for flow of water through nozzles. Nozzles must have flowing spray. If not, remove tips and clean; reassemble, making sure that groove of nozzle is parallel to spray bar. Use thread sealant when installing nozzles.
3. Start Pressure Washer. The surface cleaner is ready for operation.
4. Walk slowly behind the surface cleaner cleaning as you go. If striping occurs, slow down your pace.
5. Periodically check weep hole on bottom of swivel. Water will seep slowly; if water shoots out, stop and replace seals. Swivel assembly can be rebuilt.
6. For maximum effectiveness keep spray tips clean. If the machine vibrates, stop and clean spray tips.
7. Grease the swivel with one or two grease gun pumps every 200 hours (or once about every 30 days of use).



DO NOT ALLOW MACHINE TO REMAIN STATIONARY ON SOFT SURFACES SUCH AS WOOD.

Caution: Striking any raised obstacle during operation will damage machine. If contact does occur and results in vibration when operating machine, STOP and replace spray bar. Continued operation could result in serious injury or damage to machine.

Operating Pressures: 1,000 to 4,000 PSI
 Max Flow: 8.0 GPM
 Dimensions: 83cmx57cmx29cm
 Weight: 11kgs

ITEM NO.	PART NO.	DESCRIPTION	QTY.
1	ADV7911	Gun housing & trigger kits	1
2	ADV5021	Bushing	1
3	ADV2105	Plug	1
4	ADV7801	Gun insert	1
5	ADV1008	Coupler	1
6	ADV5002	Handle grip	1
7	ADV4016	Upper handle	1
8	ADV3002	Pin & ring kits	1
9	ADV4017	Lower handle	1
10	ADV1605Q	Hose	1
11	ADV7004	Rotary Head	1
12	ADV4044	Hoop	1

ITEM NO.	PART NO.	DESCRIPTION	QTY.
13	ADV13328	Inner hexagon screw, M8*30	5
14	ADV33006	Flat washer, D8	12
15	ADV13342	Self-lock nut, M8	4
16	ADV4043	Bottom case	2
17	ADV13319	Inner hexagon screw, M8*20	8
18	ADV5028BL	Plastic cover, blue	1
19	ADV7087	Brush	1
20	ADV13003	Hexagon bolt, M6*16	9
21	ADV13340	Self-lock nut, M6	9
22	ADV33003	Flat washer, D6	18
23	ADV2028	Triple rotary arm	1
24	ADV25250H	Nozzle	2