



DURACLAD[®]
Interlocking Wall & Ceiling Panels



DIY



AGRICULTURE



CONSTRUCTION

Installation Guide



Tools Required

- Tape Measure
 - Tin Snips
 - Hammer
 - Utility Knife
 - Square
 - Caulk Gun
 - Chalk Line
 - Level
 - 6"-8" putty knife
 - Radial Arm Saw*
 - Drill / Screw Gun
 - Ladder / Scaffolding
 - Oscillating Tool
 - Safety Glasses
- * Use a fine tooth blade (12-16 teeth per in) installed in the reverse direction

Project Preparation

1. Be certain all working areas are straight and level prior to installing Duraclad.
2. Make sure all vapor barriers are installed per building code prior to Duraclad installation.
3. For ceiling applications, it is recommended to install Duraclad panels perpendicular to ceiling joists and roof trusses.
4. Install wood blocking around all openings to properly support Duraclad trim.
5. Never mount anything directly to Duraclad. Always utilize a proper structural backer to hang lighting, electrical, shelving, etc.

Basic Installation Notes

1. All panels should be allowed to slide free after fastening. This movement allows for proper thermal expansion and contraction and prevents the Duraclad panels from warping.
2. Fasteners should always be placed in the center of the nailing flange slots.
3. When fastening the panels, it is important to "snug up" the fasteners to the nailing flange. Do not overtighten or distort the nailing flange. This allows for proper support of the panel while also allowing for proper thermal expansion.
4. Leave a ¼" minimum clearance at ends of panels and trim to allow for thermal expansion.
5. Fasteners should penetrate the backing substrate a minimum of 1" for proper structural support.
6. Fasteners should be fastened no more than 24" apart. All fastening should start at the middle of the panel and work outward towards the ends of the panel.
7. Never face nail into Duraclad, this will distort the panel and cause cracking.
8. When installing in cold or warm weather, be sure to acclimate the panels to between 50°F -70°F prior to installation. If the panels cannot be acclimated and must be installed in cold temps, install with a 1/16" gap between all vertical seams. This can be easily accomplished by utilizing a

spacer material with a thickness of 1/16" placed between the vertical seams of the panels during fastening.

9. Use a one part, neutral cure silicone sealant to seal all corners, around fixtures and repair small holes.
10. For high moisture environments, apply a bead of neutral cure silicone inside the female end of panel prior to inserting next Duraclad panel.
11. Keep all unshielded heat generating objects far enough away from the surface of the Duraclad panels. The surface should never exceed the maximum allowable service temperature of 130F under any circumstance.
12. Always install ceiling before walls.
13. Maximum allowable span is 24".

Ceiling Installation

1. Begin by installing the appropriate J trim around the perimeter of the ceiling. Fasten the trim no further than 24" apart with screws on wood trim or ceiling joists. On larger structures, H channels will be required to be fastened to the ceiling joists. Space the H channels ½" farther apart than the length of your Duraclad panels. This will allow you to join the Duraclad panels together while allowing for ¼" on each end for proper thermal expansion.
2. Cut the length and width (cut from the male side of the panel) of the Duraclad panel and install into the J channel starting at the corner of the room. Be sure to leave a ¼" on the length of the panel and ¼" on the width to allow for thermal expansion. Using the specified fasteners fasten the panel every 24" in the center of the nailing flange holes. Be sure not to overtighten.
3. Insert the male end of the next panel into the female end of the panel already installed on the ceiling. Using the specified fasteners fasten the panel every 24" in the center of the nailing flange holes. Be sure not to overtighten. Continue this process until you reach the opposite wall.
4. The last panel may be required to be ripped to the correct width. Measure from the wall to the end of the last installed panel. Be sure to measure from the panel profile



Class A fire rating.



Duraclad is stronger than other PVC liner panels with thicker inner walls.



Secure tongue and groove design with hidden fasteners for easy installation that allows for expansion and contraction.

and not the nailing flange. Be sure to allow $\frac{1}{4}$ " for thermal expansion. Insert the male end of the panel into the female end of the last installed panel and then, with the assistance of a putty knife, gently pry the installed J channel down so that the panel can be inserted into the J channel.

Wall Installation

1. Install Duraclad wall panels similar to the ceiling installation.
2. If installing perpendicular to wall studs, the male tongue should be installed facing the floor with the nailing flange facing the ceiling. In wet environments see item 10 under Basic Installation Notes. If your wall is longer than your panels join two panels together using the H Divider Trim piece.
3. Start by installing inside cove or J channel around the top of the perimeter of the ceiling.
4. Next, measure and cut the J channel to be installed as base trim around the floor of the room. Prior to installation, drill $\frac{1}{4}$ " weep holes every 16" into the bottom of J channel to allow for water drainage.
5. Fasten the base trim / J channel to the wall about $\frac{1}{8}$ " off of the ground. Be sure the J channel is level.
6. When installing at inside corners, you can either finish the joints with J trim or install an inside cove. Once you install the inside cove, continue installing Duraclad panels working away from the inside cove trim.
7. In order to hang items on the Duraclad panels, a nylon spacer capable of holding the required load that measures

$\frac{1}{2}$ " in depth is required. Never hang anything directly on the Duraclad panel. Locate the structural member behind the Duraclad panel. Once located, identify where the mounting hole needs to be drilled. Use a holesaw equal in diameter to the nylon spacer of choice. Using a 2" fastener suitable for holding the desired load, fasten the item with the fastener through the center of the nylon washer. There should be no pressure applied directly to the Duraclad panel.

Recommended Sealant/Adhesive

Use a one part, neutral cure silicone sealant to seal joints and corners in wet environments.

Use a white construction adhesive as needed for installation of trim profiles.

Palram Americas cannot be responsible for performance or compatibility of any sealant or adhesive. Palram strongly recommends contacting the sealant/adhesive manufacturer to verify compatibility and fitness for use.

Care and Maintenance

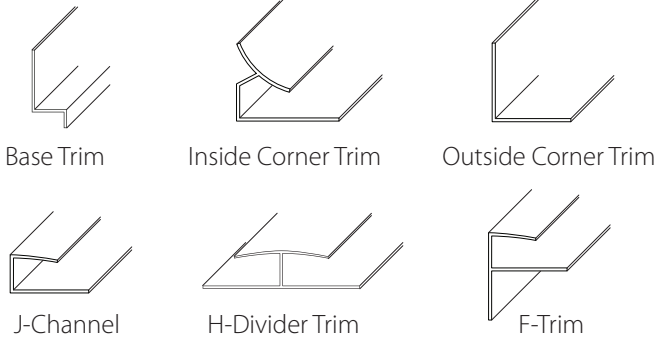

Please refer to the PVC Roofing and Wall Liner Care and Maintenance Guide on our website at www.Duraclad.com

Limited Warranties


Duraclad & Duraclad DS each carry a 20-year limited manufacturer's warranty on durability. Duraclad DS also carries a 3-year delamination warranty. See warranties for complete details.

Installation Accessories

For optimum performance and durability, use Palram Duraclad® installation accessories.

$\frac{3}{16}$ " x $1\frac{1}{4}$ " Tapcon® Screw
with a stainless steel washer
($\frac{1}{4}$ " ID. x $\frac{1}{2}$ " OD. x $\frac{1}{32}$ " thick)
(supplied by others)



#8 or #10 x $1\frac{1}{4}$ "
Stainless Steel Screw with
 $\frac{1}{2}$ " dia. low profile screw head
(supplied by others)



Nylon spacer,
 $\frac{1}{2}$ " depth.
(supplied by others)

IMPORTANT NOTE: Be certain the head of the fasteners are less than .168" in height to reduce the risk of improper engagement of the tongue and groove connection.



DURA CLAD

DURA CLAD
DESIGNER SERIES



PALRAM AMERICAS
9735 Commerce Circle
Kutztown, PA, 19530 USA
800.999.9459
ContactUs.USA@palram.com
palram.com/us



Authorized Distributor

Inasmuch as Palram Americas has no control over the use (and/or installation method) to which others may put this material, it does not guarantee that the same results as those described herein will be obtained. Each user of the material should make their own test to determine the suitability of the material for their own particular use. In the event of a warranty claim for product failure, Palram Americas reserves the right to inspect any or all of the sheets involved and the installation site itself while the sheets are still in their original position and have not been removed or moved or altered in any way.
© 2023 Palram Americas



FC25 062923 KE