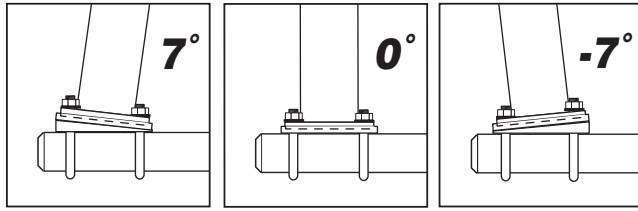


TIE DOWN

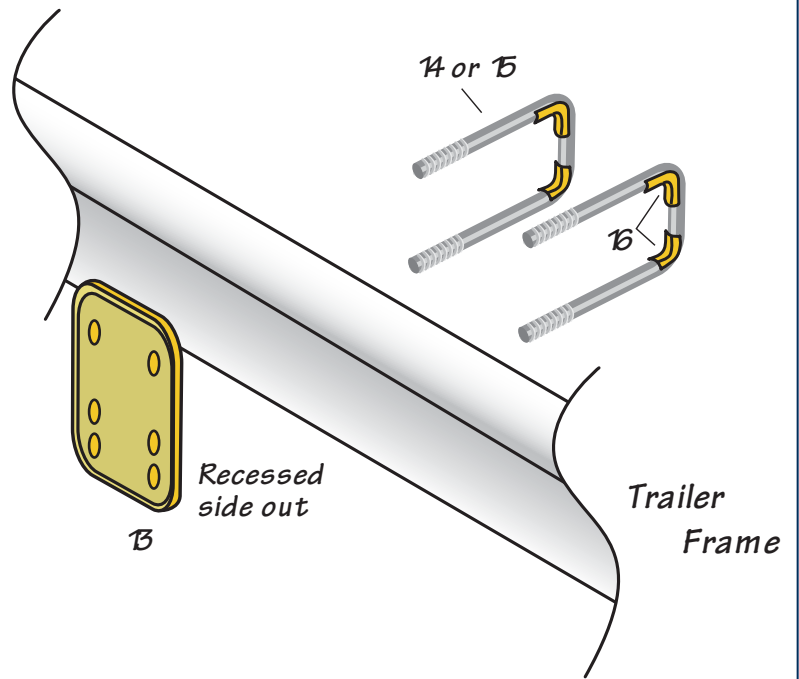
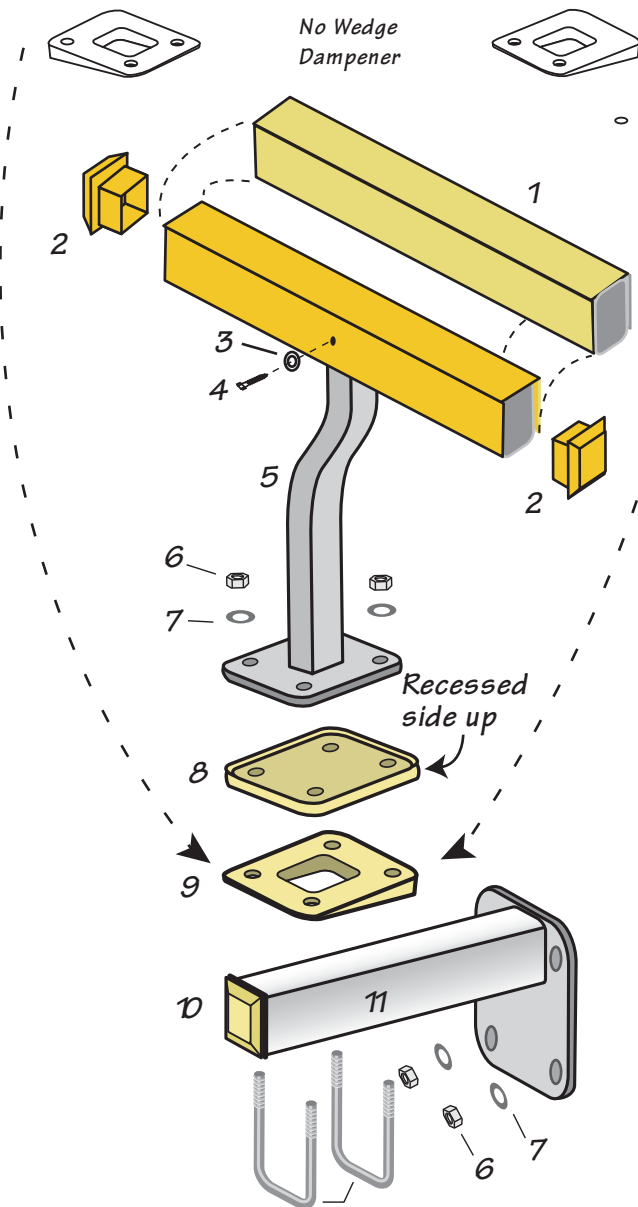
MANUFACTURING INGENUITY

Hull Sav'r Shock Absorbing 24" Side Guide On's Assembly/Installation Instructions Part #86148



This kit contains the following components:

#	Qty	Part #	Description
1	2	48085A	24" Guide Assembly
2	4	48371	End Cap Large 2x2
3	8	10526	Flat Washer #10
4	4	10595	Self thread Screw 10x3/4"
5	2	44058	Vertical Side Guide
6	16	10627	Lock Nut 3/8"
7	16	10502	Flat Washer 3/8"
8	2	48362	PVC Guide Damper
9	2	48364	Damper Wedge
10	2	48363	End Cap small 2x2
11	2	44049	Horizontal Side Guide
12	4	83073-1Z	U-Bolt 3/8 x 2.19 x 3.5
13	2	48365	Side Mount Damper
14	4	83074-1Z	U-Bolt 3/8 x 3.19 x 3.75
15	4	83075-1Z	U-Bolt 3/8 x 4.19 x 3.75
16	8	48360	U-Bolt Protector



Instructions #15381 (A322 - Rev. 5/16/22)

TIE DOWN

MANUFACTURING INGENUITY

404-344-0000 • www.tiedown.com
605 Stonehill Drive SW, Atlanta, GA 30336
sales@tiedown.com