

TIE DOWN

S A F E T Y

www.tiedown.com

Ladder Safety-Legs

Part ID: 70833

Ladder Safety-Legs Installation Instructions

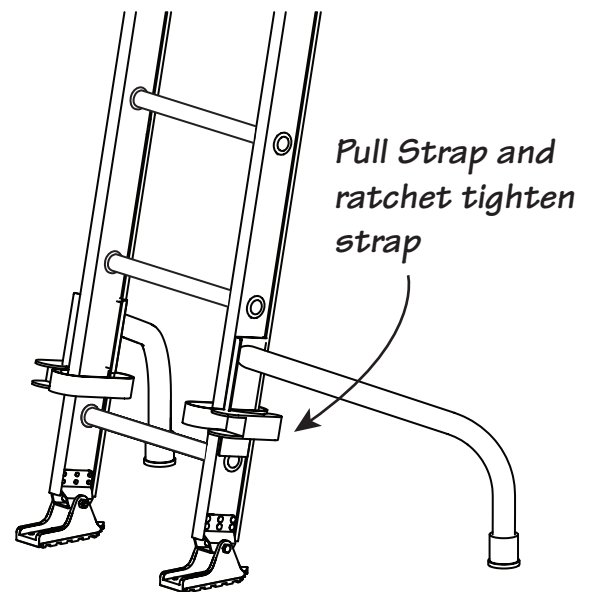
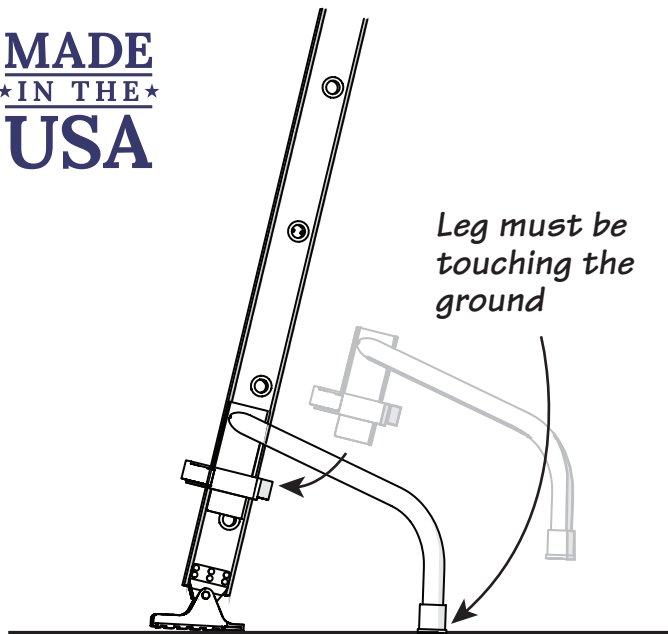
- Point Safety-Leg toward the wall
- Set mounting plate against ladder rail
- Wrap strap around ladder rail and thru ratchet axle slot
- Pull strap tight
- Operate ratchet to tighten strap
(Note: make sure leg is touching the ground)

Warning: Do not attempt to climb the ladder unless the ladder is installed per manufacture requirements. Do not alter or use the Ladder Safety-Legs for any reason other than what is depicted in the instructions and shown in the images. If you have any questions, please contact Tie Down at (404) 344-0000

Remember to
always erect
your ladder
using the
4:1 rule



MADE
★IN THE★
USA



WARNING: This product can expose you to chemicals including Nickel, which is known to the State of California to cause cancer. For more information go to: www.P65Warnings.ca.gov

Instructions #08366 (E1815 - Rev. 1/21/21)

TIE DOWN
MANUFACTURING INGENUITY

404-344-0000 • www.tiedown.com
605 Stonehill Drive SW, Atlanta, GA 30336
sales@tiedown.com