

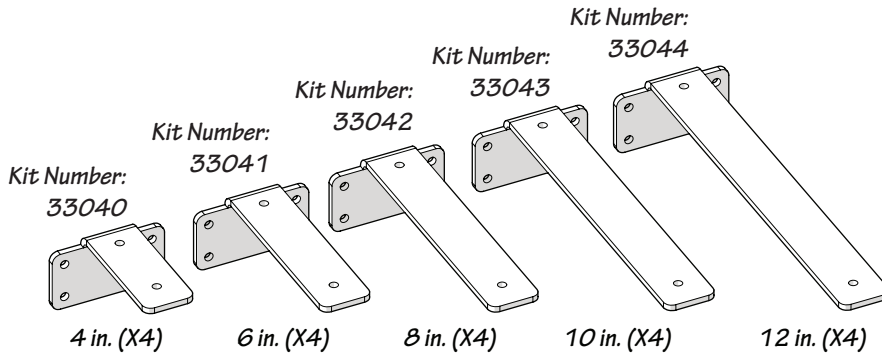


MANUFACTURING INGENUITY

# Floating Shelf Bracket Kit Installation Instructions



**Attention:** This shelf kit includes hardware designed for drywall installation. If mounting to other surfaces, be sure to use appropriate fasteners and installation methods for that surface type. Always select mounting hardware based on the wall material to ensure a safe and secure installation.



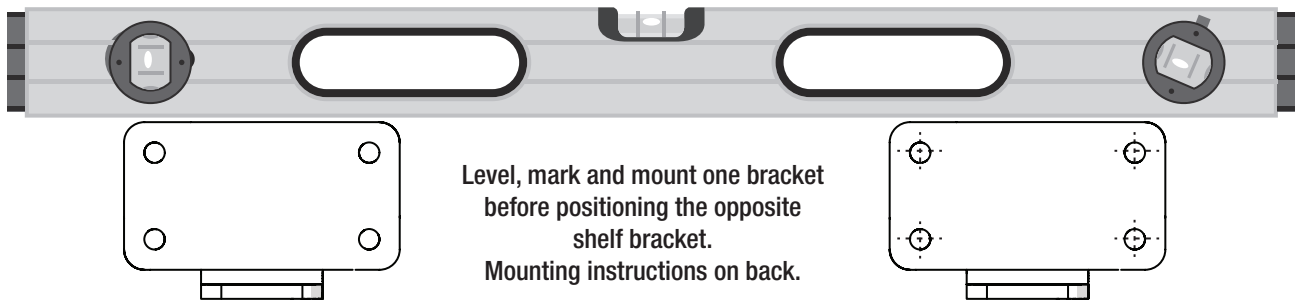
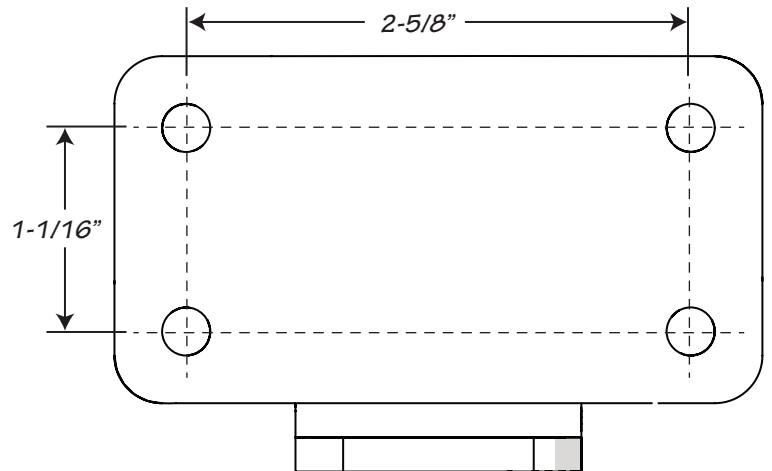
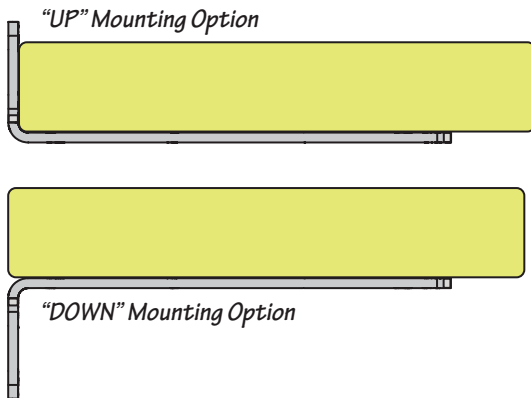
#10 Plastic Drywall Screw (50 lb. Cap.) (X16)



#10 x 1-1/2" Steel Screw (X16)



#10 x 3/4" Steel Screw (X8)



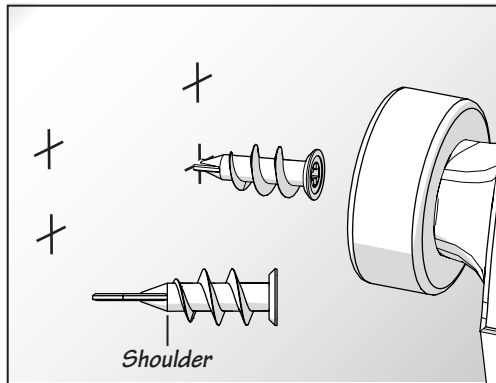
**WARNING:** This product can expose you to chemicals including Nickel, which is known to the State of California to cause cancer. For more information go to: [www.P65Warnings.ca.gov](http://www.P65Warnings.ca.gov)

Instructions #08478 (EG2084 - Rev. 4/23/25)

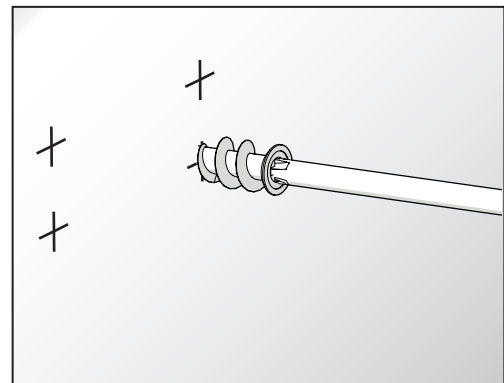


404-344-0000 • [www.tiedown.com](http://www.tiedown.com)  
605 Stonehill Drive SW, Atlanta, GA 30336  
[sales@tiedown.com](mailto:sales@tiedown.com)

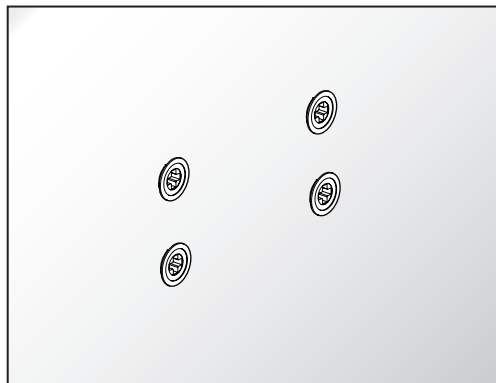
## Floating Shelf Bracket Kit Installation Instructions



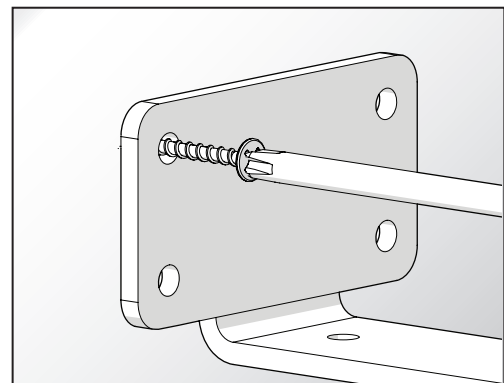
Tap the drywall screw in lightly using a hammer. Stop hammering when the shoulder of the screw contacts the wall.



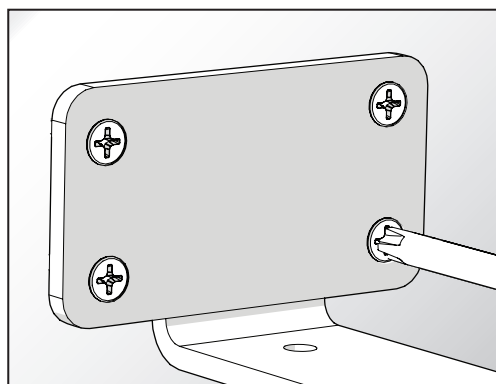
Using a Phillips head screwdriver, drive the drywall screw into the wall until the screw head is flush with the surface.



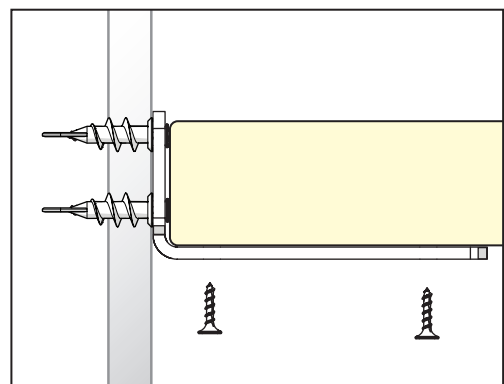
Repeat installation for the remaining drywall screws.



Position and hold the shelf bracket in place. Insert a #10 screw through the bracket and into the drywall anchor. Loosely tighten the screw to allow for adjustment. Repeat this process for the remaining screws.



Check for final alignment. Fully tightening all screws to secure the bracket in place.



Place and align the shelf in its final position on top of the mounted brackets. From the underside of the brackets, mark and pre-drill four holes into the shelf. Secure the shelf to the brackets using the provided 4 – 3/4" screws.