






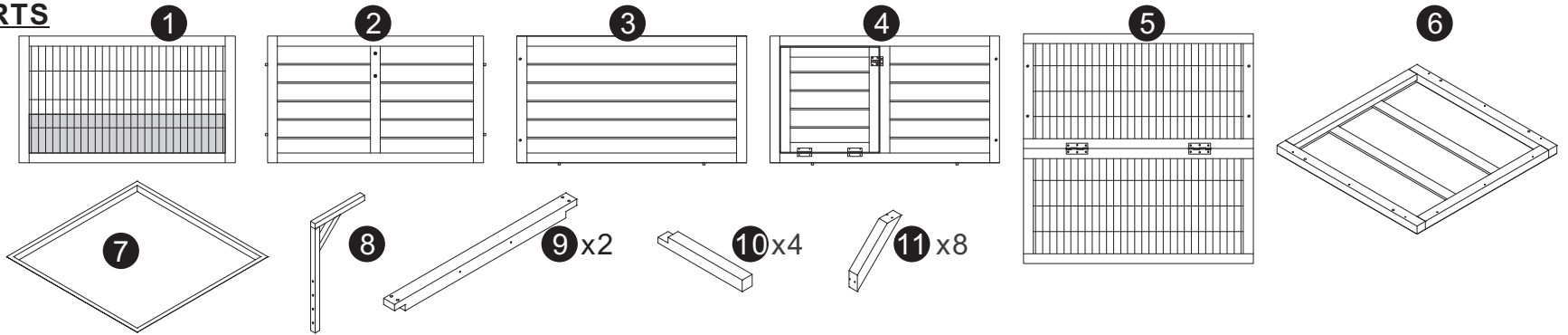


ASSEMBLY INSTRUCTION

DDP-2555

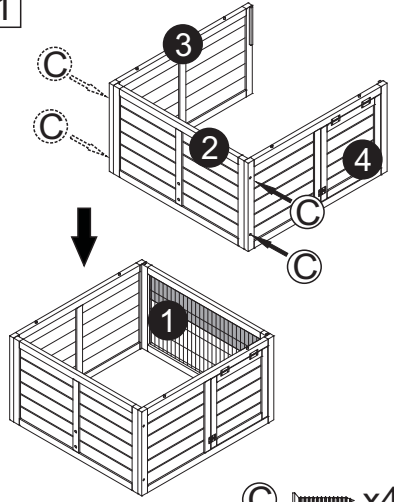
PARTS


- (A)  3.5x60=13+1pcs
- (B)  3.5x50=32+2pcs
- (C)  3.5x45=16+1pcs
- (D)  3.0x16=12+1pcs
- (E)  M6x40=2+1pcs
- (F)  3pcs
- (G)  1pc



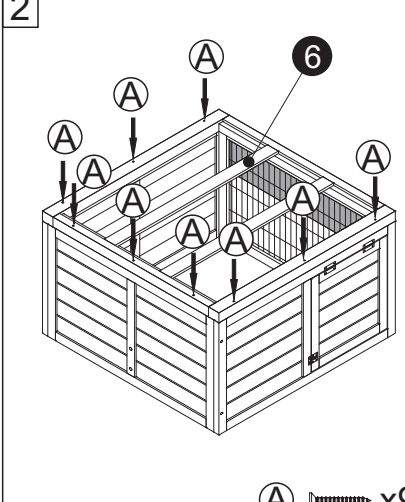
ASSEMBLY


1



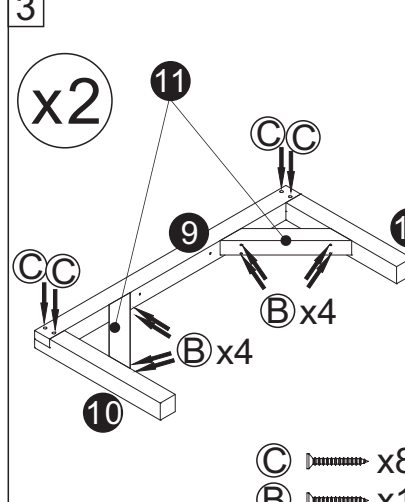
(C)  x4



2



(A)  x9

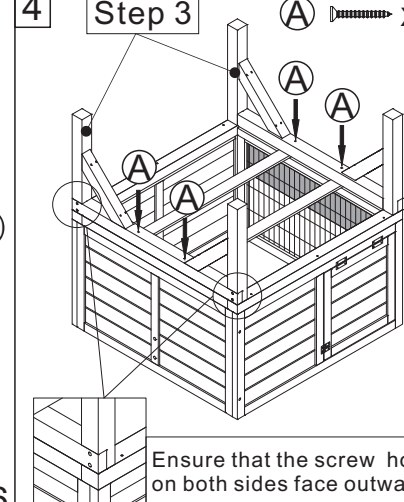
3




(C)  x8
(B)  x16

4

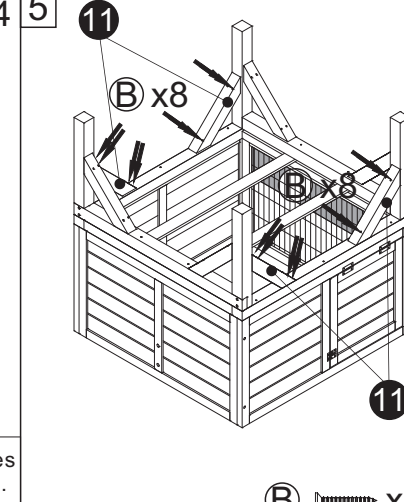
Step 3




(A)  x4

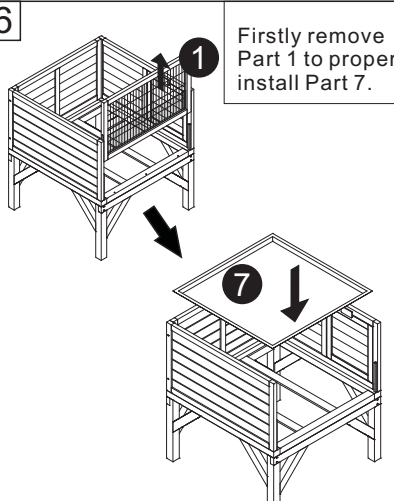
Ensure that the screw holes on both sides face outward.

5



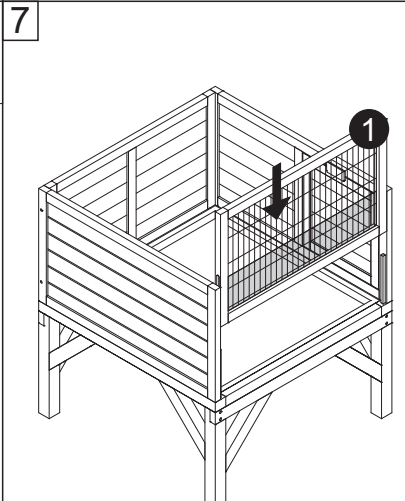
(B)  x16

6

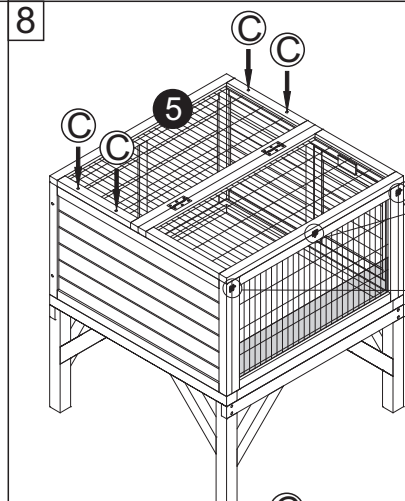





Firstly remove Part 1 to properly install Part 7.

7

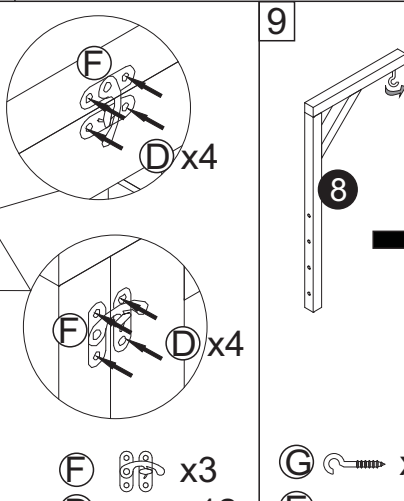




8



(C)  x4
(F)  x3
(D)  x12

9



(G)  x1
(E)  x2