
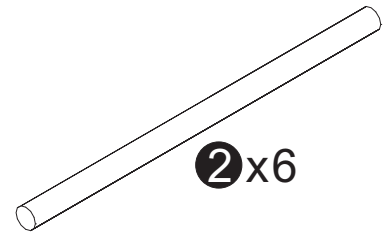
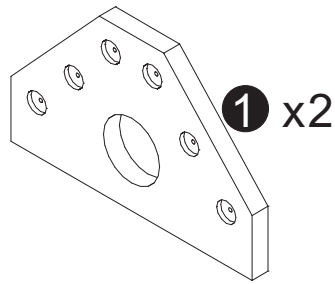


# ASSEMBLY INSTRUCTION

DDP-2522

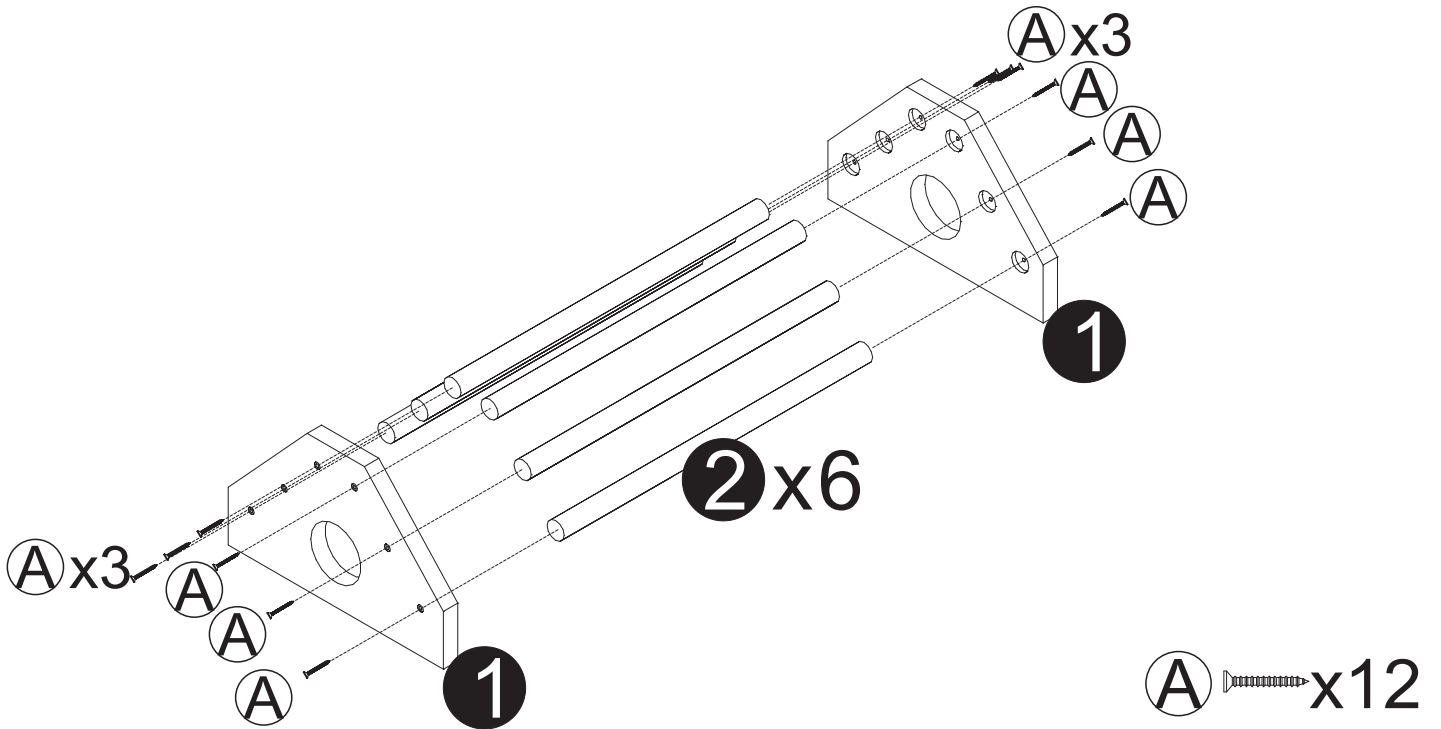
**A**  3.0x35=12+1pcs

## PARTS



## ASSEMBLY

1



2

