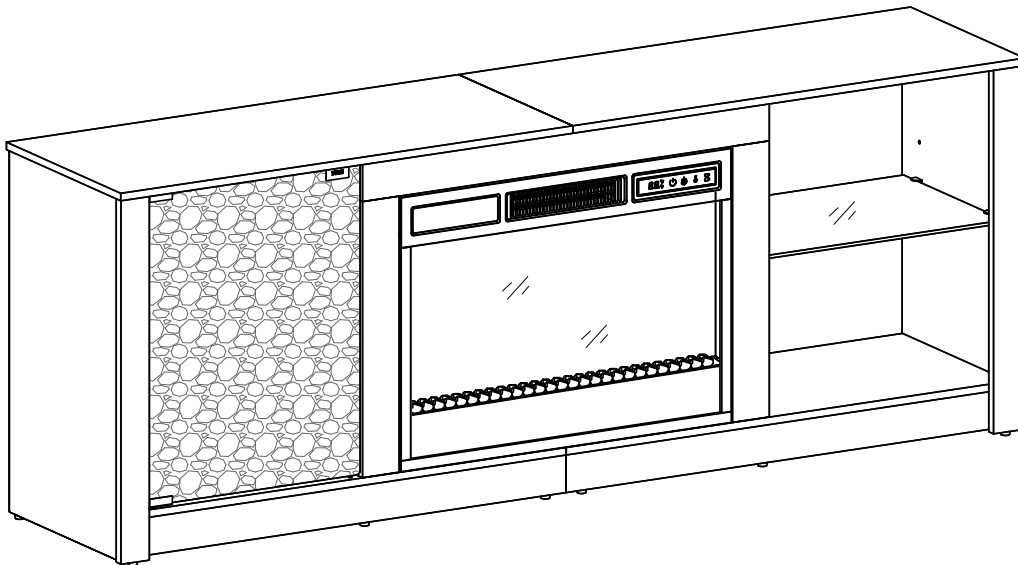


Bestier

V001-061425-GO

ASSEMBLY INSTRUCTION

Date of Purchase _ / _ / _
Lot Number:



THIS INSTRUCTION BOOKLET CONTAINS IMPORTANT SAFETY INFORMATION. PLEASE READ AND KEEP FOR FUTURE REFERENCE.



Know more about Bestier from



CUSTOMER SUPPORT

CONTACT US BY:
PHONE: 888-666-1086
EMAIL: Service@bestier.net

Thanks for choosing Bestier!
Feel free to contact us if you need any help.
Please kindly share your shopping experience with us on the platform if you are satisfied with it.

⚠ WARNING

- Unit can tip over causing severe injury or death.
- Anchor unit to stud in wall (if instructed to).
- Do Not allow children to climb on unit.
- Put heavy items on lower shelves or drawers.

HELPFUL HINTS

⚠️ BEFORE YOU START

- Inspect product packaging to ensure the appearance is good.
- Read the assembly instruction carefully and follow it step by step.
- To avoid any scratching, putting a soft blanket on the floor is suggested.
- Identify, sort and count all the parts with tags.
- Find out installation position according to the drawing and install it in correct steps.



OTHER

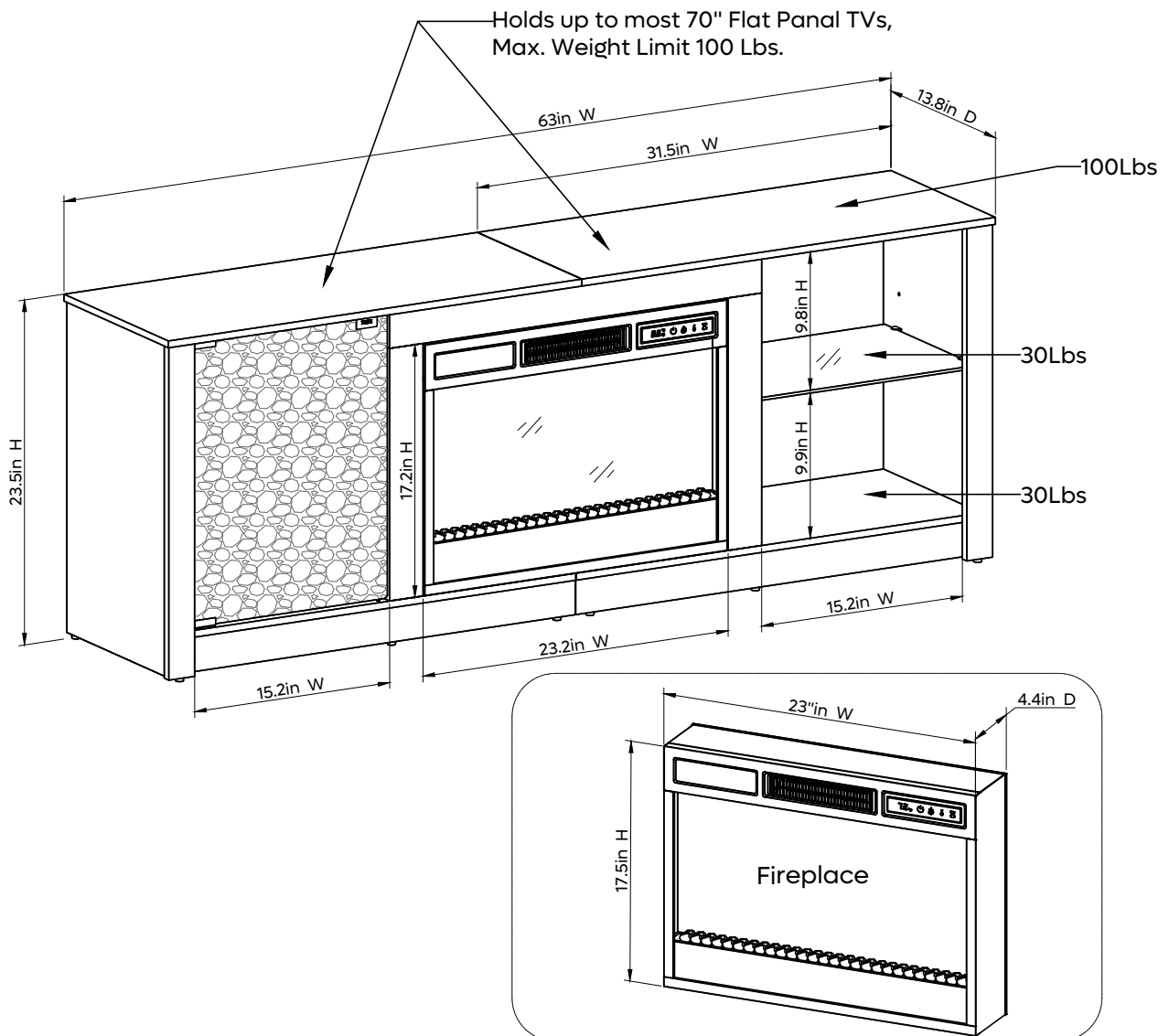
- People needed for assembly: 1-2.
- Estimated assembly time: 1-1.5h.

⚠️ CAUTION

- Be cautious when using a power drill or power screwdriver.
- Please be aware to slow down and stop when screw is nearly tight.
- Do Not use any harsh chemicals or abrasive cleaners for this item.
- Push, pull or drag this item carefully.

Dimensions & Weight Capacity

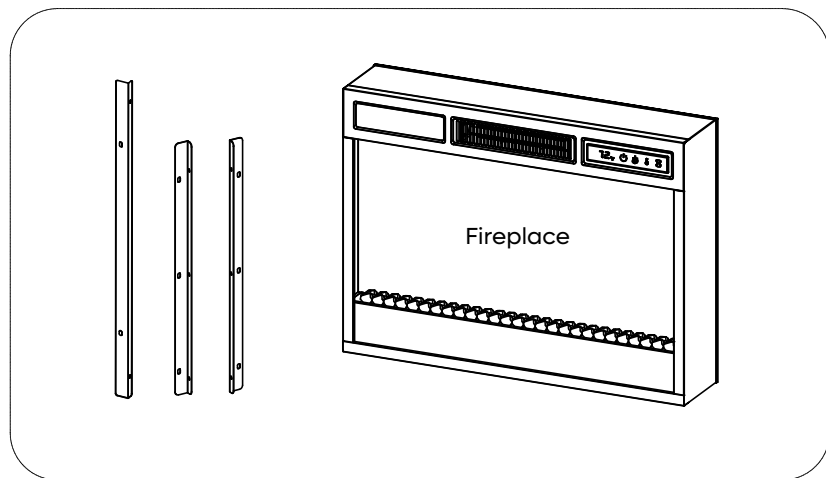
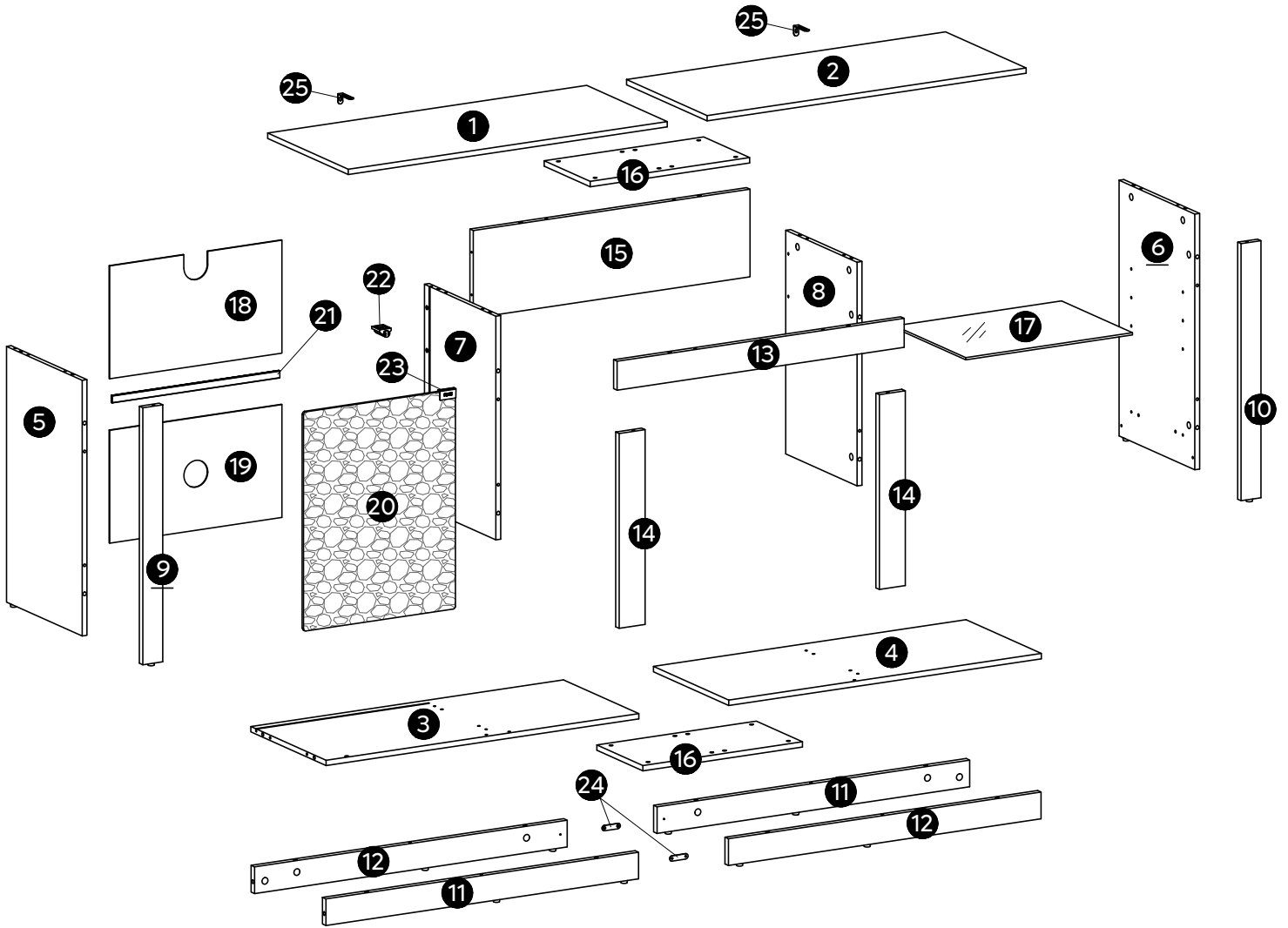
UNIT: INCH



⚠️ WARNING: THIS PRODUCT IS INTENDED TO HOLD THE MAXIMUM WEIGHT (EVENLY DISTRIBUTED) INDICATED. EXCEEDING THE MAXIMUM WEIGHT WILL RESULT IN INSTABILITY AND MAY CAUSE POSSIBLE INJURY.

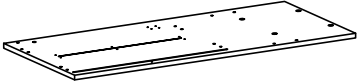
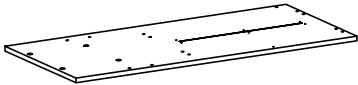
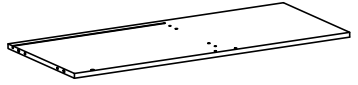
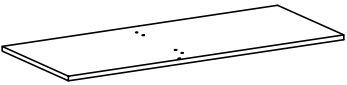
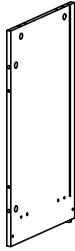
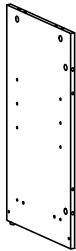
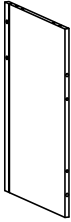
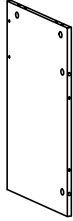


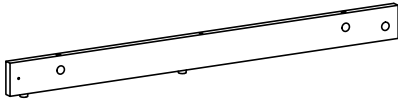
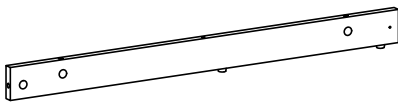


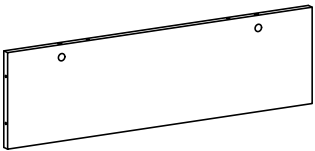
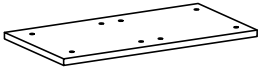
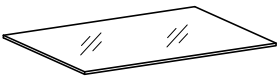
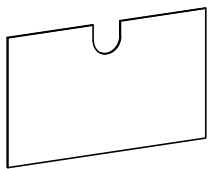
DETAILS

Not actual size



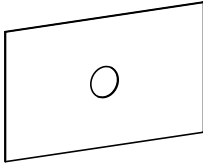
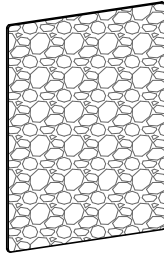

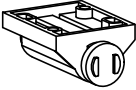
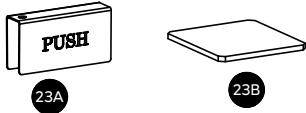
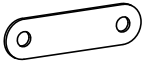

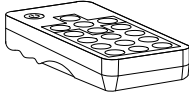
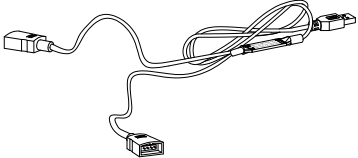
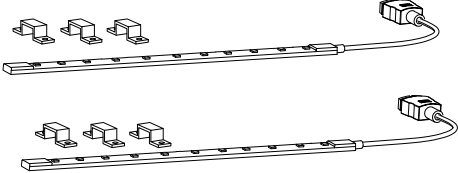
PART LIST

Not actual size

<p>1</p>  <p>Left Panel(Top) X1</p>	<p>2</p>  <p>Right Panel(Top) X1</p>	<p>3</p>  <p>Left Panel(Bottom) X1</p>
<p>4</p>  <p>Right Panel(Bottom) X1</p>	<p>5</p>  <p>Left Panel X1</p>	<p>6</p>  <p>Right Panel X1</p>
<p>7</p>  <p>Left Partition X1</p>	<p>8</p>  <p>Right Partition X1</p>	<p>9</p>  <p>Left Vertical Rail X1</p>
<p>10</p>  <p>Right Vertical Rail X1</p>	<p>11</p>  <p>Front Panel Connector X2</p>	<p>12</p>  <p>Bottom Panel Connector X2</p>
<p>13</p>  <p>Horizontal Rail X1</p>	<p>14</p>  <p>Vertical Rail X2</p>	<p>15</p>  <p>Back Panel X1</p>
<p>16</p>  <p>Bottom Connector X2</p>	<p>17</p>  <p>Adjustable glass X1</p>	<p>18</p>  <p>Top Back Panel X1</p>

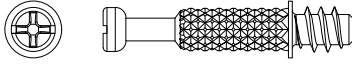
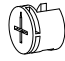
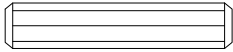
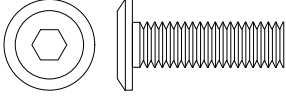
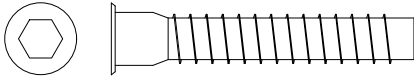
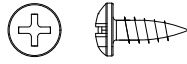

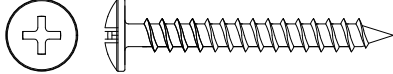
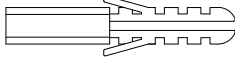

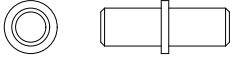
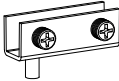
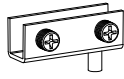


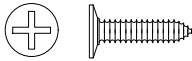
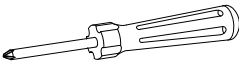

PART LIST

Not actual size

<p>19</p>  <p>Bottom Back Panel X1</p>	<p>20</p>  <p>Door X1</p>	<p>21</p>  <p>X1</p>
<p>22</p>  <p>Magnetic Push X1</p>	<p>23</p>  <p>U Bracket X1</p>	<p>24</p>  <p>Connector X2</p>
<p>25</p>  <p>L Bracket X4</p>	<p>26</p>  <p>Remote X1</p>	<p>27</p>  <p>USB power cable X1</p>
<p>005A-350*2 LED</p>  <p>X1</p>		

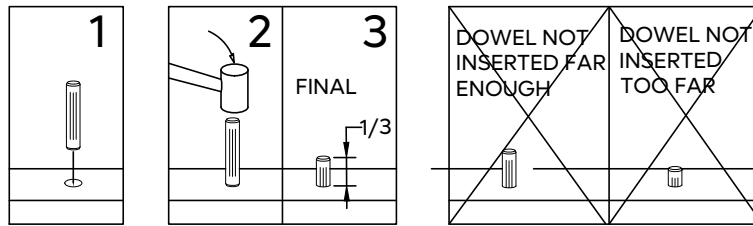
ACCESSORY LIST

Not actual size

A	ST6x33mm	36+2		cam bolt
B	Ø15mm	36+2		cam lock
C	Ø6x30mm	38+4		wood dowel
D	Ø1/4"x20mm	16+1		Screw
E	ST6x40mm	8+1		Screw
F	ST3.5x10mm	24+1		Round head screw
G		4		Glass Bracket
H	ST4x35mm	2		
I	Ø8mm	2		
J		1		
K		1		Door stop
L		1		Top Pivot Hinge
M		1		Bottom Pivot Hinge
N		8+1		Backboard buckle
O		2		Plastic Nut
P	ST3x14mm	8+1		Flat head screw
		1		
	M4	1		

Important

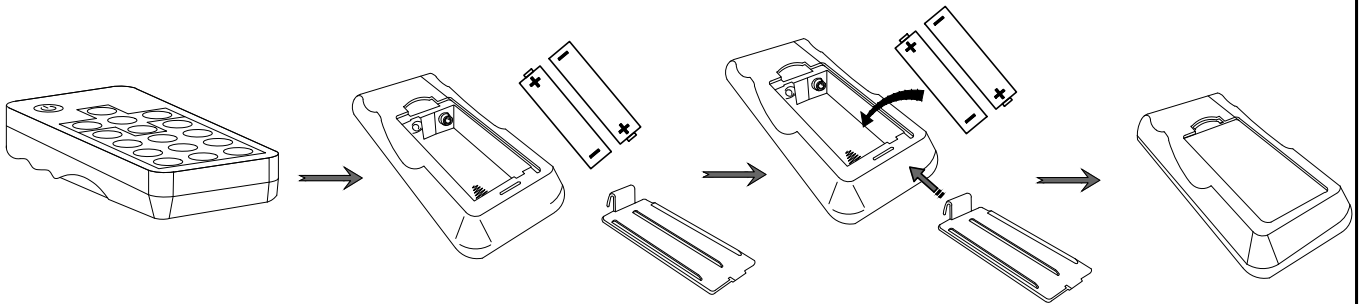
Insert Dowels **ABOUT 2/3** into the Edges of the panels. **IF NECESSARY** tap Dowels Lightly with a rubber mallet.



Cam Lock/Dowel Placement Supplement

<p>1</p> <p>CORRECT</p> <p>When inserting the Cam Lock, make sure that the Open End of the Cam Lock faces the Cam Screw Entry. The Dowel will be inserted in the hole NEXT to the Cam Lock/Cam Screw Hole.</p>	<p>2</p> <p>INCORRECT</p> <p>The Cam Lock is backwards in this illustration. The Cam Screw can not connect to the Cam Lock because the Dowel is in the incorrect hole.</p>	<p>3</p> <p>To tighten, turn the Cam Lock CLOCKWISE until the arrow signs point AWAY from the connected Panel.</p> <p>※NOTE: DO NOT USE AN AUTOMATIC SCREWDRIVER TO TIGHTEN CAM LOCKS, DO NOT OVER-TIGHTEN.</p>
--	--	---

※Remote control battery installation procedure



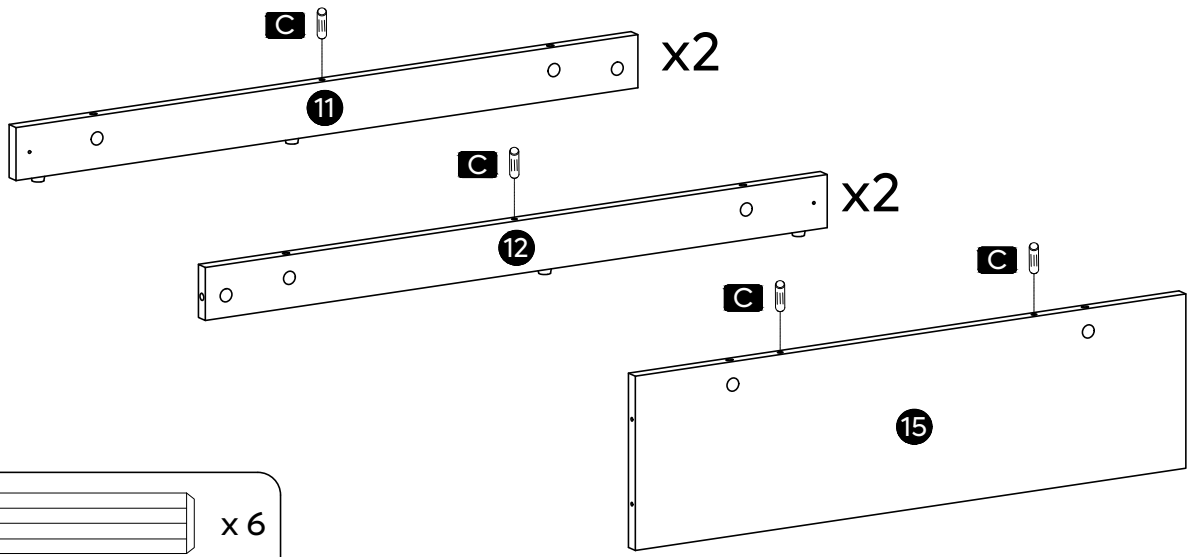
1. The battery compartment is located on the back end of the remote control.
2. Press and slide the battery door open.
3. Insert 2 AAA batteries, checking that the + and - sides of the battery match inside the battery compartment.
4. Replace the battery compartment door.
5. Batteries are not included in the package due to safety transportation.

Note:

- A. Do not mix old and new batteries together in the remote.
- B. Do not mix alkaline, standard(carbon-zinc), or rechargeable (NiCad, NiMh, etc.) batteries together.

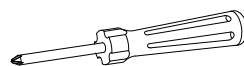
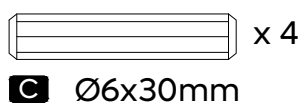
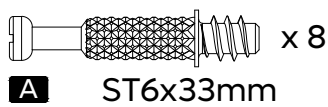
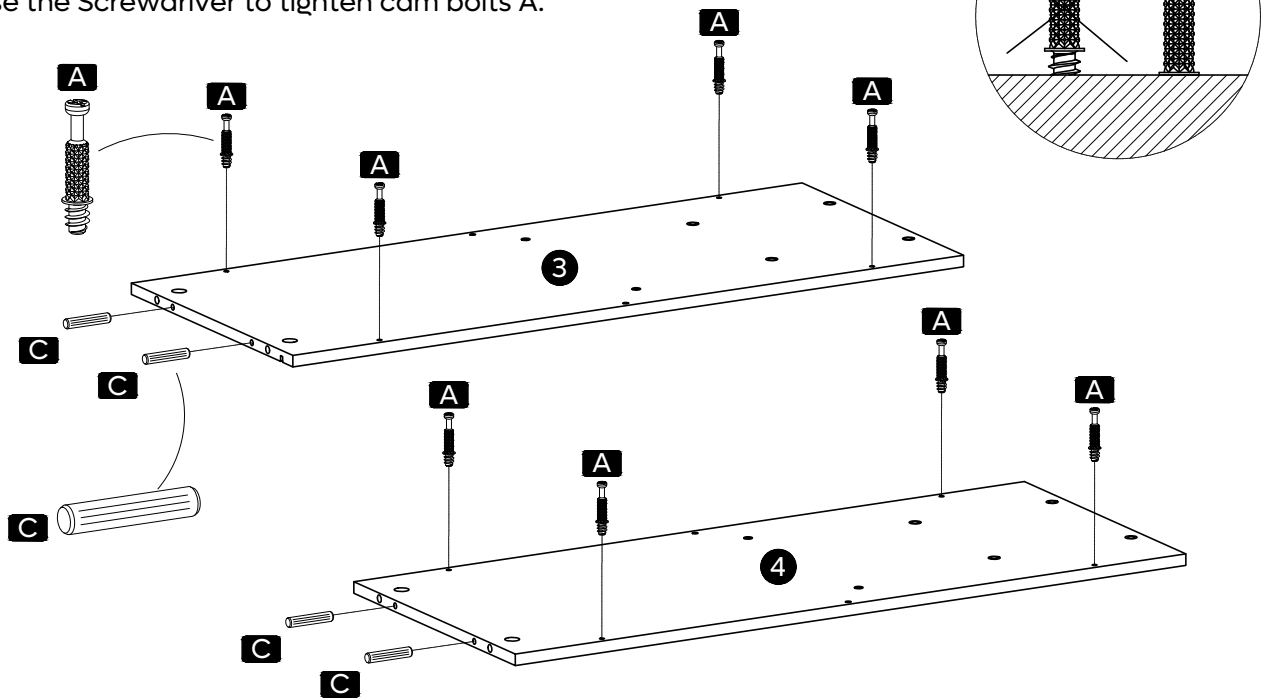
1

Insert Wood Dowel C into Front Panel Connector 11, Bottom Panel Connectors 12 and Back Panel 15.



2

Insert Wood Dowels C and cam bolts A to Left Panel (Bottom) 3 and Right Panel (Bottom) 4.
 1. Insert cam bolts A about 3/4 into the edges of the panels.
 2. Use the Screwdriver to tighten cam bolts A.

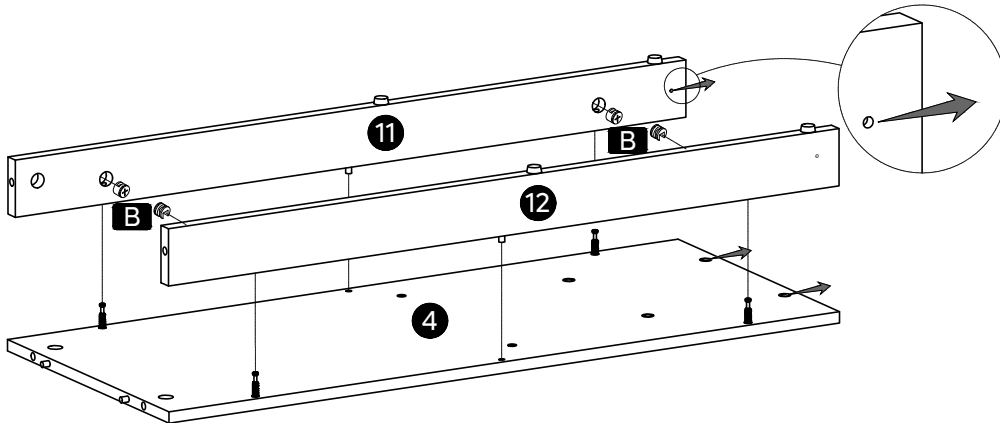
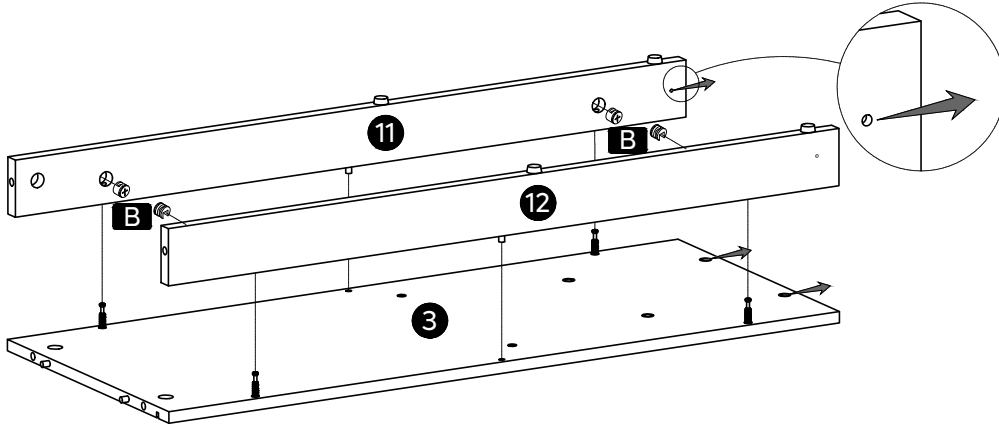
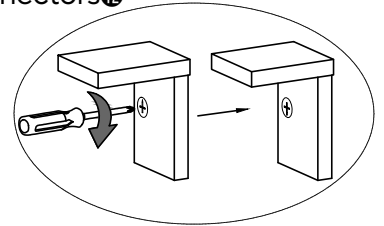


3

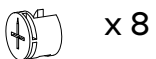
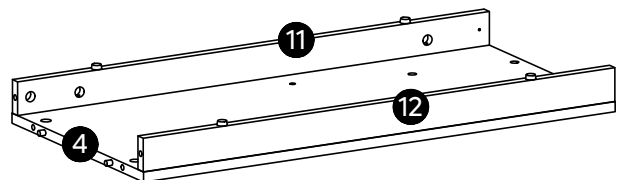
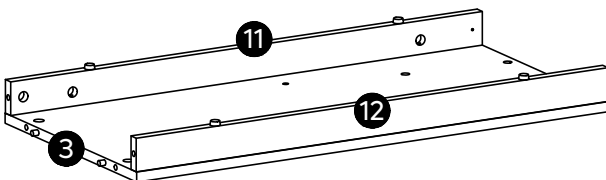
Connect Step 1 and Step 2 together.

Insert the cam lock B to Front Panel Connector 11 and Bottom Panel Connectors 12

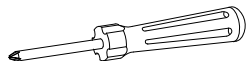
Use Screwdriver to tighten the cam lock B (refer P6).



Step 1-3 complete 2 base part

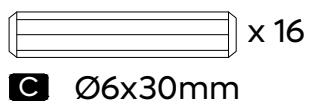
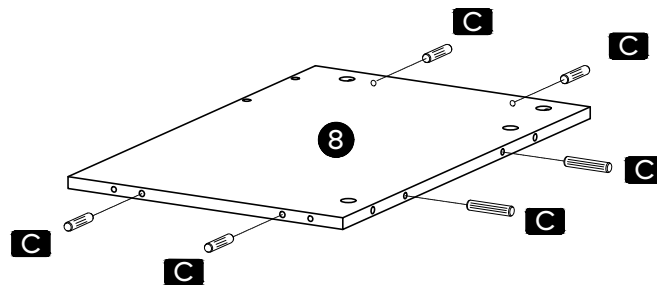
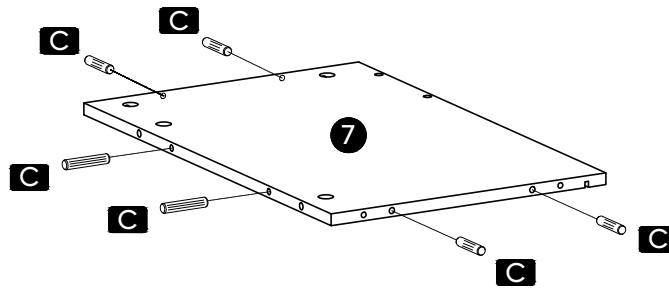
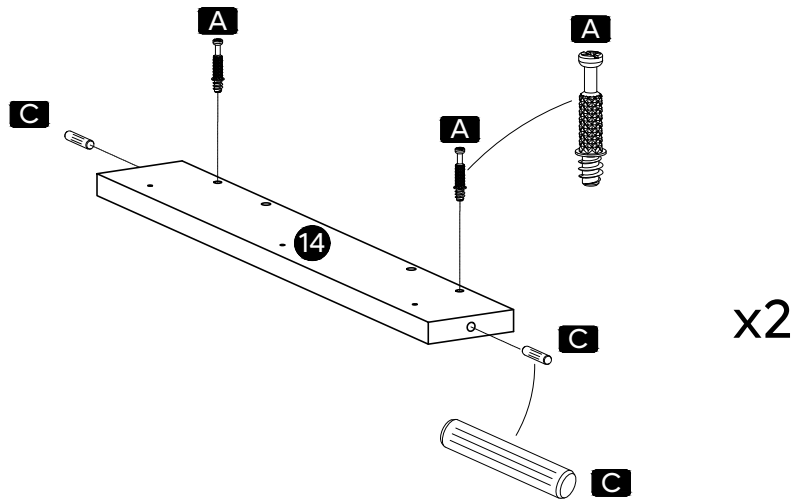
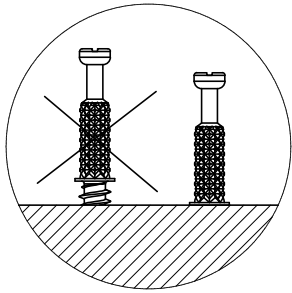


B Ø15mm



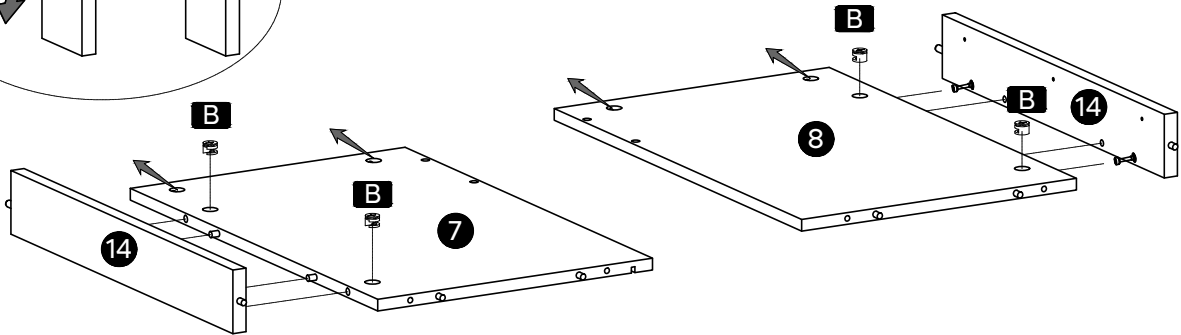
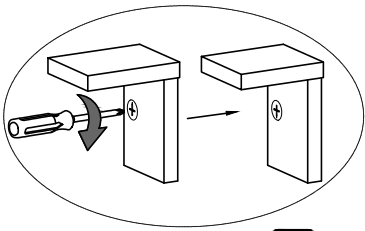
4

Insert Wood Dowels C to Left Partition 7, Right Partition 8 and Vertical Rail 14.
Use Screwdriver to install cam bolt A into Vertical Rail 14.

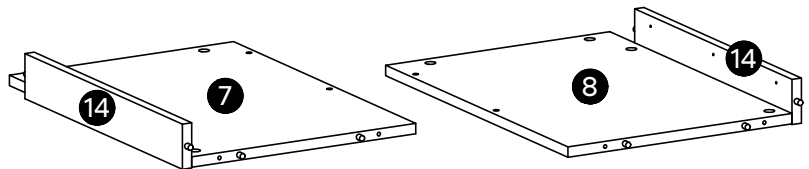


5

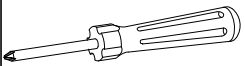
Insert cam locks B to Left Partition **7** and Right Partition **8**.
Use Screwdriver to tighten the cam lock B, connect Vertical Rail **14**.



Step 4-5 complete middle board part

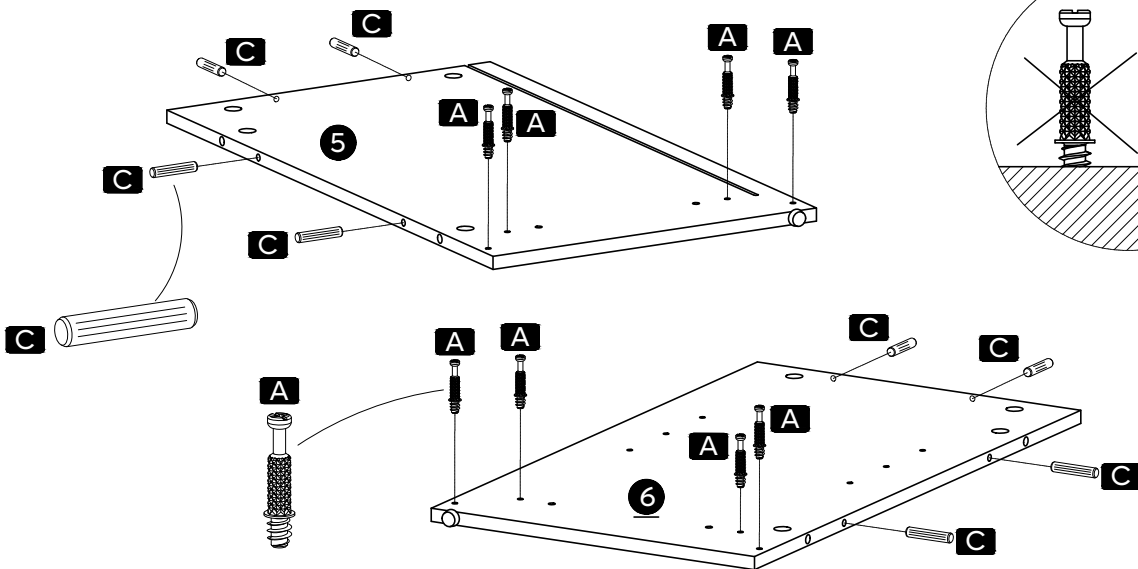


B x 4
Ø15mm



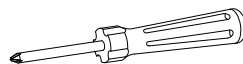
6

Insert wood dowel C into Left panel **5** and Right Panel **6**.
Use Screwdriver to install the cam bolt A into Left panel **5** and Right Panel **6**.



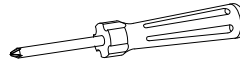
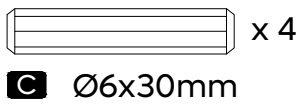
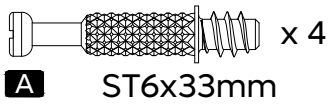
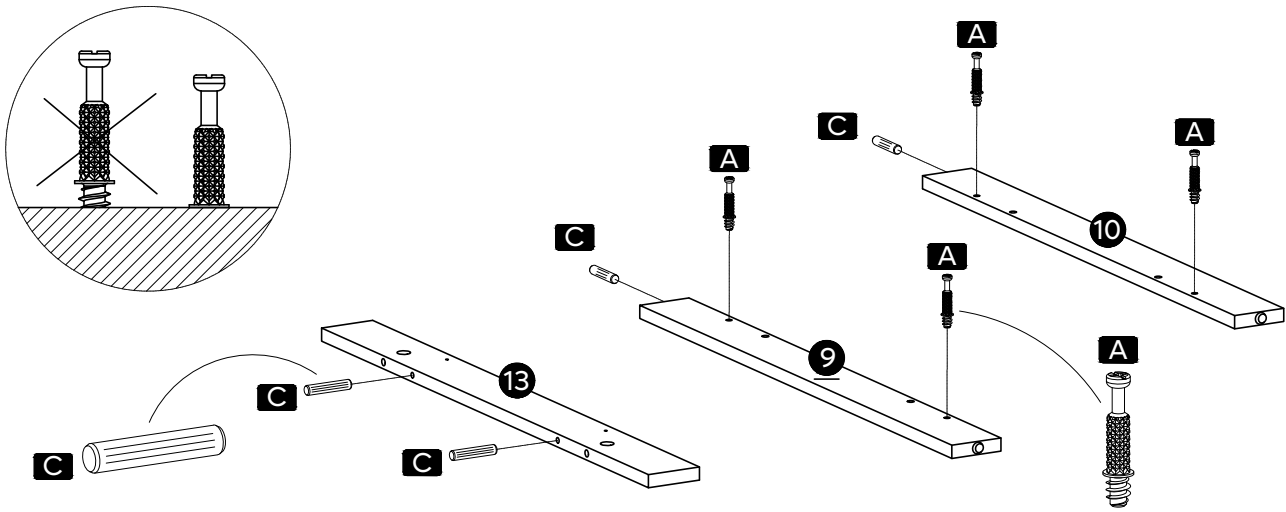
A x 8
ST6x33mm

C x 8
Ø6x30mm



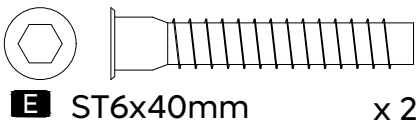
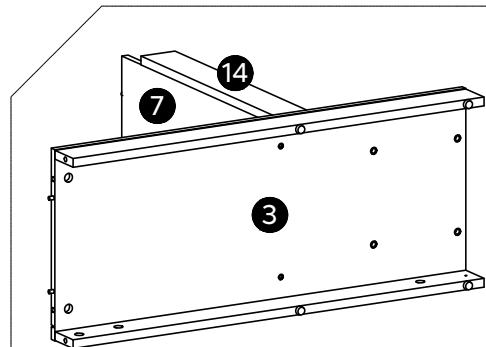
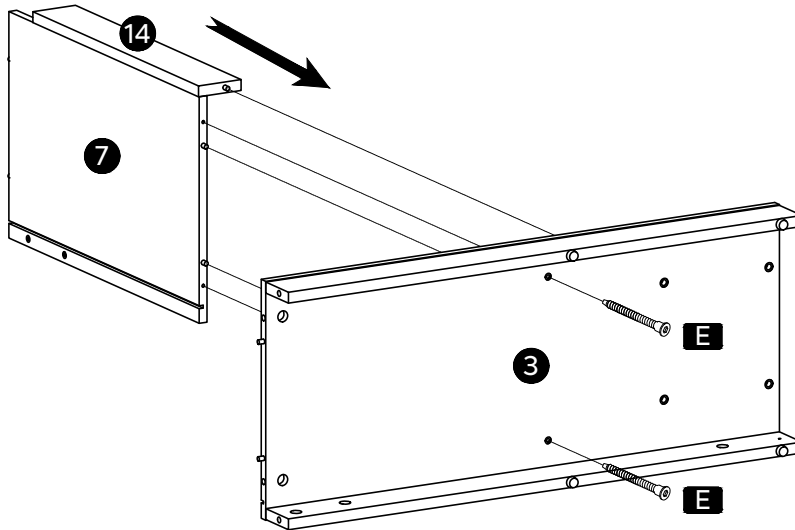
7

Insert wood dowel C to Left Vertical Rail 9 and Right Vertical Rail 10 and Horizontal Rail 13.
Use Screwdriver to install cam bolt into Left Vertical Rail 9 and Right Vertical Rail 10.



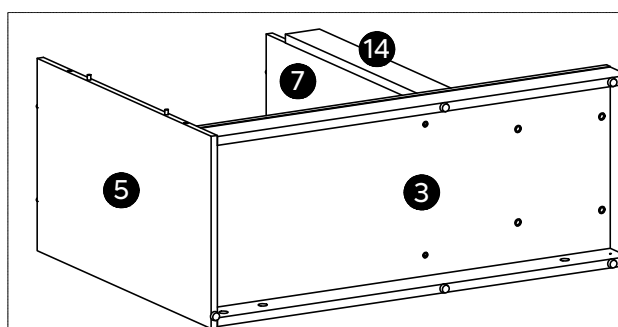
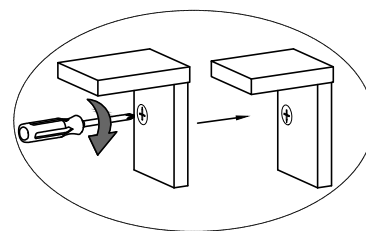
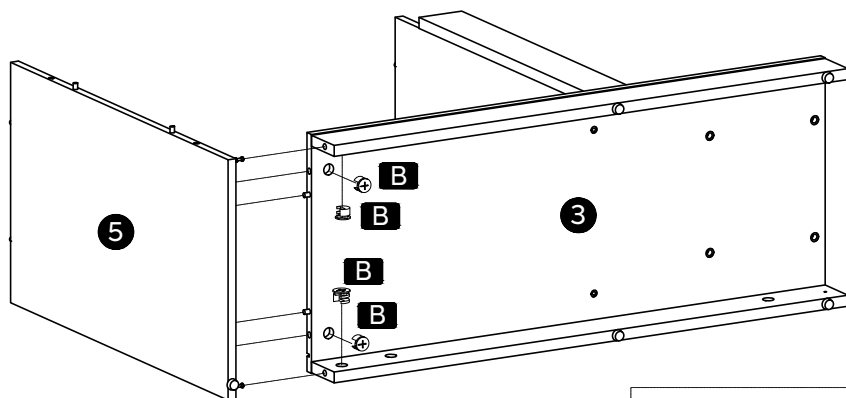
8

Assemble the bottom panel (3 11 12) and left partition (7 14).
Use M4 tool to tighten BOLT E for connection.

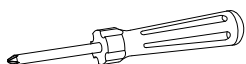


9

Attach Left Panel **5** to step 9.
 Insert cam lock **B** to Assemble the bottom panel (**3** **11** **12**)
 and use Screwdriver to tighten.

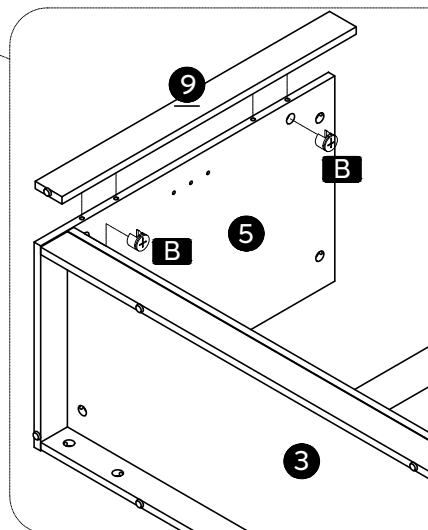
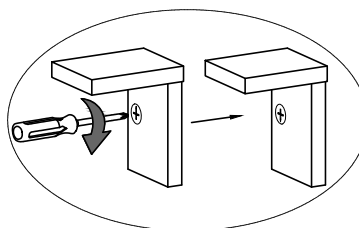
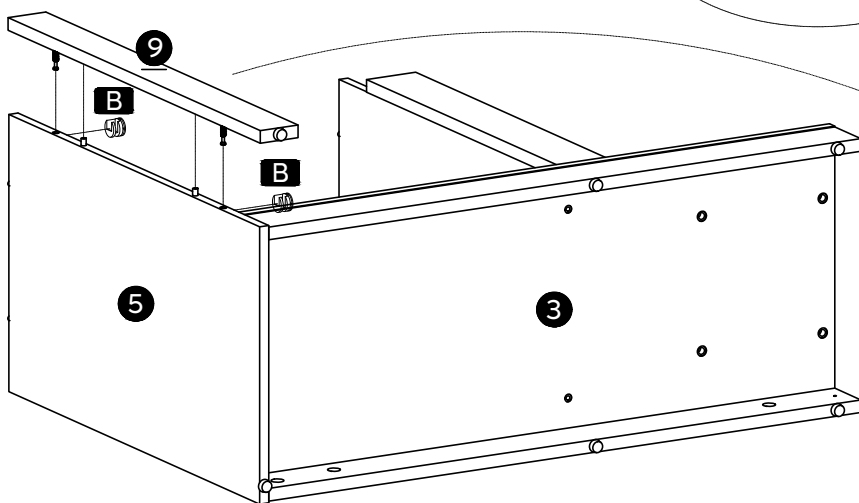


B Ø15mm

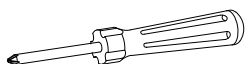


10

Attach Left Vertical Rail **9** to Left Panel **5**.
 Insert cam lock **B** to Left Panel **5**
 and use Screwdriver to tighten.



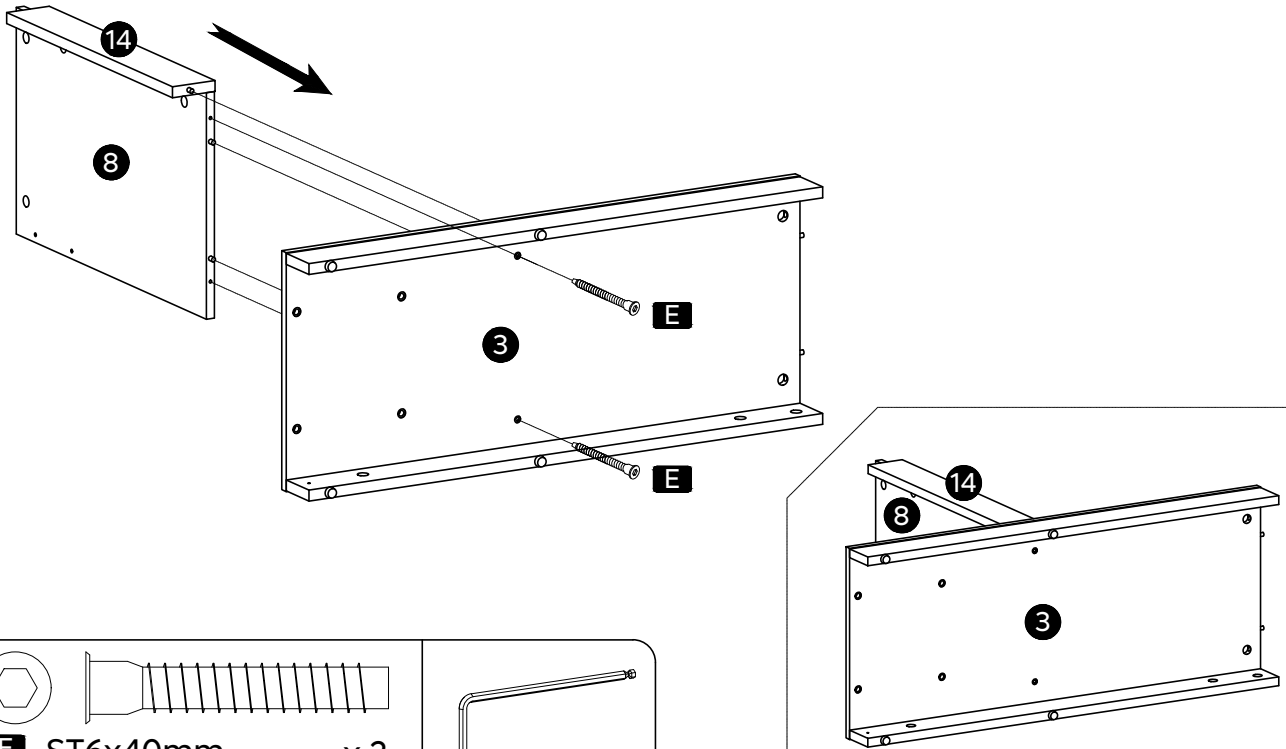
B Ø15mm



It is recommended to place the product
 in the direction of the manual

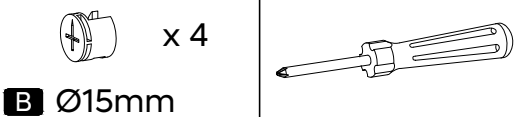
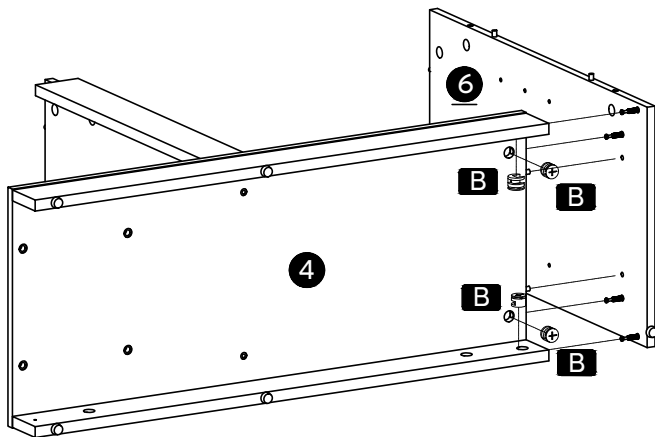
11

Assemble the bottom panel(4)(11)(12) and right partition(8)(14).
Use M4 tool to tighten BOLT E for connection.



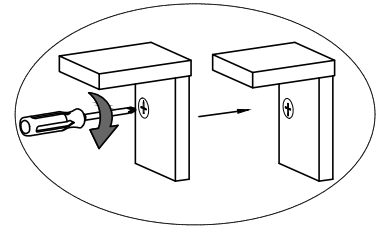
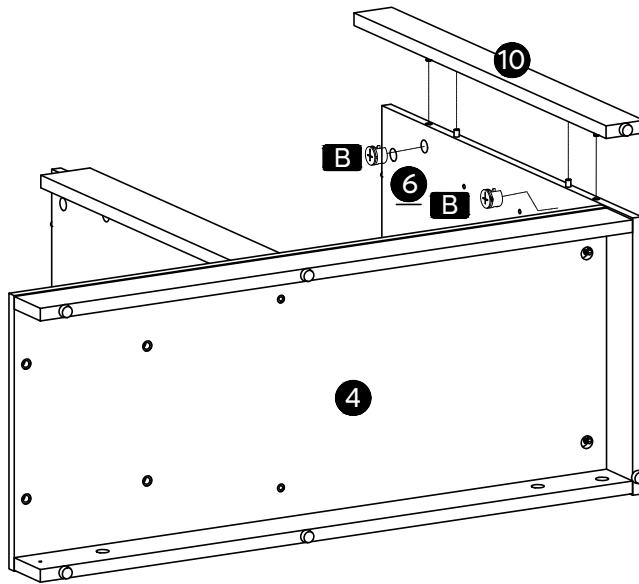
12

Attach Right Panel(6) to step 11.
Insert cam lock B to Assemble the bottom panel(4)(11)(12)
and use Screwdriver to tighten.

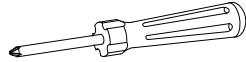


13

Attach Left Vertical Rail **10** to Right Panel **6**.
Insert cam lock **B** to Right Panel **6**
and use Screwdriver to tighten.



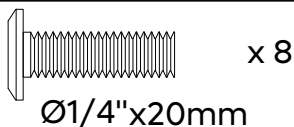
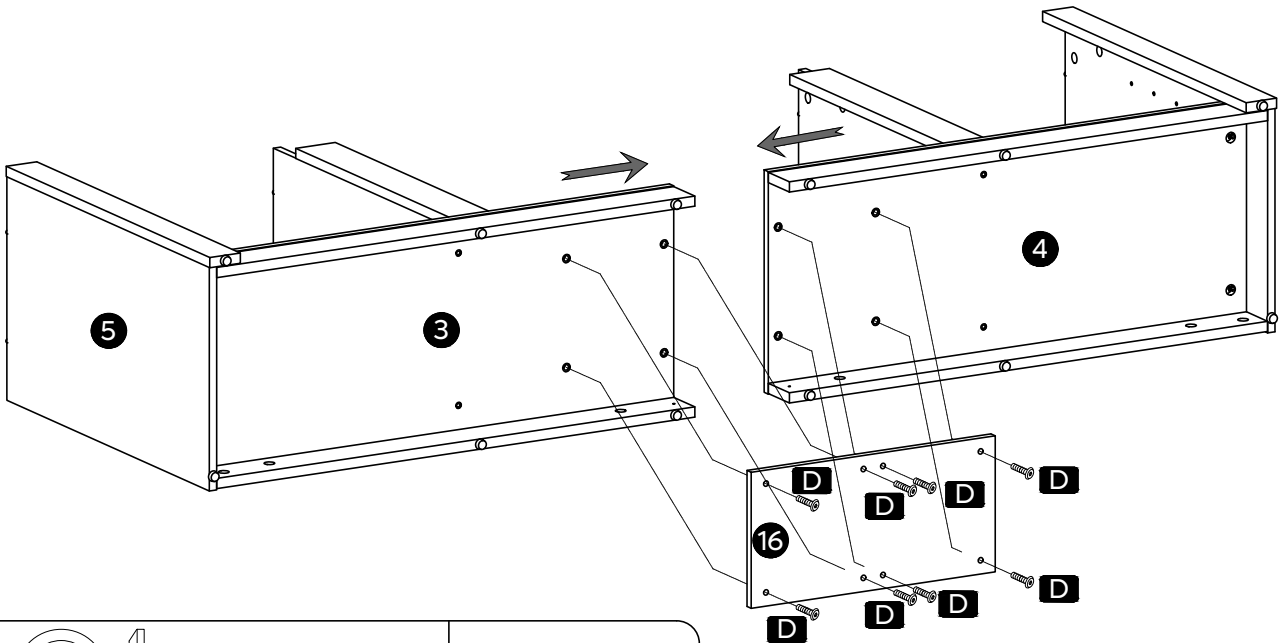
B Ø15mm



It is recommended to place the product
in the direction of the manual

14

Use Bottom Connector **16** to connect Step 10 and Step 13.
1. Install Screw **D** to Bottom Connector **16**.
2. Use M4 tool to tighten.



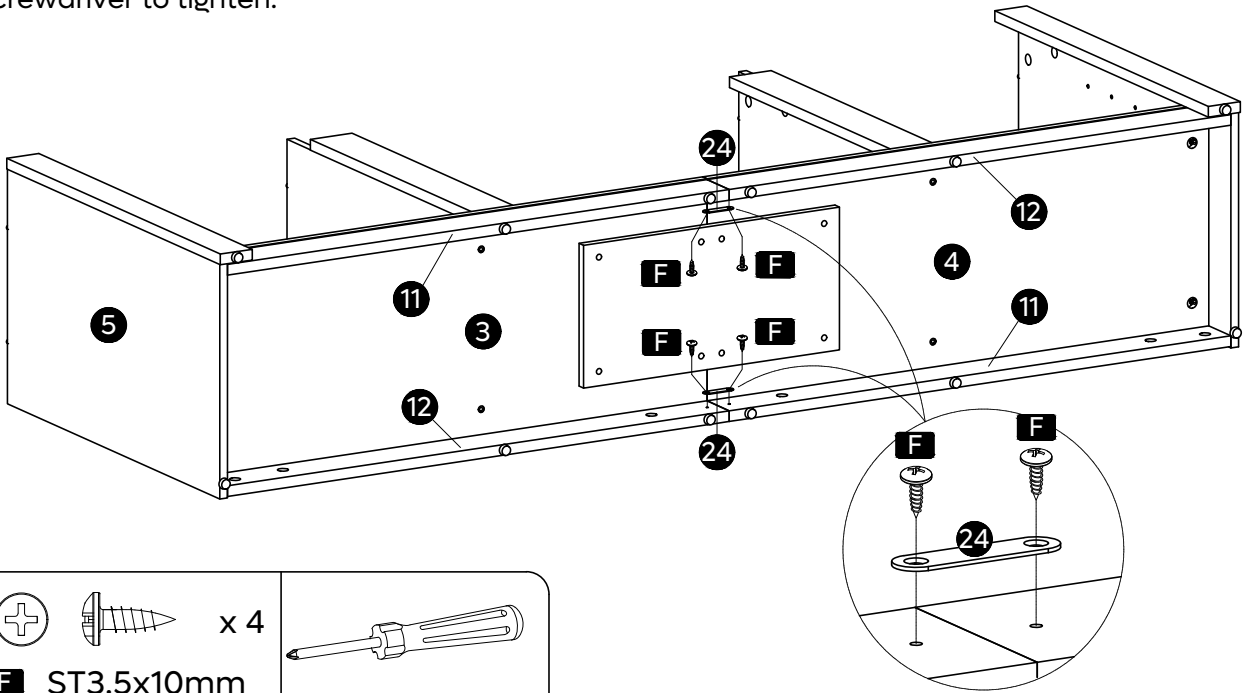
D

Ø1/4"x20mm

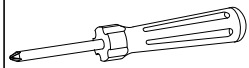


15

Use the round head screw F to install connector 24 to up and down board.
Screwdriver to tighten.

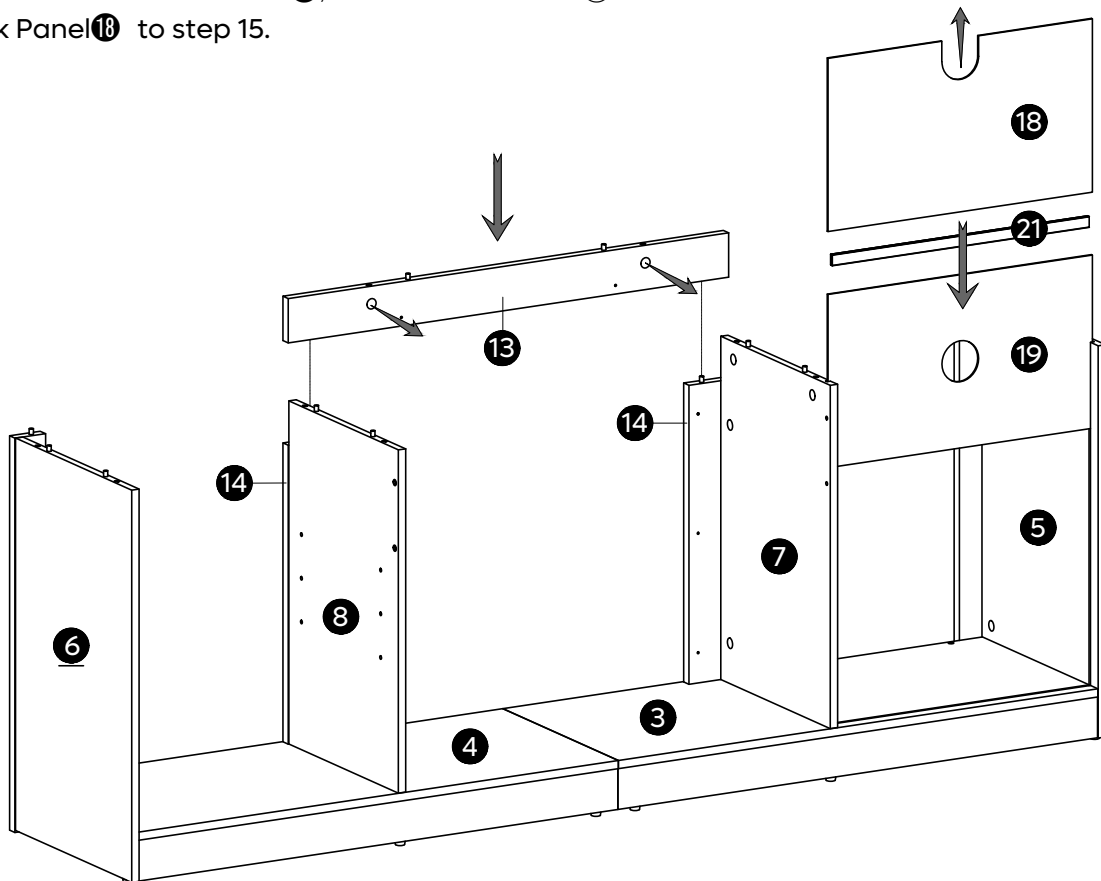



 x 4
F ST3.5x10mm



16

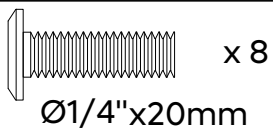
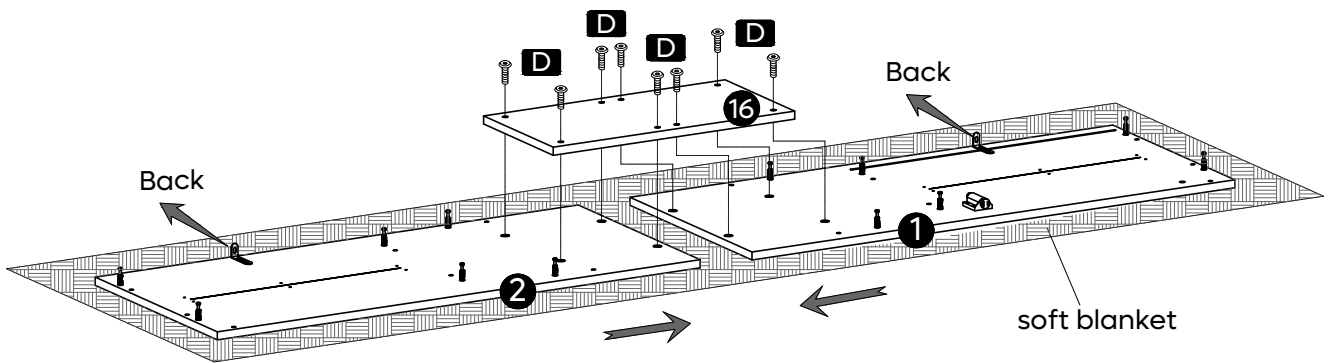
Attach the Horizontal Rail **13** to step 15.
Attach the Bottom Back Panel **19**, Connect Panel Bar **21** and
Top Back Panel **18** to step 15.

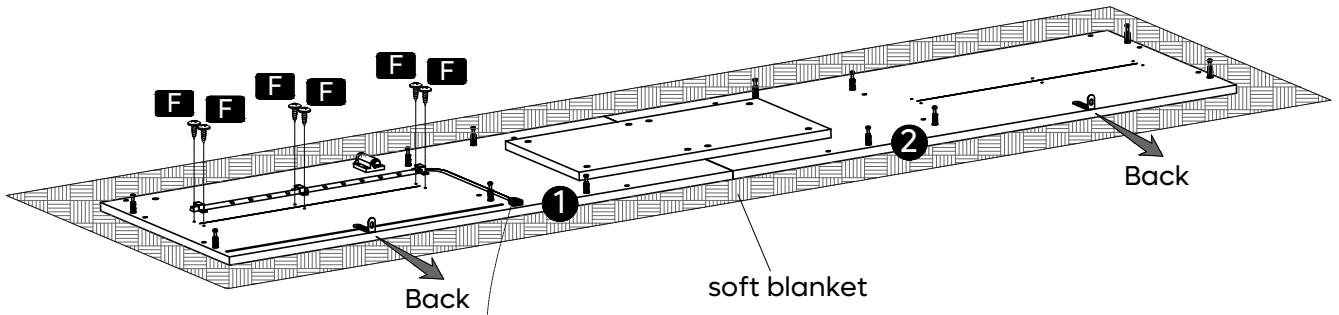


Use Bottom Connector**16** to connect Left Panel(Top)**1** and Right Panel(Top)**2**.

1.Install Screw D to Bottom Connector**16**.

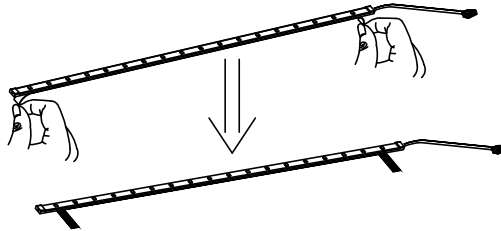
2.Use M4 tool to tighten.



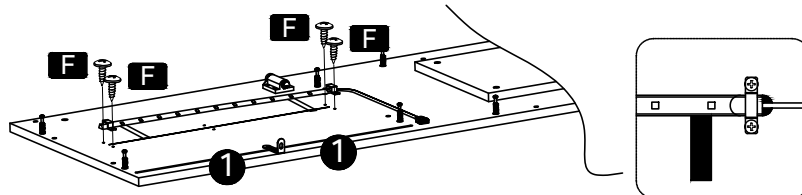


Detailed Installation for LED Strip

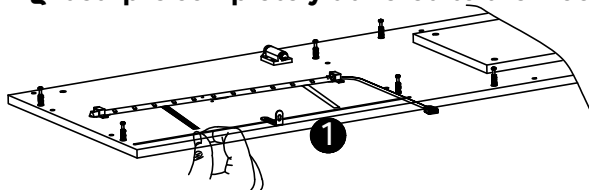
- 1** ◦ Remove about 25mm (1") of adhesive tape at both ends of LED light strip.



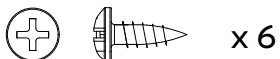
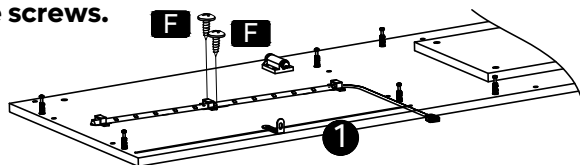
- 2** ◦ The head and tail of the LED light strip are stuck into the grooves at both ends, and the fixing parts at both ends are locked with screws.



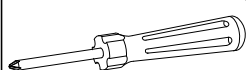
- 3** ◦ Tear off the whole protective paper, and flatten the strip light so that the LED light strip is completely adhered to the wood.

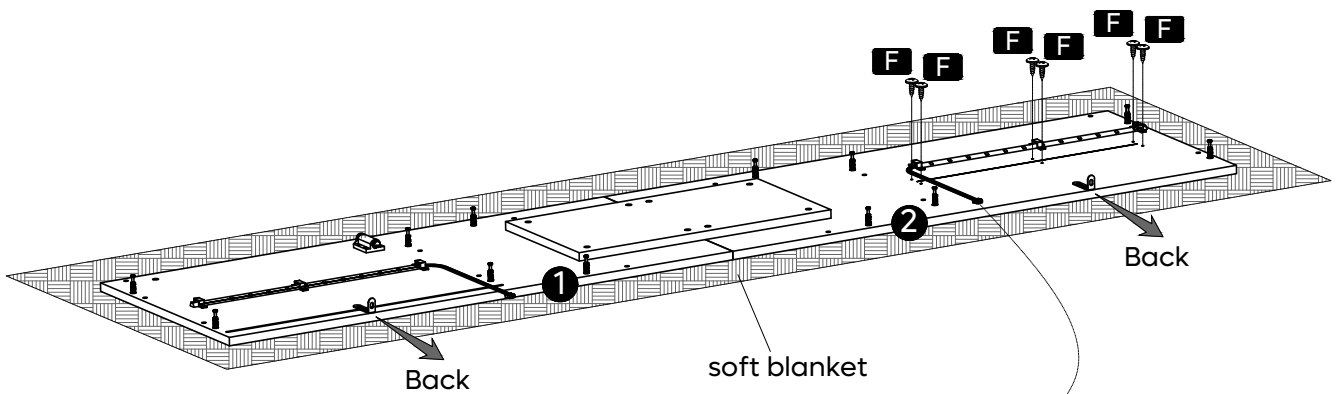


- 4** ◦ Lock the remaining fixings. Pls make sure to tighten the screws.



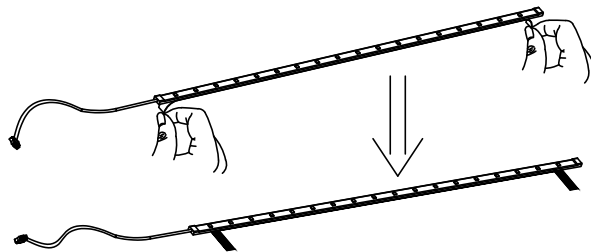
F ST3.5x10mm



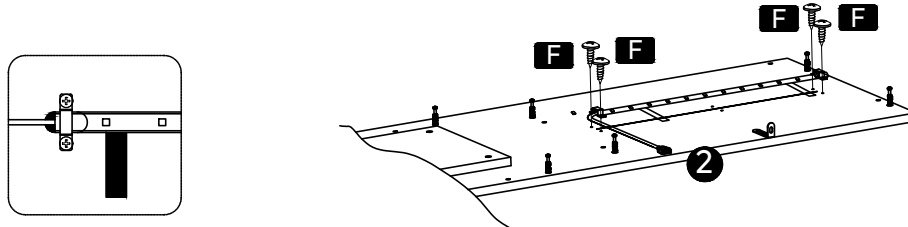


Detailed Installation for LED Strip

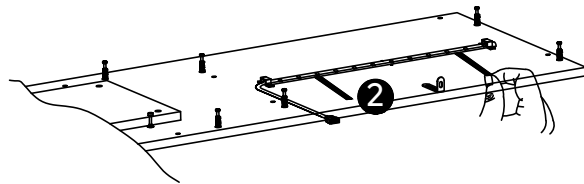
- 1** ◦ Remove about 25mm (1") of adhesive tape at both ends of LED light strip.



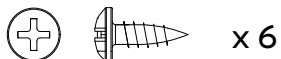
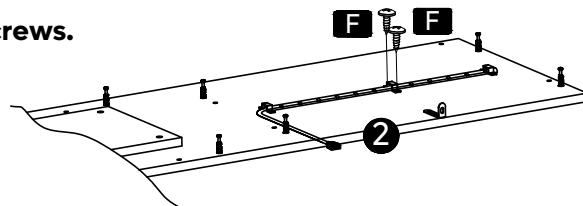
- 2** ◦ The head and tail of the LED light strip are stuck into the grooves at both ends, and the fixing parts at both ends are locked with screws.



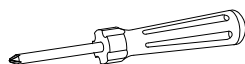
- 3** ◦ Tear off the whole protective paper, and flatten the strip light so that the LED light strip is completely adhered to the wood.



- 4** ◦ Lock the remaining fixings.
Pls make sure to tighten the screws.

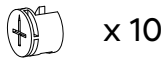
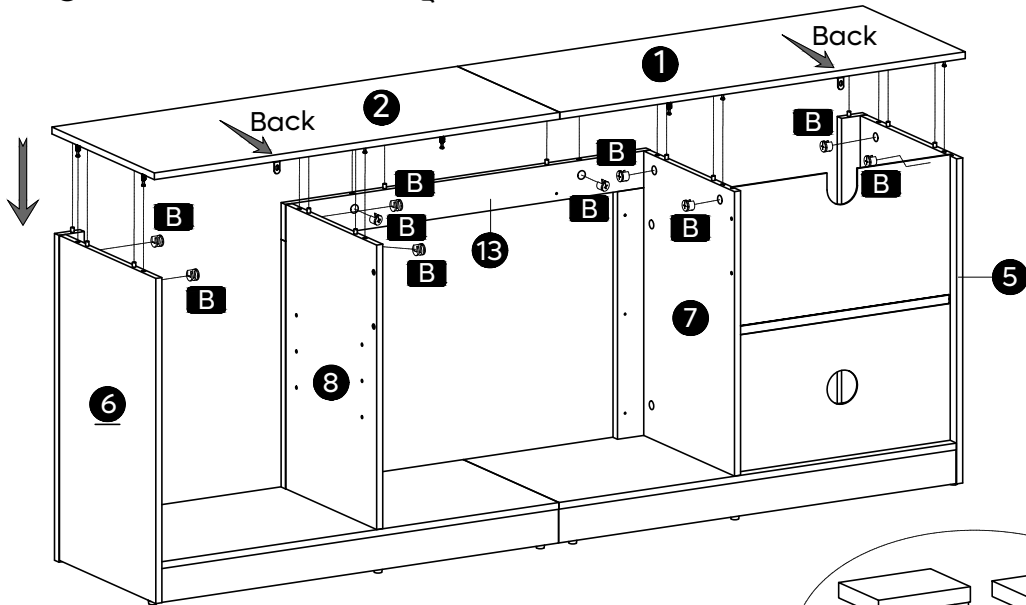


F ST3.5x10mm

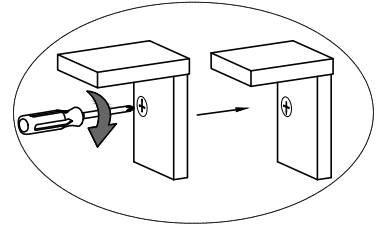
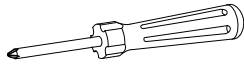


20

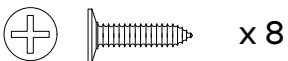
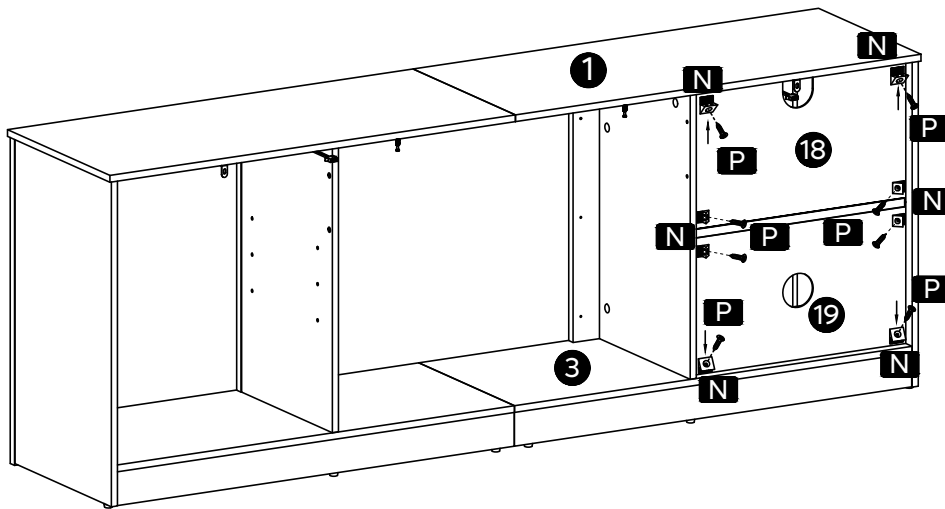
Attach Assemble the PanelTop(12) to step 16.
 Insert cam lock B to Left Panel(5), Right Panel(6), left partition(7), right partition(8),
 Horizontal Rail(13) and use Screwdriver to tighten.



B Ø15mm



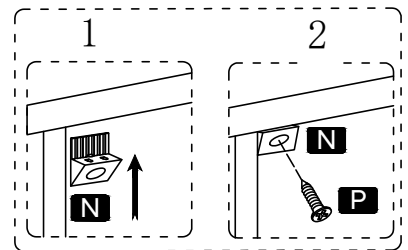
21



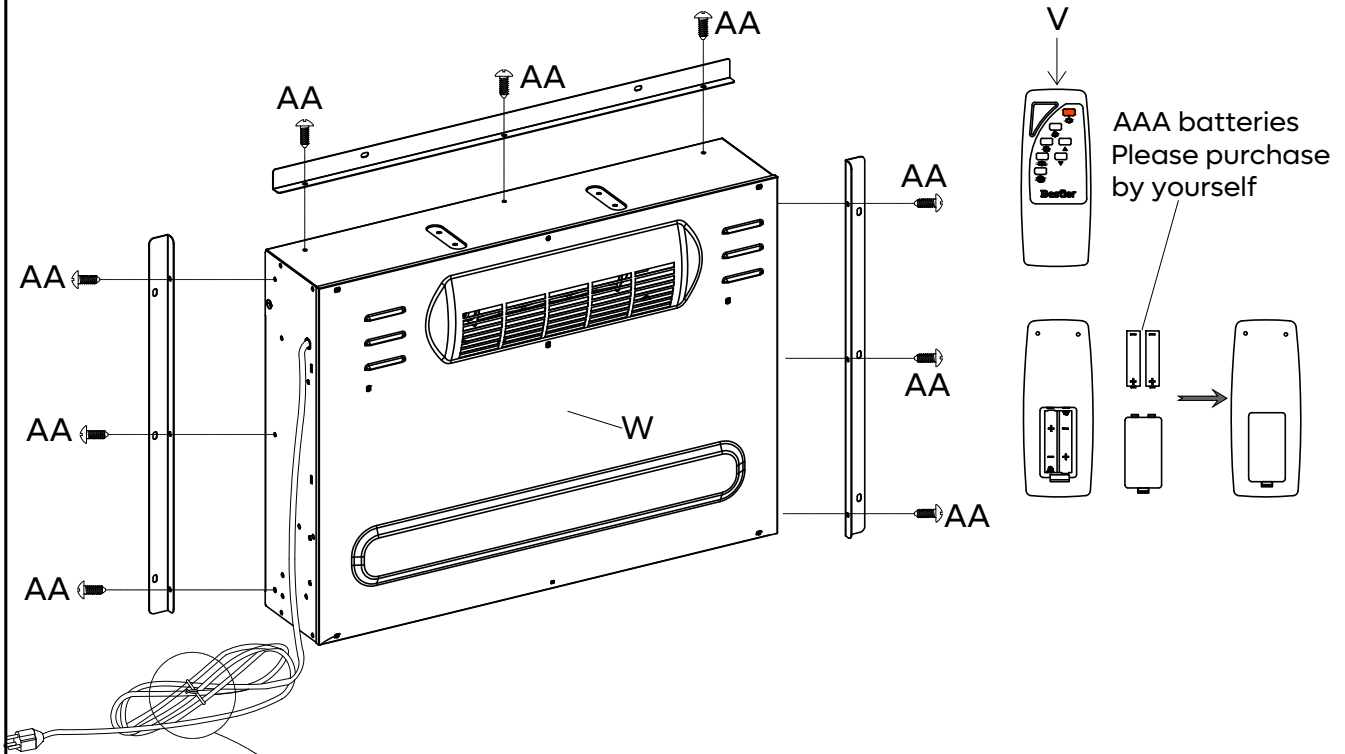
P ST3x14mm



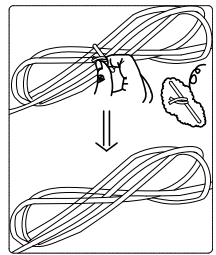
N



※please refer to the fireplace assembly installation



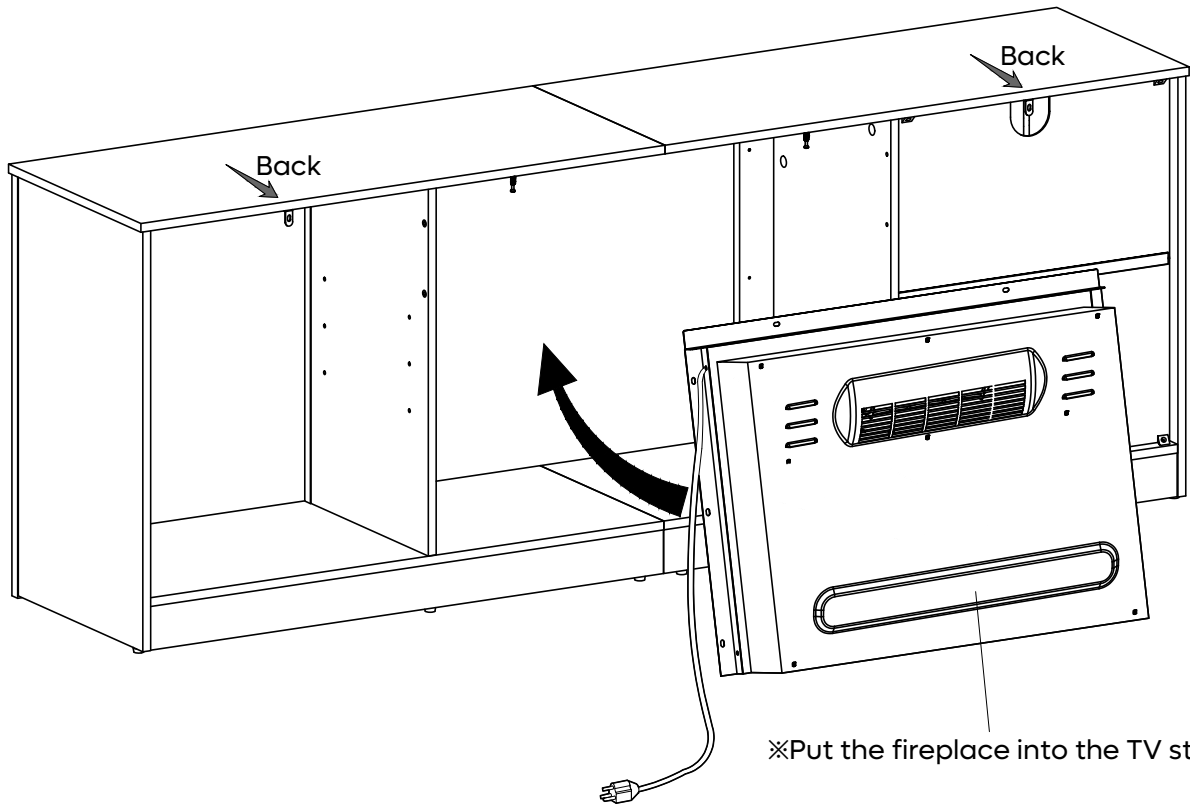
AAA batteries
Please purchase
by yourself



package include:

Part	Description	Quantity
V	Remote Control	1
W	Fireplace Insert	1
	Top Side Trim	1
	Side Trim	2
AA	TM4x6mm	9+1
BB	TA4x12mm	8+1

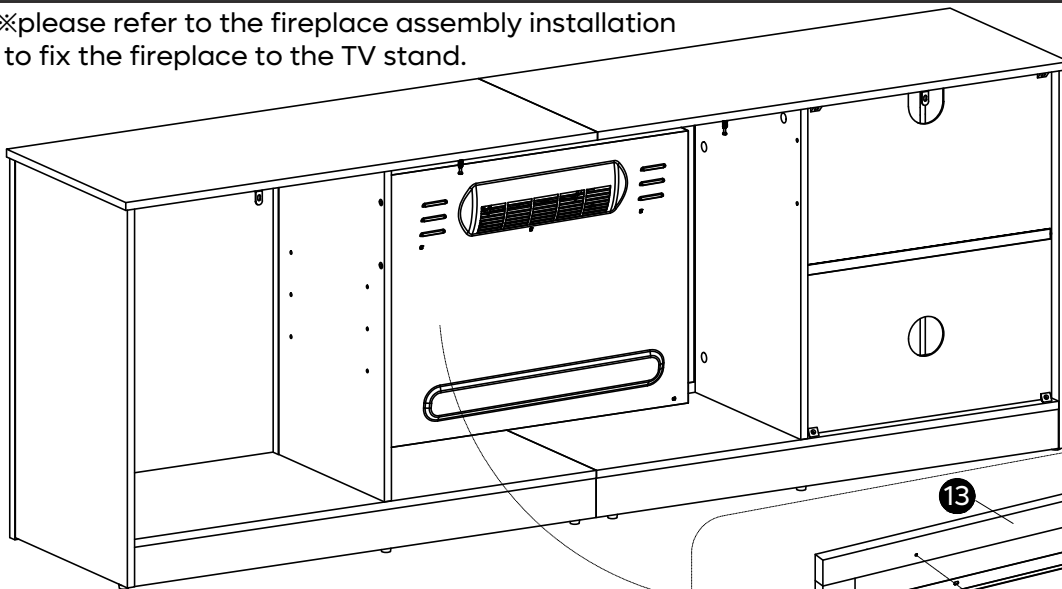
23



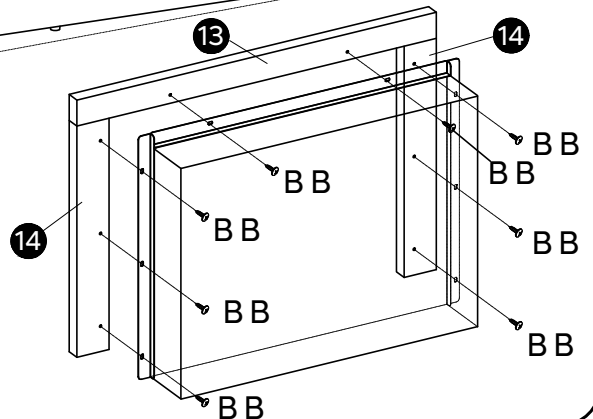
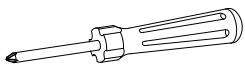
※Put the fireplace into the TV stand

24

※please refer to the fireplace assembly installation to fix the fireplace to the TV stand.



Screwdriver to tighten round head screw BB to secure the fireplace.

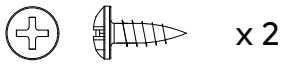
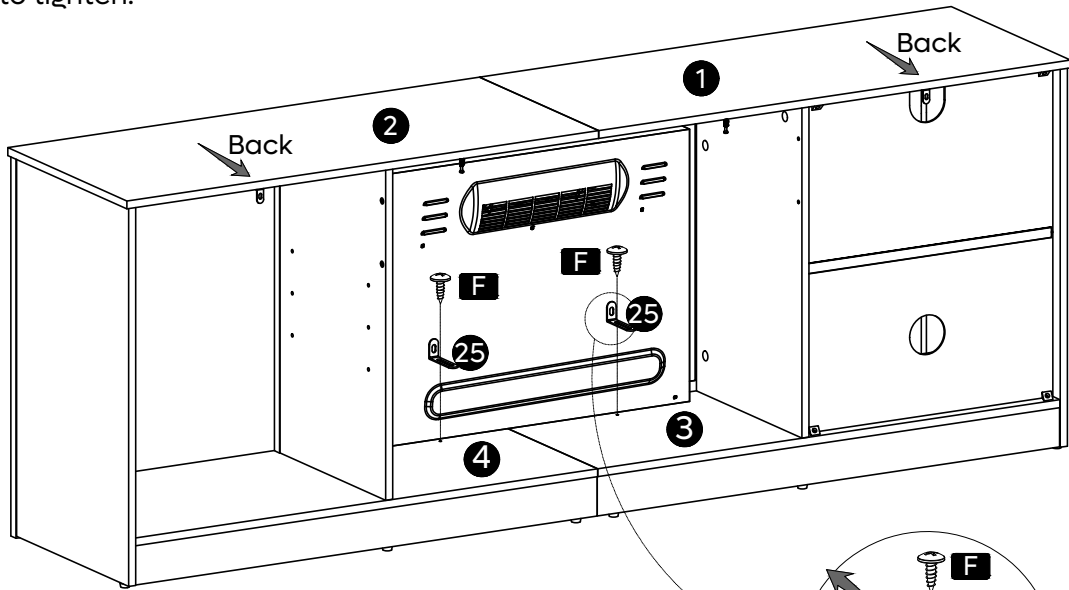


24

L105316K

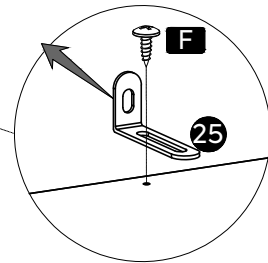
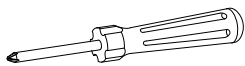
25

Use round head screw F to lock L Bracket.
Screwdriver to tighten.



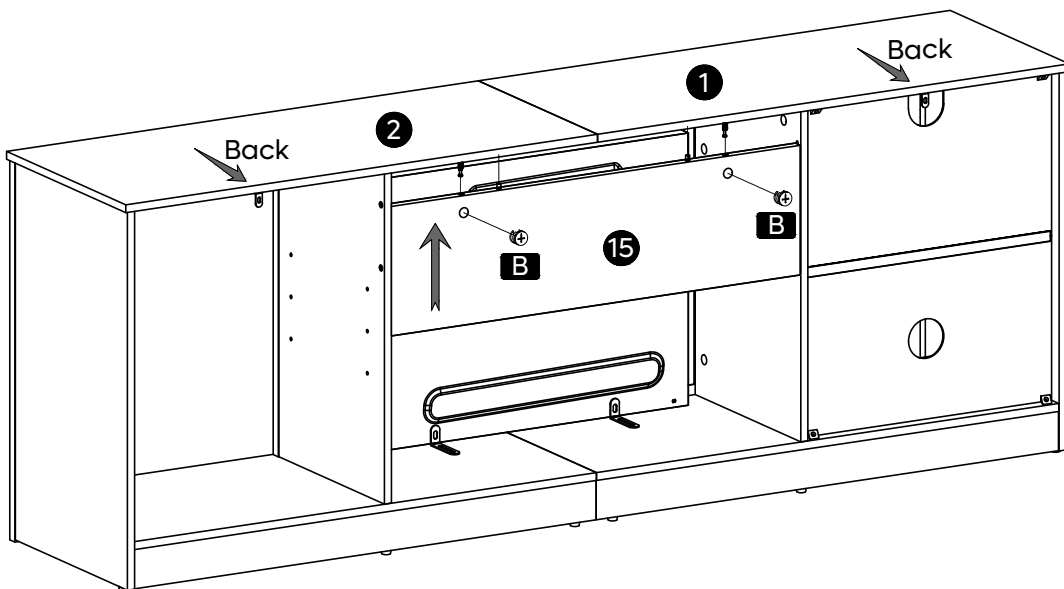
x 2

F ST3.5x10mm



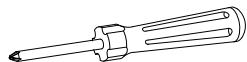
26

Insert cam lock B to Back Panel 15, screwdriver to tighten.



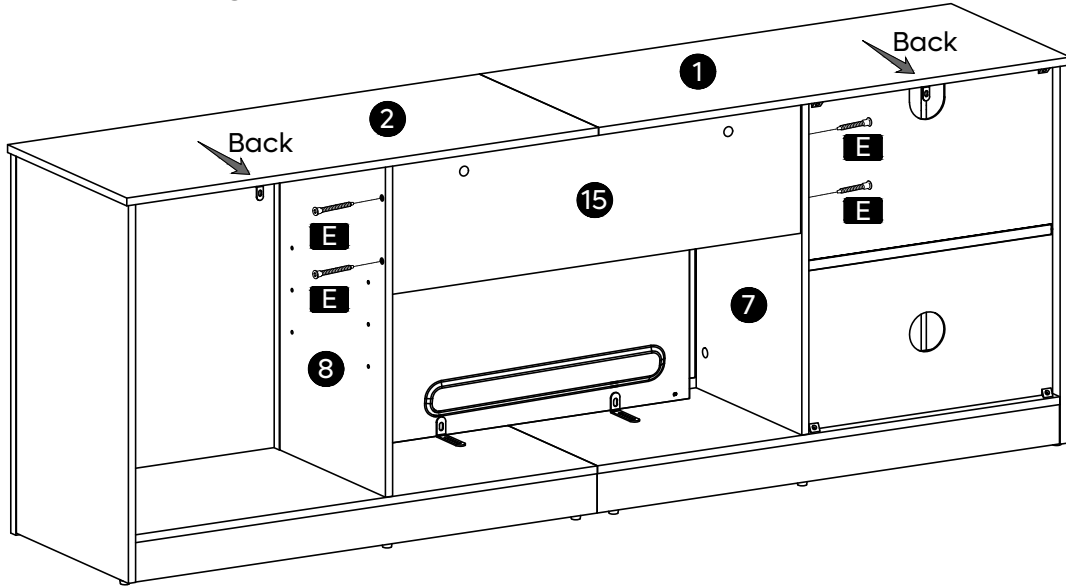
x 2

B Ø15mm



27

M4 Tool to tighten BOLT E to lock Left Partition 7 and Back Panel 15 & Right Partition 8 and Back Panel 15.

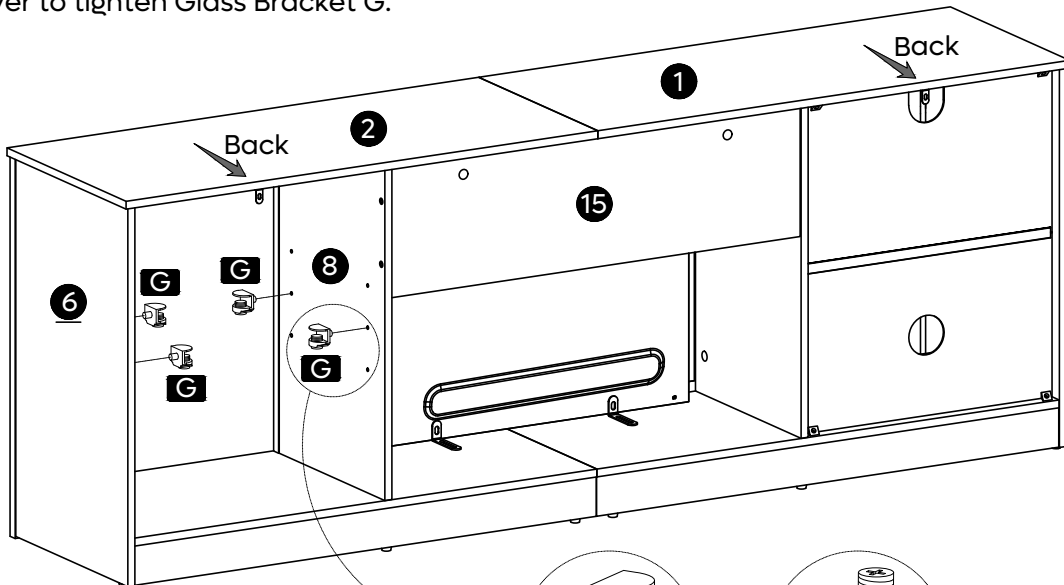


E ST6x40mm x 4

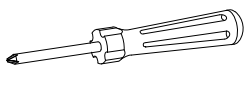


28

Insert Glass Bracket G to Right Partition 8 and Right Panel 6. Screwdriver to tighten Glass Bracket G.

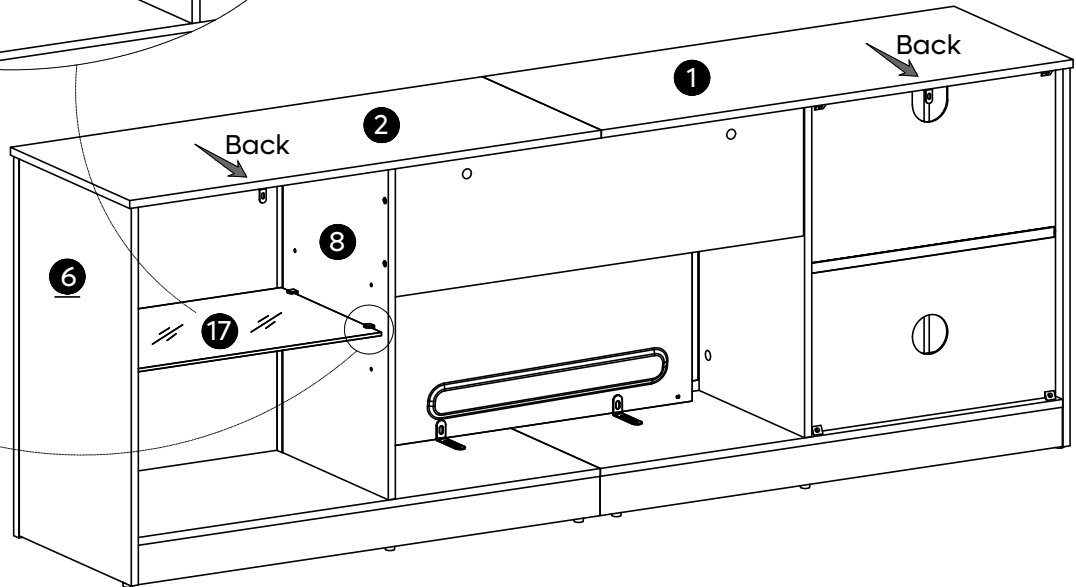
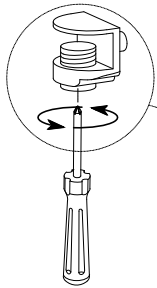
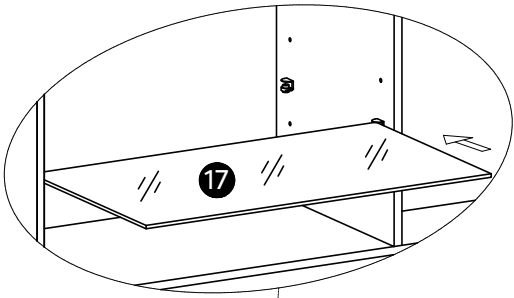


x 4



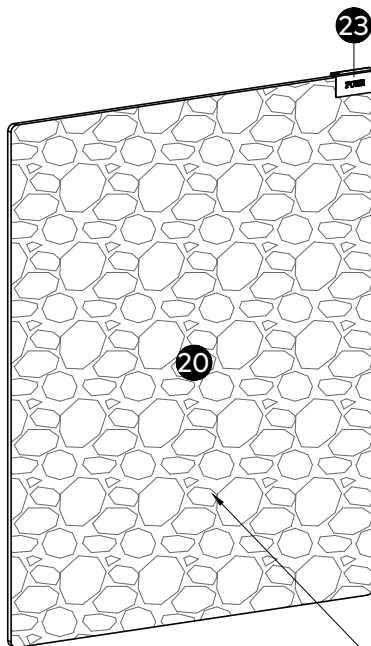
29

Insert Adjustable Glass 17 into Glass Bracket G. screwdriver to tighten.

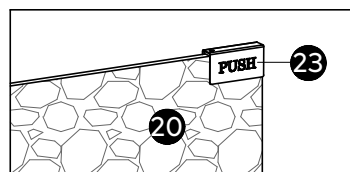
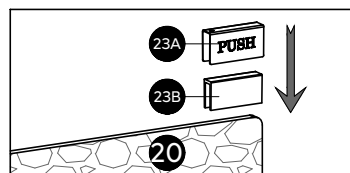
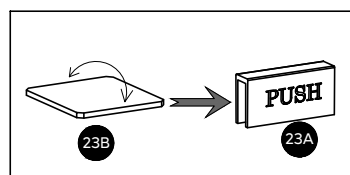


30

Insert U Bracket 23 to Door 20 .

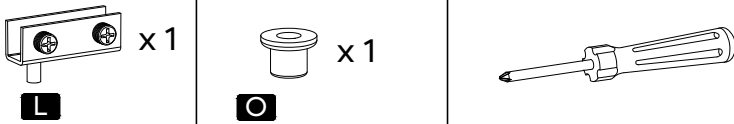
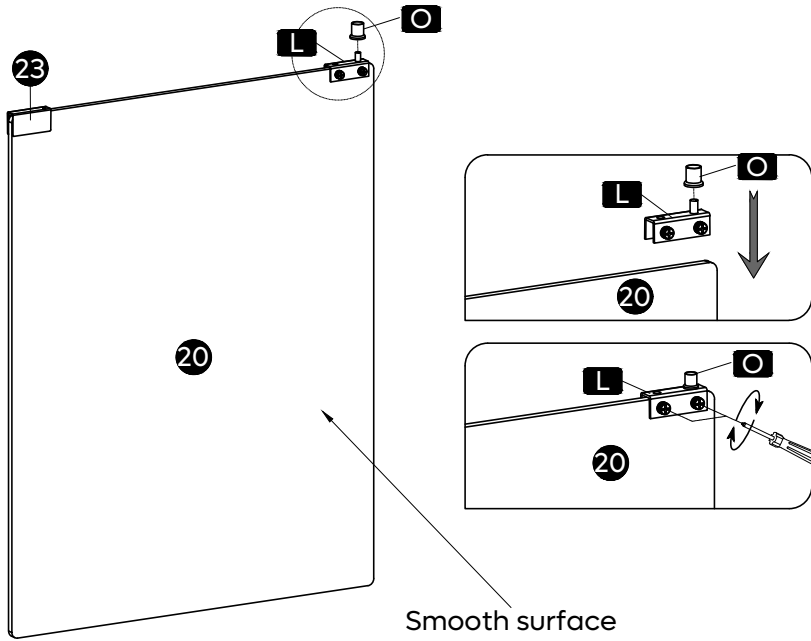


Rough surface



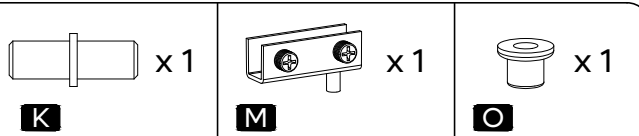
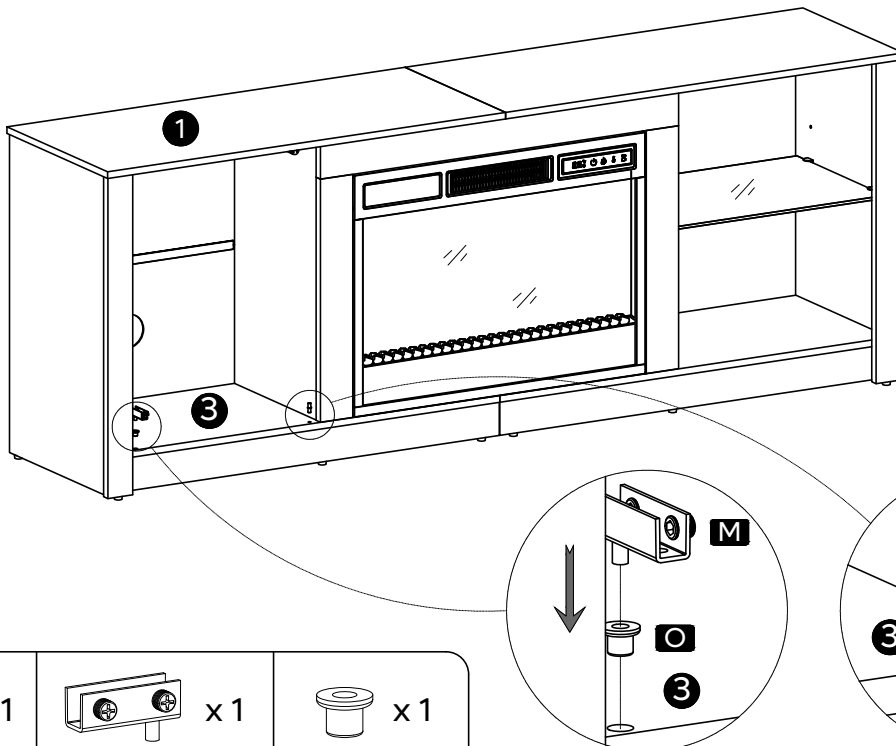
31

Insert Top Pivot Hinge L to Door 20 . Screwdriver to tighten Top Pivot Hinge L.

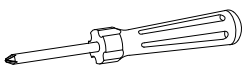
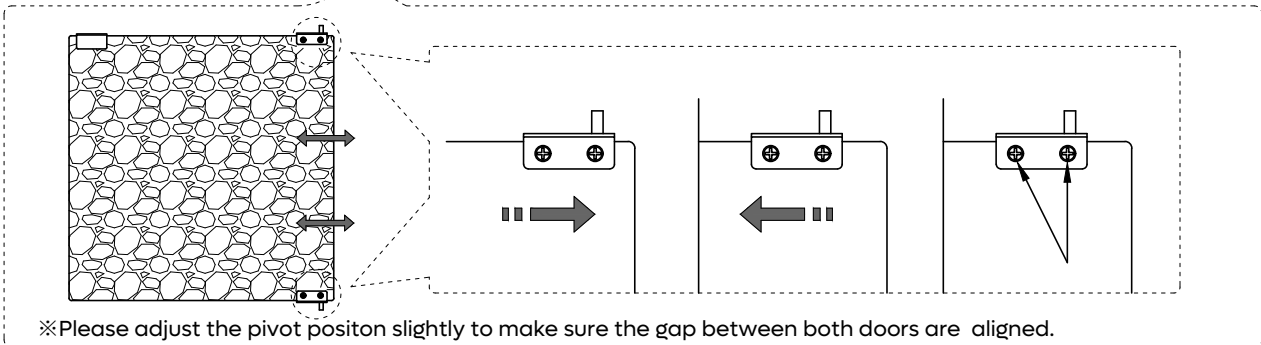
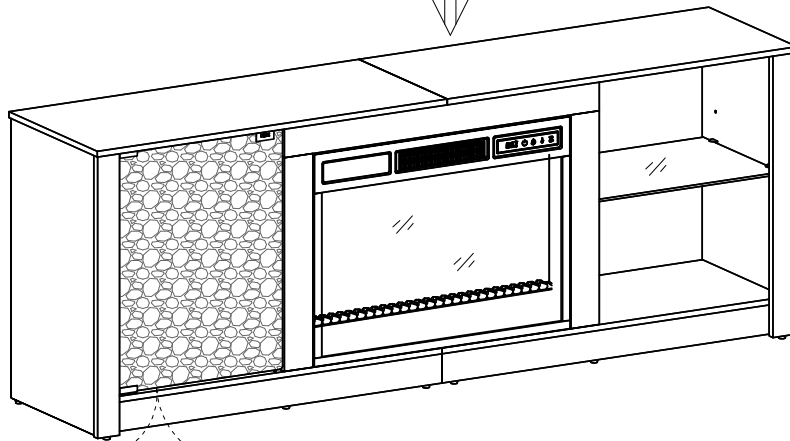
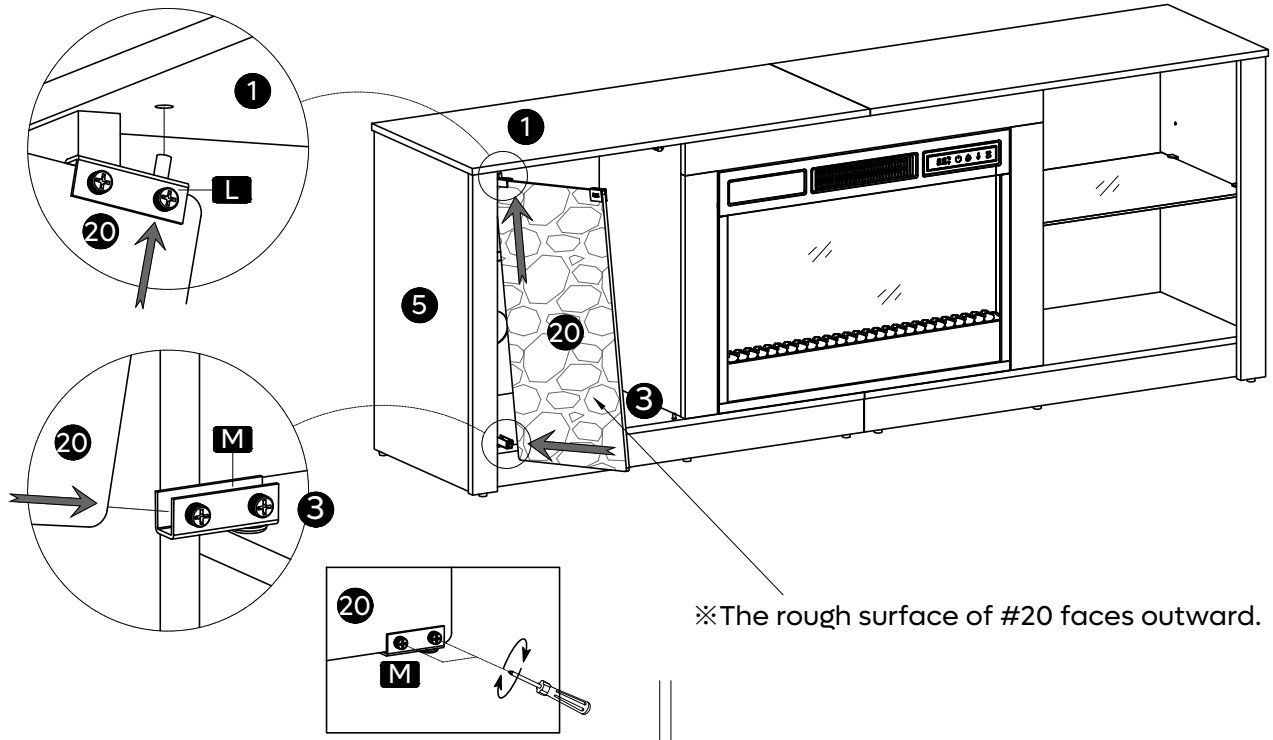


32

Insert Plastic Nut O and Bottom Pivot Hinge M to Left Panel(Bottom) 3.
Insert Door Stop K to Left Panel(Bottom) 3.

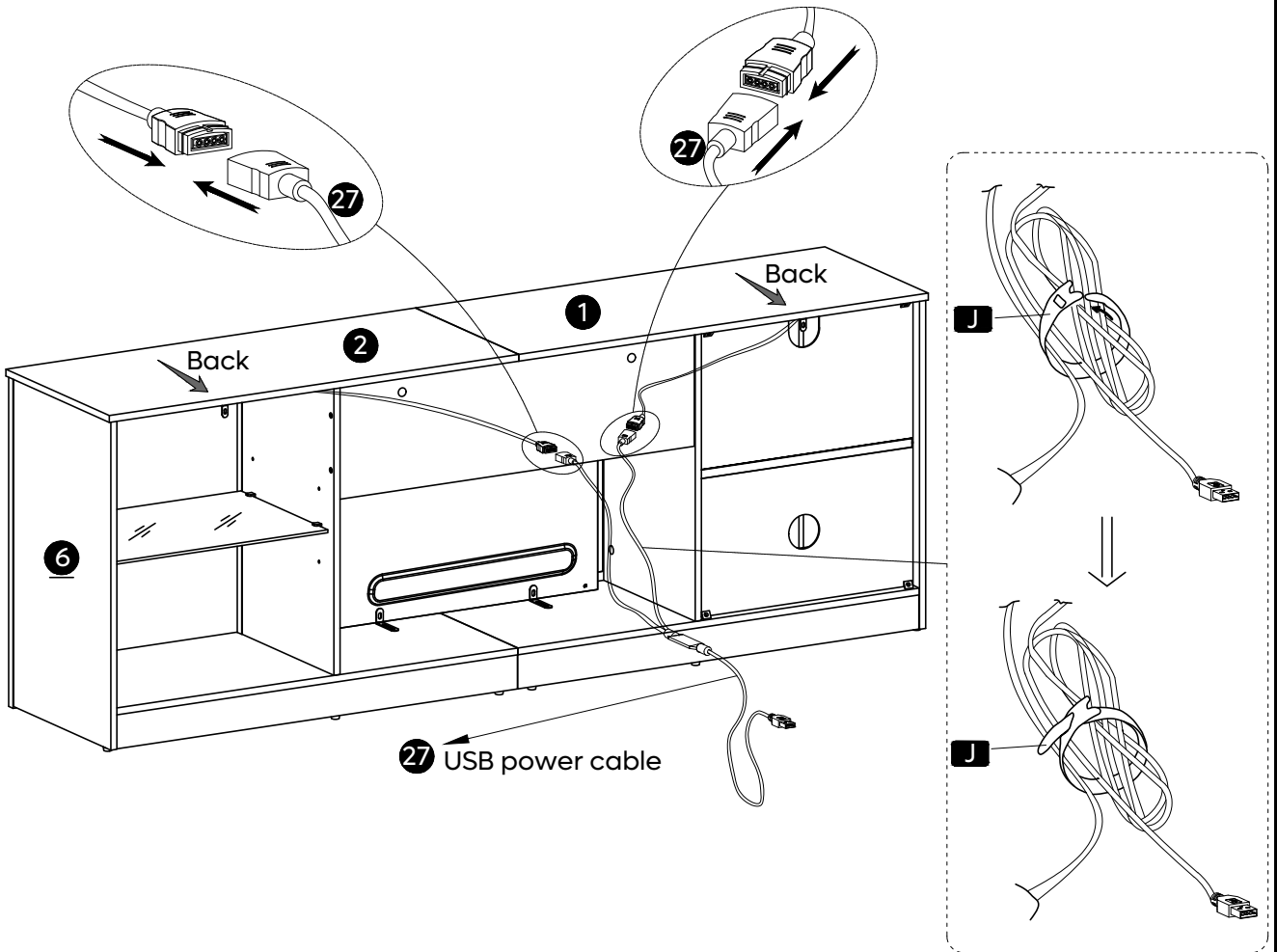


Insert the Door 20 with U Bracket 23 and Top Pivot Hinge L to Left Panel(Top) 1.
 Insert the Door 20 with U Bracket 23 and Top Pivot Hinge L to Bottom Pivot Hinge M in Left Panel(Bottom) 3. Screwdriver to tighten Bottom Pivot Hinge M.

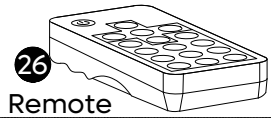


Congratulations, Your TV Stand is now complete.

Connect the wires



※Install the battery before using the remote control, please refer to Page "8".



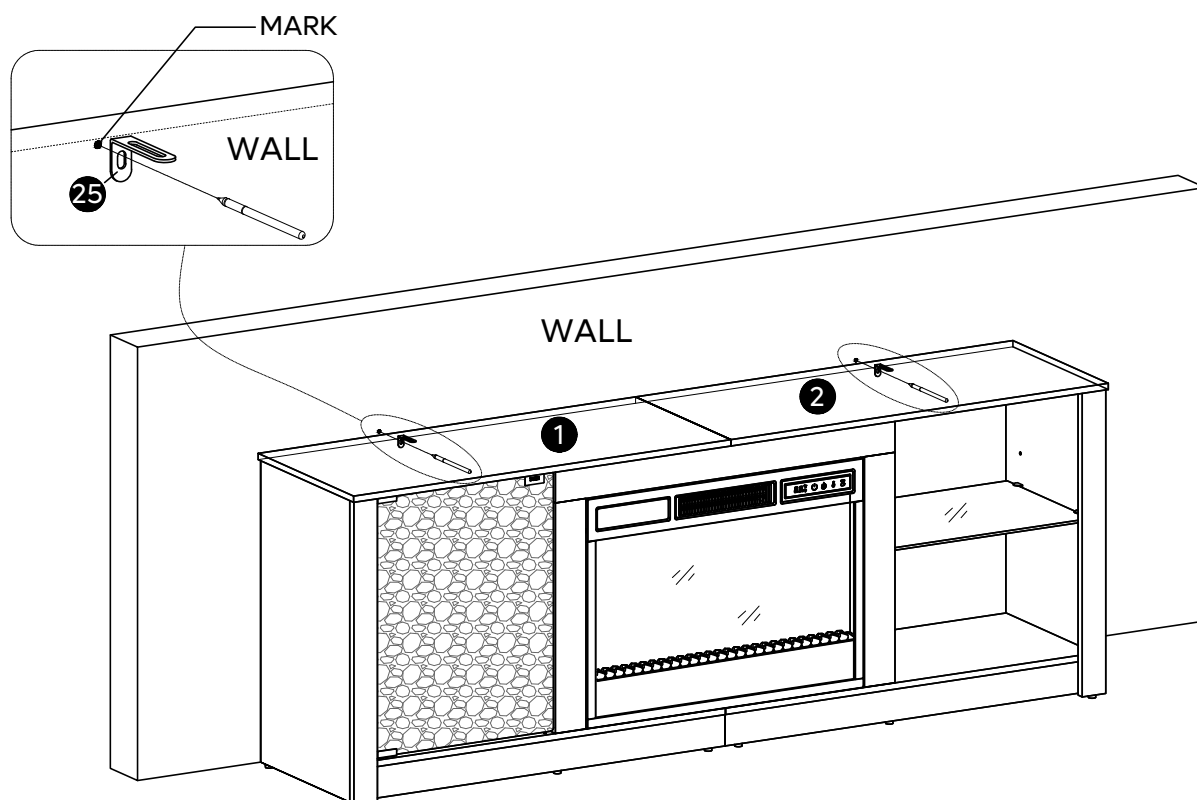
x 1



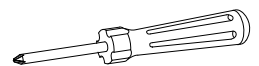
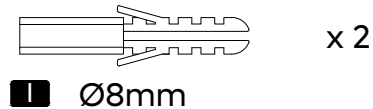
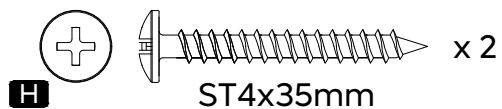
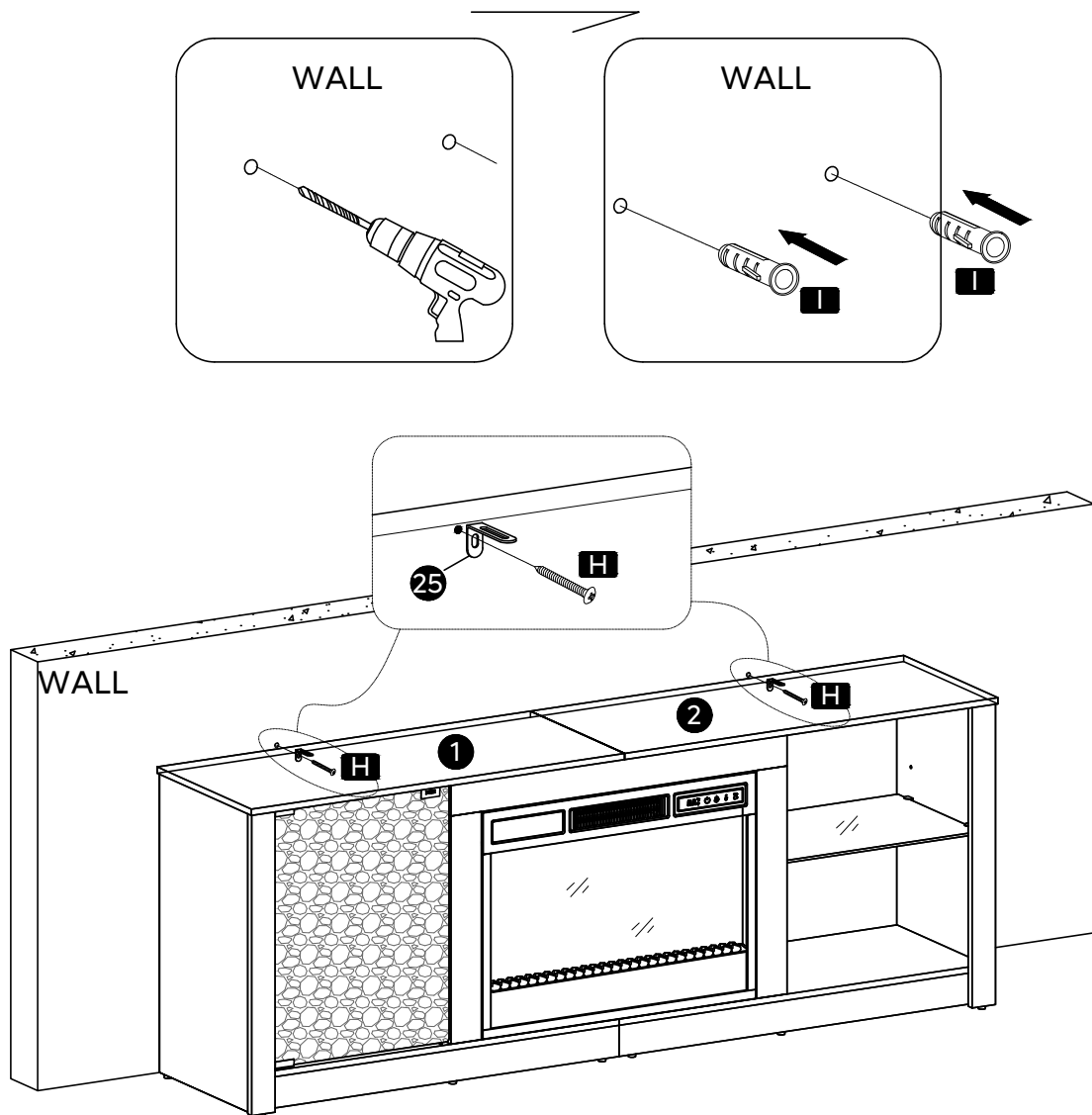
WALL SAFETY STRAP INSTALLATION

Ask for assistance to position the assembled unit at the desired location against a wall. Now, follow the instructions printed on the plastic bag containing the Tipping Restraint Hardware to attach two tipping restraints to the unit and the wall. As shown in the illustration.

※NOTE: Young children can be seriously injured by tipping furniture. You must install the Tipping Restraint Hardware with the unit to prevent the unit from tipping, causing any accidents or damage. The tipping restraints are intended only as a deterrent, they are not a substitute for proper adult supervision. The tipping restraints are not earthquake restraints. If you wish to add the extra security of earthquake restraints, they must be purchased and installed separately.



Tools required:Phillips screwdriver,power Drill,3/8" Drill Bit and Rubber Mallet



※ **Please fasten this item to wall for protection and safety.**

1. Drill 2 holes in the wall and insert "I" into holes.
 ※ You may need to use rubber mallet for tapping "I".
2. Use "H" to attach "I" with 25.

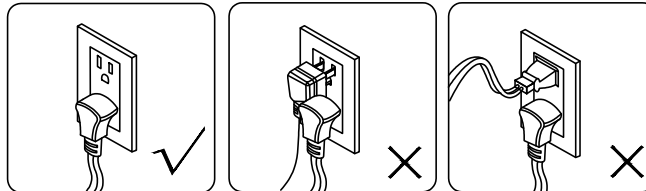
IMPORTANT SAFETY INSTRUCTIONS

US-3Pin POLARIZED PLUG

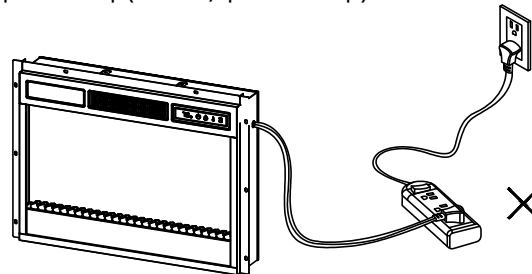
This product is equipped with a 3-pin polarized plug as shown Fig Connect to properly grounded outlets only. This unit is for use on 120 volts only. For your safety, please always plug the unit into a wall outlet receptacle. An extension cord or relocatable power tap (outlet/power strip) should never be used.



Do not share a socket with other appliances when using electric fireplaces, please use a dedicated socket.



Never use with an extension cord or relocatable power tap (outlet / power strip).



A 15 AMP circuit is required to operate this appliance. If the breaker trips when the appliance is running, you may need to move the appliance to another location or unplug other appliances that are on the same circuit.

The fireplace control functions can be accessed in two ways:

- Using the control panel, located in the upper right-hand corner of the electric insert.
- Using the multifunctional remote control.

The main control panel is located at the top right corner on the front (Figure 2)

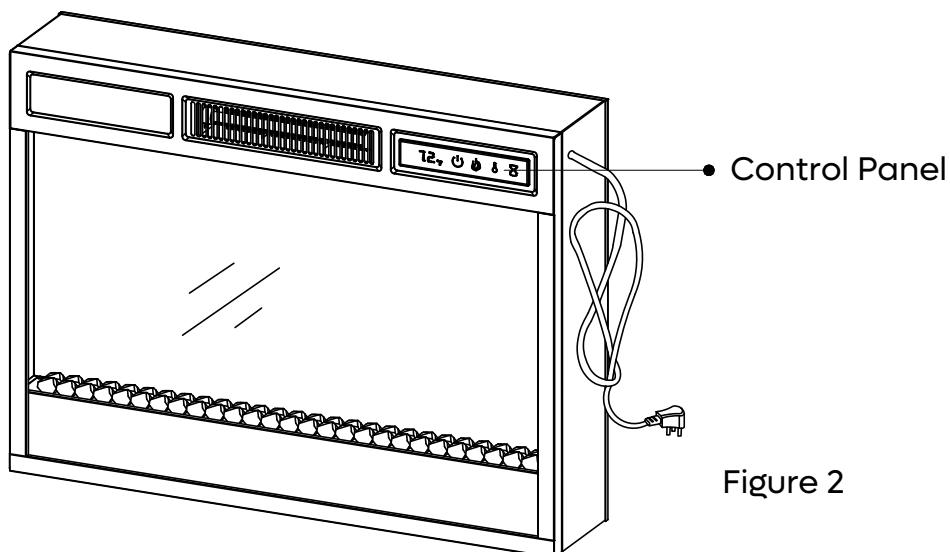


Figure 2

IMPORTANT SAFETY INSTRUCTIONS

CAUTION: DO NOT place any objects on top of insert and top air intake vents as this will cause unit to overheat and can cause a fire.

CAUTION: The heaters MUST NOT be located immediately below a socket-outlet.

CAUTION: There is a thermostat protective device provide inside of unit. If the inner temperature overheats or abnormal heating occurs, the thermostat protective device will cut off power supply to prevent damage or risk of fire.

CAUTION: If the information in this manual is not followed exactly, an electric shock may result

CAUTION: DO NOT place any objects on top of insert and top air intake vents as this will cause unit to causing property damage, personal injury or loss of life.

CAUTION: Under no circumstances should this replace be modified. Parts having to be removed for servicing must be replaced prior to operating this replace again.

This equipment has been tested and found to comply with the limits for Class B digital devices, pursuant to part 15 of the FCC rules. These limits are designed to provide reasonable protection against harmful interference in a residential installation. The equipment generates, uses and can radiate radio frequency energy and, if not installed and used in accordance with the instructions, may cause harmful interference to radio or television reception, which can be determined by turning the equipment off and on. The user is encouraged to try and correct the interference by one or more of the following measures:

- Reorient or relocate the receiving antenna
- Increase the separation between the equipment and the receiver
- Connect the equipment into an outlet on a circuit different from that to which the receiver is connected.
- Consult the dealer or an experienced radio/TV technician for help.

This device complies with Part 15 of the FCC rules. Operation is subject to the following two conditions:

1. This device may not cause harmful interference;
2. This device must accept any interference received, including interference that may cause undesired operation.

Modifications not approved by the party responsible for compliance could void user's authority to operate the equipment.

This Class B digital apparatus complies with Canadian ICES-003.

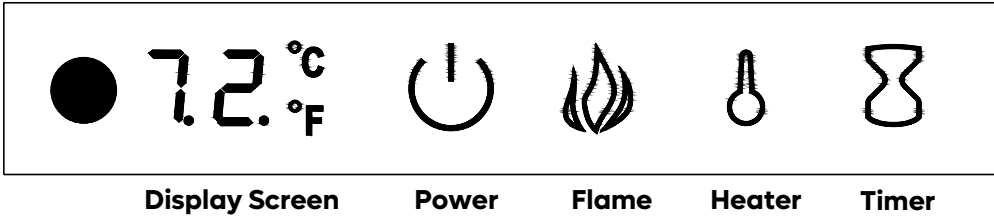
IMPORTANT SAFETY INSTRUCTIONS

WARNING: Any use of this appliance other than that recommended by the manufacturer in this owners manual may cause fire, burns, electric shock and/or other serious injuries or death.

When using electrical appliances, basic precautions should always be followed to reduce the risk of fire, electrical shock, and injury to persons including the following:

1. Read all instructions before installing or using the heater.
2. This appliance is not intended for use by persons (including children) with reduced physical, sensory or mental capabilities, or lack of experience and knowledge, unless they have been given supervision or instruction concerning use of the appliance by a person responsible for their safety.
3. Children should be supervised to ensure that they do not play with the appliance.
4. **WARNING:** In order to avoid overheating, do not cover the heater.
5. The heater must not be located immediately below a socket-outlet.
6. Do not use this heater in the immediate surroundings of a bath, a shower or a swimming pool.
7. This appliance is hot when in use. To avoid burns, **DO NOT** let bare skin touch hot surfaces. Keep combustible material, such as furniture, pillows, bedding, papers, clothes and curtains, at least 3 feet from the front of the heater and keep them away from the side and rear.
8. Extreme caution is necessary when any heater is used by or near children or individuals with disabilities and whenever the fireplace is left operating and unattended.
9. **ALWAYS** unplug this appliance when not in use.
10. **DO NOT** operate any heater with a damaged cord or plug or after the heater malfunctions. **DO NOT** operate any heater if it has been dropped or damaged in any manner. Discard heater, or return to authorized service facility for examination and/or repair.
11. **DO NOT** use outdoors.
12. This heater is not intended for use in bathrooms, laundry areas and similar indoor locations. **NEVER** place heater where it may fall into a bathtub or other water container.
13. **DO NOT** run cord under carpeting. **DO NOT** cover cord with throw rugs, runners, or similar covering. Do not route cord under furniture or appliances. Arrange cord away from traffic areas and where it will not be tripped over.
14. To disconnect this appliance, turn controls to the off position, then remove plug from outlet.
15. **ONLY** connect to properly grounded outlets.
16. Do **NOT** insert or allow foreign objects to enter any ventilation or exhaust opening as this may cause an electric shock or fire, or damage the appliance.
17. To prevent a possible fire, **DO NOT** block air intakes or exhaust in any manner. **DO NOT** use on soft surfaces, like a bed, where opening may become blocked.
18. Use this appliance only as described in the manual. Any other use is **NOT** recommended by the manufacturer and may cause fire, electric shock or injury to persons.
19. This appliance has hot and arcing or sparking parts inside. **DO NOT** use it in areas where gasoline, paint or flammable vapors or liquids are used or stored. This fireplace should not be used as a drying rack for clothing. Christmas stockings or decorations should not be hung in the area of it.
20. **ALWAYS** plug heaters directly into a wall outlet/receptacle. **NEVER** use with an extension cord or re-locatable power tap (outlet/power strip).
21. This appliance, when installed, must be electrically grounded in accordance with local codes, with the current CSA C22.1 Canadian Electrical Code or follow the National Electrical Code, ANSI/NFPA N0.70.

OPERATING INSTRUCTION



Power Function

- ◆ DO NOT operate any heater with a damaged cord or plug or OFF the unit.
- ◆ When power OFF, unit will be stopped, if heater is working before power OFF the unit, fan will have 20 seconds delay to ensure heat will not be trapped inside the unit.

◆ Heater Lock

Activate Heater Lock

When the unit is ON, hold the POWER button for 10 seconds to activate the Heater Lock function. E3 will be displayed and a beep sounds 3 times to indicate the Heater Lock function has activated, only heater function key is locked. When pressing Heater button, E3 will be displayed that indicate the Heater Lock function activate.

Inactivate Heater Lock

To inactivate the Heater Lock function, hold the POWER button for 10 seconds.

Note: Heater lock function is only available if using the control panel.

Note: This unit has a memory function that allows you to turn off the MAIN POWER and retains all the other function settings (excluding the TIMER function).

Flame Color Function

- ◆ The flame Color Button should be used to set the flame color: C1,C2,C3,C4,C5,C6,C7.

Setting	Color
C1	Automatic color change (C2-C7 fades in and out per 10 seconds)
C2	Yellow+Orange+Blue
C3	Yellow+Orange
C4	Orange+Blue
C5	Yellow
C6	Blue
C7	Orange

- ◆ Default function: Hold down Flame color button for 10 seconds, blink "00" for 5 times and beep for 3 times, the machine will automatically shut down. Restart the machine, the default settings will be restored.

(Default function is only available if using the control panel.)

OPERATING INSTRUCTION



Flame speed Function(Remote Control Only)

- ◆ Press the FLAME SPEED ICON to display the current flame speed setting.
- ◆ Press the FLAME SPEED ICON again to scroll down through the flame speed settings: 1,2,3,4,5.



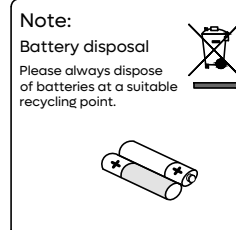
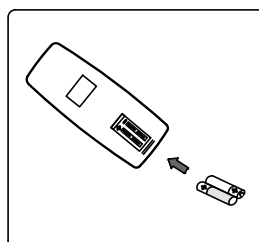
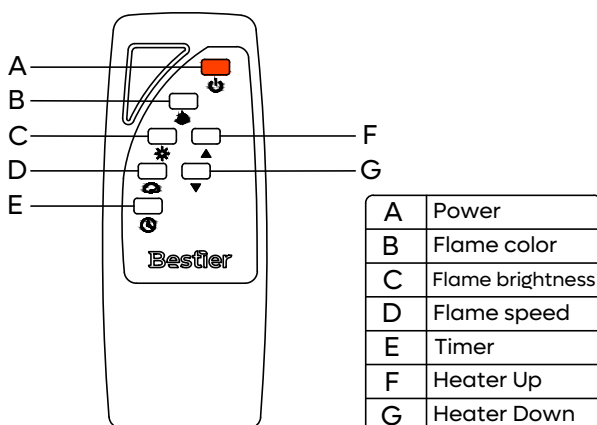
Heater Function

- ◆ This heater has a thermostat sensor to control the ambient temperature in the surrounding area of the fireplace. The heater will cycle ON and OFF to maintain the selected temperature. The thermostat setting range is 62°F (17°C) to 92°F (32°C) and oF (OFF).
- ◆ Hold down the FLAME SPEED ICON for 10 seconds to toggle between Fahrenheit and Celsius. "F" or "C" will be displayed on the control panel (°F/°C can only be toggled from the control panel and will not work if using the remote control).



Timer Function

- ◆ The timer setting should be used to set the countdown for the unit's main power.
- ◆ Press Timer icon to adjust the timer setting : 30M,1H,2H,3H,4H,5H,6H,7H,8H,9H,OF.



1. The battery compartment is located on the back end of the remote control.
2. Press and slide the battery door open.
3. Insert 2 AAA batteries, checking that the + and - sides of the battery match inside the battery compartment.
4. Replace the battery compartment door.
5. Batteries are not included in the package due to safety transportation.



Brightness Function (Remote Control Only)

- ◆ The flame brightness mode should be used to set the flame brightness:F5,F4,F3,F2,F1.

▲ Heater Up(Remote control only)

- ◆ Use the Up arrow to adjust the temperature according to the following rules:OF,62°F(17°C),64°F(18°C),66°F(19°C)... 88°F(30°C),90°F(31°C),92°F(32°C),ON.

▼ Heater Down(Remote control only)

- ◆ Use the Down arrow to adjust the temperature according to the following rules:ON,92°F(32°C),90°F(31°C),88°F(30°C) ...66°F(19°C),64°F(18°C),62°F(17°C),OF.

Replacing the remote control Battery

When the remote control stops operating or its range seems reduced, it is time to replace the batteries.

1. The battery compartment is located on the back of the remote control .
2. Press the small tab inward as you slide the battery door open and remove the old battery.
3. Insert two new AAA battery (not included), ensuring the polarities of the battery match the inside of the battery compartment.

"Do not mix old and new batteries and Do not mix alkaline, standard (carbon-zinc) or rechargeable (ni-cad, ni-mh, etc.) batteries"

4. Re-insert the battery door.

NOTE:

- ◆ The batteries should be removed if the product is to be left unused for a long time.
- ◆ Do not mix old and new batteries.
- ◆ Do not mix alkaline, standard (carbon zinc), or rechargeable (nicad, nimh, etc) batteries.
- ◆ Non-rechargeable batteries are not to be recharged. Exhausted batteries are to be removed from the product.

CARE AND MAINTANCE

- ◆ Make sure the unit is turned OFF, unplugged and the heating elements of heater are cool whenever you are cleaning the heater.
- ◆ Clean the metal trim using a water-dampened soft, clean cloth. DO NOT use brass polish or household cleaners as these products will damage the metal trim.
- ◆ The motors used on the fan and the flame generator assembly are pre-lubricated for extended bearing life and require no further lubrication. However, periodic cleaning/vacuuming of the fan/heater and air intake/output vents is recommended.
- ◆ Any other servicing should be performed by an authorized service representative.

WARNING: Make sure the power is turned off before proceeding. Any electrical repairs or rewiring of this unit should be carried out by a licensed electrician in accordance with national and local codes.

WARNING: If repairing or replacing and electrical component or wiring, the original wire routing, color coding and securing locations must be followed.

WARNING: Electrical outlet wiring must comply with local building codes and other applicable regulations to reduce the risk of fire, electrical shock and injury to persons.

WARNING: Do not use this fireplace if any part of it has been under water. Immediately call a qualified service technician to inspect the fireplace and replace any part of the electrical system.

WARNING: Disconnect power before attempting any maintenance or cleaning to reduce the risk of fire, electrical shock or personal injury.

WARNING: During any service of this appliance, the power to the unit must be turned off. First turn the main power switch to the "OFF" position. Then remove the electrical plug from the wall outlet.

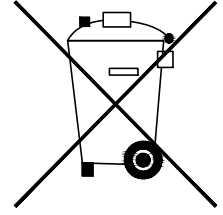
WARNING: When the heater is not in use, the heater should be stored in a dry location, away from possible damage. The power cord should be stored properly to avoid contact with hot or sharp objects.

CARE AND MAINTANCE

Disposal of Used Battery

A battery may contain hazardous substances that could be endangering to environment and human health.

- ◆ This symbol marked on the battery and/or packaging indicates that used battery shall not be treated as municipal waste. Instead it shall be left at the appropriate collection point for recycling.
- ◆ By ensuring the used battery is disposed of correctly, you will help prevent potential negative consequences for the environment and human health. The recycling of materials will help to conserve natural resources.



TROUBLE SHOOTING GUIDE

PROBLEM	POSSIBLE CAUSE	SOLUTION
1. No power, logs do not glow.	1. The unit does not have power.	1a, Check that unit is plugged into a standard 120 volt outlet. Then make sure power is set at "ON" position.
2. E1 displayed on control panel.	2. The overheat protection device has been engaged.	2. Unplug unit, wait 5-10 minutes, then the sensor will reset itself. Plug the unit back in and turn on the heater. If the problem persists, call customer service.
3. E2 displayed on control panel.	3. The ambient temperature sensor is broken or not working correctly.	3. Unplug unit, wait 5-10 minutes, then the sensor will reset itself. Plug the unit back in and turn on the heater. If the problem persists, call customer service.
4. E3 displayed on control panel.	4. Heater lock function activate.	4. To inactivate the Heater Lock function, hold the Heater Lock button for 10 seconds.
5. Fan motor continues to blow after unit is powered off.	5. Normal operation.	5. This is a standard feature; the blower runs for an additional 20 seconds to ensure heat will not be trapped inside the unit.
6. Power cord gets warm to the touch.	6. Normal operation.	6. This is normal for a heater appliance as it requires more current to operate. Check the connections of the appliance cord and the outlet. Make sure the plug fits tightly into the outlet. During use, check the plug and outlet frequently to determine if it is HOT; if so, discontinue use of the appliance and consult with a qualified electrician to check or change the overheating outlet(s).
7. PCB crashed.	7. No function operates, machine does no response and alarm alerts.	7. Frequently use on/off button repeatedly will trigger the PCB protection, unplug unit and wait for 5-10 minutes, then the sensor will reset itself.

ONE YEAR LIMITED WARRANTY

Bestier (hereinafter referred to collectively as "the Company") warrants that your new Electric Fireplace is free from manufacturing and materials defects for a period of one (1) year from date of purchase. Subject to the following conditions and limitations:

1. The electric fireplace must be installed and operated at all times in accordance with the installation and operating instructions furnished with the product. Any unauthorized repair, alteration, willful abuse, accident, or misuse of the product shall nullify this warranty.
2. This warranty is non-transferable, and is made to the original owner, provided that the purchase was made through an authorized supplier of the Company.
3. The warranty is limited to the repair or replacement of part(s) found to be defective in material or workmanship – provided that such part(s) have been subjected to normal conditions of use and service – after said defect is confirmed by the Company's inspection. All replacement parts or products will be new, remanufactured, or refurbished.
4. The Company may, at its discretion, require that any defective part(s) be returned in exchange for the replacement part(s).
5. The Company may, at its discretion, fully discharge all obligations with respect to this warranty by refunding the wholesale price of the defective part(s).
6. This warranty does not cover the LED light bar included with the electric fireplace.
7. Any installation, labor, construction, transportation, or other related costs/expenses arising from defective part(s), repair, replacement, or otherwise of same, will not be covered by this warranty, nor shall the Company assume responsibility for the same.
8. The owner/user assumes all other risks – if any – including but not limited to the risk of any direct, indirect or consequential loss or damage arising out of the use, or inability to use the product, except as provided by law.
9. All other warranties – express or implied – with respect to the unit, its components and accessories, or any obligations/liabilities on the part of the Company are hereby expressly excluded.
10. The Company neither assumes, nor authorizes any third party to assume on its behalf, any other liabilities with respect to the sale of the unit.
11. The warranties as outlined within this document do not apply to non-accessories used in conjunction with the installation of this product.
12. This warranty gives you specific legal rights, and you may also have other rights which vary from state to state.

This warranty is void if:

- (a) The fireplace is subjected to prolonged periods of dampness or condensation.
- (b) Any unauthorized alteration, willful abuse, accident, or misuse of the product.
- (c) You do not have the original purchase receipt.