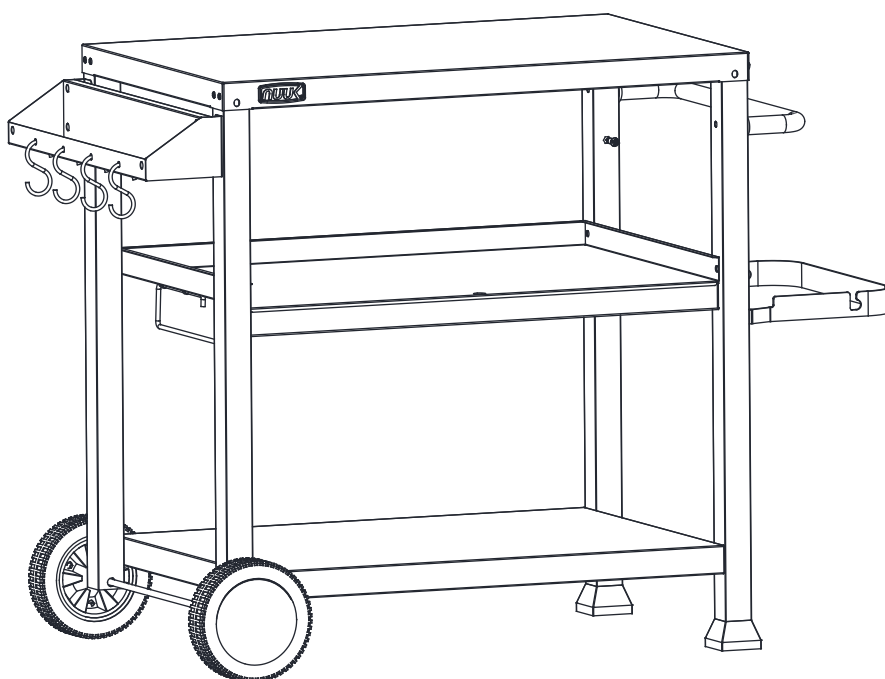




32in Stainless Steel Outdoor Prep Cart



Model: MC610
SKU: 40003

NUUK USA
nuukusa.com



Table of Contents

It is the consumer's responsibility to see that the unit is properly assembled, installed, and maintained. Failure to follow the instructions in the manual could result in bodily injury and/ or property damage

| | |
|--|---------------|
| Table of Contents | - page 2 |
| Safety Information | - page 3 |
| Customer Support | - page 4 |
| Care and Maintenance Exploded View | - page 5 |
| Parts | - page 6 |
| Hardware and | - page 7 |
| Assembly Instructions Assembly Instructions | - page 8 – 12 |
| Finished Product | - page 13 |
| Warranty | - page 14 |



Safety Information

IMPORTANT: ALL INSTRUCTIONS AND SAFEGUARDS IN THIS SECTION MUST BE FOLLOWED TO PREVENT DAMAGE AND/OR INJURY.

- Not for permanent installation.
- For outdoor use only
- Use caution with all electric appliances, tools, extension cords and lights on and around table.
- Surface can become hot in direct sun or high temperatures.
- Maximum top weight load of 100 LBS
- Maximum shelf weight load of 30 LBS
- Use only on level surfaces.
- Before use ensure wheels are height adjusted so that the table does not rock when in use.
- Lock wheels when in use.
- Do not allow children to climb the product.

CALIFORNIA PROPOSITION 65 WARNING

WARNING: This product can expose you to lead, which is known to the State of California to cause cancer and birth defects or other reproductive harm. For more information go to www.P65warnings.ca.gov



Customer Support

HAVE PROBLEM / QUESTION/ CONCERN
NO WORRY!

Our Customer Service Staff is Here To Help You!

For questions regarding your NUUK products, installation, replacement parts or your warranty, please contact

NUUK customer service team.
Phone: 1-800-719-8199
Monday through Friday
9:00 am to 5:00 pm, Eastern Time Zone

Email: service@nuukusa.com

Care and Maintenance

CLEANING

Painted and Plastic Surface

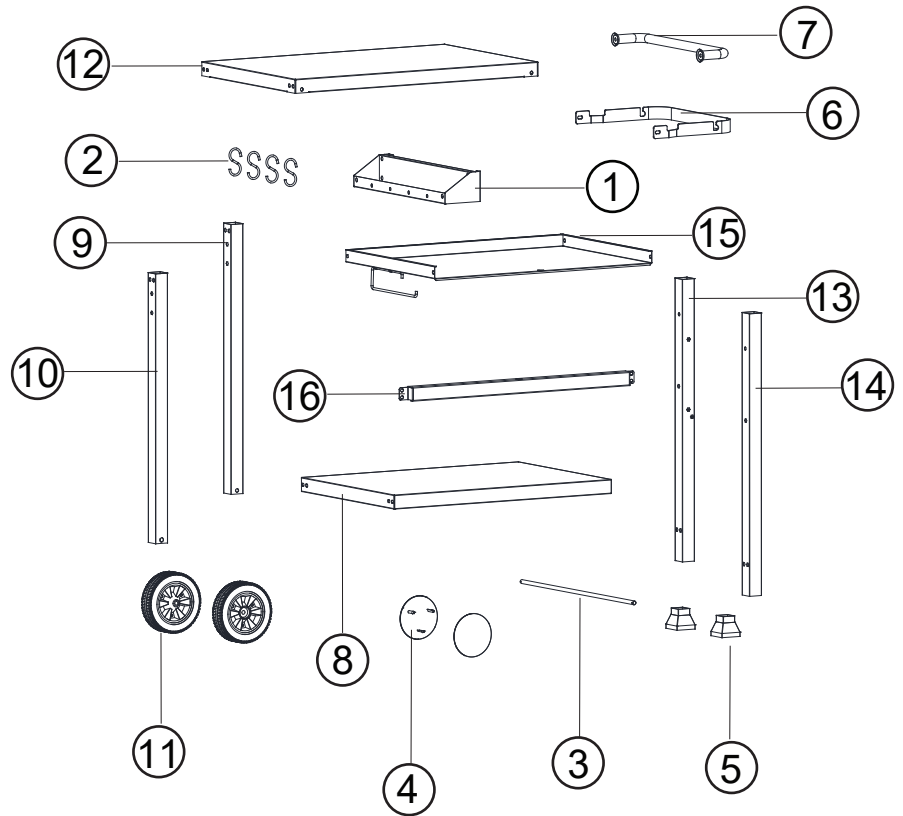
Wash with mild detergent or non-abrasive cleaner and warm Water.

Stainless Steel Surface

Wash with mild detergent and warm soapy water or use stainless steel cleaner. Wipe dry with a soft cloth after each use.

Wash only in the direction of the stainless brushed finish to avoid damage.

Stainless steel can rust under certain conditions. This can be caused by acidic marinades, chlorine, saltwater, exposure to coastal climates, other natural elements, or improper cleaning tools such as wire or steel wool.

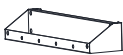



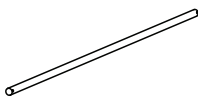













If you find any missing parts, damage parts, please contact NUUK

Phone: 1-800-719-8199
Monday through Friday
09:00 am to 05:00 pm, Eastern Time Zone

Email: service@nuukusa.com

NUUK™ Parts

| PART | | DESCRIPTION | QTY | PART | | DESCRIPTION | QTY |
|------|---|------------------|-----|------|--|--------------------|-----|
| ① |  | Condiment Holder | 1 | ⑨ |  | Left Back Leg LB | 1 |
| ② |  | S Hook | 4 | ⑩ |  | Left Front Leg LF | 1 |
| ③ |  | Axle | 1 | ⑪ |  | Wheel | 2 |
| ④ |  | Wheel Cap | 2 | ⑫ |  | Table Top | 1 |
| ⑤ |  | Leg Feet | 2 | ⑬ |  | Right Back Leg RB | 1 |
| ⑥ |  | Trash Bag Holder | 1 | ⑭ |  | Right Front Leg RF | 1 |
| ⑦ |  | Side Handle | 1 | ⑮ |  | Middle Shelf | 1 |
| ⑧ |  | Bottom Shelf | 1 | ⑯ |  | Front Bracket | 1 |

Hardware

| PART | | DESCRIPTION | QTY | PART | | DESCRIPTION | QTY |
|------|--|--------------------|-----|------|--|---------------|-----|
| A | | Screw M6 x 15 | 21 | B | | Screw M6 x 55 | 2 |
| C | | Step Screw M6 | 4 | D | | "R" Pin | 1 |
| E | | Wheel Spacer | 2 | F | | Washer | 2 |
| G | | Flat Head Screw M6 | 12 | | | | |

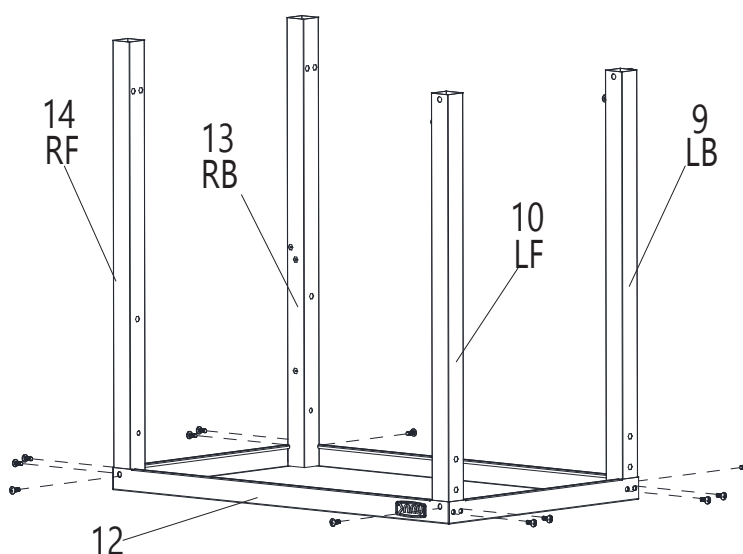
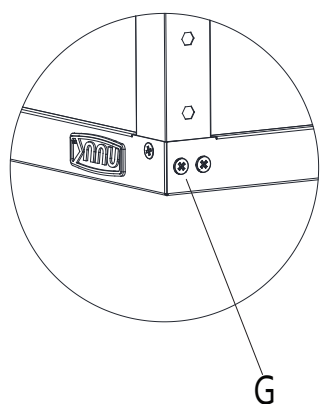
STEP 1

Install Left Front Leg (10) and Left Back Leg (9) to Table Top (12), use six Flat Head Screw M6 (G).

Install Right Front Leg (14) and Right Back Leg (13) to Table Top (12), use six Flat Head Screw M6 (G).

NOTE:

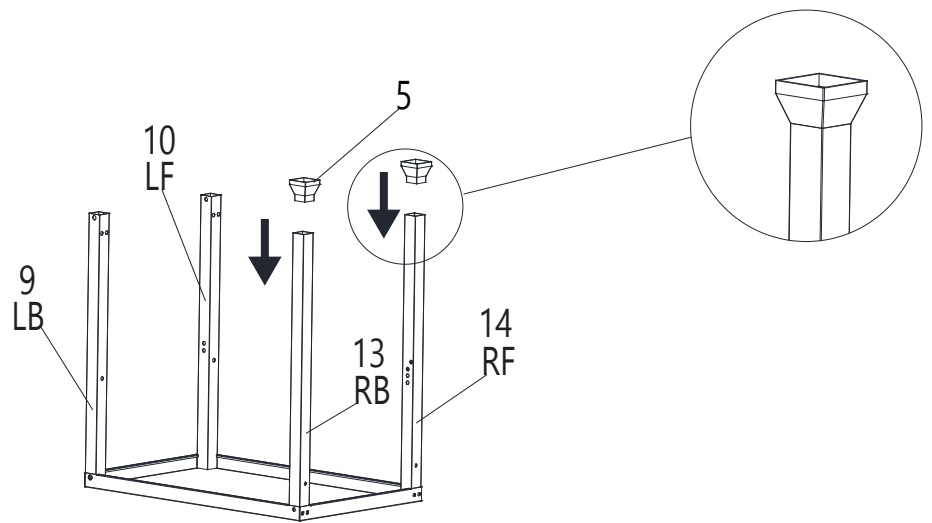
1. DO not tighten screws till STEP 6 completed.
2. Use the packaging material to protect table top during installation.



STEP 2

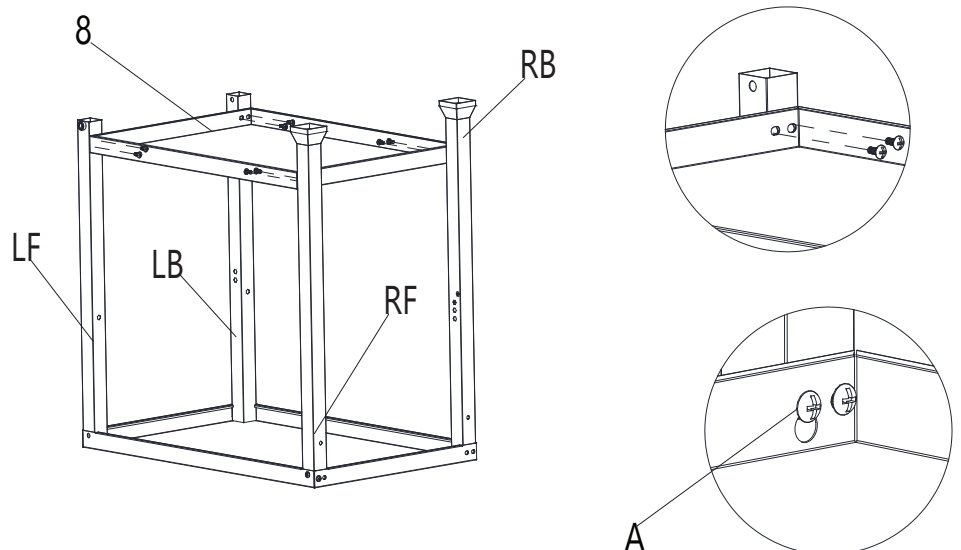
Install Leg Feet (5) into right side leg.

NOTE: In order to ensure the Leg Feet can be firmly attached to the legs, you might find its little tight to install feet, Please use tools help you install it completely if need.



STEP 3

Install Bottom Shelf (8) to assembled cart, use eight Screw M6 x 15 (A).



Assembly Instruction

STEP 4

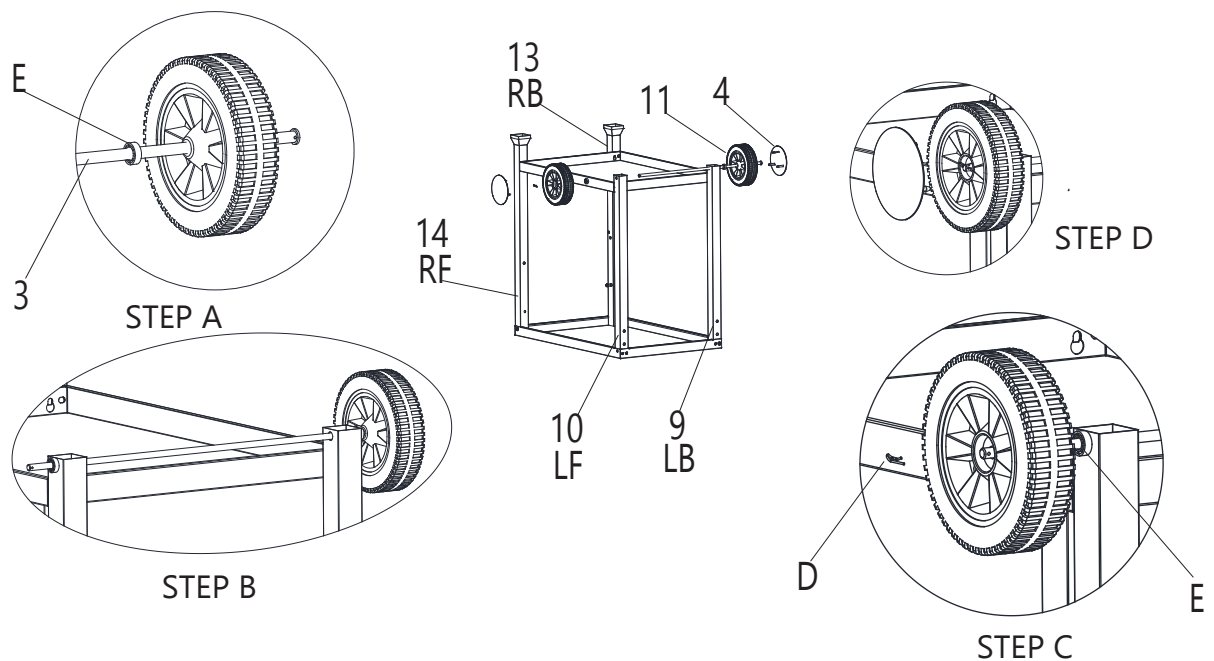
NOTE: One end of axle is closed, please pay attention. Install Axle (3), Wheels (11) and Wheel Cap (4) onto left side leg, following below step:

A: Pass the Axle through one wheel, then through wheel spacer (E), as shown in Step A

B: Pass the assembled wheel and axle through left front & left back leg.

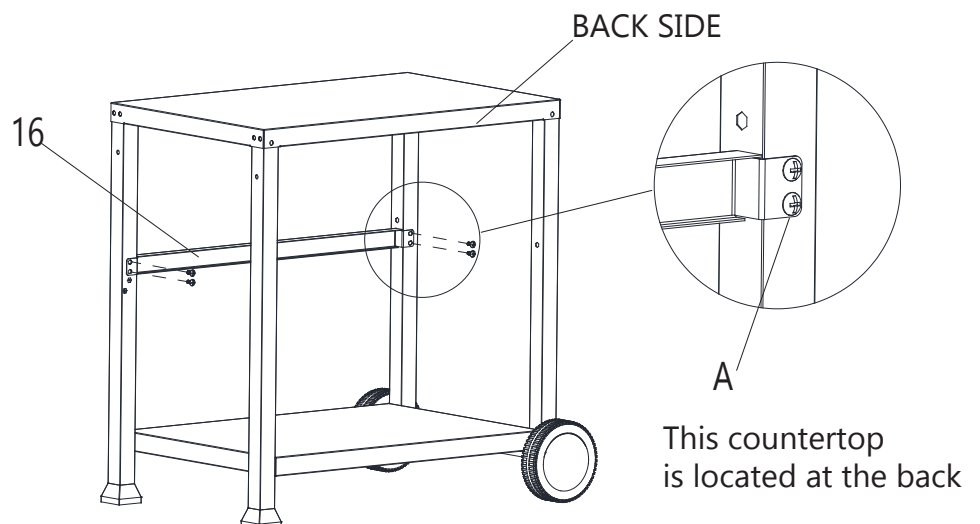
C: Pass another wheel spacer (E) and wheel through the axle in sequence, and finally secure the axle with "R" Pin (D)

D: Install wheel cap (4) on each wheel



STEP 5

Install the Front Bracket (16) onto Right & Left Front Leg, using four Screws M6 x 15 (A)

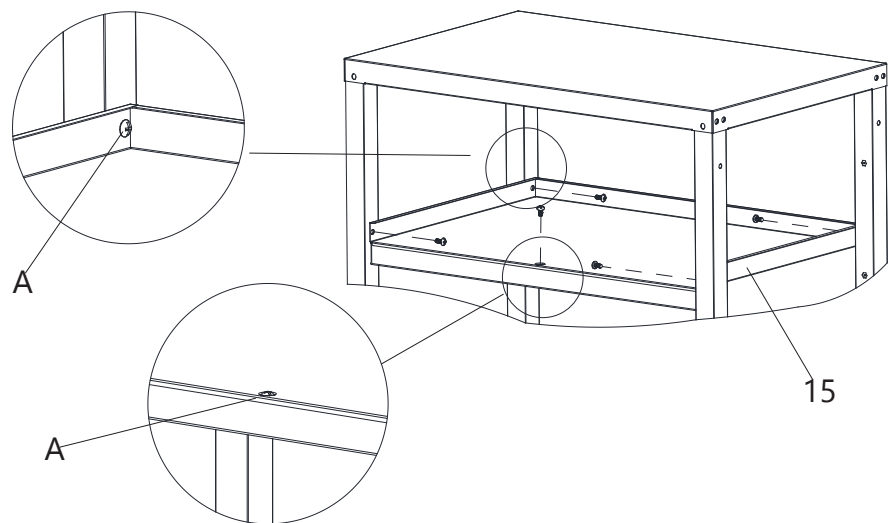


STEP 6

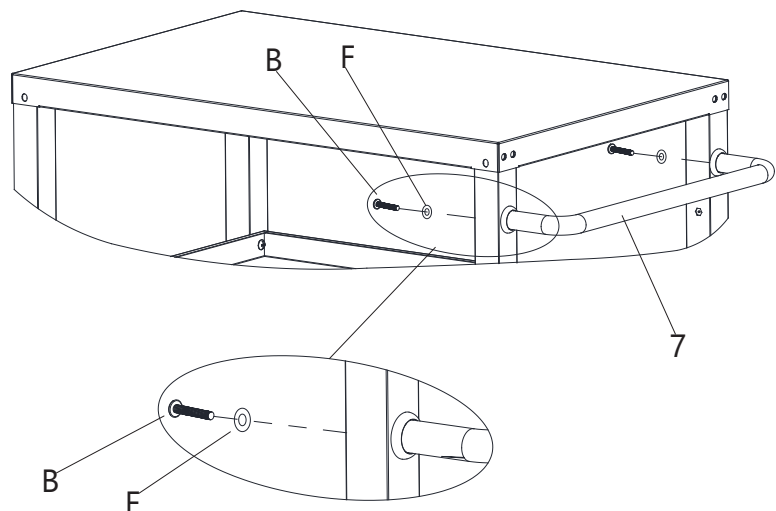
Install Middle Shelf (15) onto legs, using four Screw M6 x 15 (A) to fasten the parts.

Connect middle shelf and front bracket using one Screw M6 x 15 (A).

NOTE : TIGHTEN ALL SCREWS NOW.

**STEP 7**

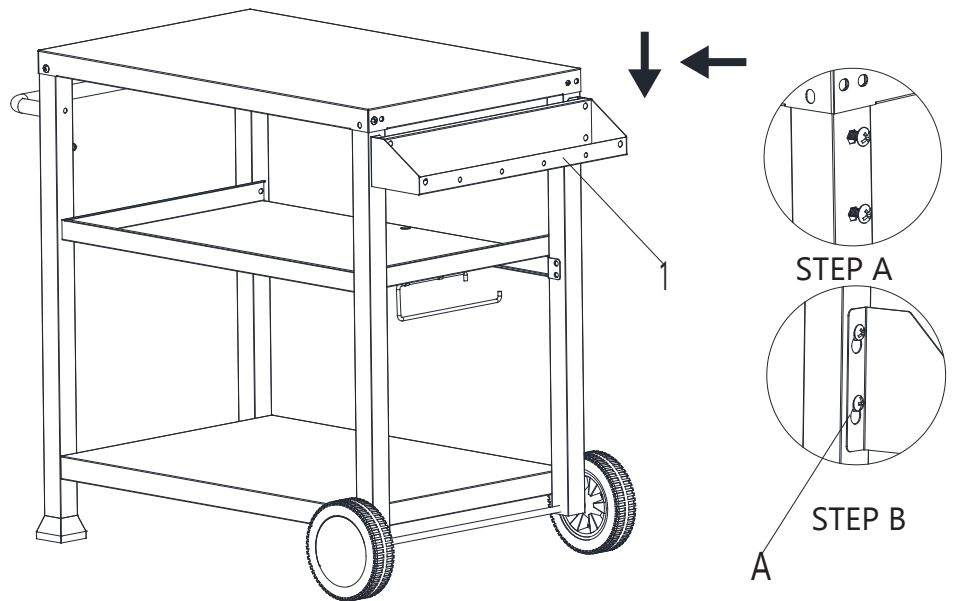
Install Side Handle (7) to right side of cart, using two Screw M6 x 55 (B) and two washer (F).



STEP 8

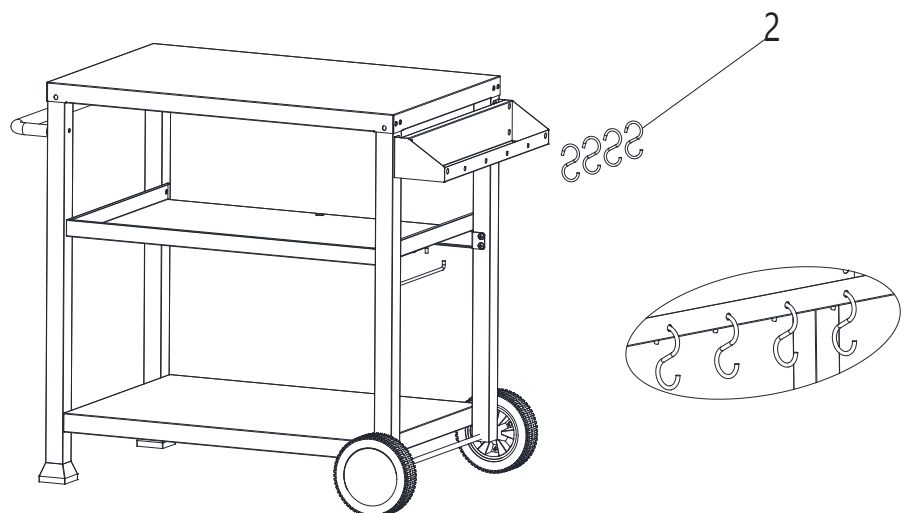
Install four screw M6 x 15 (A) to left front and left back leg, do not tighten the screws.

Then hook the condiment holder (1) on the screw, tighten all screws.



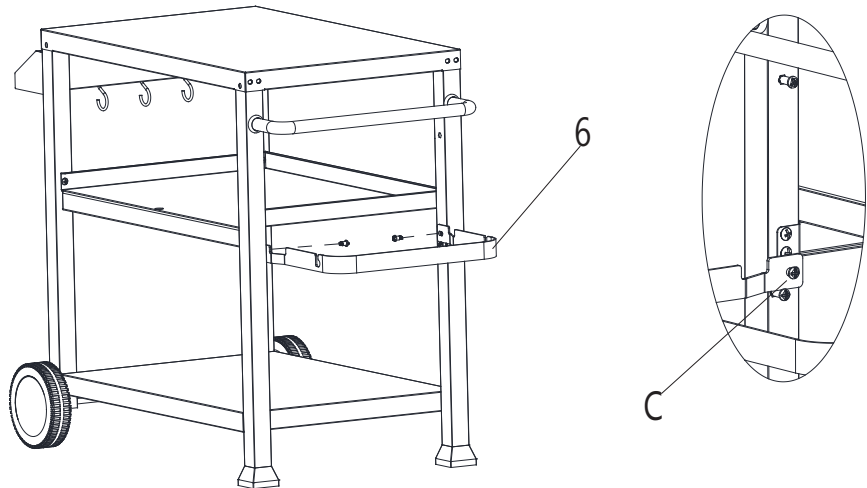
STEP 9

Put four S hooks (2) to condiment rack

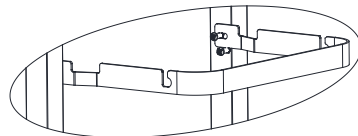


STEP 10

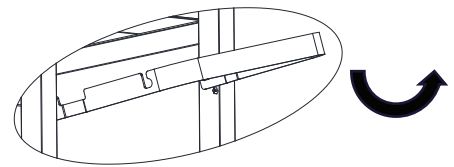
Install trash bag holder (6) to right front & back legs, using two Step Screw M6 (C)



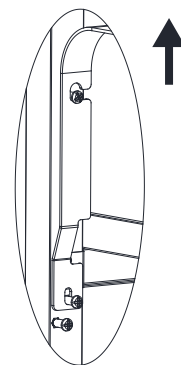
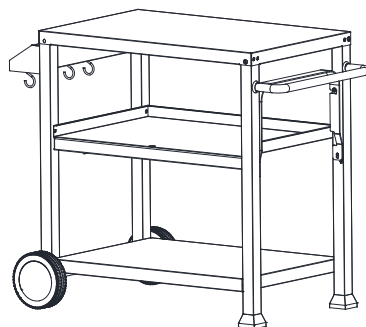
Fold Up: Lift the bracket and push down



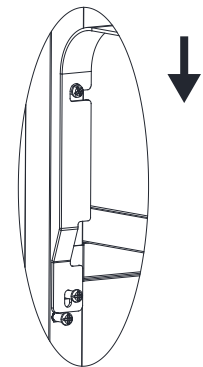
STEP 1



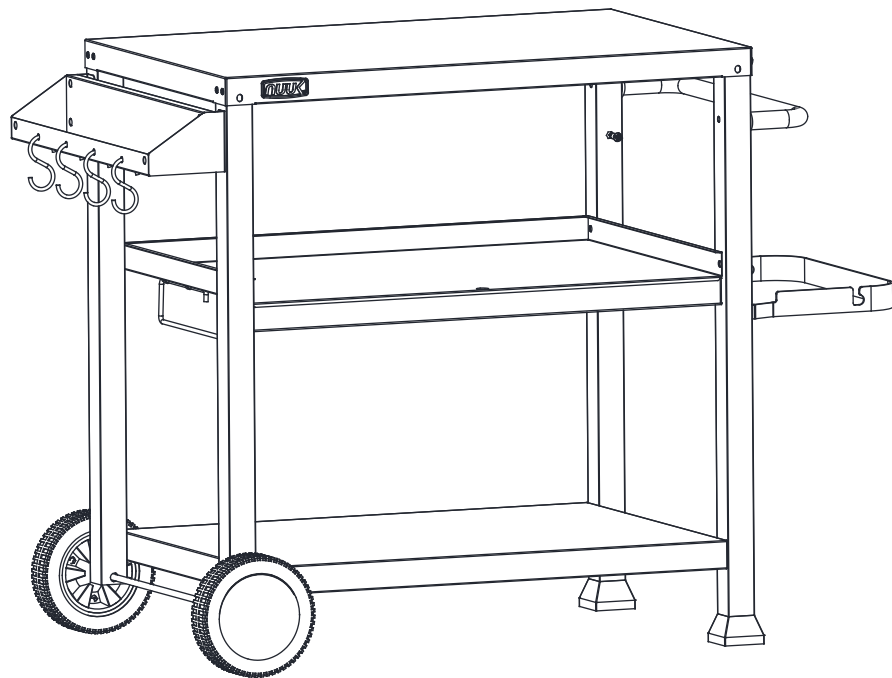
STEP 2



STEP 3



STEP 4





Warranty

NUUK LLC (NUUK USA) 1-YEAR WARRANTY

Proof of purchase is required to access this warranty program, which is in effect from the date of purchase.

NUUK USA warranty covers one year from the date of purchase. NUUK will assist you to get the replacement parts, replace the unit. All warranties are limited to the original purchase only. This warranty does not cover any liability for used good purchase. The purchaser must follow the usage instruction.

Warranty Provisions

- This warranty is non-transferable and does not cover failure due to misuse, improper installation or maintenance.
- This warranty is for replacement of defective parts only. We are not responsible for incidental or consequential damages or labor costs.
- This warranty does not cover damage caused by abrasive or chemical cleaners, or any damage to other components used in the installation or operation of the table.
- Paint is not warranted and may require touch-up.



NUUK customer service team

Phone: 1-800-719-8199
Monday through Friday
9:00 am to 5:00 pm, Eastern Time Zone

Email: service@nuukusa.com

NUUK USA
nuukusa.com