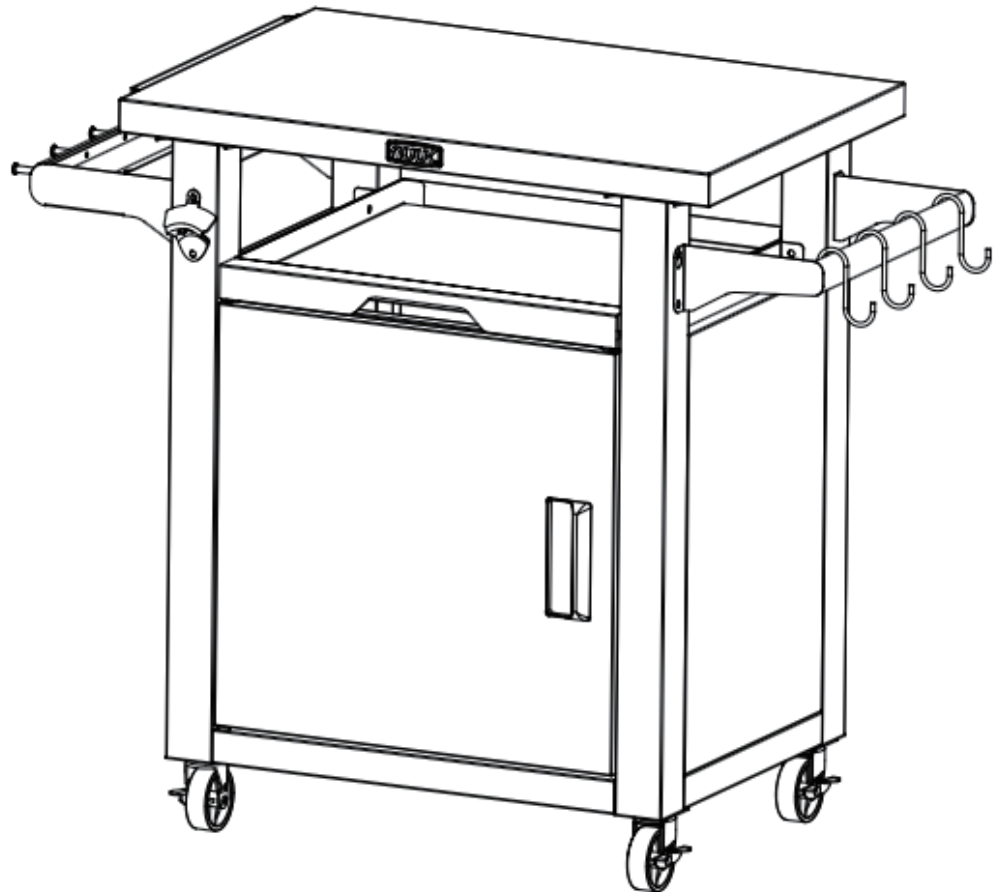




Deluxe 30in Outdoor Kitchen Prep Station



Model: MC710

SKU: 40012

NUUK USA
nuukusa.com



Table of Contents

It is the consumer's responsibility to see that the unit is properly assembled, installed, and maintained. Failure to follow the instructions in the manual could result in bodily injury and/ or property damage

Table of Contents	- page 2
Safety Information	- page 3
Customer Support Care and Maintenance	- page 4
Exploded View	- page 5
Parts	- page 6
Hardware and Assembly Instructions	- page 7
Assembly Instructions	- page 8 – 15
Finished Product	- page 16
Warranty	- page 17



Safety Information

IMPORTANT: ALL INSTRUCTIONS AND SAFEGUARDS IN THIS SECTION MUST BE FOLLOWED TO PREVENT DAMAGE AND/OR INJURY.

- Not for permanent installation.
- For outdoor use only
- Use caution with all electric appliances, tools, extension cords and lights on and around table.
- Surface can become hot in direct sun or high temperatures.
- Maximum top weight load of 100 LBS
- Maximum shelf weight load of 30 LBS
- Use only on level surfaces.
- Before use ensure wheels are height adjusted so that the table does not rock when in use.
- Lock wheels when in use.
- Do not allow children to climb the product.

CALIFORNIA PROPOSITION 65 WARNING

WARNING: This product can expose you to lead, which is known to the State of California to cause cancer and birth defects or other reproductive harm. For more information go to www.P65warnings.ca.gov



Customer Support

**HAVE PROBLEM / QUESTION/ CONCERN
NO WORRY!**

Our Customer Service Staff is Here To Help You!

For questions regarding your NUUK products, installation, replacement parts or your warranty, please contact

NUUK customer service team.

Phone: 1-800-719-8199
Monday through Friday
9:00 am to 5:00 pm, Eastern Time Zone

Email: service@nuukusa.com

Care and Maintenance

CLEANING

Painted and Plastic Surface

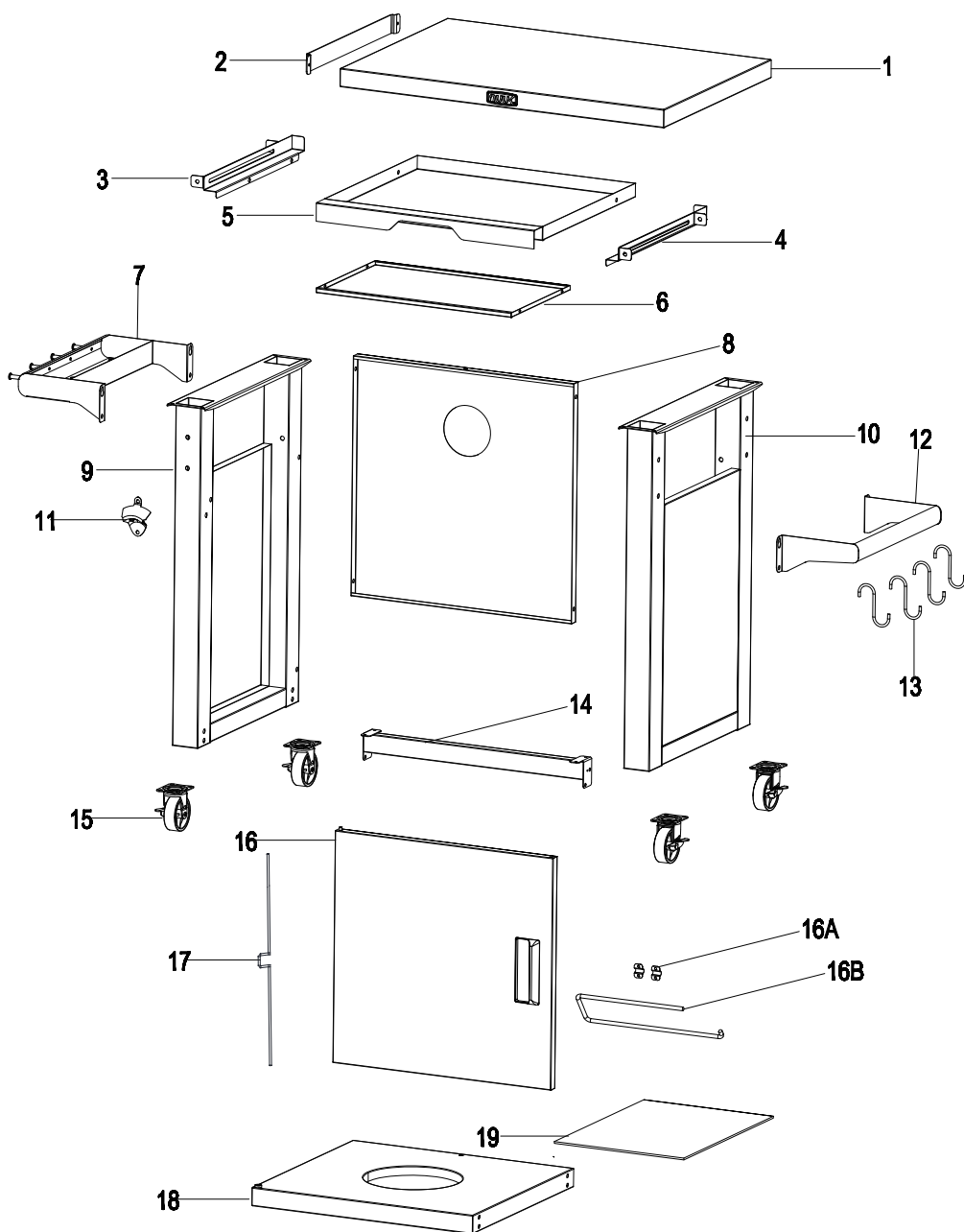
Wash with mild detergent or non-abrasive cleaner and warm Water.

Stainless Steel Surface

Wash with mild detergent and warm soapy water or use stainless steel cleaner. Wipe dry with a soft cloth after each use.

Wash only in the direction of the stainless brushed finish to avoid damage.

Stainless steel can rust under certain conditions. This can be caused by acidic marinades, chlorine, saltwater, exposure to coastal climates, other natural elements, or improper cleaning tools such as wire or steel wool.


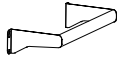


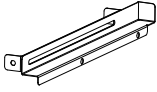

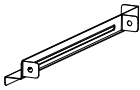


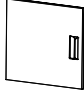








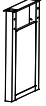




If you find any missing parts, damage parts, please contact NUUK

Phone: 1-800-719-8199
Monday through Friday
09:00 am to 05:00 pm, Eastern Time Zone

Email: service@nuukusa.com

NUUK™ Parts

PART		DESCRIPTION	QTY	PART		DESCRIPTION	QTY
1		Countertop	1	12		Cart Handle	1
2		Tools Holder	1	13		"S" Hook	4
3		Middle Shelf Rail-L	1	14		Front Beam	1
4		Middle Shelf Rail-R	1	15		Caster Wheel	4
5		Middle Shelf	1	16		Front Door	1
6		Sealing Plate	1	16A		Paper Towel Holder Base	2
7		Condiment Tray	1	16B		Paper Towel Holder	1
8		Back Panel	1	17		Door Axle	1
9		Leg-L	1	18		Bottom shelf	1
10		Leg-R	1	19		PVC Liner	1
11		Bottle Opener	1				

Hardware and Assembly Instructions

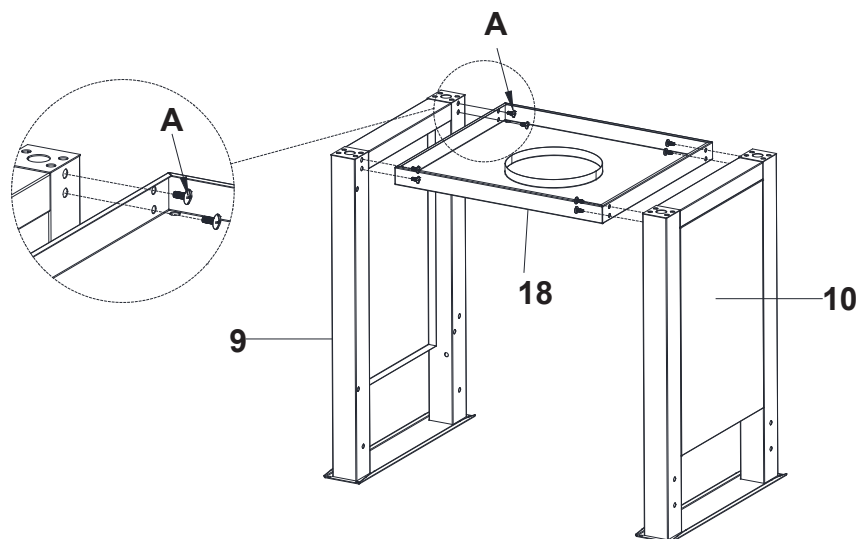
Hardware

PART		DESCRIPTION	QTY	PART		DESCRIPTION	QTY
A		Bolt M6x12	57	B		Bolt M4x12	4
C		Bolt M3x10	2	D		Door Magnet	1
E		Axle Holder	1	F		M5 Step Screw	2
G		Nut M5	2	H		Flat Washer	2
I		Bolt M6x25	1	J		Washer	1

A x 8

STEP 1

Connect Leg-R (10) and Leg-L (9) to bottom shelf (18), using 8 pcs Bolt M6 x 12 (A)

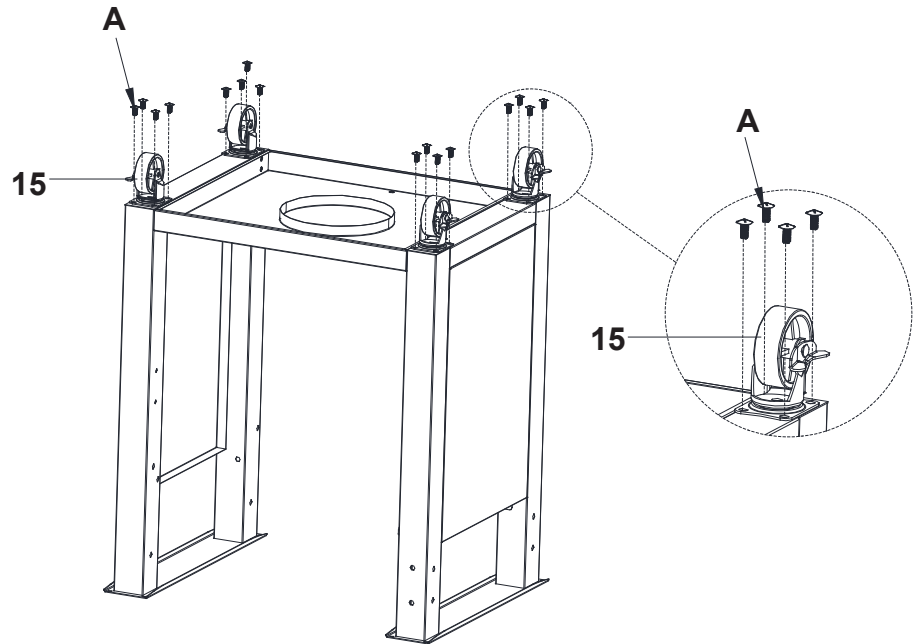




A x 16

STEP 2

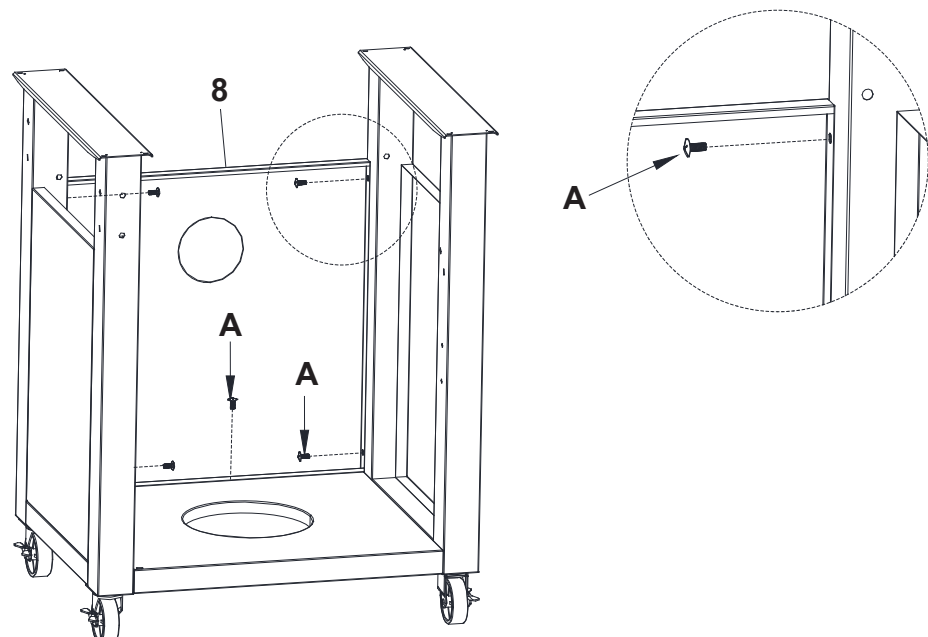
Attach 4 casters (15) onto leg, using 16 pcs Bolt M6 x 12 (A)



A x 5

STEP 3

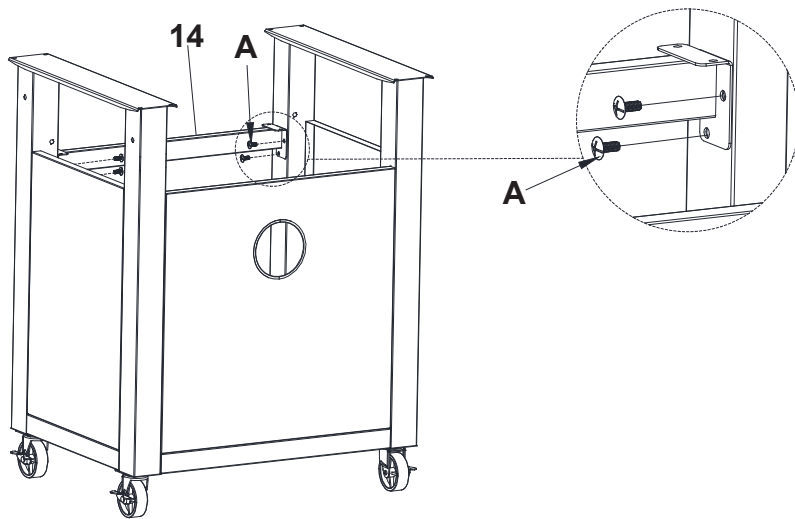
Install back panel (8), using 5 pcs Bolt M6 x 12 (A)



 **A x 4**

STEP 4

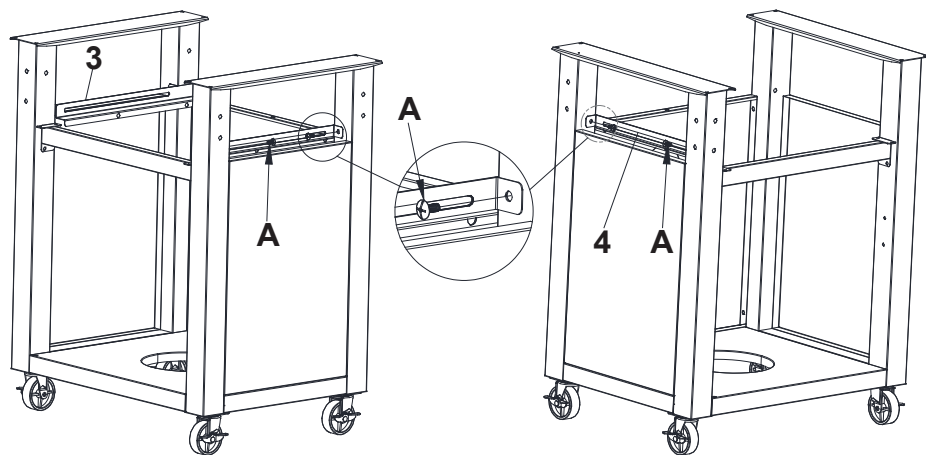
Install front beam (14) to connect legs, using 4 pcs Bolt M6 x 12 (A)



 **A x 4**

STEP 5

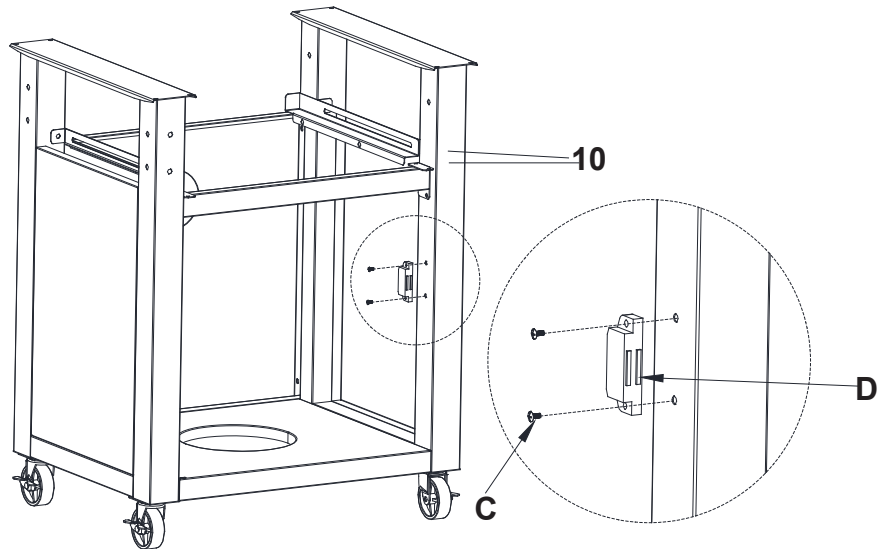
Attach middle shelf rail (3) & (4) onto legs, using 4 pcs Bolt M6 x 12 (A)



 **C x 2**

STEP 6

Attach door magnet (D) on front of leg (10), using 2 pcs Bolt M3x10

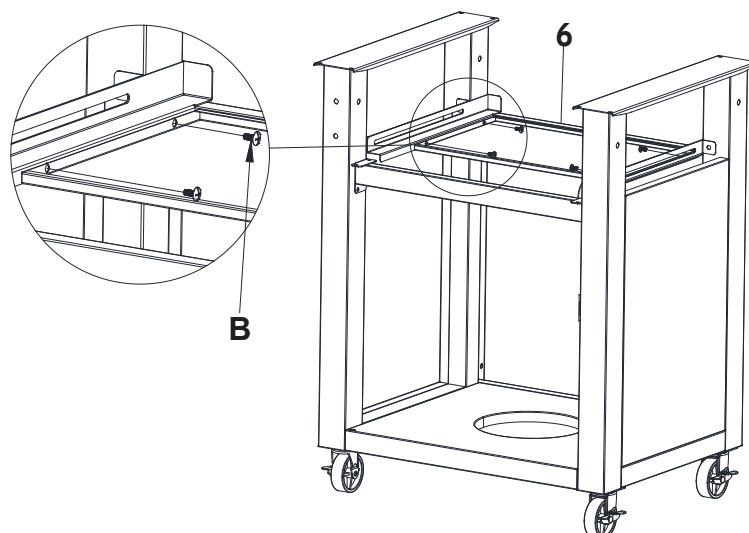


 **B x 4**

STEP 7

Install sealing plate (6) onto middle shelf rail by 4 pcs Bolt M4x12

NOTE: Line up from back of cart.



 **E x 1**

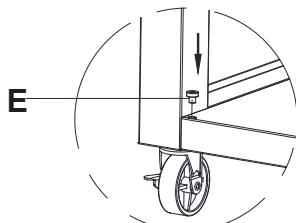
STEP 8

Insert axle holder (E) into the hole on bottom shelf (front left corner of bottom shelf).

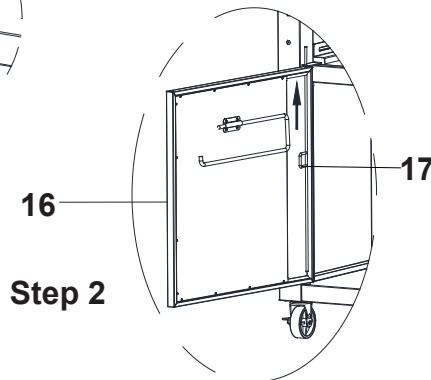
Hold front door (16) on the position, then insert axle (17) follow below.

instruction:

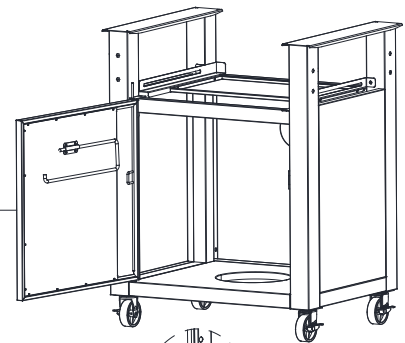
- Step 1
- Step 2
- Step 3



Step 1



Step 2



Step 3

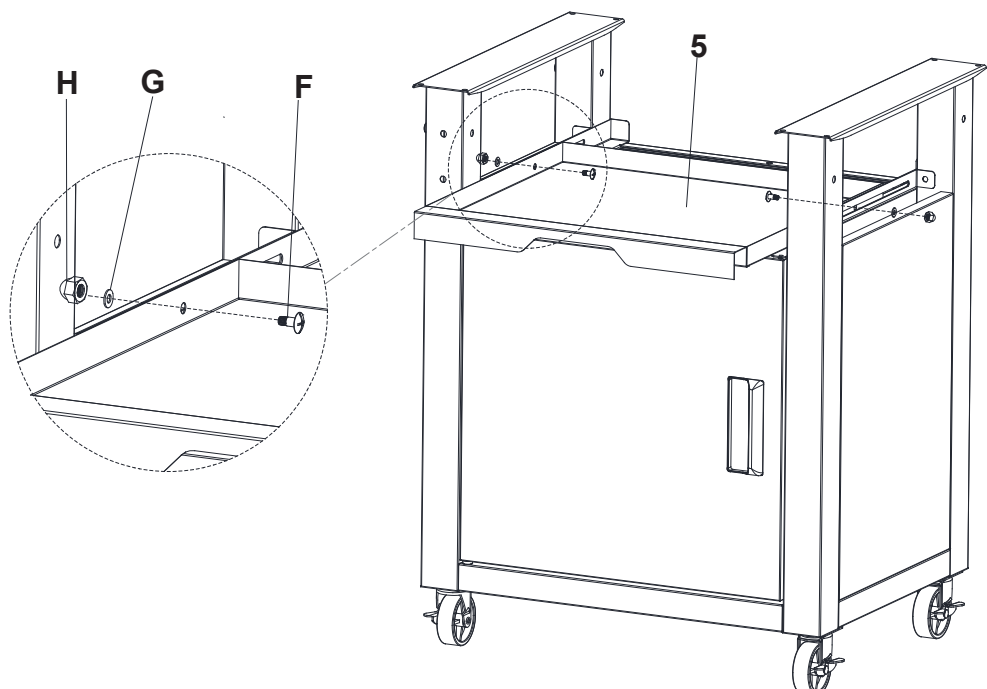
 **F x 2**

 **G x 2**

 **H x 2**

STEP 9

Slide in middle shelf (5), using 2 pcs M5 Nut (G) and 2 pcs Flat Washer (H) to secure on the rail.



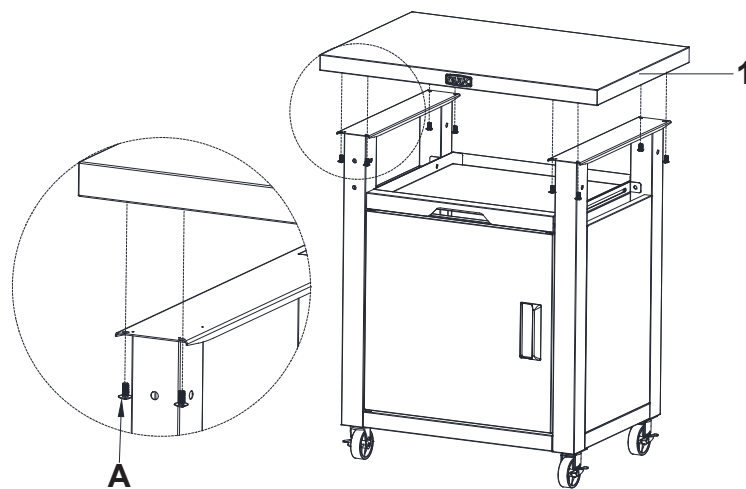


A x 8

STEP 10

Install countertop (1) onto the assembled, using 8 pcs of Bolt M6 x 12 (A)

NOTE: Logo side face to front



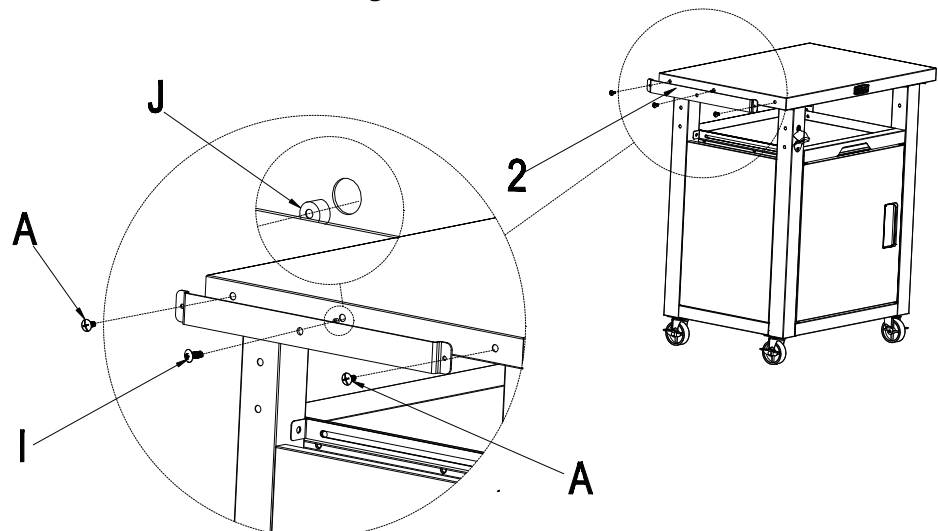
STEP 11

Attach tools holder (2) onto left side of countertop, using 2 pcs of Bolt M6 x 12 (A).

Please do not tighten the screw right now!

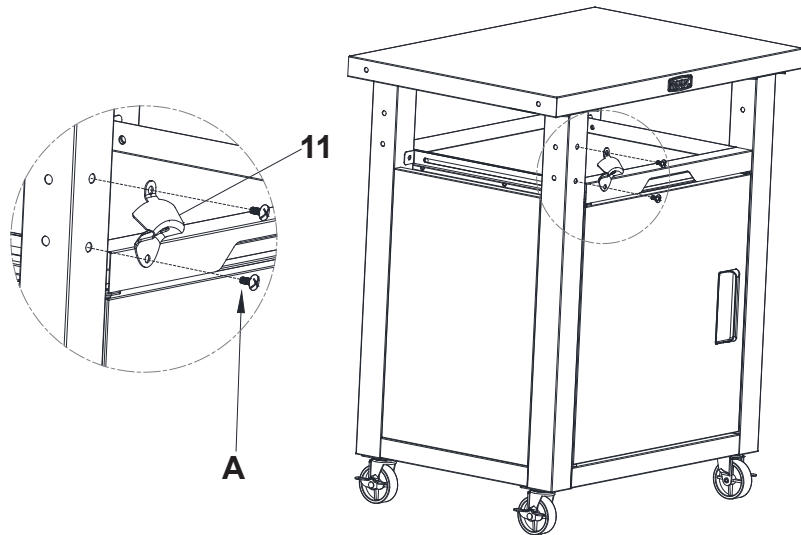
Insert Washer(J) at the middle of holder, line the hole, using Bolt M6 x 25 (I) to secure the washer.

NOTE: Please tighten all three screws at this time.



STEP 12

Attach bottle opener (11) onto front of left leg, using 2 pcs Bolt M6 x 12 (A)

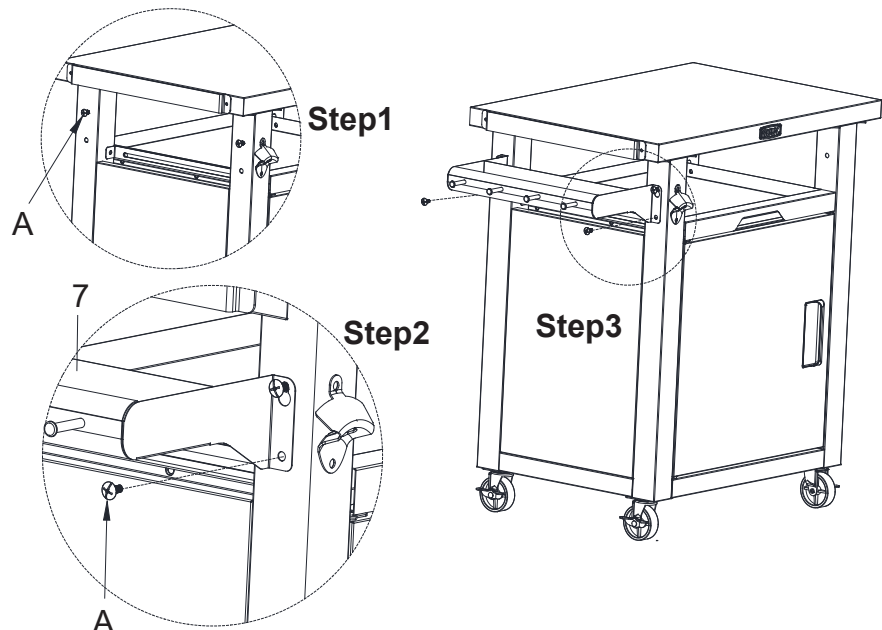


STEP 13

Pre-assemble 2 pcs Bolt M6x12 (A) onto left side leg, DO NOT TIGHTEN THE BOLT

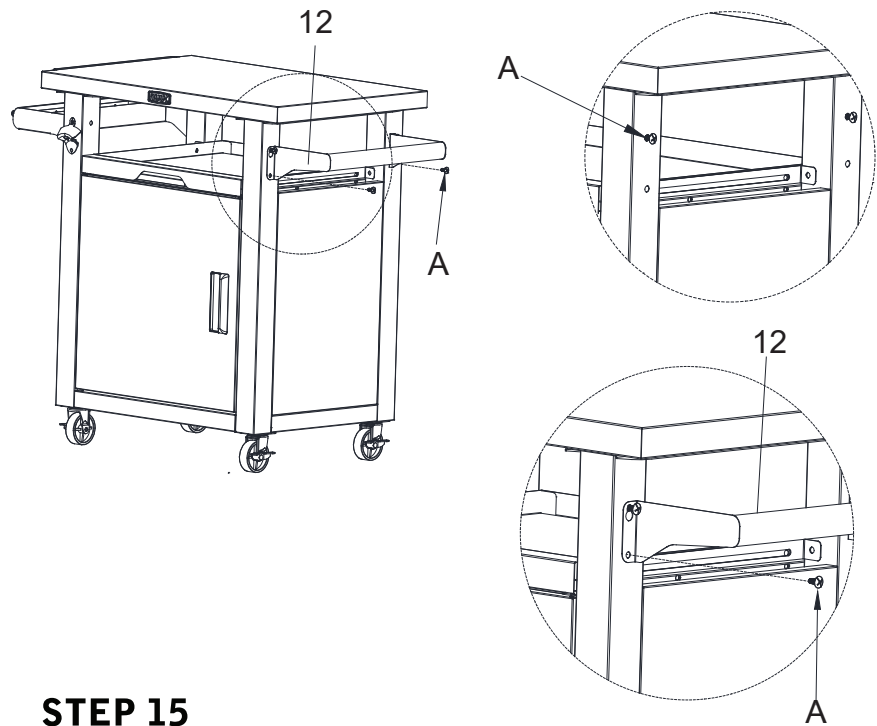
Hang condiment tray (7) on those pre-assemble bolt, then secure the tray by another 2pcs Bolt M6x12 (A)

Tighten all 4 pcs bolts

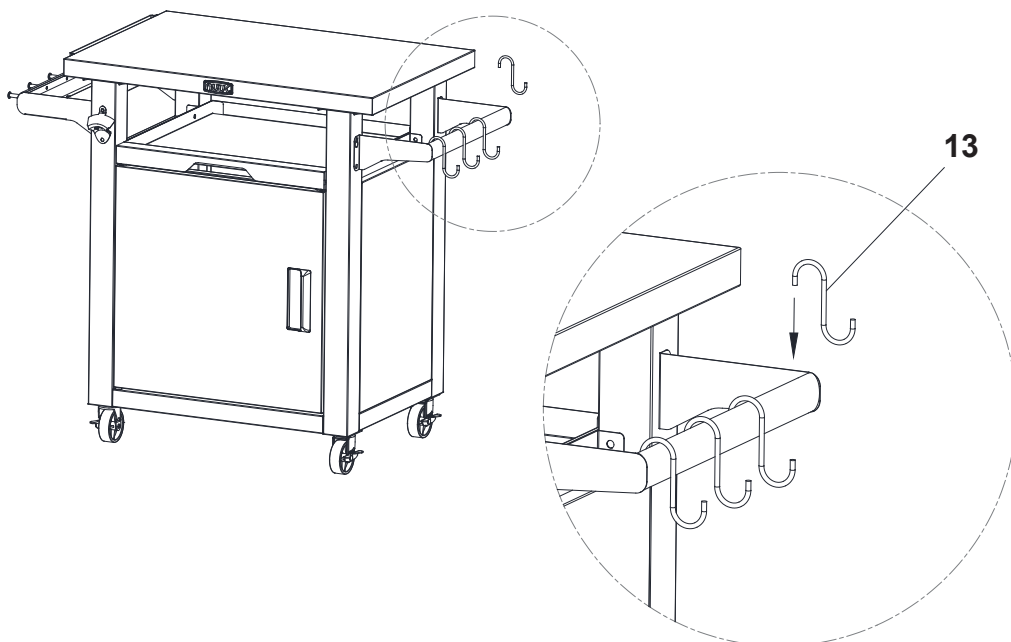


STEP 14

Attach cart handle (12) onto right side of cart, using 4 pcs of Bolt M6x12 (A)

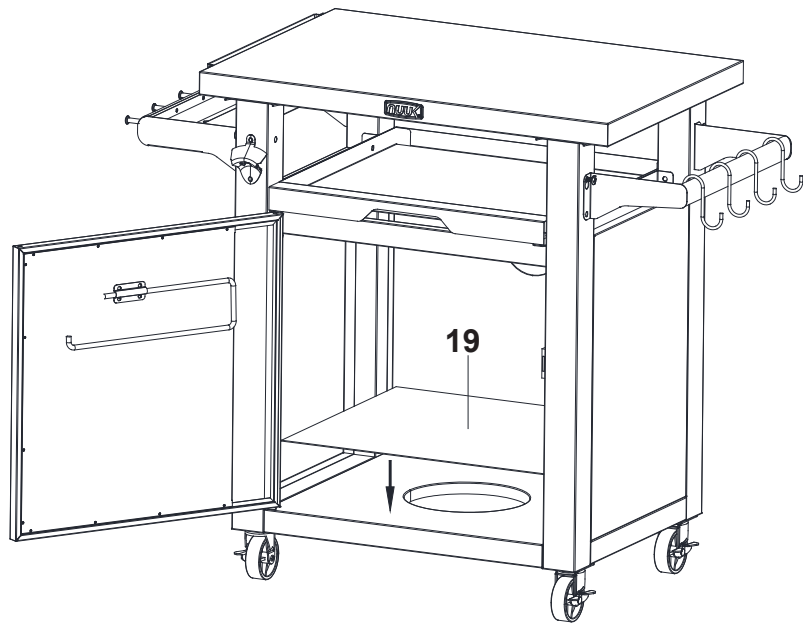
**STEP 15**

Place S hooks (13) on cart handle

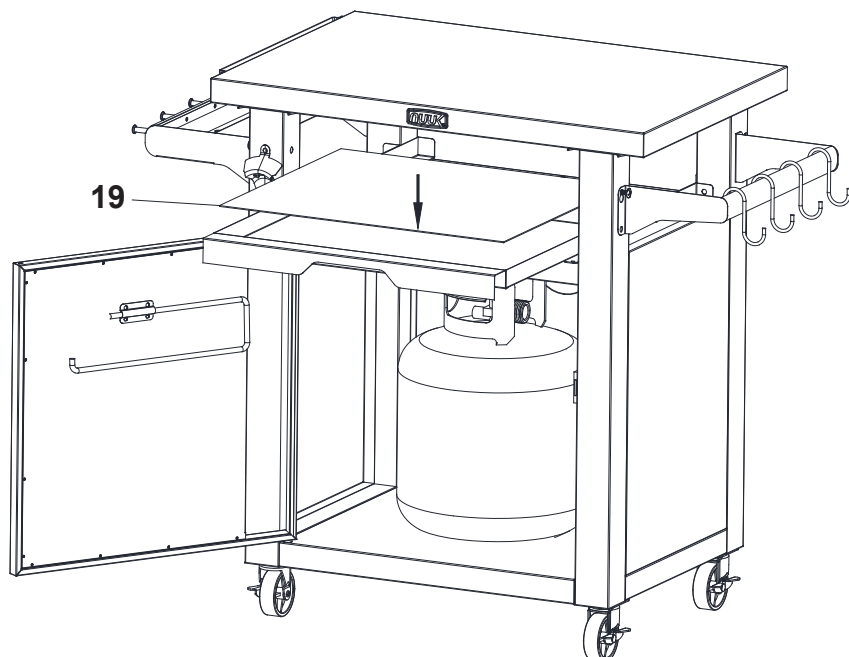


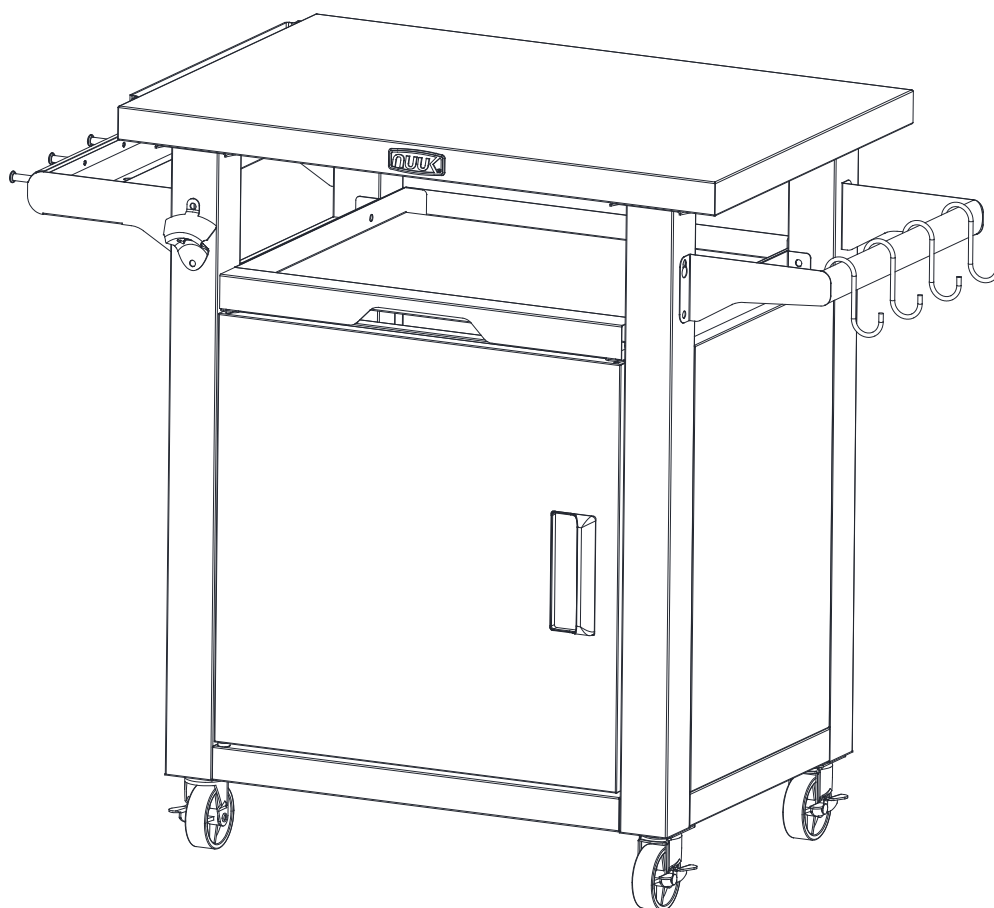
STEP 16A

Place PVC Liner (19) on the bottom shelf.
Cover the tank hole, avoid missing during moving cart

**STEP 16B**

When you keep propane tank inside the cart, please
move the PVC liner (19) to slide middle shelf.





NOTE :
For Model: MC710 (SKU: 40012)



Warranty

NUUK LLC (NUUK USA) 1-YEAR WARRANTY

Proof of purchase is required to access this warranty program, which is in effect from the date of purchase.

NUUK USA warranty covers one year from the date of purchase. NUUK will assist you to get the replacement parts, replace the unit. All warranties are limited to the original purchase only. This warranty does not cover any liability for used good purchase. The purchaser must follow the usage instruction.

Warranty Provisions

- This warranty is non-transferable and does not cover failure due to misuse, improper installation or maintenance.
- This warranty is for replacement of defective parts only. We are not responsible for incidental or consequential damages or labor costs.
- This warranty does not cover damage caused by abrasive or chemical cleaners, or any damage to other components used in the installation or operation of the table.

- Paint is not warranted and may require touch-up.



NUUK customer service team

Phone: 1-800-719-8199
Monday through Friday
9:00 am to 5:00 pm, Eastern Time Zone

Email: service@nuukusa.com

NUUK USA
nuukusa.com